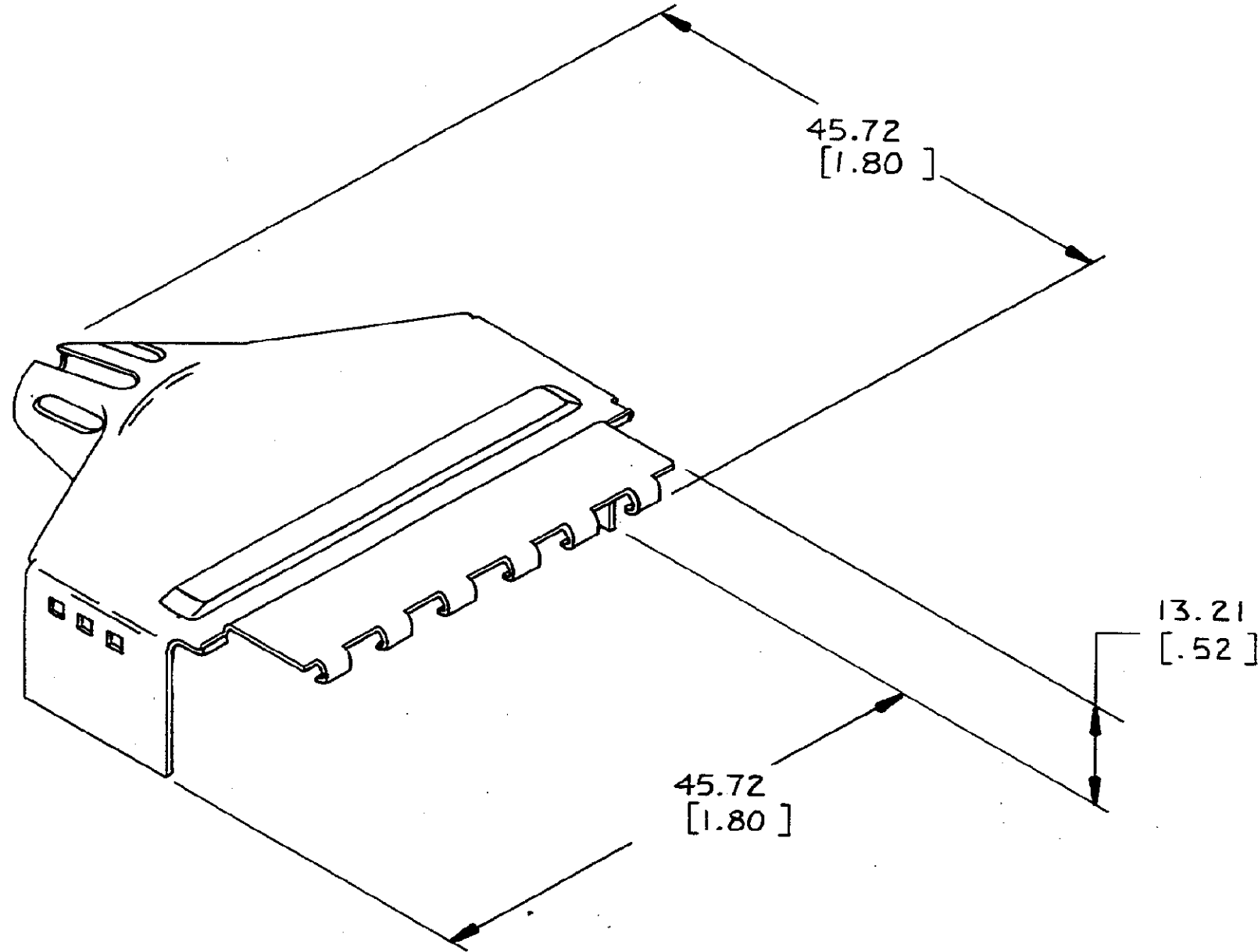


THIS DRAWING IS UNPUBLISHED. RELEASED FOR PUBLICATION . 19
 © COPYRIGHT 19 BY AMP INCORPORATED, HARRISBURG, PA. ALL INTERNATIONAL RIGHTS RESERVED. AMP PRODUCTS MAY BE COVERED BY U.S. AND FOREIGN PATENTS AND/OR PATENTS PENDING.

REVISIONS				DATE	APPROVED
P	F	ZONE	LTR	DESCRIPTION	
0	2		U	RLSD; NPI C83-144	9-8-83 SP m3

1. DIMENSIONS IN BRACKETS [] ARE IN INCHES.
2. CABLE RANGE: .250-.500 DIA.



554256-1 AS SHOWN

554256

UNLESS OTHERWISE SPECIFIED DIMENSIONS ARE IN MM TOLERANCES ON: DECIMALS = ANGLES =		CONTRACT NO	AMP AMP INCORPORATED Harrisburg, Pa. 17105		
MATERIAL	CARBON STEEL	DR <i>S. Pozobanchuk</i> 9-8-83	NAME SHIELD, OUTSIDE, EMI, 180° PLUG, 36 POSITION		
FINISH	BRIGHT NICKEL PLATE	CHK <i>MD</i> 9-9-83	APPD <i>Wayne Peck</i> 9/18/83	APPD	
		DSGN APPD	SIZE C	FSCM NO 00779	DRAWING NO 554256
		OTHER APPD	SCALE 2:1	SHEET 1 OF 1	



CUSTOMER DRAWING