

4

3

2

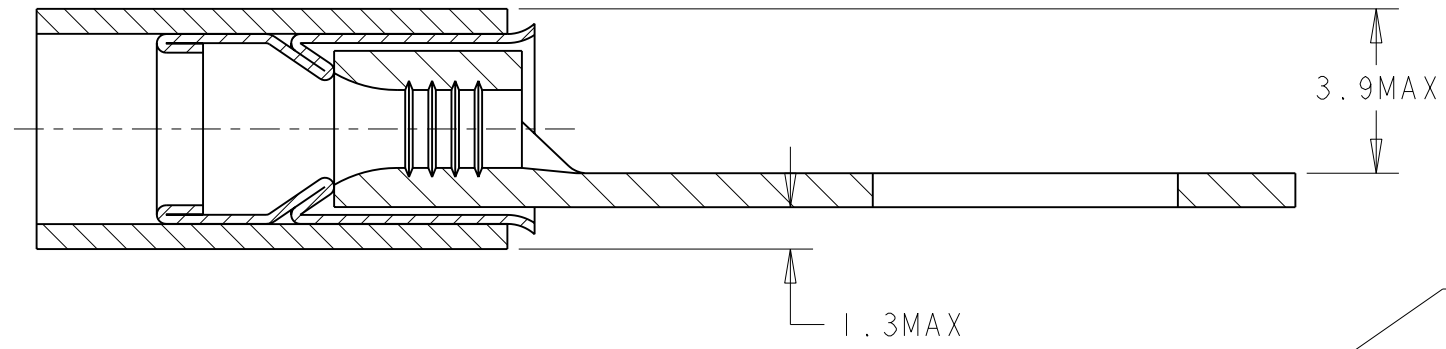
1

THIS DRAWING IS UNPUBLISHED. RELEASED FOR PUBLICATION 20  
 © COPYRIGHT 20 BY TYCO ELECTRONICS CORPORATION. ALL RIGHTS RESERVED.

LOC	DIST	REVISIONS			
P	LTR	DESCRIPTION	DATE	DWN	APVD
F	00	B	09JUN2006	JJD	YP
		C	26OCT2007	JT	GR

D

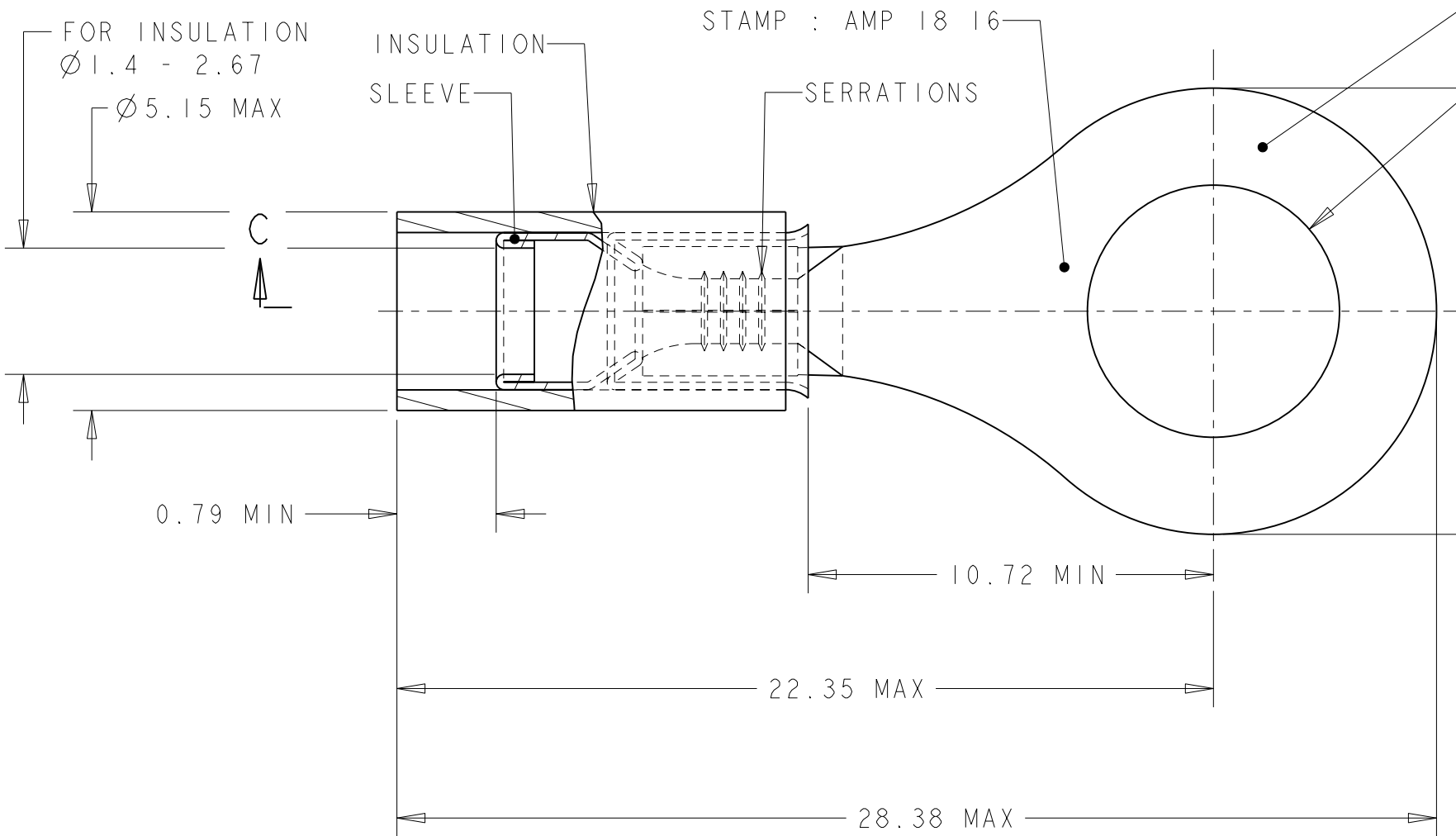
COUPE C-C



C

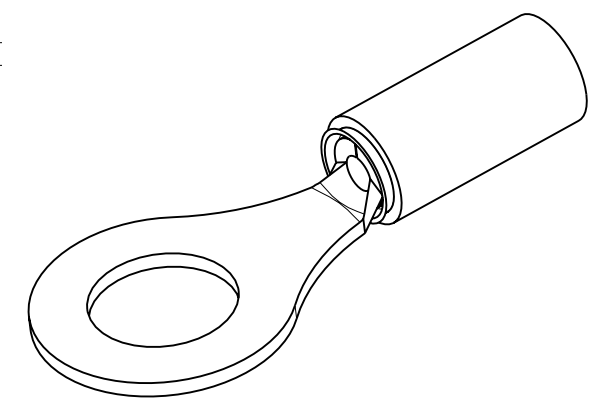
B

A



BODY 0.80±0.03 TONGUE THICKNESS

Ø 6.74±0.13 FOR 1/4 STUD



SCALE 3:1

WIRE TERMINAL	1577634-1	BODY : COPPER ANNEALED FINISH : NICKEL PLATED
		SLEEVE : COPPER ANNEALED FINISH : NICKEL PLATED
		INSULATION : PEEK COLOR : ORANGE
DESCRIPTION	PART NUMBER	MATERIAL & FINISH

DIMENSIONS: mm 		TOLERANCES UNLESS OTHERWISE SPECIFIED: 0 PLC ±- 1 PLC ±0.3 2 PLC ±- 3 PLC ±- 4 PLC ±- ANGLES ±5 FINISH SEE TABLE		DWN JJ. DESPRETZ 22FEB2006 CHK G. ROBERT 22FEB2006 APVD Y. PETRONIN 22FEB2006 PRODUCT SPEC 108-15356 APPLICATION SPEC 114-15102 WEIGHT 1,34 gr	<b>tyco</b> <b>Electronics</b> Tyco Electronics France SAS 95300 Pontoise, France	NAME TERMINAL, PEEK PIDG STRATO, 18-16 AWG	SIZE A3 CAGE CODE 00779 DRAWING NO C-1577634	RESTRICTED TO -
MATERIAL SEE TABLE		FINISH SEE TABLE		CUSTOMER DRAWING		SCALE 6:1	SHEET 1 OF 1	REV C