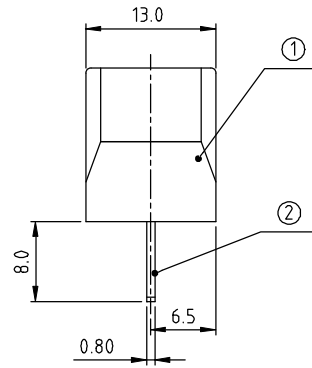
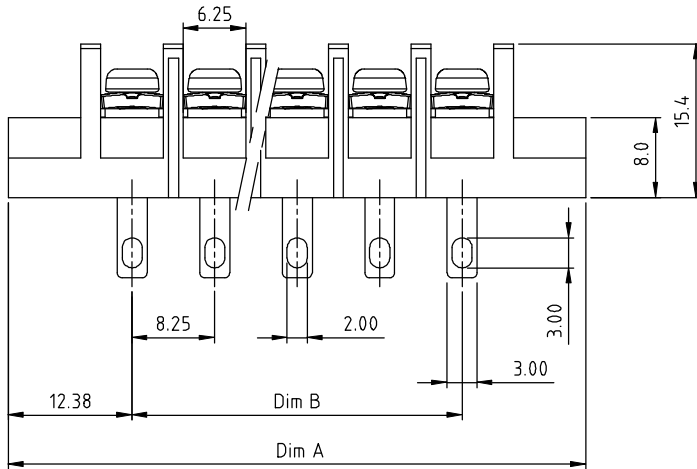
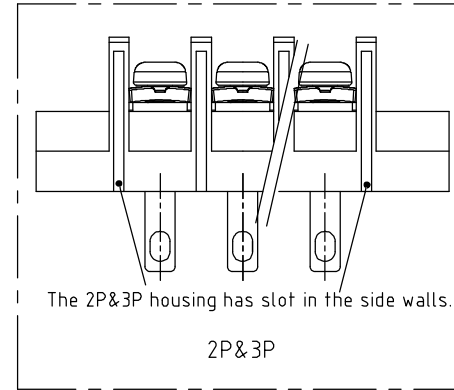
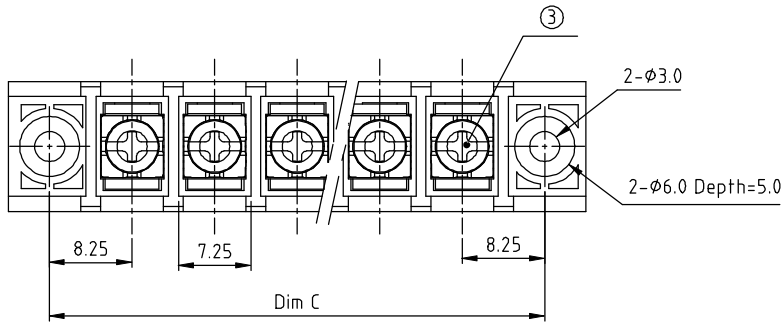


|                |         |
|----------------|---------|
| PRODUCT NUMBER | PITCH   |
| YK403xx3x0J0G  | 8.25 mm |



MATERIALS ELECTRICAL  
 RATED VOLTAGE & CURRENT: 300 V, 20 A  
 WITHSTAND VOLTAGE: AC 2000 V/Min  
 INSULATION RESISTANCE: 1000 MΩ OR MORE AT DC 500 V  
 OPERATING TEMPERATURE RANG: -40 °C ~ +115 °C  
 SCREW TORQUE VALUE: 7 Lb-In.  
 WIRE RANGE: 22 - 12 AWG  
 1) HOUSING: Thermoplastic , UL 94 V-0 BLACK  
 2) TERMINAL: BRASS, 0.8t  
 3) TERMINAL SCREWS: STEEL, M3  
 APPROVAL: us

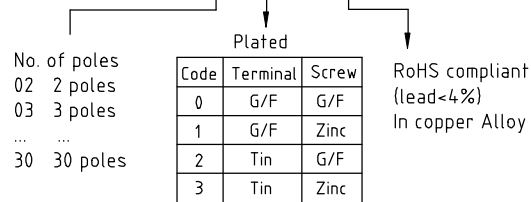
DIMENSION

|       |            |
|-------|------------|
| Dim A | (N+2)×8.25 |
| Dim B | (N-1)×8.25 |
| Dim C | (N+1)×8.25 |

N=Number of poles

| Poles   | Tolerance |
|---------|-----------|
| 2p-4p   | ±0.30     |
| 5p-8p   | ±0.40     |
| 9p-16p  | ±0.50     |
| 17p-23p | ±0.60     |
| 24p-30p | ±0.80     |

PART NO.: YK 403xx 3 x 0 JOG



No. of poles  
 02 2 poles  
 03 3 poles  
 ... ..  
 30 30 poles

| Code | Terminal | Screw |
|------|----------|-------|
| 0    | G/F      | G/F   |
| 1    | G/F      | Zinc  |
| 2    | Tin      | G/F   |
| 3    | Tin      | Zinc  |

RoHS compliant  
 (lead<4%)  
 In copper Alloy

|                    |  |                |  |                                       |  |                      |  |            |  |                           |  |
|--------------------|--|----------------|--|---------------------------------------|--|----------------------|--|------------|--|---------------------------|--|
| mat'l. code        |  |                |  | surface ASME Y14.5 ✓                  |  | tolerance ASME Y14.5 |  | projection |  | product family            |  |
| ltr ecn no dr date |  |                |  | tolerances unless otherwise specified |  | angles               |  | MM         |  | TERMINAL BLOCK            |  |
|                    |  |                |  | X±0.5                                 |  | X.X±0.3              |  |            |  | title                     |  |
|                    |  |                |  | X'±1"                                 |  | X.XX±0.1             |  | scale      |  | TERMINAL BLOCK            |  |
|                    |  |                |  | dr EVAN LU 061014                     |  | enr EVAN LU 061014   |  | FCI        |  | BARRIER TYPE, WITH FLANGE |  |
|                    |  |                |  | chr HANKE FENG 061014                 |  | appd SHI JUN 061014  |  |            |  | dwg no sheet 1 of 1 size  |  |
|                    |  |                |  |                                       |  |                      |  |            |  | YK403xx3x0J0G A4          |  |
|                    |  |                |  |                                       |  |                      |  |            |  | type CUSTOMER Drawing     |  |
| sheet index        |  | revision sheet |  | A 1                                   |  |                      |  |            |  |                           |  |