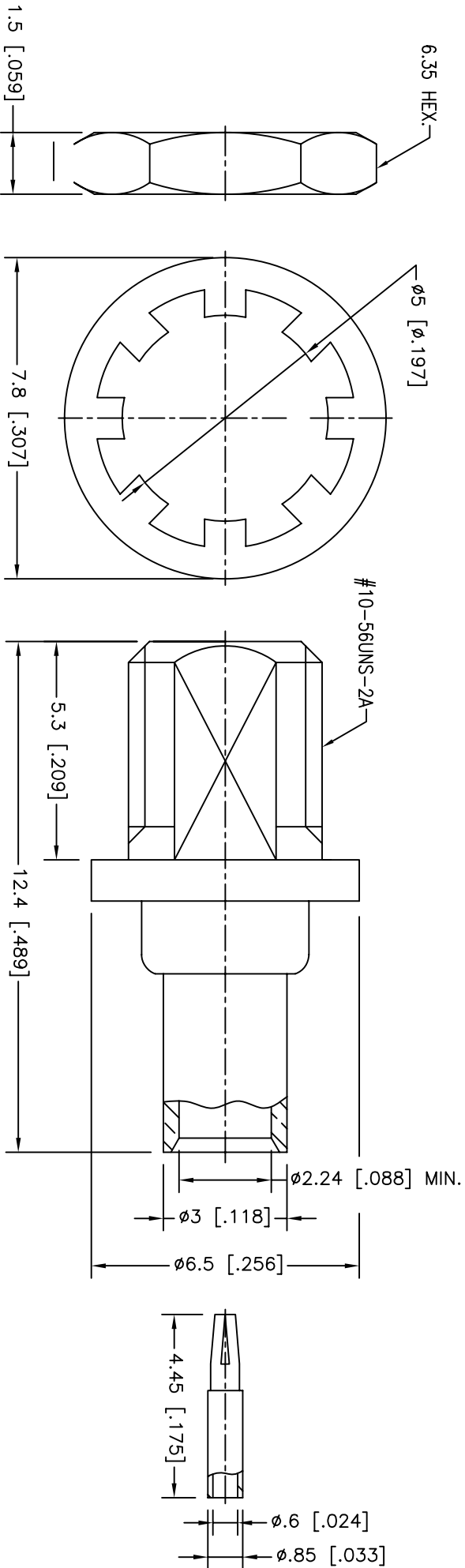
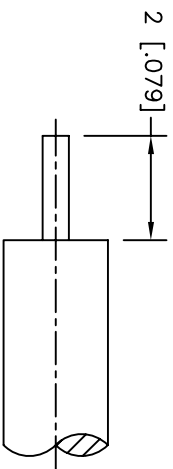
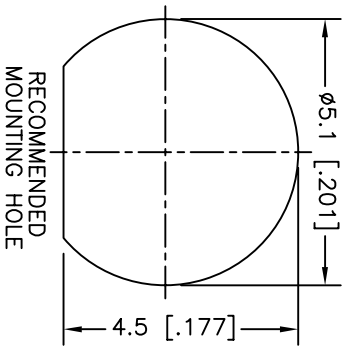


REV.	DATE	ECR NO.	DESCRIPTION
NC	05/16/99	-	INITIAL RELEASE
A	02/19/07	--	UPDATE DRAWING FORMAT
B	02/25/10	2024	THE DIMENSION 5.3 WAS 5.8.



QTY	FINISH	MATERIAL	DESCRIPTION
1	GOLD	BRASS	HEX NUT
1	GOLD	BRASS	LOCK WASHER
1	GOLD	BERYLLIUM COPPER	CONTACT PIN
1	GOLD	BRASS	BARREL
1	NATURAL	PTFE	INSULATOR
1	GOLD	BRASS	BODY

UNLESS OTHERWISE SPECIFIED, DIMENSIONS ARE IN INCHES AND FOR CUSTOMER REFERENCE ONLY.
 UNLESS OTHERWISE SPECIFIED, TOLERANCES FOR MILLIMETERS ARE:
 0.5 - 8mm ± 0.20mm
 8 - 30mm ± 0.40mm
 30 - 120mm ± 0.50mm
 UNLESS OTHERWISE SPECIFIED, TOLERANCES FOR INCHES ARE:
 .020 - .315 = ± 0.007"
 .315 - 1.180 = ± 0.015"
 1.180 - 4.724 = ± 0.020"

APPROVALS	DATE
DRAWN C. WANG	02/25/10
CHECKED	
ISSUED	
SHEET 1 OF 1	

Amphenol Connex

MMCX BULKHEAD SEMI-RIGID JACK
 (FOR 085", 086")

PART NO. 262124

DWG. NO. 262124.DWG

REV. B SIZE A SCALE NA