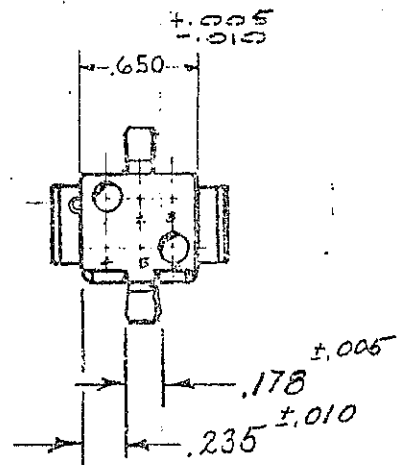
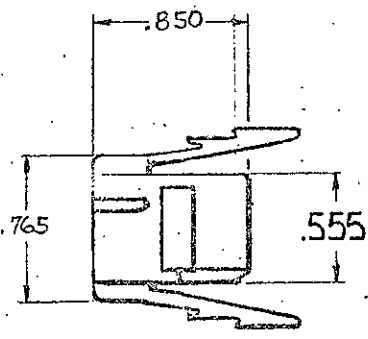
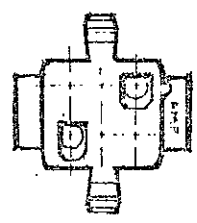


PART NUMBER
480273



| HOUSING N° | COLOR |
|------------|---------|
| 1-480273-0 | NATURAL |
| | |
| | |
| | |
| | |
| | |
| | |
| | |
| | |

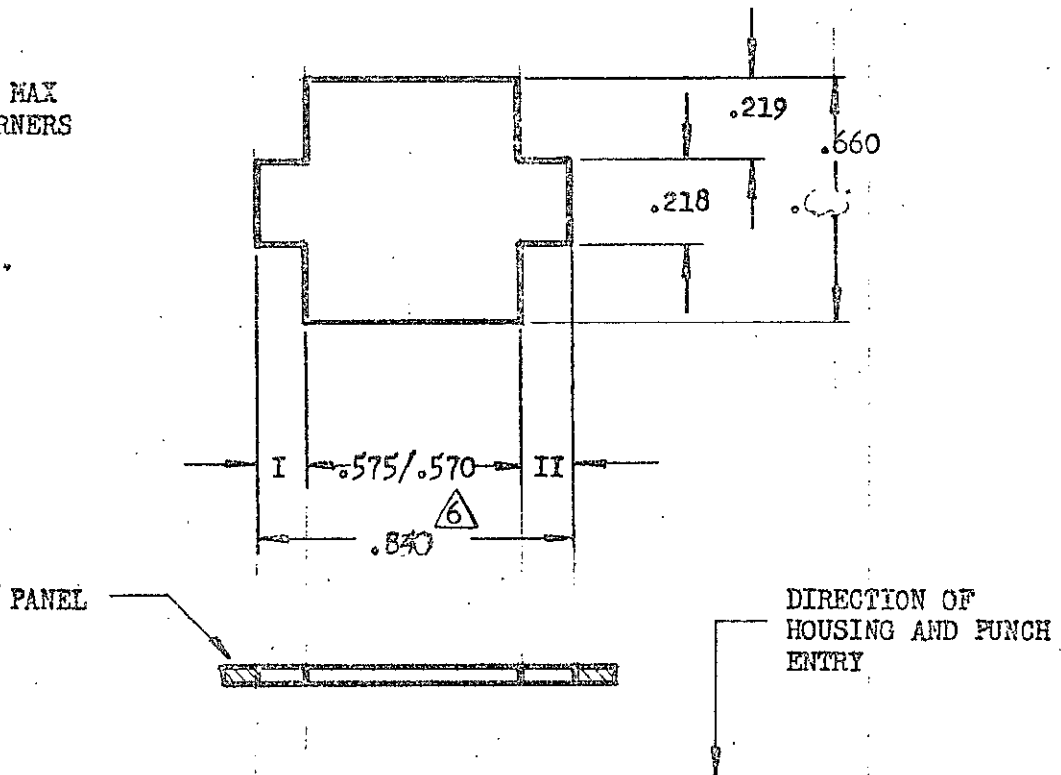
- NOTE -
 1- TO BE USED WITH MATE-N-LOK SOCKETS.
 2- TO BE USED WITH CAP HOUSING 480276.
 3- SEE SHEET III FOR MOUNTING INFORMATION.

DIMENSIONS IN INCHES. DO NOT SCALE PRINT.

| | | | | | |
|---------|-------------------------|-----|-------------|---|--|
| REV PER | 0618-006-91 | KW | 6-4-09 | ©1969 BY AMP INCORPORATED. ALL RIGHTS RESERVED. AMP PRODUCTS COVERED BY PATENTS AND/OR PATENTS PENDING. MATERIAL: NYLON | AMP INCORPORATED HARRISBURG, PENNA. |
| AH | REV PER EC 0730-0155-95 | JH | RS | | |
| AG | REV PER EC 0730-0164-94 | RV | RS | 8/29/94 | CLASS .086 Socket Housing |
| AF | OBS 1-6 PER CM 2708 | TB | RS | 1/11/93 | |
| AE | REVISED PER CM-2594 | PKC | RS | 5-10-92 | WIRE RANGE: — INSULATION TYPE: PANEL MOUNT SINGLE .130 MAX DOUBLE .115 MAX |
| AD | OBS. 1-2 PER CM-890 | PH | RS | 11-24-81 | |
| LTR | REVISION RECORD | DR | CHK | DATE | TOLERANCE EXCEPT AS NOTED: ±.010 ±.010 SCALE: 1:1 LOC: CM/A NO: 480273 REV: AJ |
| PRINT | C.R. STOVER 11/4 | PE | R. Williams | 11-10-61 | NAME: 6 CIRCUIT MATE-N-LOK PLUG |
| CHK | 10/20/04 | APP | 4/21/06 | 11/1/04 | |

SHEET 3 OF 3
NUMBER 480273

.015 R MAX
ALL CORNERS



- NOTE: 1. Recommended panel thickness .025 - .025.
2. Both locking legs to be squeezed together and housing to be inserted straight-in, as opposed to a rocking manner of insertion.
3. The panel must be punched so that the housing enters the panel in the same direction as the punch.
4. Dimensions I and II to be equal within .005.
5. Panel must not have any material (paint, porcelain, etc.) applied in the mounting hole area that would decrease retention of the housing in the panel.
- ⚠️ If Notes 3 and/or 5 are not complied with, the .840 dimension should be reduced to .820 to assure proper housing retention in the panel.

DIMENSIONS IN INCHES. DO NOT SCALE PRINT.

©1972 BY AMP INCORPORATED, ALL RIGHTS RESERVED. AMP PRODUCTS COVERED BY PATENTS AND/OR PATENTS PENDING MATERIAL AND FINISH

CUSTOMER COPY
REFERENCE ONLY



AMP INCORPORATED
HARRISBURG, PENNA.

CLASS _____

WIRE — RANGE — INSULATION

TYPE _____

TOLERANCE EXCEPT AS NOTED
± .003 ± 1° 0'

SCALE

LOC

QU

CM A 480273 1A

NAME

RECOMMENDED MOUNTING INFORMATION

6 CIRCUIT MATE-N-LOK PANEL MOUNT PLUG

| | | | |
|-----------------|--------------------|---------|---------|
| REV | DESCRIPTION | BY | DATE |
| A | REVISED PER M-3559 | pkp | 1-6-76 |
| REVISION RECORD | | | |
| LYR | CHK | APP | DATE |
| 53 | DR DAYTON HOLMES | DE | 7-26-72 |
| | CHK | APP | DATE |
| | Thumble | Thumble | 7-26-72 |