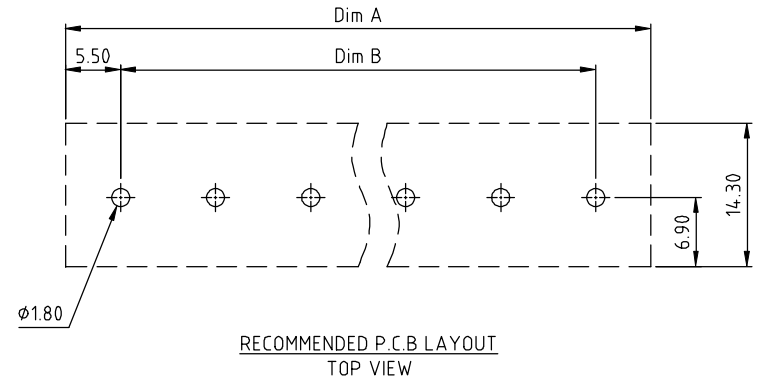
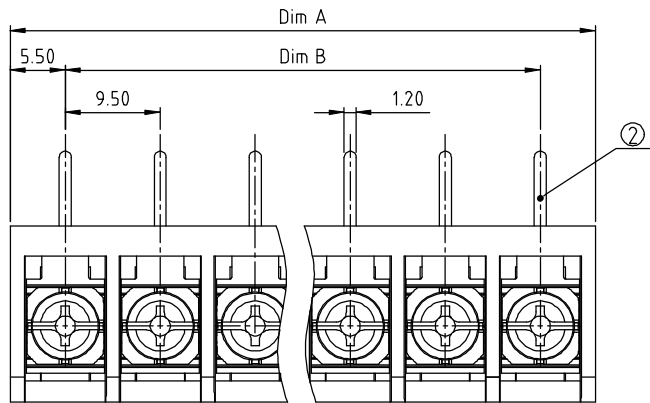
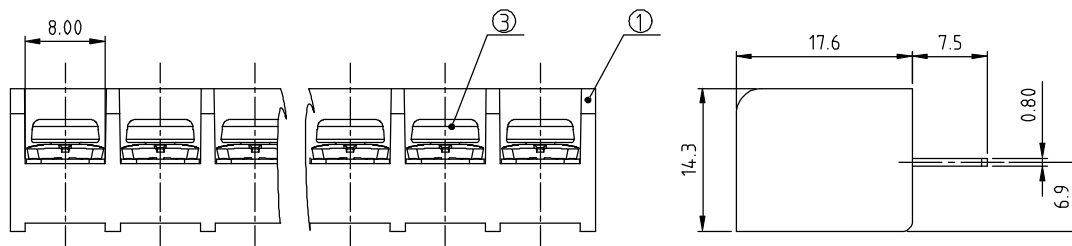


PRODUCT NUMBER	PITCH
YK442xx0J0G	9.50 mm



MATERIALS ELECTRICAL cULus CQC
 RATED VOLTAGE & CURRENT: 300 V, 30A / 300V 24A
 WITHSTAND VOLTAGE: AC2500V/min
 INSULATION RESISTANCE: 1000 M Ω OR MORE AT DC 500 V
 OPERATING TEMPERATURE RANG: -40 °C ~ +115 °C
 SCREW TORQUE VALUE: 10.54 Lb-In. / 0.8Nm
 WIRE RANGE: 22 - 10 AWG / 22-14 AWG
 1) MOLDED PARTS: Thermoplastic, UL 94 V-0 BLACK
 2) TERMINAL: BRASS, 0.8t
 3) TERMINAL SCREWS: STEEL, M3.5
 APPROVAL:



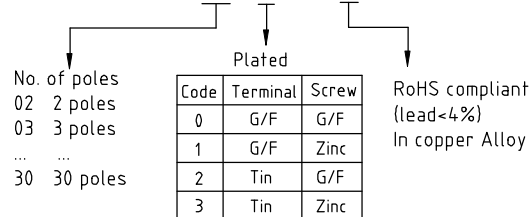
DIMENSION

Dim A	N \times 9.5+1.5
Dim B	(N-1) \times 9.5

N=Number of poles

Poles	Tolerance
2p-4p	± 0.20
5p-8p	± 0.25
9p-16p	± 0.35
17p-23p	± 0.40
24p-30p	± 0.50

PART NO.: YK 442xx 0 x 0 JOG



mat'l. code				surface ASME Y14.5		tolerance ASME Y14.5		projection		product family	
ltr	ecn no	dr	date	tolerances unless otherwise specified		X.±0.5		MM		TERMINAL BLOCK	
				angles	X.X±0.3		scale		title		
				X'±1"	X.XX±0.1		FCI		TERMINAL BLOCK		
		dr	EVAN LU	061614					BARRIER TYPE		
		enr	EVAN LU	061614					dwg no		
		chr	HANKE FENG	061614					sheet 1 of 1 size		
		appd	SHI JUN	061614					YK442xx0J0G A4		
sheet index				revision sheet		A 1				type	
										CUSTOMER Drawing	