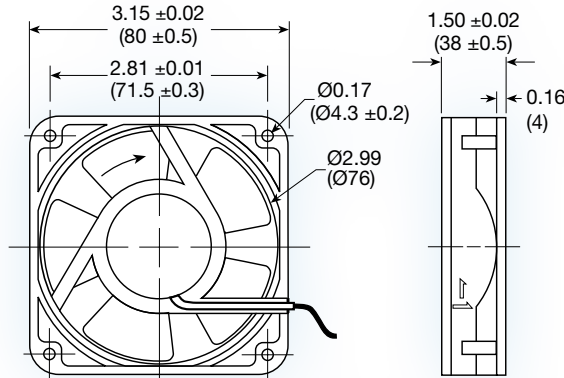
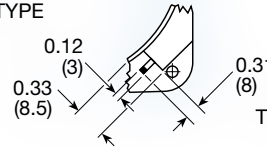


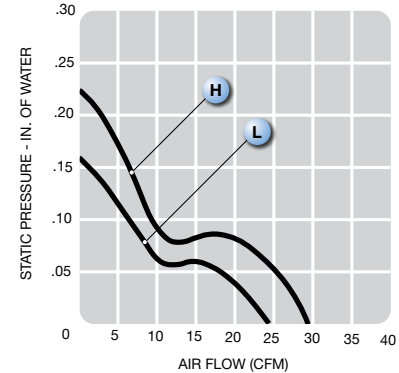
# UF80A series



LEAD WIRE TYPE



TERMINAL TYPE



**(80 x 80 x 38 mm)**  
3.15 x 3.15 x 1.5 inches

Operating voltage: 115 or 230 VAC

Construction: aluminum die cast frame;  
UL94V-0 PBT impeller

Bearing option: ball bearing or sintered bronze  
sleeve

Motor: shaded pole

Air Flow: exhaust over struts

Connection: terminal or 22 AWG lead wire

Protection: impedance

Option: dual voltage 115/230VAC

| Model No.   | Rated Voltage<br>V | Freq.<br>HZ | Input Power<br>W | Rated Cur.<br>A | Locked Cur.<br>A | Speed<br>RPM | Air Volume           |     | Max. Static Pressure (H <sub>2</sub> O) |      | Sound Noise<br>dba | Weight<br>kg |
|-------------|--------------------|-------------|------------------|-----------------|------------------|--------------|----------------------|-----|---|------|--------------------|--------------|
|             |                    |             |                  |                 |                  |              | M <sup>3</sup> /Min. | CFM | MM                                      | INCH |                    |              |
| UF80A12-__H | 115                | 60          | 9                | 0.12            | 0.13             | 3,000        | 0.83                 | 30  | 5.5                                     | 0.22 | 36                 | 0.28         |
| UF80A23-__H | 230                | 60          | 12               | 0.06            | 0.07             | 3,000        | 0.83                 | 30  | 5.5                                     | 0.22 | 36                 | 0.28         |
| UF80A12-__L | 115                | 60          | 9                | 0.10            | 0.11             | 2,400        | 0.70                 | 25  | 4.0                                     | 0.16 | 32                 | 0.28         |
| UF80A23-__L | 230                | 60          | 12               | 0.05            | 0.06             | 2,400        | 0.70                 | 25  | 4.0                                     | 0.16 | 32                 | 0.28         |

