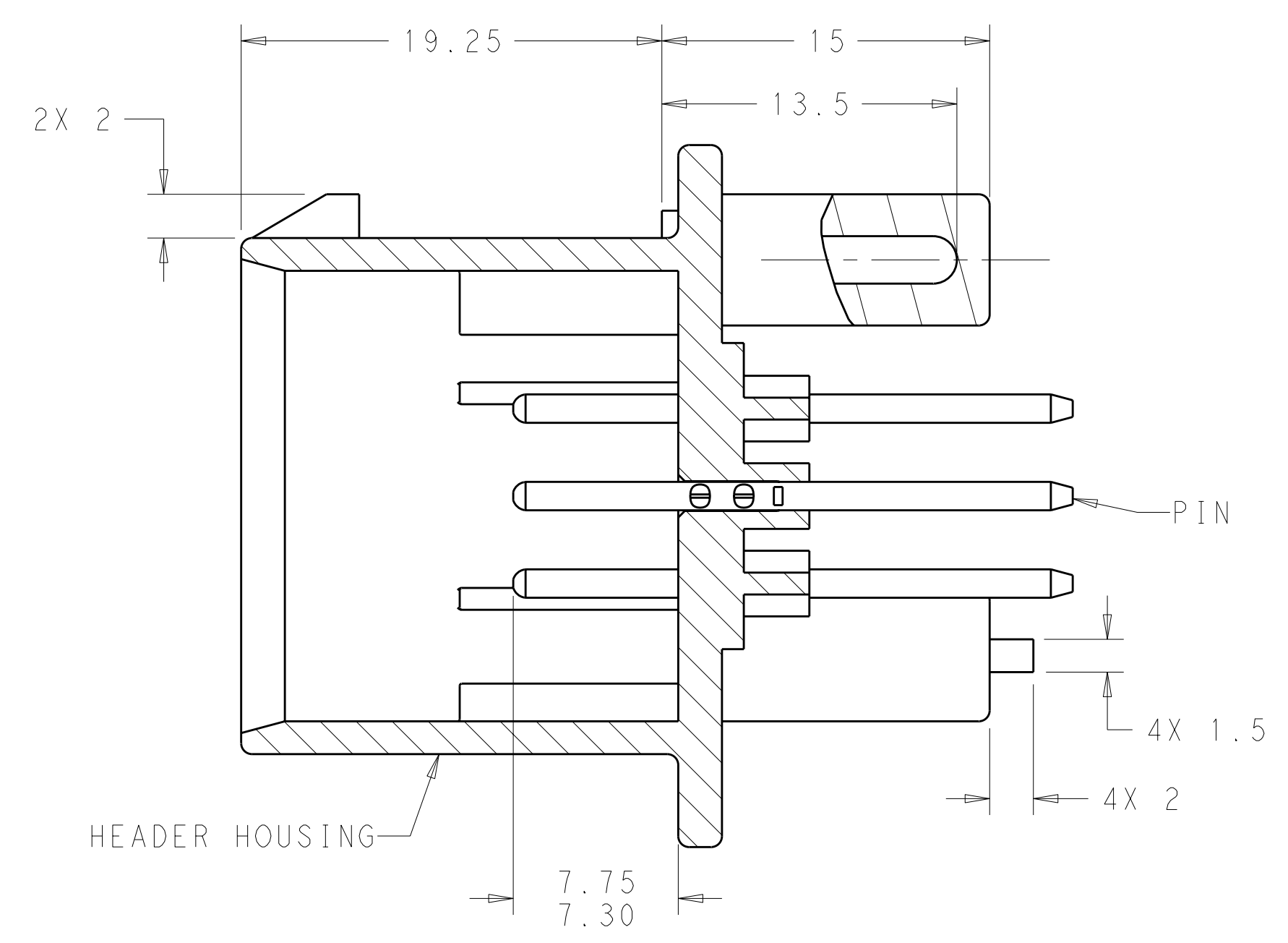
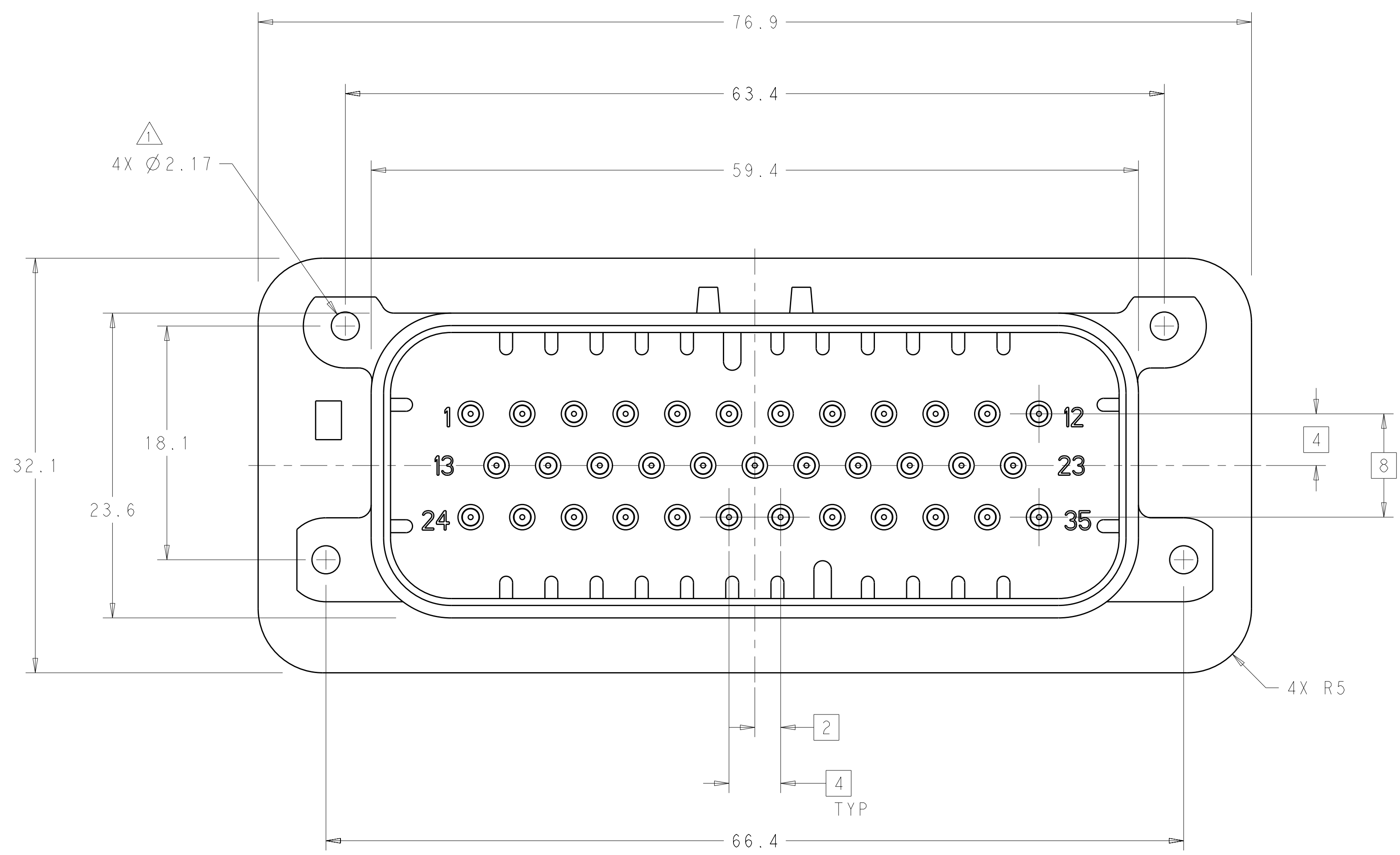
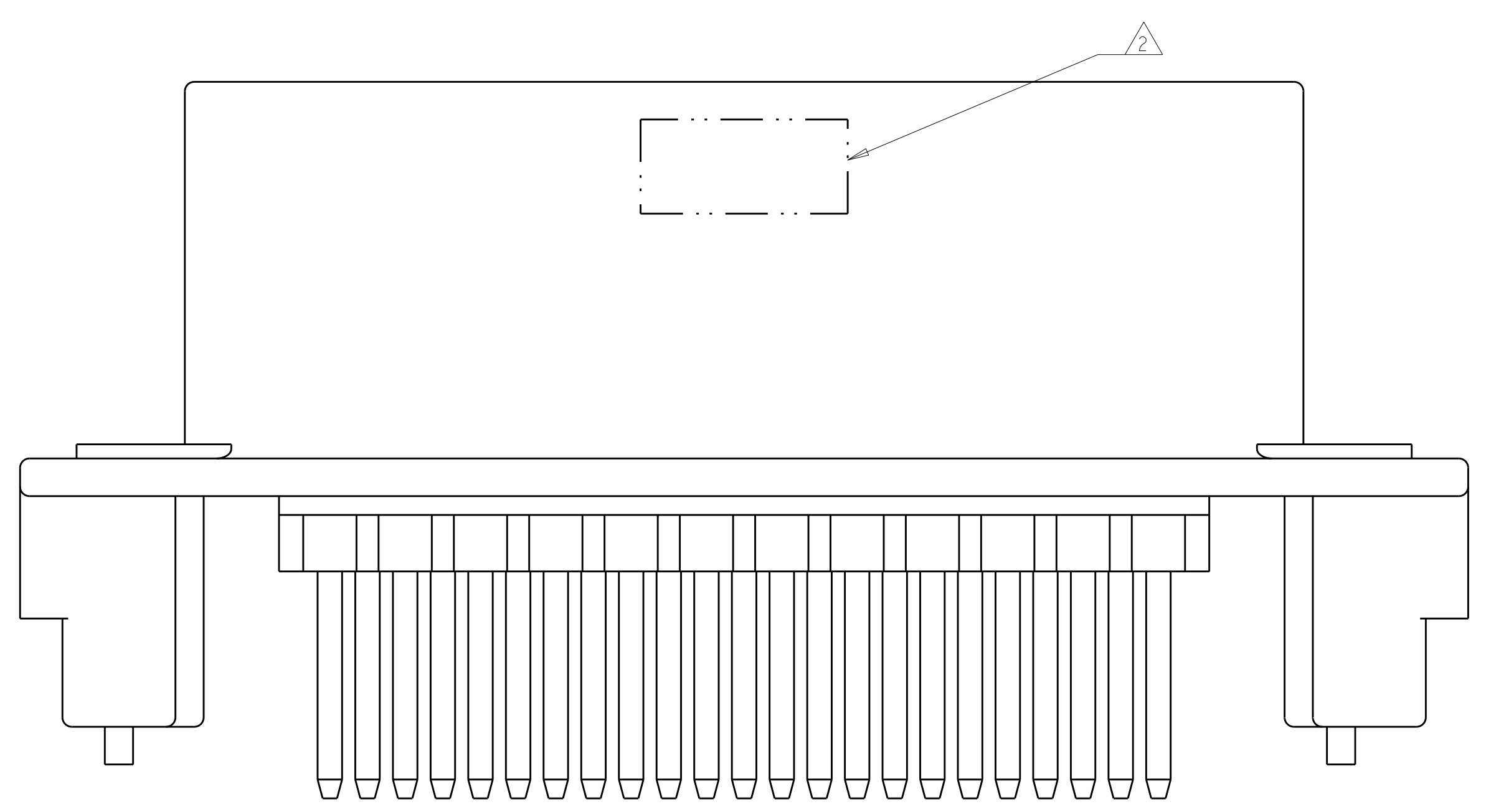


LOC	DIST	REV	DATE	BY	APPD
GE	00				
A3		REVISED PER ECO-10-006160	27APR2010	DCS	DCS
A4		REVISED PER ECO-12-004531	06MAR2012	DLD	DCS

- 1 ACCEPTS #4 SELF TAPPING THREAD FORMING SCREWS OR METRIC EQUIVALENT. DRIVE TO 0.6 N-m MAX
- 2 DATE CODE IN THIS LOCATION USING 5 DIGIT CODE
FIRST 2 DIGITS = YEAR, SECOND 2 DIGITS = WEEK
LAST DIGIT = DAY.
- 3 MATERIALS: HEADER HOUSING - GLASS FILLED PBT
PINS - TIN OR GOLD PLATED BRASS
- 4 HOUSING COLORS ARE MECHANICALLY KEYED TO MATE ONLY WITH IDENTICALLY COLORED PLUG ASSEMBLIES.
- 5. HEADER MATES TO PLUG ASSEMBLY 776164 WHICH USES REELED TERMINAL 770520 OR LOOSE PIECE TERMINAL 770854



SECTION A-A



776230-1 & 1-776230-1 SHOWN

HEADER COLOR	PLATING	PART NUMBER
ORANGE	DURAGOLD	1-776230-6
BLUE	DURAGOLD	1-776230-5
GRAY	DURAGOLD	1-776230-4
NATURAL	DURAGOLD	1-776230-2
BLACK	DURAGOLD	1-776230-1
BLUE	TIN	776230-5
GRAY	TIN	776230-4
NATURAL	TIN	776230-2
BLACK	TIN	776230-1

THIS DRAWING IS A CONTROLLED DOCUMENT. DIMENSIONING AND TOLERANCING PER ASME Y14.5M-2009.		DWN: D. STRAUSSER 04FEB2010 CHK: D. STRAUSSER 22MAR2010 APPD: D. STRAUSSER 27APR2010	NAME: ASSEMBLY, HEADER, 35 POSITION, VERTICAL, AMPSEAL PRODUCT SPEC: 108-1329 APPLICATION SPEC: 114-16016	SIZE: CAGE CODE DRAWING NO: A100779C-776230 WEIGHT: - RESTRICTED TO: -
DIMENSIONS: mm TOLERANCES UNLESS OTHERWISE SPECIFIED: 9 PLC ±0.2 1 PLC ±0.13 5 PLC ±0.13 4 PLC ±0.13 ANGLES ±4°	MATERIAL: 3 FINISH: 3	CUSTOMER DRAWING	SCALE: 4:1 SHEET: 1 OF 2 REV: A4	

