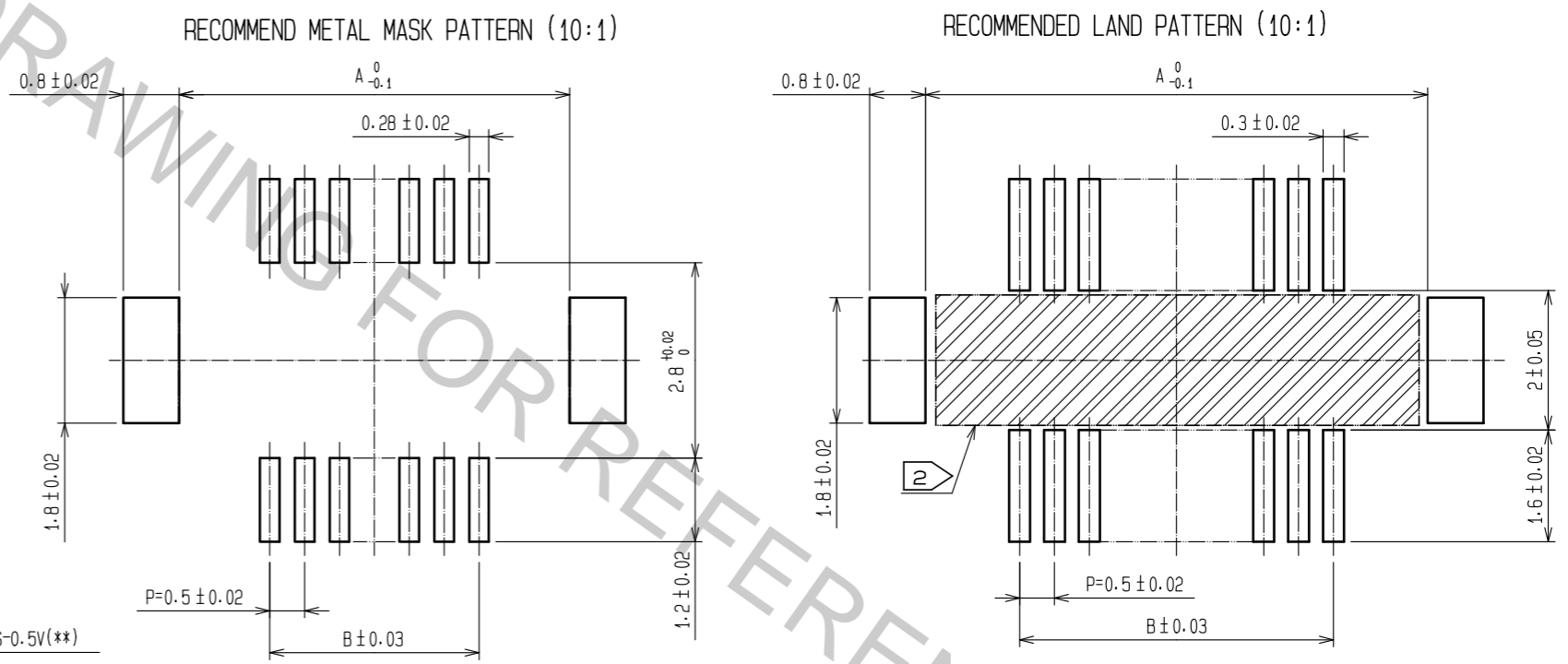
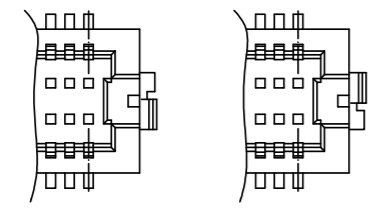


CODE No.	CONTACT	A	B	C	D	E	F
CL537-0353-8-86	20	7.2	4.5	5.3	5.7	5.3	8.1
CL537-0355-3-86	30	9.7	7.0	7.8	8.2	7.8	10.6
CL537-0927-5-86	32	10.2	7.5	8.3	8.7	8.3	11.1
CL537-0356-6-86	36	11.2	8.5	9.3	9.7	9.3	12.1
CL537-0357-9-86	40	12.2	9.5	10.3	10.7	10.3	13.1
CL537-0359-4-86	50	14.7	12.0	12.8	13.2	12.8	15.6
CL537-0361-6-86	60	17.2	14.5	15.3	15.7	15.3	18.1



NOTES 1 LEAD CO-PLANARITY SHALL BE 0.08 mm MAX.  
 2 IF THERE IS PATTERN ON PART, THERE IS A POSSIBILITY THAT IT WILL MAKE CONTACT WITH THE LEADS.  
 3 REINFORCED METAL FITTINGS AS FOLLOWS.



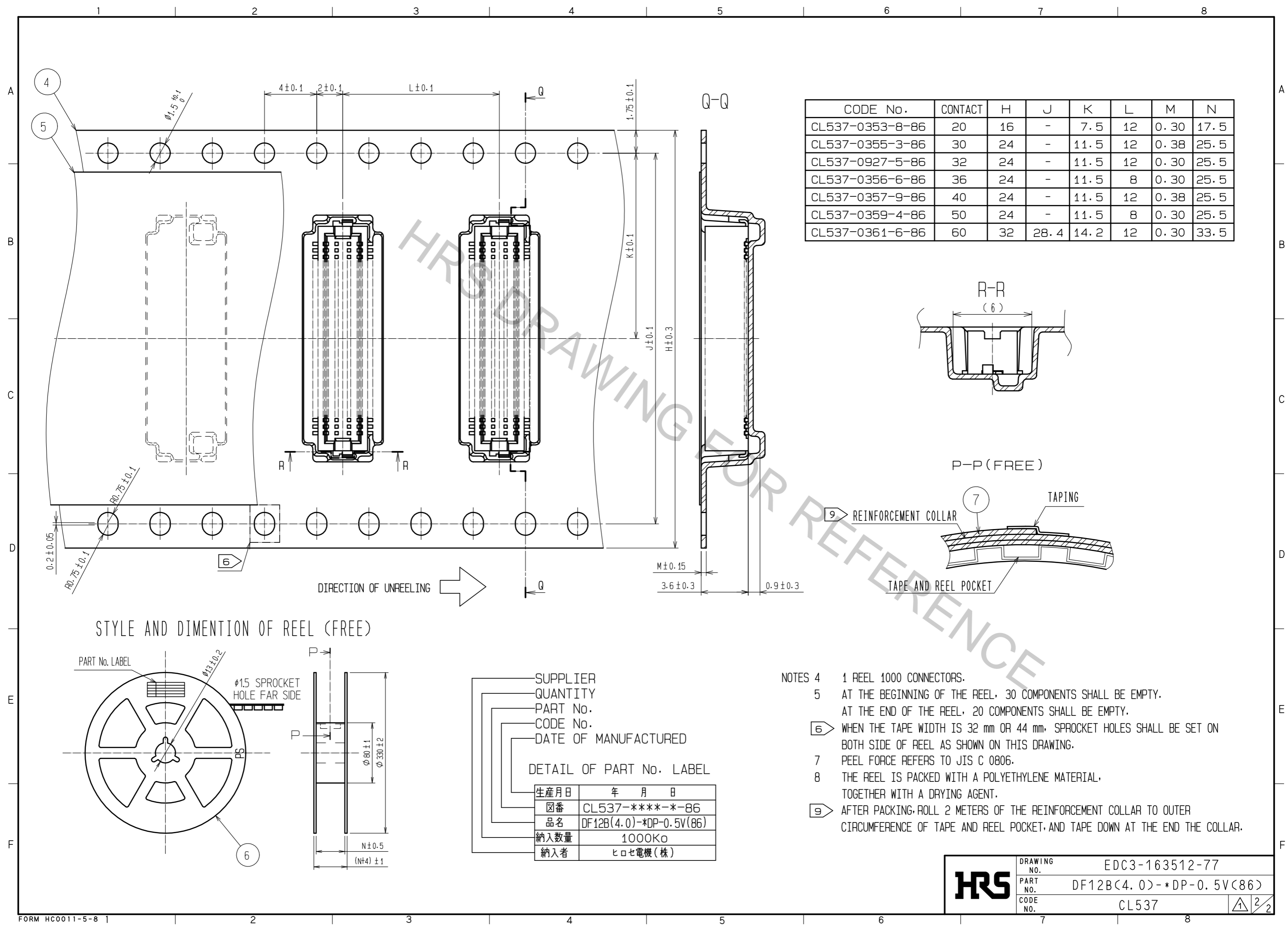
NO.	MATERIAL	FINISH	REMARKS	NO.	MATERIAL	FINISH	REMARKS
2	PHOSPHOR BRONZE		CONTACT AREA:GOLD PLATED 0.2μm min LEAD AREA:GOLD PLATED 0.015μm min OTHERS(UNDER PLATING):NICKEL PLATED 2μm min	7	PS		CLEAR (REINFORCEMENT COLLAR)
1	POLYAMIDE		UL94V-0, NATURAL (BEIGE)	6	PS		BLACK (PLASTIC REEL)
				5	POLYESTER		CLEAR (COVER TAPE)
				4	PS		CLEAR (EMBOSSED CARRIER TAPE)
				3	BRASS		TIN PLATED 2μm min (UNDER PLATING):NICKEL 1μm min

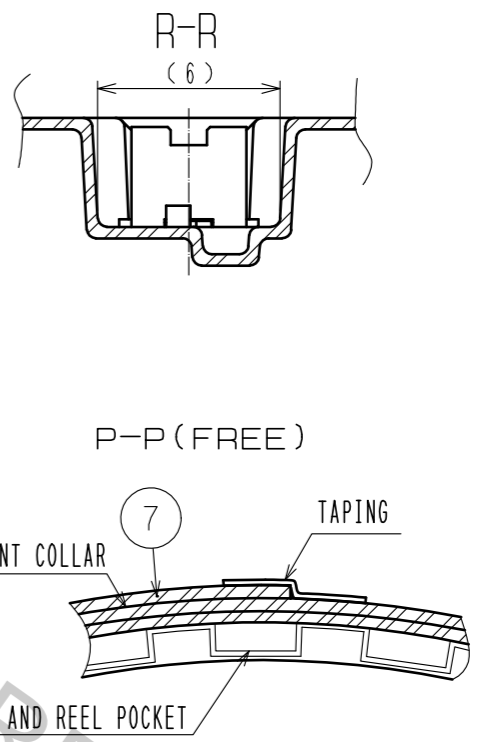
UNITS	SCALE	COUNT	DESCRIPTION OF REVISIONS	DESIGNED	CHECKED	DATE
mm	5 : 1	1	DIS-H-00001707	SH. HOSODA	TS. MIYAZAKI	16.06.10

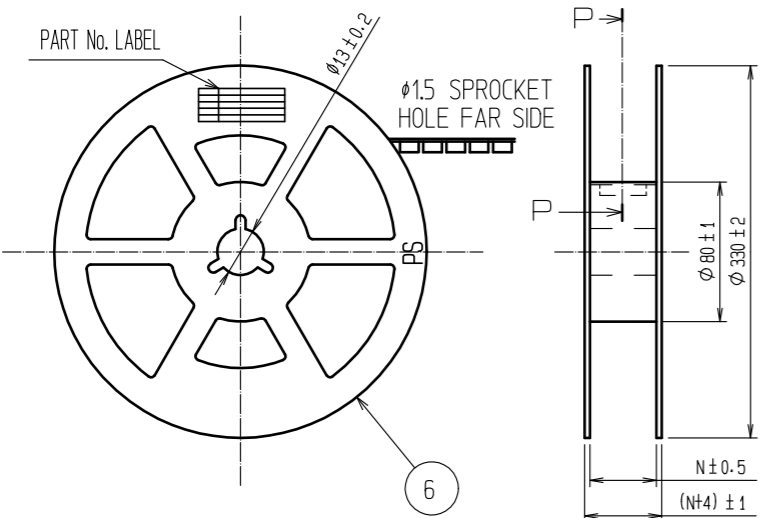
APPROVED	CHECKED	DESIGNED	DRAWN	DRAWING NO.	PART NO.	CODE NO.
KH. IKEDA	YH. MICHIDA	YN. SAKAMOTO	YN. SAKAMOTO	EDC3-163512-77	DF12B(4.0)-*DP-0.5V(86)	CL537



CODE No.	CONTACT	H	J	K	L	M	N
CL537-0353-8-86	20	16	-	7.5	12	0.30	17.5
CL537-0355-3-86	30	24	-	11.5	12	0.38	25.5
CL537-0927-5-86	32	24	-	11.5	12	0.30	25.5
CL537-0356-6-86	36	24	-	11.5	8	0.30	25.5
CL537-0357-9-86	40	24	-	11.5	12	0.38	25.5
CL537-0359-4-86	50	24	-	11.5	8	0.30	25.5
CL537-0361-6-86	60	32	28.4	14.2	12	0.30	33.5



STYLE AND DIMENTION OF REEL (FREE)



SUPPLIER  
 QUANTITY  
 PART No.  
 CODE No.  
 DATE OF MANUFACTURED

DETAIL OF PART No. LABEL

生産月日	年 月 日
図番	CL537-****-*-86
品名	DF12B(4.0)-*DP-0.5V(86)
納入数量	1000K $\phi$
納入者	ヒロセ電機(株)

- NOTES 4 1 REEL 1000 CONNECTORS.  
 5 AT THE BEGINNING OF THE REEL, 30 COMPONENTS SHALL BE EMPTY. AT THE END OF THE REEL, 20 COMPONENTS SHALL BE EMPTY.  
 6 WHEN THE TAPE WIDTH IS 32 mm OR 44 mm, SPROCKET HOLES SHALL BE SET ON BOTH SIDE OF REEL AS SHOWN ON THIS DRAWING.  
 7 PEEL FORCE REFERS TO JIS C 0806.  
 8 THE REEL IS PACKED WITH A POLYETHYLENE MATERIAL, TOGETHER WITH A DRYING AGENT.  
 9 AFTER PACKING, ROLL 2 METERS OF THE REINFORCEMENT COLLAR TO OUTER CIRCUMFERENCE OF TAPE AND REEL POCKET, AND TAPE DOWN AT THE END THE COLLAR.

<b>HRS</b>	DRAWING NO.	EDC3-163512-77
	PART NO.	DF12B(4.0)-*DP-0.5V(86)
	CODE NO.	CL537