

NOTES :

1- MATERIAL :
PLUG HOUSING :

CLEAR POLYCARBONATE

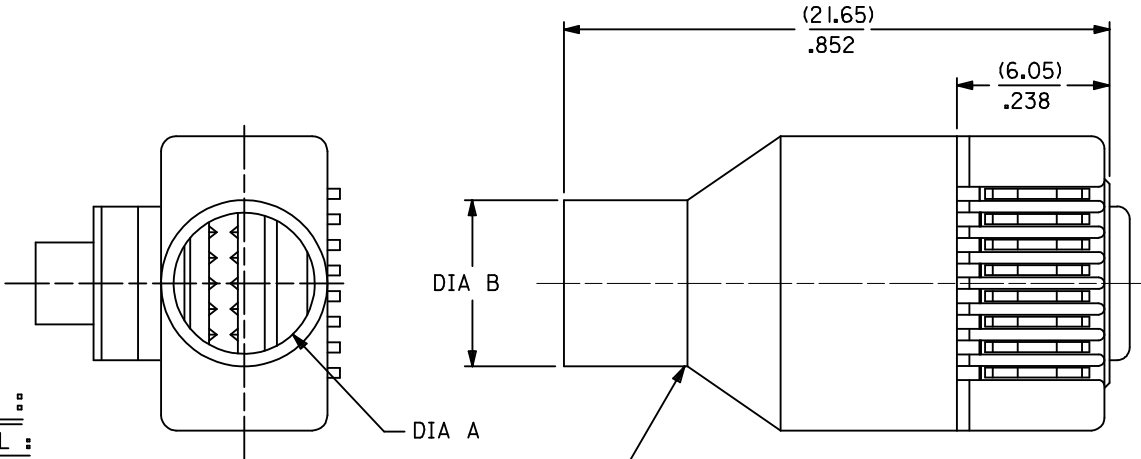
TERMINALS :

PHOSPHOR BRONZE PLATED WITH
 (0.00127 MM)/.000050 INCH MIN. GOLD IN
 CONTACT AREA, (0.00127 MM)/.000050 INCH
 MIN. PURE TIN IN PIERCE AREA BOTH OVER
 (0.00127 MM)/.000050 INCH MIN. NICKEL

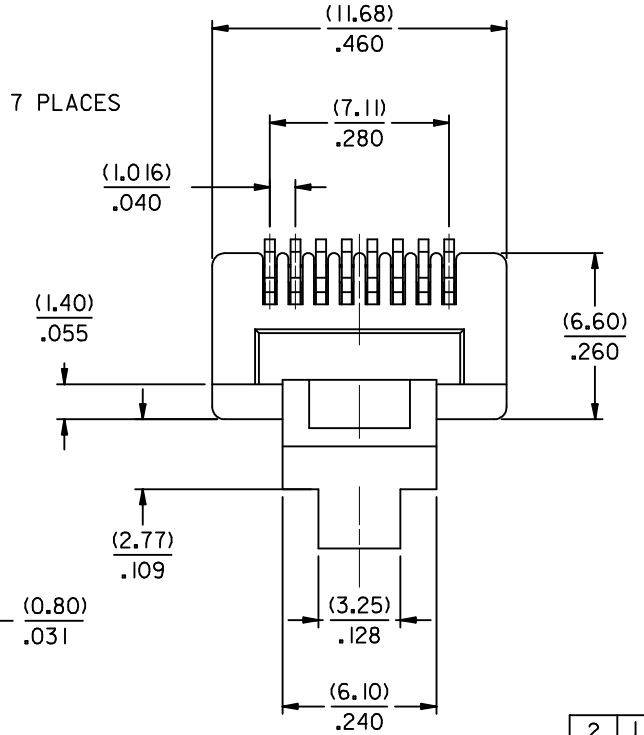
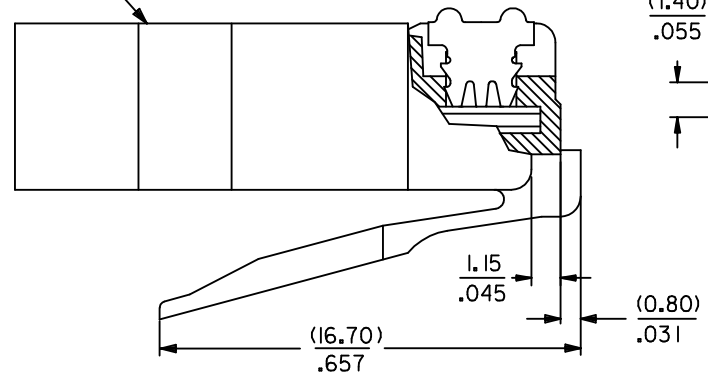
SHIELD :

COPPER ALLOY PLATED WITH (0.00254 MM)/
 .000100 INCH MIN. BRIGHT TIN OVER
 (0.00127 MM)/.000050 INCH MIN. NICKEL

- 2- PRODUCT SPECIFICATION : PS-95043
- 3- APPLICATION SPECIFICATION : AS-95043
- 4- PACKAGING SPECIFICATION : PK-95043
- 5- PLUG FOR MATING WITH FCC 68 STYLE JACKS
 MOLEX SERIES : 95040-95060-95122-95123



SHIELD
 ASSEMBLED
 ONTO HOUSING

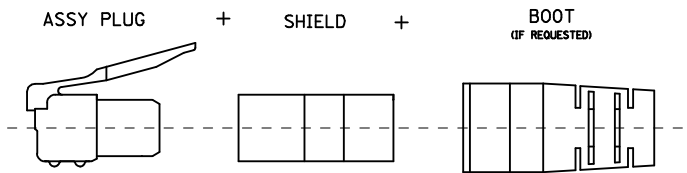


2	J
1	K

SEE SHEET 2 EC NO: E2009-0512 DRWNG: CARTON 2009/04/17 CHKD: 2009/04/17 APPR: J WALLACE 2009/04/17	QUALITY SYMBOLS	GENERAL TOLERANCES (UNLESS SPECIFIED)	DIMENSION STYLE	SCALE	DESIGN UNITS	THIRD ANGLE PROJECTION
	▽=0 C=0	mm INCH 4 PLACES ± --- ± --- 3 PLACES ± --- ± .010 2 PLACES ± 0.25 ± .014 1 PLACE ± 0.35 ± --- ANGULAR ± 2 °	MM/IN	1:1	METRIC	
	DESCRIPTION	DRAWN BY	DATE	TITLE	SHIELDED MODULAR PLUG 8 POSITION FOR ROUND CABLE MOLEX INCORPORATED	
		CB				
	CHECKED BY	DATE		MATERIAL NO.	DOCUMENT NO.	SHEET NO.
	TB			SEE SHEET 2	SDA-95043	1 OF 2
	APPROVED BY	DATE		THIS DRAWING CONTAINS INFORMATION THAT IS PROPRIETARY TO MOLEX INCORPORATED AND SHOULD NOT BE USED WITHOUT WRITTEN PERMISSION		
	FB					

ASSEMBLY PART NUMBER	TOOLED	CABLE DIAMETER	BOOT		DIM A	DIM B	'MG' MARK	PARTS/ UNIT	PACKAGING VERSION	
			COLOR	RAL NBR						
95043-1881	YES	(5.10-5.60)/.200-.220	NO	N/A	N/A	(5.60)/.220	(6.60)/.260	NO	I	A
95043-2881	YES	↑	NO	N/A	N/A	↑	↑	YES	I	A
95043-2891	YES	↑	YES	BLACK	9005	↑	↑	YES	I	A
95043-2892	YES	↑	YES	GREY	7012	↑	↑	YES	I	A
95043-2893	YES	↑	YES	GREEN	6016	↑	↑	YES	I	A
95043-2894	YES	↑	YES	RED	3000	↑	↑	YES	I	A
95043-2895	YES	↑	YES	YELLOW	1021	↑	↑	YES	I	A
95043-2896	YES	↑	YES	BLUE	5015	↑	↑	YES	I	A
95043-3891	YES	↓	YES	BLACK	9005	↓	↓	YES	1000	A
95043-6891	YES	(5.10-5.60)/.200-.220	YES	BLACK	9005	(5.60)/.220	(6.60)/.260	YES	5	B
95043-4881	YES	(5.60-6.20)/.220-.244	NO	N/A	N/A	(6.20)/.244	(7.20)/.283	NO	I	A
95043-5881	YES	↑	NO	N/A	N/A	↑	↑	YES	I	A
95043-5891	YES	↑	YES	BLACK	9005	↑	↑	YES	I	A
95043-5892	YES	↑	YES	GREY	7012	↑	↑	YES	I	A
95043-5893	YES	↑	YES	GREEN	6016	↑	↑	YES	I	A
95043-5894	YES	↑	YES	RED	3000	↑	↑	YES	I	A
95043-5895	YES	↑	YES	YELLOW	1021	↑	↑	YES	I	A
95043-5896	YES	↓	YES	BLUE	5015	↓	↓	YES	I	A
95043-5897	YES	(5.60-6.20)/.220-.244	YES	BLACK	9005	(6.20)/.244	(7.20)/.283	YES	I	C

SHIELDED PLUG COMPOSITION



ADDED OPTION EC NO: E2009-0512 DRWNG: CARTON 2009/04/17 CHKD: 2009/04/17 APPR: J WALLACE 2009/04/17 REV J	QUALITY SYMBOLS ▽=0 ◻=0	GENERAL TOLERANCES (UNLESS SPECIFIED) <table border="1" style="font-size: small;"> <tr> <th></th> <th>mm</th> <th>INCH</th> </tr> <tr> <td>4 PLACES</td> <td>± ---</td> <td>± ---</td> </tr> <tr> <td>3 PLACES</td> <td>± ---</td> <td>± .010</td> </tr> <tr> <td>2 PLACES</td> <td>± 0.25</td> <td>± .014</td> </tr> <tr> <td>1 PLACE</td> <td>± 0.35</td> <td>± ---</td> </tr> </table>		mm	INCH	4 PLACES	± ---	± ---	3 PLACES	± ---	± .010	2 PLACES	± 0.25	± .014	1 PLACE	± 0.35	± ---	DIMENSION STYLE MM/IN DRAWN BY: CB DATE: _____ CHECKED BY: TB DATE: _____ APPROVED BY: FB DATE: _____	SCALE 1:1	DESIGN UNITS METRIC	THIRD ANGLE PROJECTION 	TITLE <h3 style="text-align: center;">SHIELDED MODULAR PLUG 8 POSITION FOR ROUND CABLE</h3>
		mm	INCH																			
	4 PLACES	± ---	± ---																			
	3 PLACES	± ---	± .010																			
2 PLACES	± 0.25	± .014																				
1 PLACE	± 0.35	± ---																				
		ANGULAR ± 2 °	MATERIAL NO. SEE CHART		DOCUMENT NO. SDA-95043		SHEET NO. 2 OF 2															
DRAFT WHERE APPLICABLE MUST REMAIN WITHIN DIMENSIONS		THIS DRAWING CONTAINS INFORMATION THAT IS PROPRIETARY TO MOLEX INCORPORATED AND SHOULD NOT BE USED WITHOUT WRITTEN PERMISSION																				
		SIZE A3																				