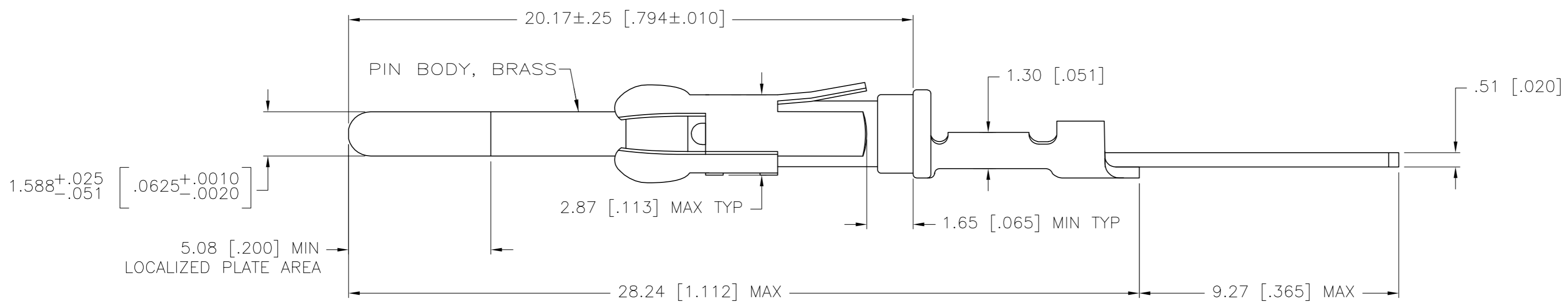
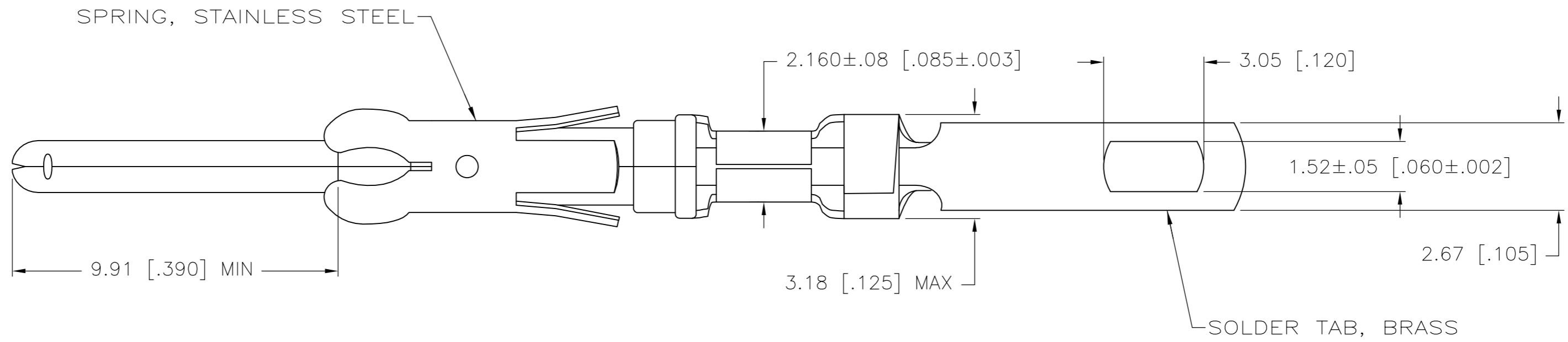


THIS DRAWING IS UNPUBLISHED. RELEASED FOR PUBLICATION  
 © COPYRIGHT - By - ALL RIGHTS RESERVED.

LOC		DIST		REVISIONS			
P	LTR	DESCRIPTION		DATE	DWN	APVD	
FT	0	T1	REVISED PER ECO-11-004820	11MAR11	RK	HMR	



- ① 1.27µm [.000050] MIN TIN-LEAD OVER  
1.27µm [.000050] MIN NICKEL.
- ② 0.76µm [.000030] MIN GOLD IN LOCALIZED  
PLATE AREA, 0.25µm [.000010] MIN  
GOLD ON THE REMAINDER ALL OVER  
1.27µm [.000050] MIN NICKEL.
- ③ 2.54µm [.000100] MIN TIN-LEAD OVER  
1.27µm [.000050] MIN NICKEL.
- ④ 2.54µm [.000100] MIN TIN OVER  
1.27µm [.000050] MIN NICKEL.
- ⑤ 1.27µm [.000050] MIN TIN OVER  
1.27µm [.000050] MIN NICKEL.

④	SMALL PACK	②	202236-8
	STANDARD	②	202236-7
③	SMALL PACK	⑤	202236-6
	STANDARD	⑤	202236-5
	SMALL PACK	①	202236-4
	SMALL PACK	②	202236-3
	STANDARD	①	202236-2
	STANDARD	②	202236-1
FINISH SOLDER TAB	PACKAGING TYPE	FINISH	PART NO

THIS DRAWING IS A CONTROLLED DOCUMENT.

DWN H MOLL 27SEP90  
 CHK J.McCLINTON 15DEC90  
 APVD A. BOULLIANNE 15DEC90

TE Connectivity

PIN ASSEMBLY, LOOSE PIECE, TYPE III+

SIZE A2 CAGE CODE 00779 DRAWING NO C=202236 RESTRICTED TO -

MATERIAL SEE CALL OUT FINISH PIN BODY:SEE TABLE WEIGHT - SCALE 8:1 SHEET 1 OF 1 REV T1

CUSTOMER DRAWING