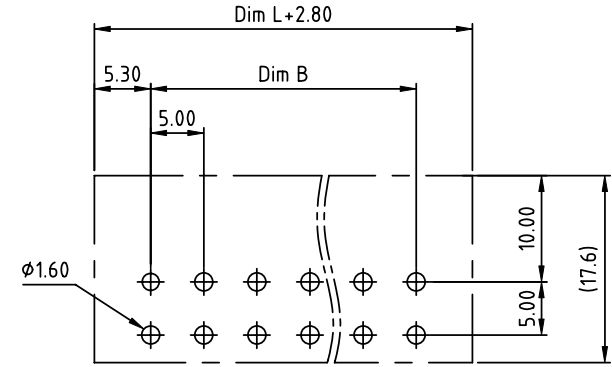
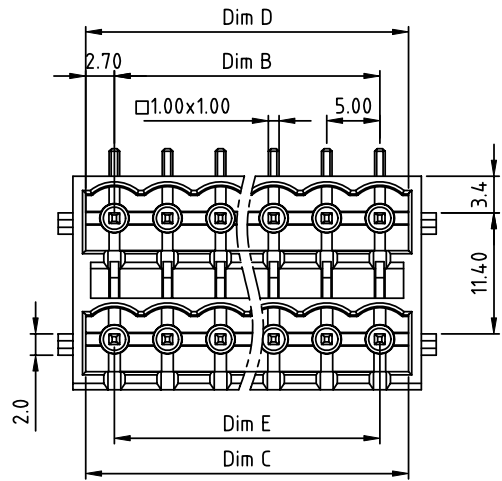
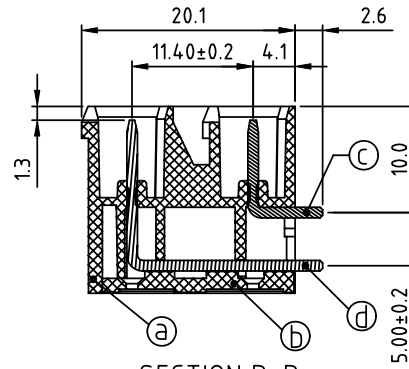
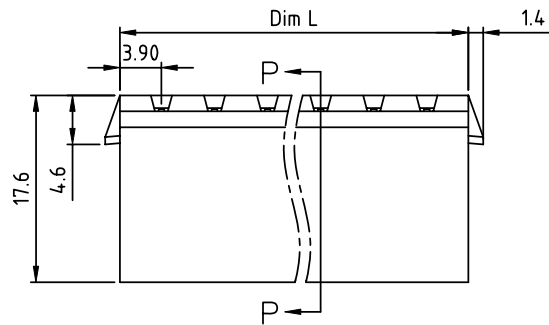


PRODUCT NUMBER	PITCH
KExx73x300J0G	5.00 mm



RECOMMENDED P.C.B LAYOUT
TOP VIEW



SECTION P-P

- Material:
- Item ① Terminal(housing): Thermoplastic (UL94V-0)
 - Item ② Terminal(cover): Thermoplastic (UL94V-0)
 - Item ③ Short pin: Copper Tin plated
 - Item ④ Long pin: Copper Tin plated
- Electrical:
- Voltage rating: 300V
 - Current rating: 12A
 - Withstanding Voltage: 1.6KV
 - Operating temperature: -40°C to +115°C
 - Soldering temperature: 260°C±5°C/5 Sec
 - Safety Approval: us

N=Number of poles Dim C=(N/2-1)x5.0+5.4
 Dim L=N/2x5.0+2.8 Dim D=(N/2-1)x5.0+5.4
 Dim B=(N/2-1)x5.0 Dim E=(N/2-1)x5.0

Poles	Dim L	Dim B	Dim C	Dim D	Dim E
2x2P-2x6P	±0.15	±0.15	+0.05 -0.05	+0.05 -0.05	±0.15
2x7P-2x12P	±0.25	±0.25	+0.10 -0.05	+0.10 -0.05	±0.25
2x13P-2x18P	±0.35	±0.35	+0.20 -0.05	+0.20 -0.05	±0.35
2x19P-2x24P	±0.40	±0.40	+0.25 -0.10	+0.25 -0.10	±0.40

PART NO.: KE xx 7 3 x 3 00J0 G

- Solid block
 - No. of poles
 - Color
 - RoHS compliant (lead<4% in copper Alloy)
- | | |
|---|-------------------|
| 0 | Black (RAL9005) |
| 2 | Red (RAL3001/D) |
| 3 | Orange(RAL2011/P) |
| 4 | Yellow(RAL1018/A) |
| 5 | Green(RAL6018/T) |
| 6 | Blue (RAL5015/A) |
| 8 | Grey(RAL7035/D) |
| 9 | White(RAL1102) |
| C | Green(RAL6018/U) |

mat'l. code				surface ASME Y14.5	tolerance ASME Y14.5	projection	product family
ltr	ecn no	dr	date	tolerances unless otherwise specified		MM	TERMINAL BLOCK
				angles	X.±0.5		title
				±	X.X±0.3	scale	TERMINAL BLOCK
				X'±1"	X.XX±0.1		PLUGGABLE SOCKET,RIGHT ANGLE,W/LATCH HOLDER
		dr	EVIN ZHONG	042414			dwg no
		enrg	EVIN ZHONG	042414			sheet 1 of 1
		chr	HANKE FENG	042414			size
		appd	SHI JUN	042414			A4
sheet index	revision	A					type
	sheet	1					CUSTOMER Drawing