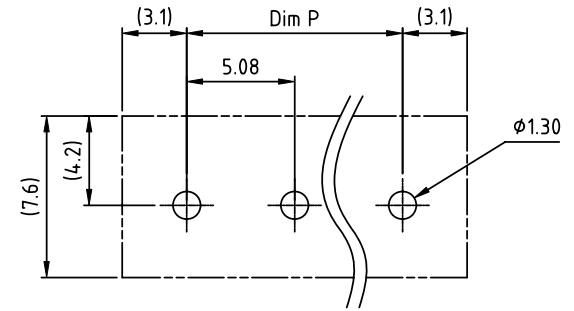
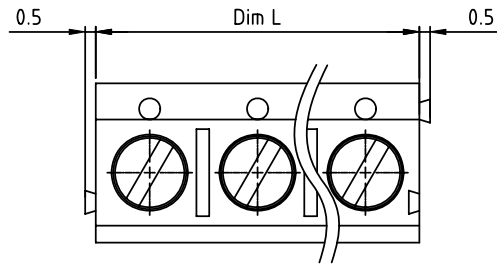


PRODUCT NUMBER	PITCH
TCxx23xx00J0G	5.08 mm



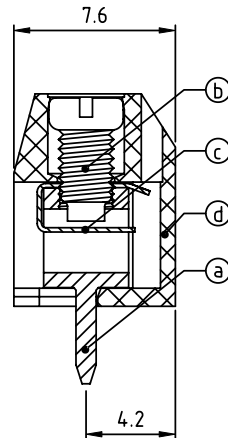
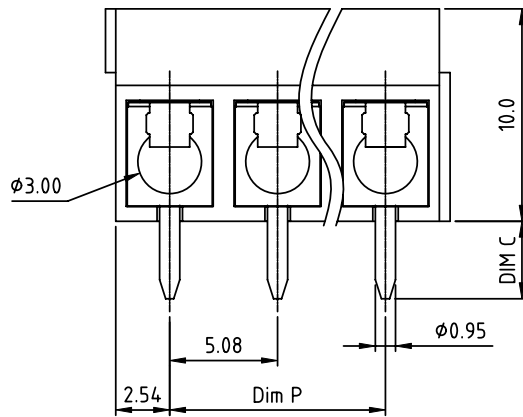
RECOMMENDED P.C.B LAYOUT  
TOP VIEW

Material:

- Item ① Terminal body: Brass(CuZn), Tin plated
- Item ② Terminal screw: Steel Zinc plating "-" slot type
- Item ③ Wire guard: Stainless steel
- Item ④ Terminal housing: Thermoplastic (UL94V-0)

Electrical cULus

- Voltage rating: 300VAC
- Current rating: 15A
- Wire range:
- Solid wire(AWG): 14-22
- Stranded wire(AWG): 14-22
- Torque: 2.6Lb-In
- Screw: M2.6
- Wire strip length: 5-6mm
- Withstanding Voltage: 1.6KV
- Operating temperature: -40°C to +115°C
- Soldering temperature: 260°C±5°C/5 Sec
- Safety Approval:



PART NO.: TC xx 23 x x 00J0 G

N = Number of poles  
Dim L=Nx5.08  
Dim P=(N-1)x5.08

Poles	Dim L	Dim P
2-6p	±0.15	±0.10
7-12p	±0.20	±0.20
13-18p	±0.30	±0.25
19-24p	±0.40	±0.30

End stackable	No. of poles	Body Color	DIM C	Length	RoHS compliant
0	2	Black (RAL9005)	0	4.4mm	(lead=4%)
02	2 poles	Red (RAL3001/D)	1	3.8mm	In copper Alloy
03	3 poles	Orange(RAL2011/P)	2	3.5mm	
...	...	4 Yellow(RAL1018/A)			
...	...	5 Green(RAL6018/T)			
24	24 poles	6 Blue (RAL5015/A)			
		8 Grey(RAL7035/D)			
		9 White(RAL1102)			
		C Green(RAL6018/U)			

mat'l. code		surface ASME Y14.5	tolerance ASME Y14.5	projection	product family
ltr	ecn no	dr	date		TERMINAL BLOCK
				tolerances unless otherwise specified	title
				angles	TERMINAL BLOCK
				MM	WIRE PROTECTOR,180D WIRE INLET
				scale	dwg no
				dr	sheet 1 of 1
				enrg	size
				chr	TCxx23xx00J0G
				appd	A4
				type	CUSTOMER Drawing
sheet index	revision	A			
	sheet	1			