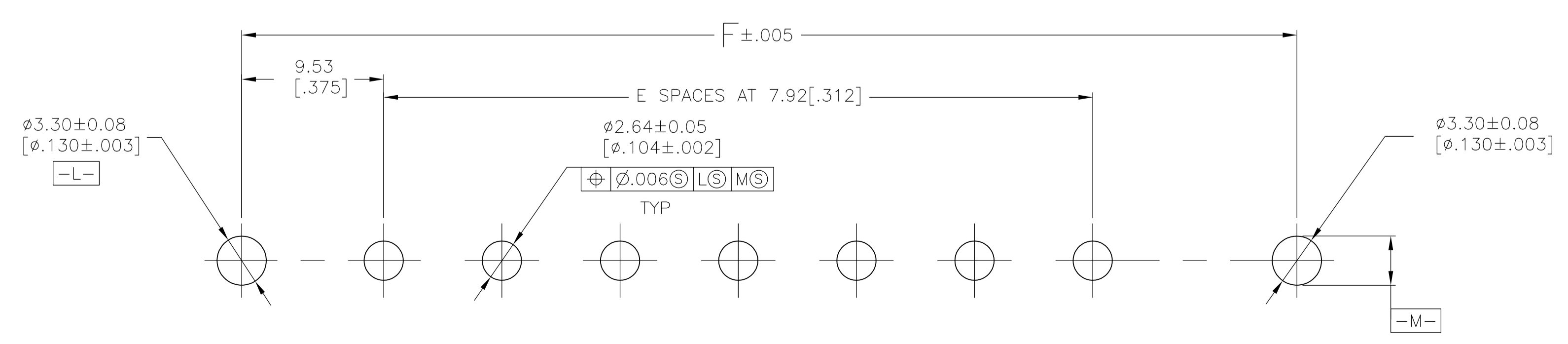
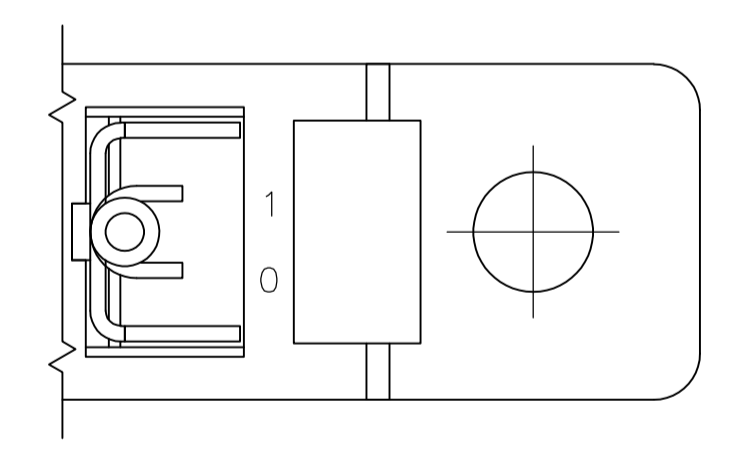
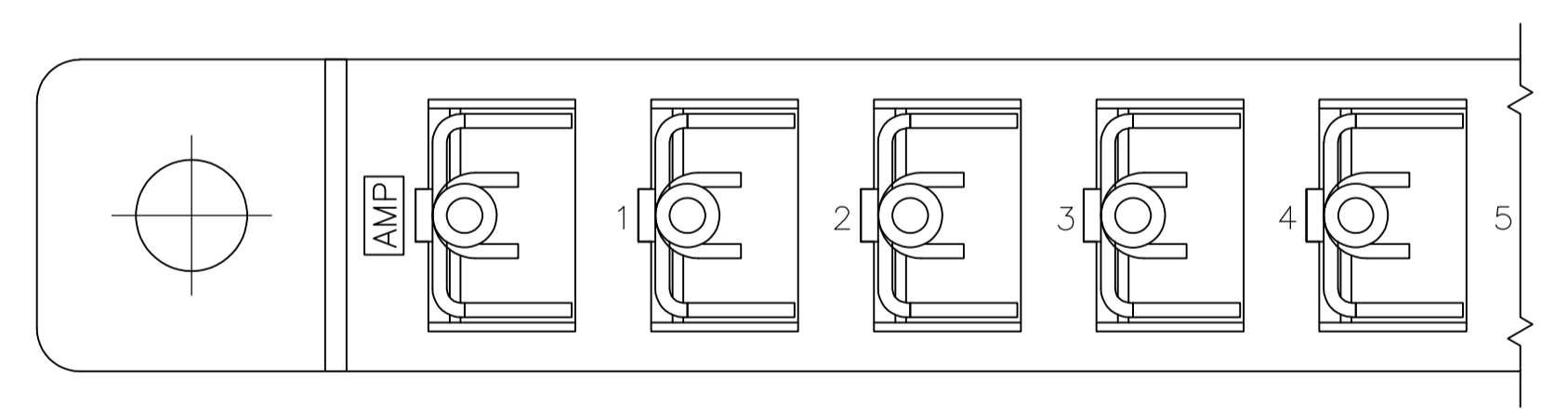
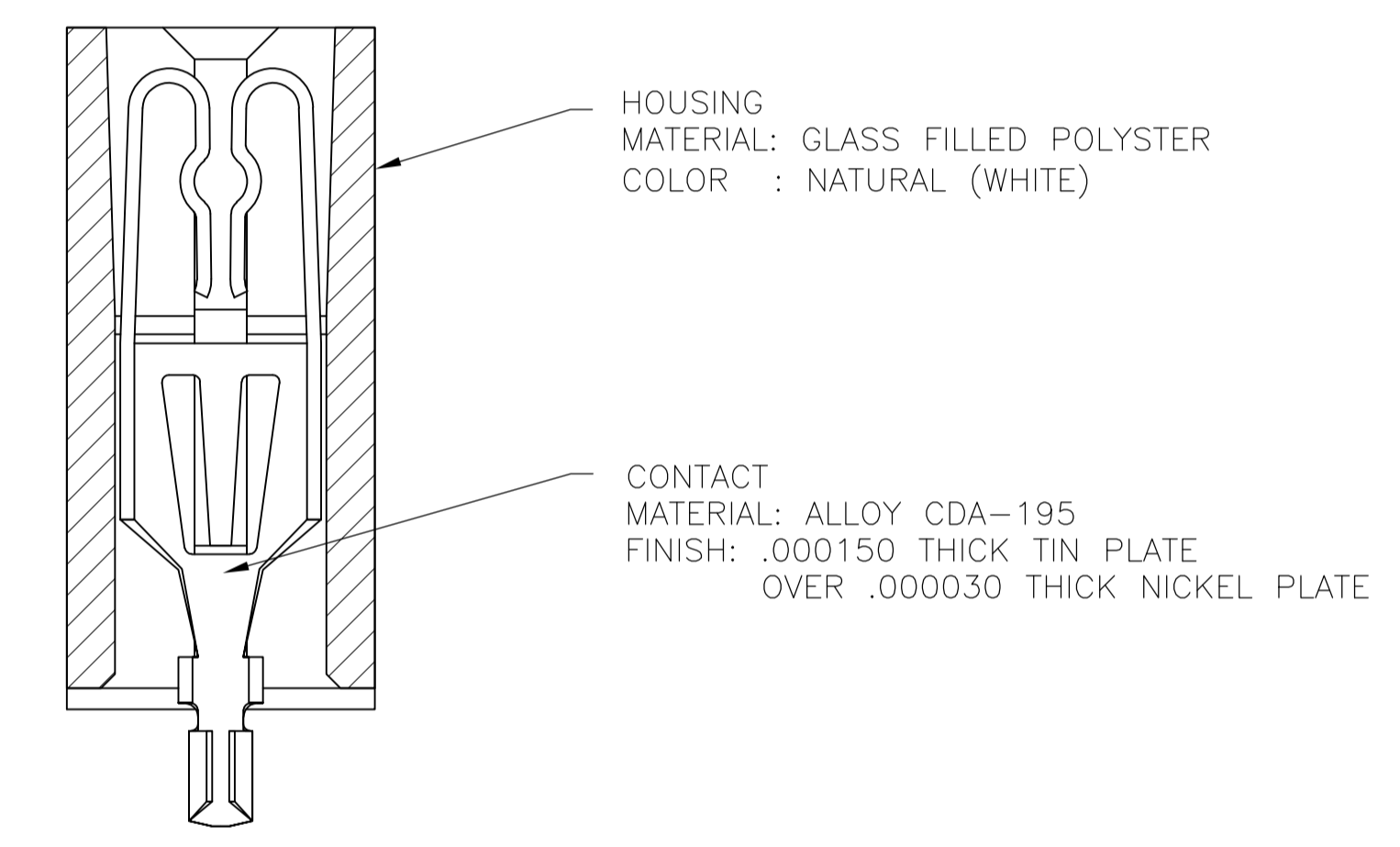
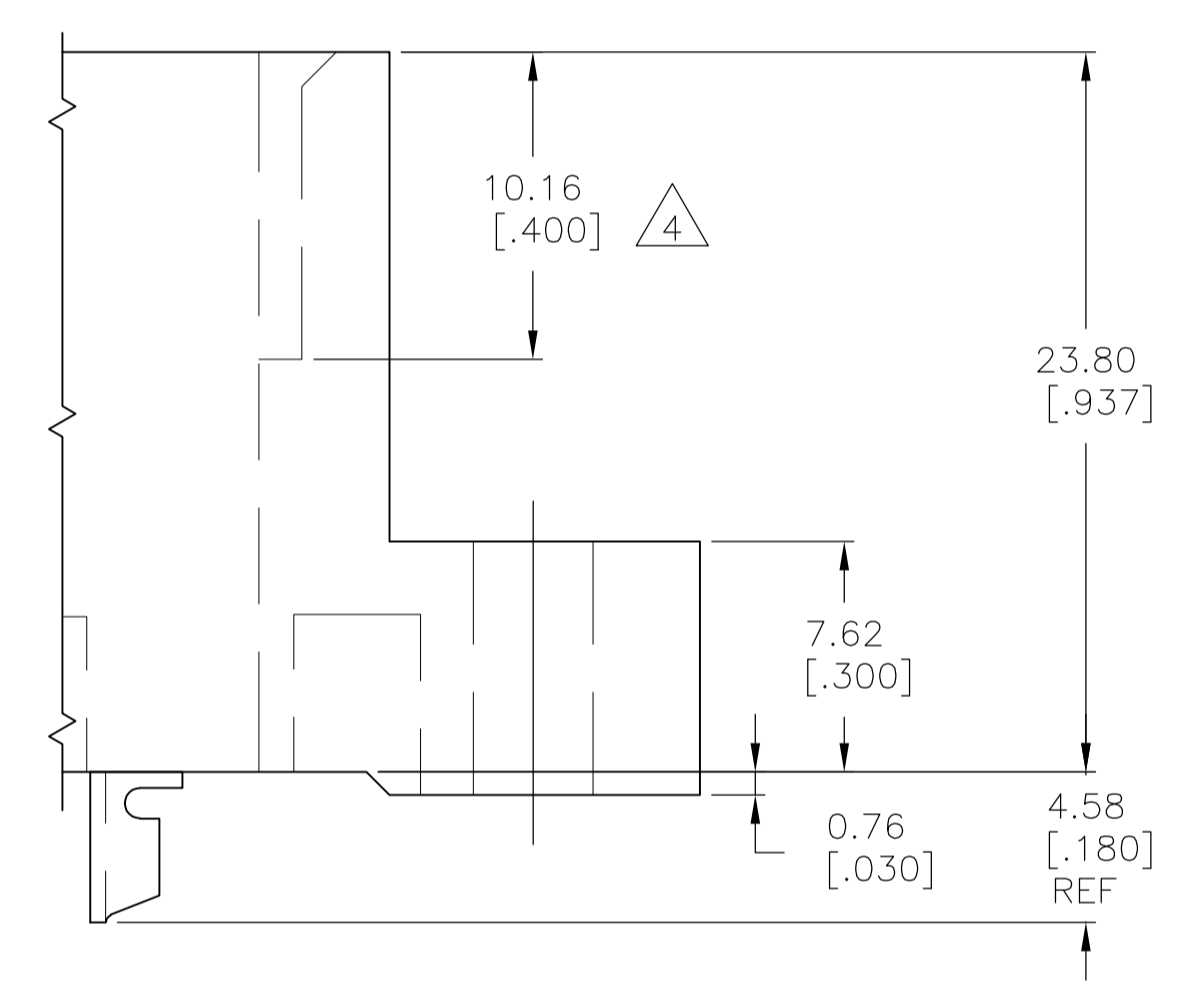
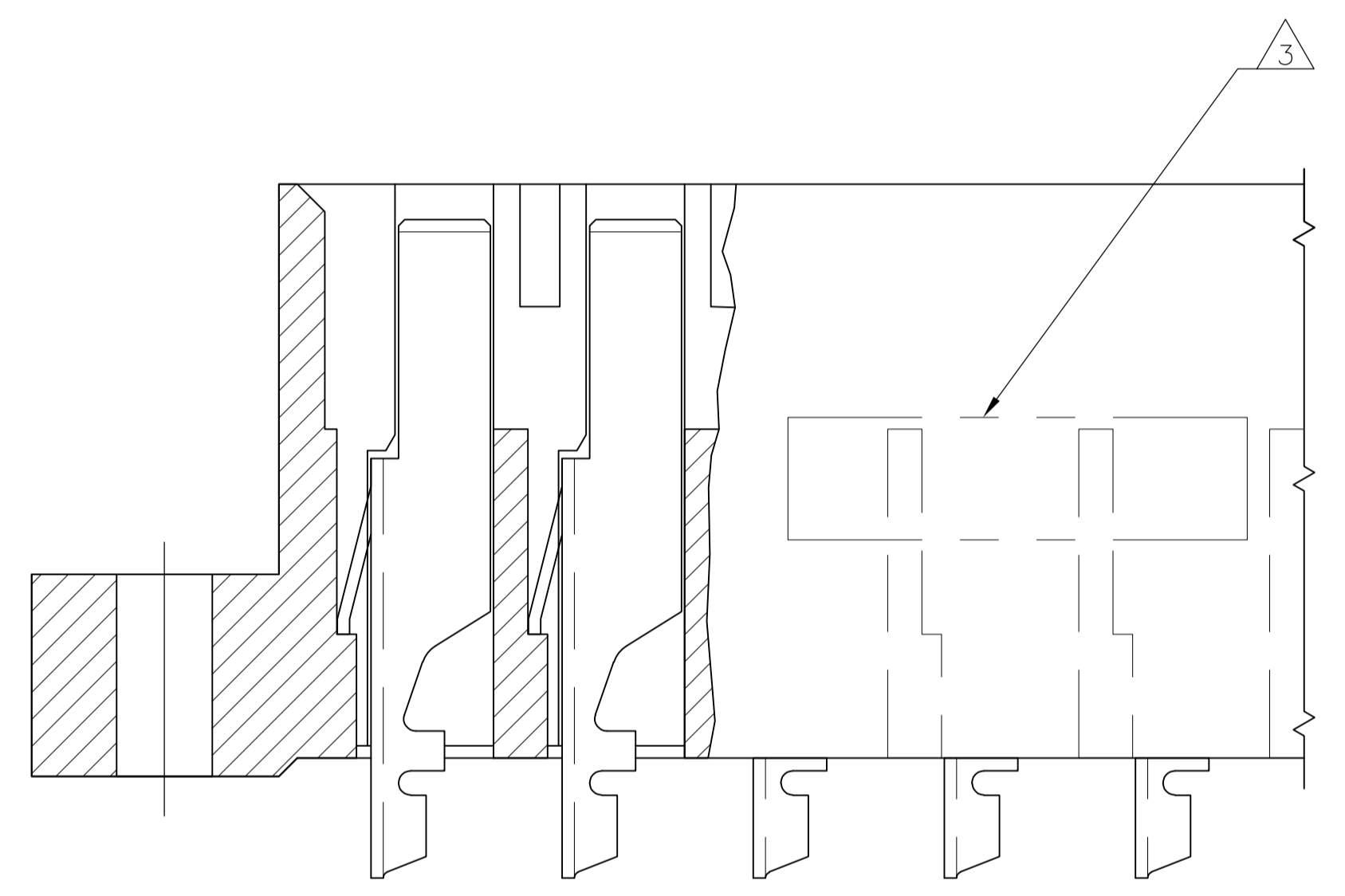


1. A 1/16" THICK DUMMY PC BOARD SHOULD BE INSERTED DURING SOLDERING.
2. MEASURE ACROSS MOUNTING EARS. MAY GOTO .020 OVER NOMINAL AT TOP OF THE HOUSING.
3. AVOID CORING OPTION.
4. MATTE TIN PLATED POST.
5. OBSOLETE PARTS: OBSOLETE CIS STREAMLINING PER D.RENAUD/D.SINISI



	4.346	11	3.832	3.972	4.346	4.780	12	5-531353-9
OBsolete	3.722	9	3.208	3.348	3.722	4.156	10	5-531353-8
	3.410	8	2.896	3.036	3.410	3.844	9	5-531353-7
	3.098	7	2.584	2.724	3.098	3.532	8	5-531353-6
	2.474	5	1.960	2.100	2.474	2.908	6	5-531353-5
OBsolete	2.162	4	1.648	1.788	2.162	2.593	5	5-531353-4
	1.850	3	1.336	1.476	1.850	2.284	4	5-531353-3
OBsolete	1.538	2	1.024	1.164	1.538	1.972	3	5-531353-2
	1.226	1	0.712	0.852	1.226	1.660	2	5-531353-1
	4.346	11	3.832	3.972	4.346	4.780	12	531353-9
OBsolete	3.722	9	3.208	3.348	3.722	4.156	10	531353-8
	3.410	8	2.896	3.036	3.410	3.844	9	531353-7
	3.098	7	2.584	2.724	3.098	3.532	8	531353-6
	2.474	5	1.960	2.100	2.474	2.908	6	531353-5
OBsolete	2.162	4	1.648	1.788	2.162	2.593	5	531353-4
	1.850	3	1.336	1.476	1.850	2.284	4	531353-3
OBsolete	1.538	2	1.024	1.164	1.538	1.972	3	531353-2
	1.226	1	0.712	0.852	1.226	1.660	2	531353-1
	F	E	D	C	B	A	NO. OF POSN	PART NUMBER

THIS DRAWING IS A CONTROLLED DOCUMENT. **STE** TE Connectivity

DIMENSIONS: mm [INCHES]	TOLERANCES UNLESS OTHERWISE SPECIFIED:	DIN R BROWN 230CT94	APVD C MOSHER 230CT94	NAME
	0 PLC ± -	CHK C MOSHER 230CT94	PRODUCT SPEC	CONNECTOR ASSEMBLY, HIGH CURRENT
	1 PLC ± -	APVD C MOSHER 230CT94	APPLICATION SPEC	SIZE CAGE CODE DRAWING NO
	2 PLC ± -			A1 00779 531353
	3 PLC ± .005			RESTRICTED TO
	4 PLC ± -			
	ANGLES ± °			
MATERIAL SEE CALLOUTS	FINISH SEE CALLOUTS	WEIGHT		CUSTOMER DRAWING
			SCALE 4:1	SHEET 1 OF 1 REV H3