

5

4

3

2

1

DRAWING NO.
CP1094U-CUST

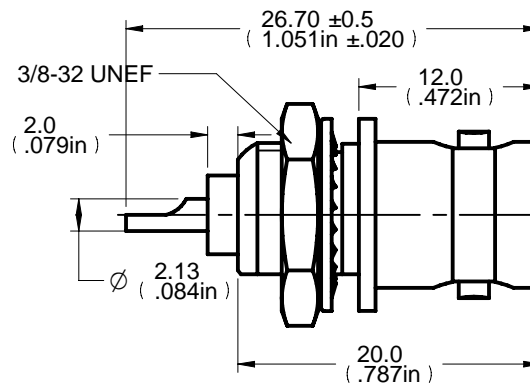
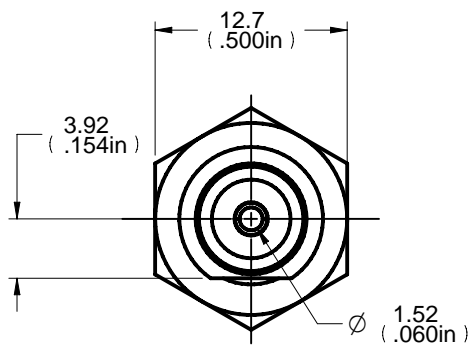
REVISIONS

01	OFFICIAL RELEASE					
	03-20-09	T	W	B	Y	T
02	RELEASE FOR SUPPLIER ALTER					
	07-27-11	Y	G	Y	M	L
03	LOCK WASHER MATERIAL WAS BRASS ADD MORE DIMENSIONS					
	07-27-11	Y	G	Y	M	L
04	3/8-32UNEF WAS 3/8-32UNEF-2A					
	01-11-12	Y	G	Y	M	L

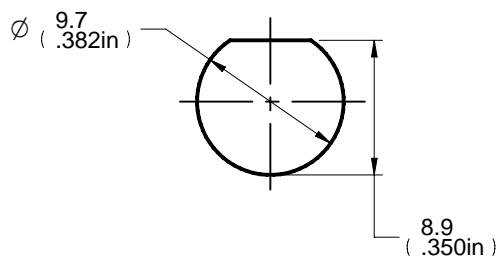
Description: BNC,Front Mount Bulkhead Jack, BeCu Contact
 Part No: CP1094U
 Application: PCB
 Crimp Tool: N/A
 Impedance: 50 Ohms
 Frequency Range: 0-4 GHz
 Material: Body Brass Nickel plated
 Contact Becu Gold plated
 Insulotor Teflon
 Nut Brass Nickel plated
 Lock Washer S50C Nickel plated

RoHS Compliance: Yes

Technical Detail: Refer to Emerson Document P/N 27-0000



RECOMMENDED MOUNTING HOLE DIMENSIONS



DIM OUTLINE

TOLERANCE UNLESS OTHERWISE SPECIFIED		DRAWN BY	DATE
DECIMALS	mm	YUGE HU	07-27-11
X	+ 0.5	CHECKED BY	DATE
X.X	+ 0.2	YUGE HU	07-27-11
X.XX	+ 0.1	APPROVED BY	DATE
ANGLES	+ 0.5°	LIN MA	07-27-11
		U/M	mm

THIS DRAWING WAS PRODUCED BY COMPUTER, DO NOT SCALE DRAWING OR UPDATE MANUALLY.

		Connectivity Solutions	
SHEET	DRAWING NO.	SIZE	
1 OF 1	CP1094U-CUST	A	

CUSTOMER COPY

D

D

C

C

B

B

A

A

5

4

3

2

1