

DO NOT SCALE

DIMENSIONS IN mm

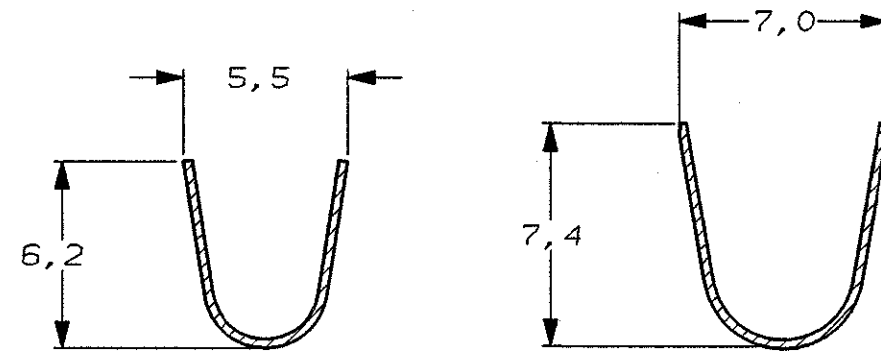
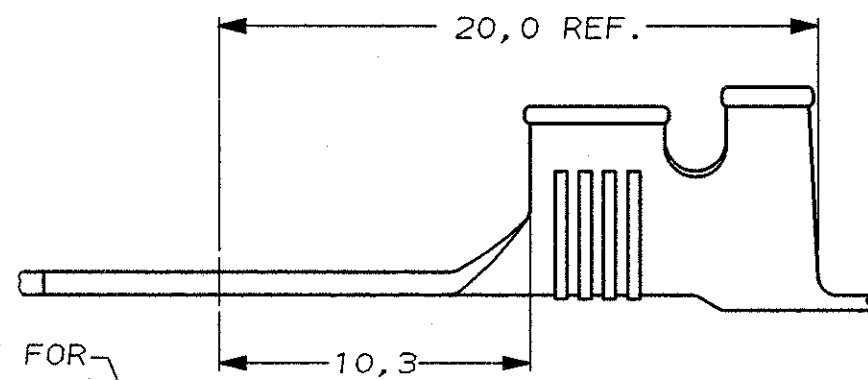
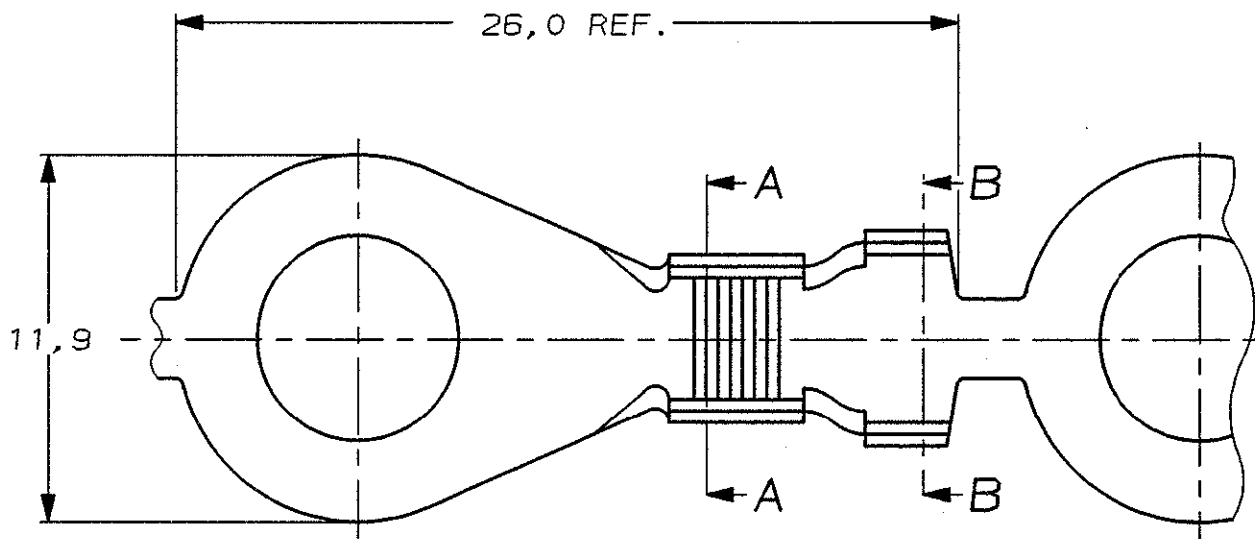
METRIC

THIRD ANGLE
PROJECTION



NOTES:

- ① FOR USE ON STANDARD AND MINIATURE APPLICATORS.
- ② FOR USE ON MINIATURE APPLICATORS. (AMP-O-MATOR APPLICATION)
- ③ REELED WITH PAPER COVER.
- ④ REELED WITH PAPER AND WITH PAPERCOVER
- ⑤ OBSOLETE PARTS: OBSOLETE CIS STREAMLINING PER D.RENAUD/D.SINISI



SECTION A-A

SECTION B-B

6,7 DIA. HOLE FOR
STUD M6.

0,5 MAX.

0,76

WIRE RANGE :
3,1-5,3 mm²

INSULATION RANGE :
3,8-5,3 DIA.

⑤ OBSOLETE	①	TINPLATED	PHOSPHOR BRONZE	160181-7
OBSOLETE	③ ①	UNPLATED	PHOSPHOR BRONZE	160181-6
	④ ①	UNPLATED	BRASS	160181-5
⑤ OBSOLETE	② ①	UNPLATED	BRASS	160181-4
	①	UNPLATED	PHOSPHOR BRONZE	160181-3
	② ①	TINPLATED	BRASS	160181-2
⑤ OBSOLETE	①	UNPLATED	BRASS	160181-1

NOTES	FINISH	MATERIAL	PARTNUMBER
CUSTOMER DRAWING FOR REFERENCE ONLY WILL NOT BE UPDATED			
© COPYRIGHT 19- BY TE HOLLAND B.V. ALL INTERNATIONAL RIGHTS RESERVED. TE PRODUCTS MAY BE COVERED BY U.S. AND FOREIGN AND/OR PATENTS PENDING.			
THIS DRAWING IS UNPUBLISHED RELEASED FOR PUBLICATION , 19			
C2	ECR-10-022530	KK HMR	02FEB11
C1	ECO-09-026346	KK AEG	25NOV09
C	EH-0334-94	HVD AB	20.06.94
B	H-9701	JvdH AB	14-04-92
LTR.	REVISION RECORD	DR.	CHK. DATE
DR. : J.V.D.HEIJDEN.	CHK. : A.BIJNEN.	APP. : L.V.SOEST.	DWG. No. C-160181
DATE: 20-04-83	DATE: 28-04-83	DATE: 28-04-83	REV. LTR. C2 SHEET 1 OF 1



RING TONGUE.

A3