

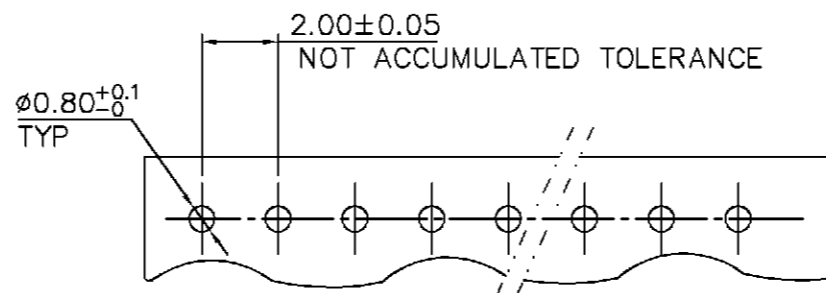
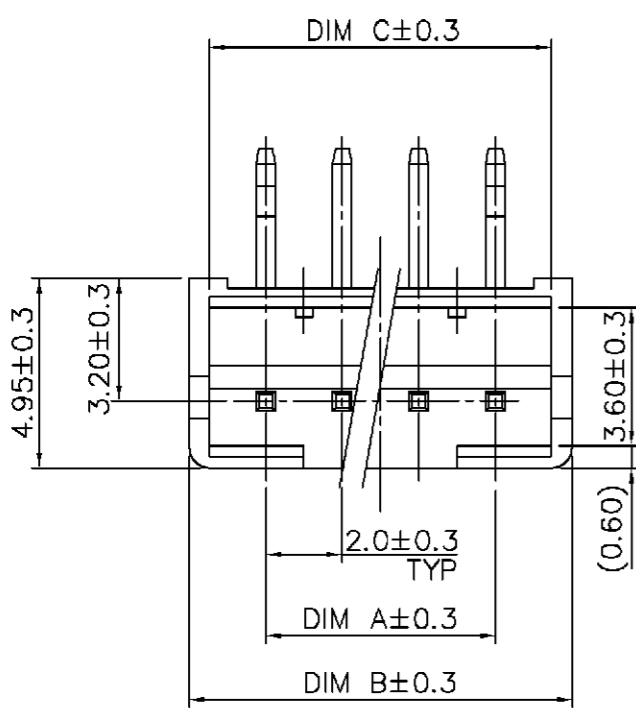
NUMBER
C-440055

METRIC
3RD ANGLE PROJECTION

METRIC

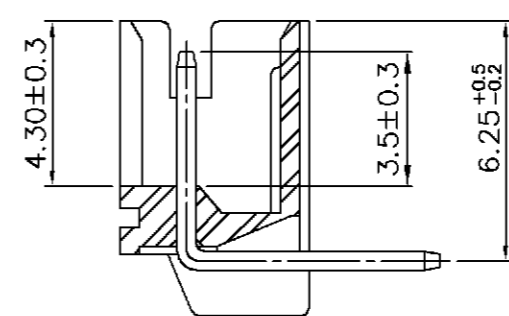
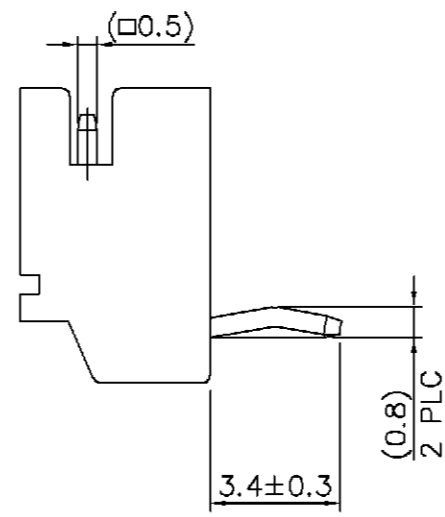
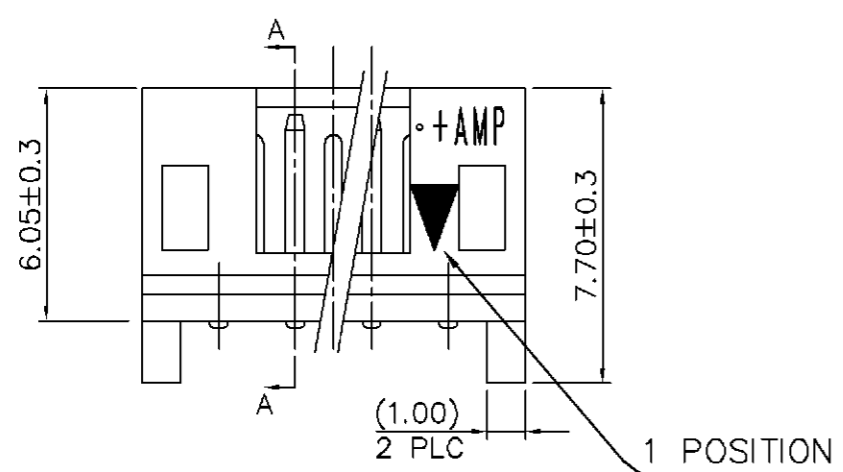
DIMENSIONS IN MILLIMETERS. DO NOT SCALE PRINT.

PRINT DIST
DW

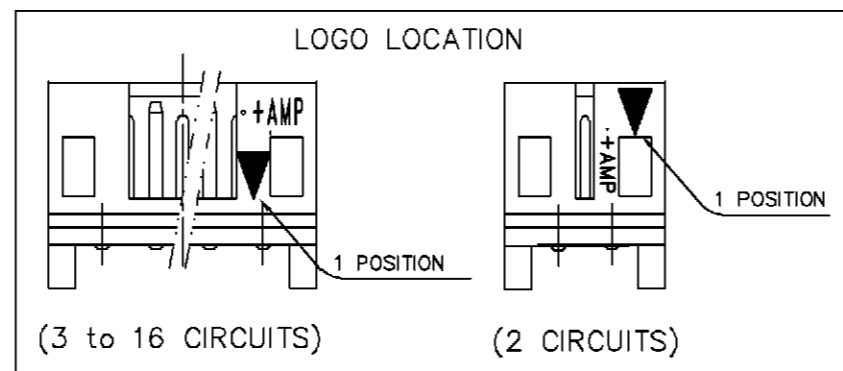
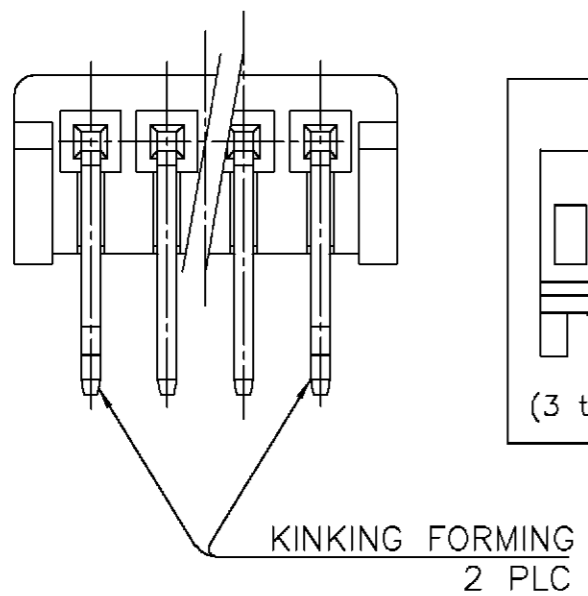


RECOMMENDED PCB LAYOUT
(PCB THK=1.0~1.6)

- NOTE:
- MATERIAL :
HOUSING : THERMOPLASTIC UL94V-0, COLOR: SEE TABLE.
CONTACT : BRASS, THICKNESS=0.50mm.
 - FINISH:
CONTACT : 80u" MIN. TIN PLATED OVER ALL.



SECTION A-A



COLOR	DIM C	DIM B	DIM A	POS.	PART NUMBER
RED	10.90	12.00	8.00	5P	8-440055-5
	8.90	10.00	6.00	4P	8-440055-4
	6.90	8.00	4.00	3P	8-440055-3
	4.90	6.00	2.00	2P	8-440055-2
BLACK	10.90	12.00	8.00	5P	6-440055-5
	8.90	10.00	6.00	4P	6-440055-4
	6.90	8.00	4.00	3P	6-440055-3
	4.90	6.00	2.00	2P	6-440055-2
YELLOW	24.90	26.00	22.00	12P	5-440055-2
	22.90	24.00	20.00	11P	5-440055-1
	20.90	22.00	18.00	10P	5-440055-0
	18.90	20.00	16.00	9P	4-440055-9
	16.90	18.00	14.00	8P	4-440055-8
	14.90	16.00	12.00	7P	4-440055-7
	12.90	14.00	10.00	6P	4-440055-6
	10.90	12.00	8.00	5P	4-440055-5
	8.90	10.00	6.00	4P	4-440055-4
	6.90	8.00	4.00	3P	4-440055-3
4.90	6.00	2.00	2P	4-440055-2	
BLUE	10.90	12.00	8.00	5P	2-440055-5
	8.90	10.00	6.00	4P	2-440055-4
	6.90	8.00	4.00	3P	2-440055-3
	4.90	6.00	2.00	2P	2-440055-2
NATURAL WHITE	32.90	34.00	30.00	16P	1-440055-6
	30.90	32.00	28.00	15P	1-440055-5
	28.90	30.00	26.00	14P	1-440055-4
	26.90	28.00	24.00	13P	1-440055-3
	24.90	26.00	22.00	12P	1-440055-2
	22.90	24.00	20.00	11P	1-440055-1
	20.90	22.00	18.00	10P	1-440055-0
	18.90	20.00	16.00	9P	440055-9
	16.90	18.00	14.00	8P	440055-8
	14.90	16.00	12.00	7P	440055-7
12.90	14.00	10.00	6P	440055-6	
10.90	12.00	8.00	5P	440055-5	
8.90	10.00	6.00	4P	440055-4	
6.90	8.00	4.00	3P	440055-3	
4.90	6.00	2.00	2P	440055-2	

TOLERANCES UNLESS OTHERWISE SPECIFIED:		DWN O. HU 09-JUN-2003		
0 PLC ±0.30 1 PLC ±0.25 2 PLC ±0.20 3 PLC ±0.15 ANGLES ±		CHK A. WU 09-JUN-2003		
MATERIAL		APVD J. CHENG 09-JUN-2003		2.0 MM PITCH HPI, RIGHT-ANGLE POST HEADERS
SEE NOTE		PRODUCT SPEC 108-57100		
FINISH		APPLICATION SPEC -		LOC DW A ₃ DRAWING NO C-440055 REV B1
SEE NOTE		WEIGHT		SCALE -- SHEET 1 OF 2

B1	REVISION RECORD	REVISD PER ECO-11-005294	RK HMR DWN CHK	5APR11 DATE
LTR	ECO			

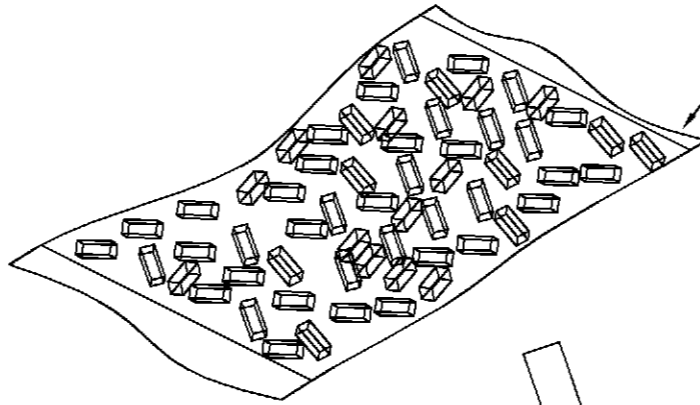
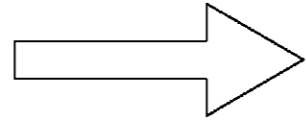
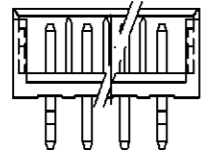
NUMBER
C-440055

3RD ANGLE PROJECTION

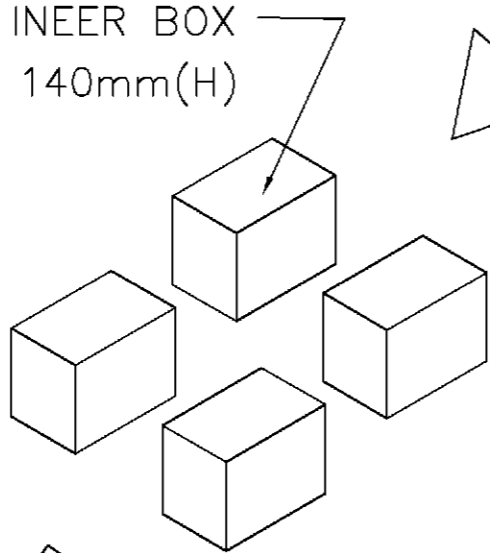
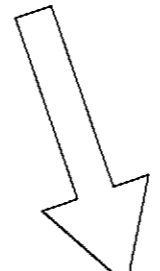
METRIC

DIMENSIONS IN MILLIMETERS. DO NOT SCALE PRINT.

PRINT DIST
DW

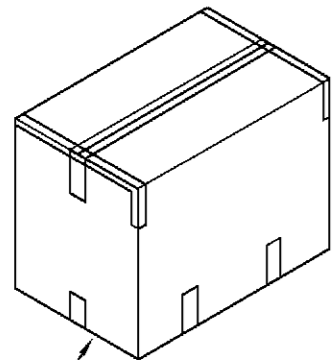
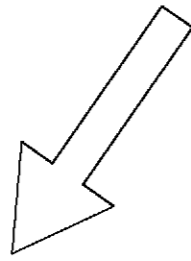
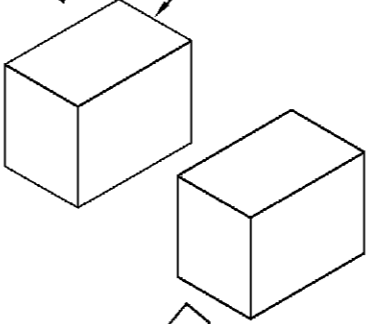


POLY BAG
127mm(L)X 203mm(W)X 0.07mm(H)

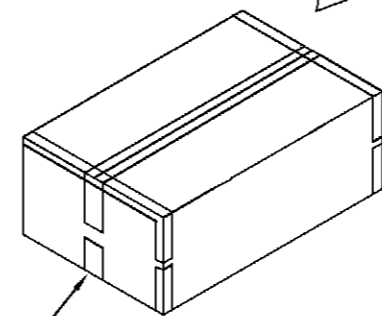


INEER BOX
320mm(L)X 220mm(W)X 140mm(H)

INEER BOX
320mm(L)X 220mm(W)X 140mm(H)



CARTON
340mm(L)X 470mm(W)X 316mm(H)
(FOR HEADER 6P~16P ONLY)



CARTON
340mm(L)X 470mm(W)X 168mm(H)
(FOR HEADER 2P~5P ONLY)

14,400	450	5P	8-440055-5
17,600	550	4P	8-440055-4
24,000	1,000	3P	8-440055-3
32,000	1,000	2P	8-440055-2
14,400	450	5P	6-440055-5
17,600	550	4P	6-440055-4
24,000	1,000	3P	6-440055-3
32,000	1,000	2P	6-440055-2
12,800	200	12P	5-440055-2
14,000	250	11P	5-440055-1
14,000	250	10P	5-440055-0
16,800	300	9P	4-440055-9
19,200	300	8P	4-440055-8
22,400	350	7P	4-440055-7
25,600	400	6P	4-440055-6
14,400	450	5P	4-440055-5
17,600	550	4P	4-440055-4
24,000	1,000	3P	4-440055-3
32,000	1,000	2P	4-440055-2
14,400	450	5P	2-440055-5
17,600	550	4P	2-440055-4
24,000	1,000	3P	2-440055-3
32,000	1,000	2P	2-440055-2
10,080	180	16P	1-440055-6
10,800	180	15P	1-440054-5
10,400	200	14P	1-440055-4
9,600	200	13P	1-440055-3
12,800	200	12P	1-440055-2
14,000	250	11P	1-440055-1
14,000	250	10P	1-440055-0
16,800	300	9P	440055-9
19,200	300	8P	440055-8
22,400	350	7P	440055-7
25,600	400	6P	440055-6
14,400	450	5P	440054-5
17,600	550	4P	440055-4
24,000	1,000	3P	440055-3
32,000	1,000	2P	440055-2
APQ	PPQ	POS.	PART NUMBER
(PCS/CARTON)	(PCS/BAG)		

TOLERANCES UNLESS OTHERWISE SPECIFIED: 0 PLC ± 1 PLC ± 2 PLC ± 3 PLC ± ANGLES ±	DWN	O. HU	TE Connectivity NAME
		09-JUN-2003	
MATERIAL SEE SHEET 1.	CHK	A. WU	2.0 MM PITCH HPI, RIGHT- ANGLE POST HEADERS
		09-JUN-2003	
FINISH SEE SHEET 1.	APVD	J. CHENG	LOC SIZE DRAWING NO REV DW A ₃ C-440055 B1
		09-JUN-2003	
	PRODUCT SPEC	108-57100	
	APPLICATION SPEC	-	
	WEIGHT	-	SCALE SHEET
			-- 2 OF 2

LTR	REVISION RECORD	ECO	DWN	CHK	DATE
	SEE SHEET 1.				