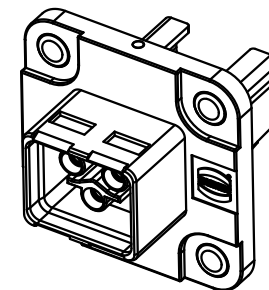
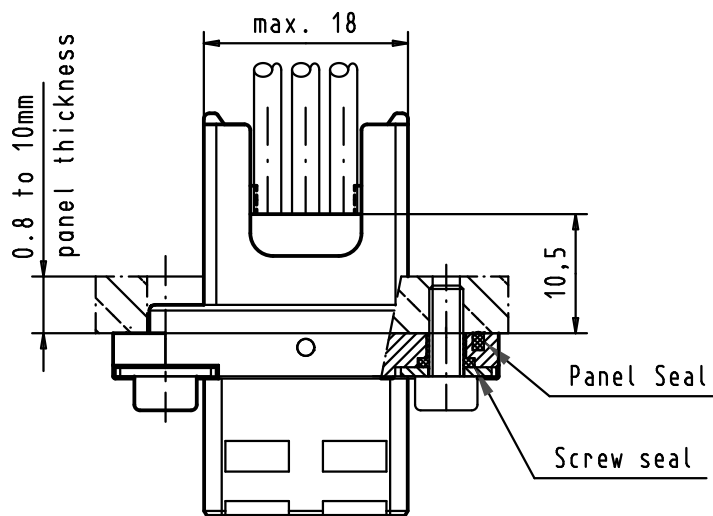
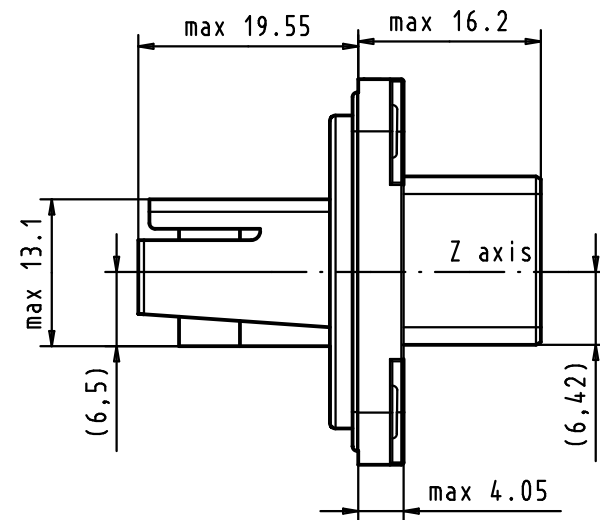
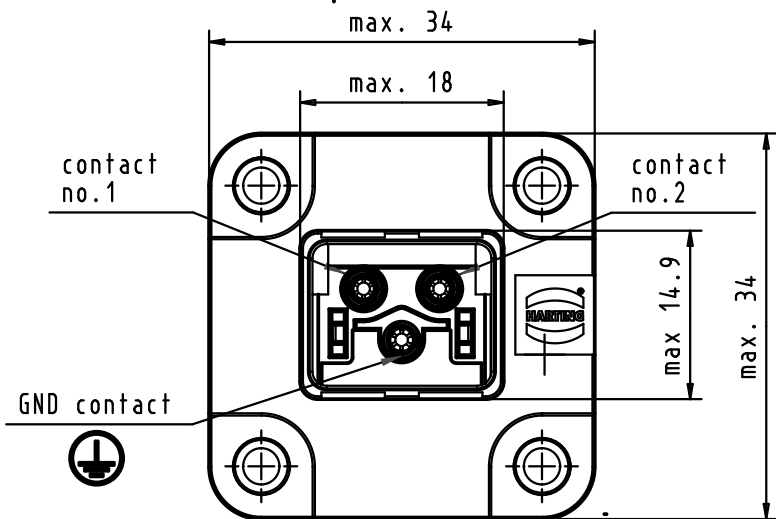
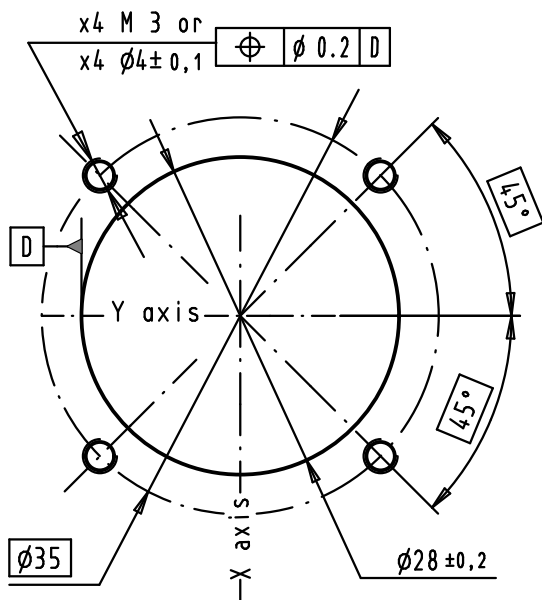


Panel cutting



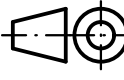

Scale 1:1

x3 stranded wires 1,5 mm²

connectors pitch on panel = 35mm

Receptacle mating face acc. to IEC 61076-3-106 - variant 04

Screwing by x4 M3 screws with torque 0.5 N.m and flat washer under the screw .

				Dot.	Name	 All Dim. in mm Orig. Size DIN A 4	push pull power easy install IP67 PANEL FEED THROUGH 16A-250V WITH POWER FIXED CRIMP CONNECTOR	Maßstab/ Scale 3:2
			Detail.	28/02/07	BD			
			Insp.					
			Stand.					
33949	28/02/07	BD	HARTING EURL F-95972 Paris				TB 09 46 245 3430	Blatt/ Page 1 / 1
Mod.	Dot.	Name						