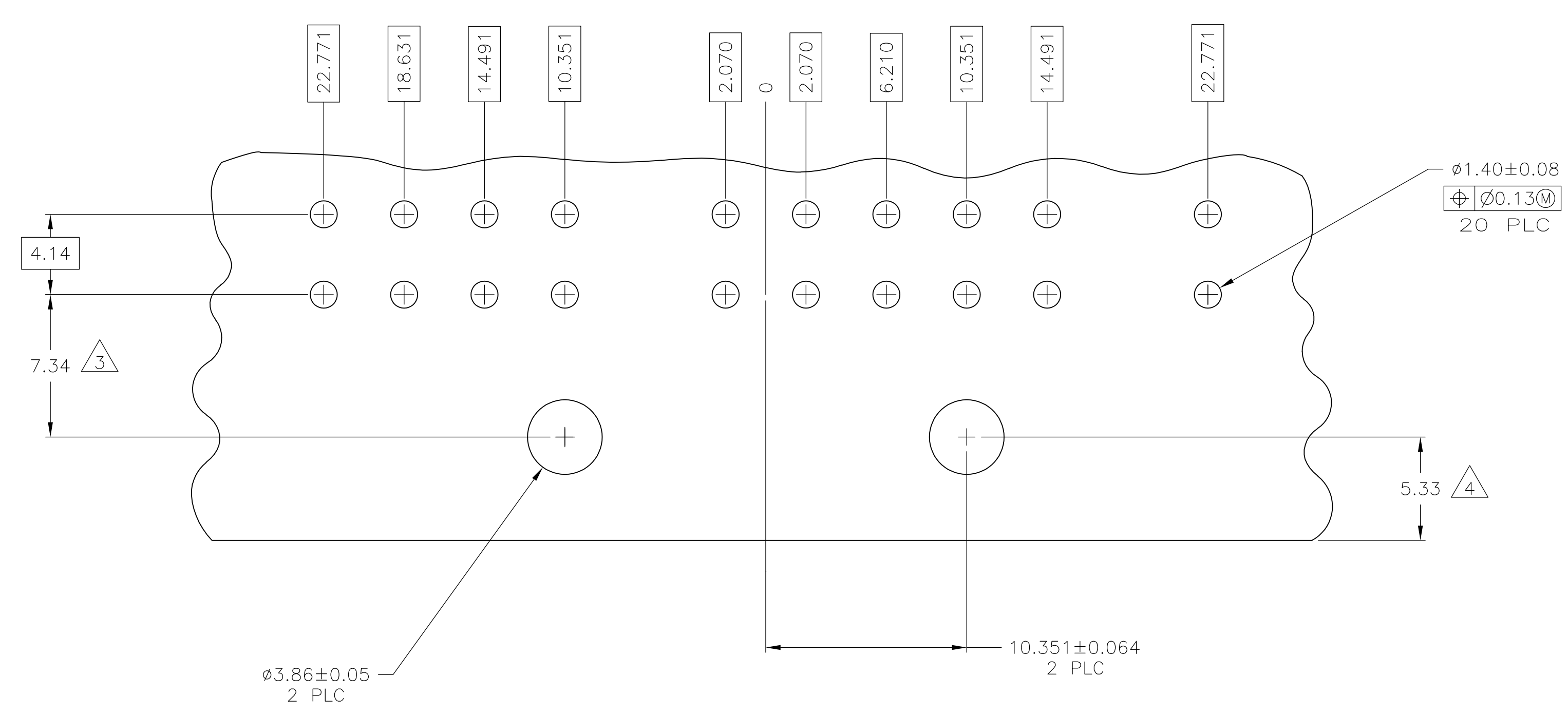
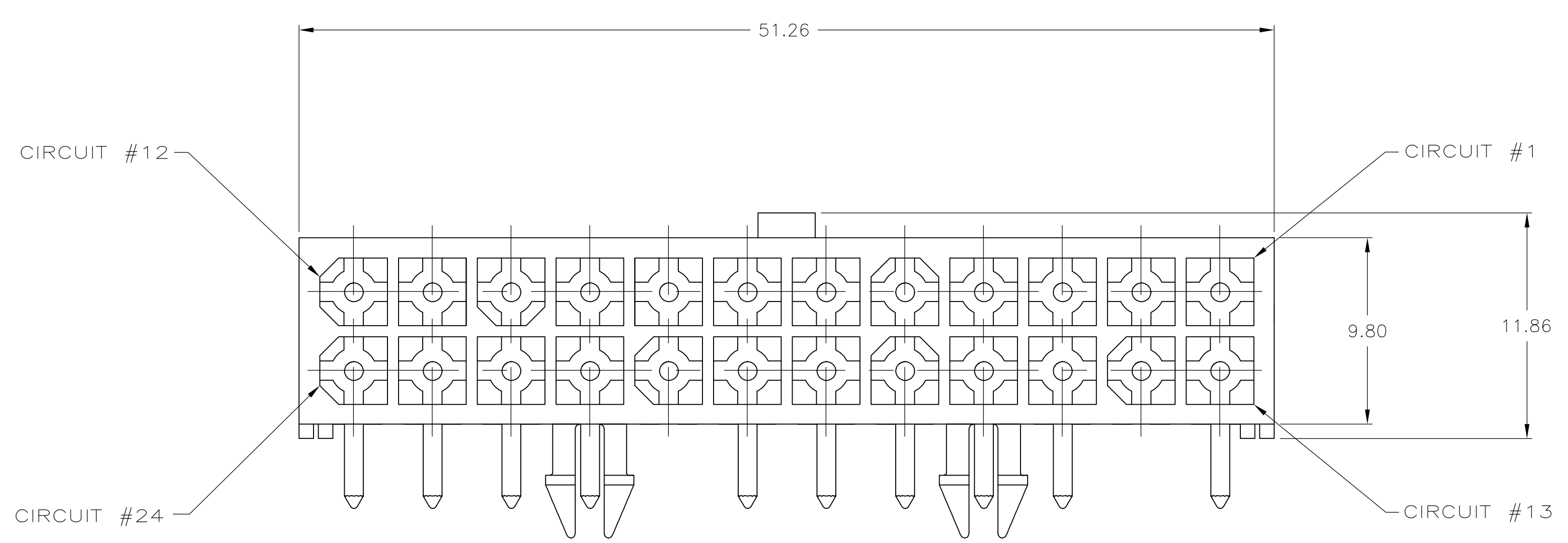
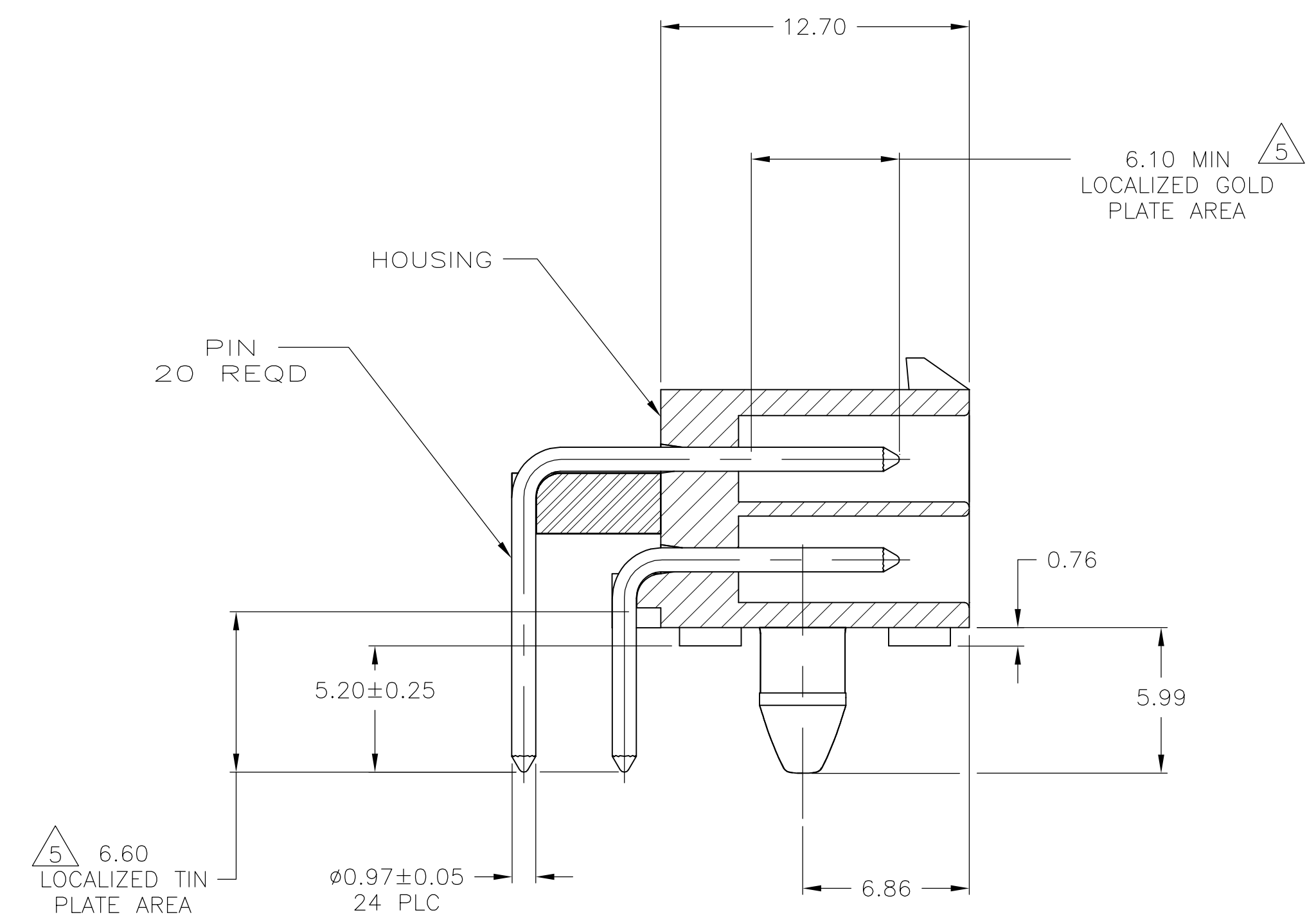


LOC		DIST		REVISIONS			
CM	00	P	LTR	DESCRIPTION	DATE	DWN	APVD
C				REVISED PER ECR-15-010337	23JUL2015	RK	SC



RECOMMENDED MOUNTING HOLE PATTERN FOR 1.57 THICK P.C. BOARD

- 1 PINS TO COMPLY WITH AMP SOLDERABILITY SPEC 109-11-3.
- 2 MATES WITH PLUG P/N 770587-1.
- 3 COORDINATE DIMENSION APPLIES FROM CENTER OF ACTUAL FEATURE.
- 4 RECOMMENDED FOR EDGE MOUNTING.
- 5 0.00076 MIN GOLD PLATE IN THE LOCALIZED GOLD PLATE AREA, 0.00381 MIN MATTE TIN IN THE LOCALIZED TIN PLATE AREA, BOTH OVER 0.00127 MIN NICKEL.

1.00	.039	6.10	.240	51.26	2.018
0.76	.030	5.99	.236	22.771	.8965
0.25	.010	5.33	.210	18.631	.7335
0.13	.005	5.08	.200	14.491	.5705
0.08	.003	4.14	.163	12.70	.500
0.064	.0025	3.86	.152	10.351	.4075
0.05	.002	3.68	.145	9.80	.386
0.00381	.000150	2.070	.0815	7.34	.289
0.00127	.000050	1.57	.062	6.86	.270
0.00076	.000030	1.40	.055	6.210	.2445
MM	IN	MM	IN	MM	IN

CONVERSION TABLE

2,8,14,&20	BRASS	TIN	NYLON, UL94V-0	WHITE	1586746-2
PIN OMITTED	MATERIAL	FINISH	MATERIAL	COLOR	PART NO.
THIS DRAWING IS A CONTROLLED DOCUMENT.		DIN K. WHITAKER 02FEB2006 CHK C. JONES 02FEB2006 APVD C. JONES 02FEB2006		STE TE Connectivity	
DIMENSIONS: mm TOLERANCES UNLESS OTHERWISE SPECIFIED: 0 PLC ± - 1 PLC ± - 2 PLC ± 0.13 3 PLC ± - 4 PLC ± - ANGLES ± -		NAME: HEADER ASSEMBLY, RIGHT ANGLE, W/SHORT PEG, 24 CIRCUIT, SPECIAL, MINI UNIVERSAL MATE-N-LOK(TM) APPLICATION SPEC:		SIZE: A1 CAGE CODE: 00779 DRAWING NO: 1586746 RESTRICTED TO:	
MATERIAL: SEE TABLE	FINISH: SEE TABLE	WEIGHT: -	CUSTOMER DRAWING		
		SCALE: 5:1	SHEET: 1 OF 1	REV: C	