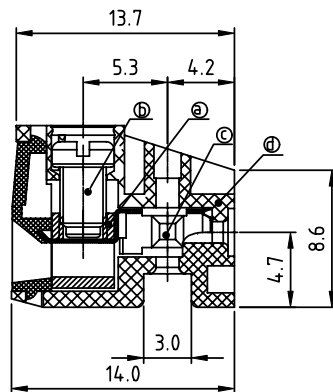
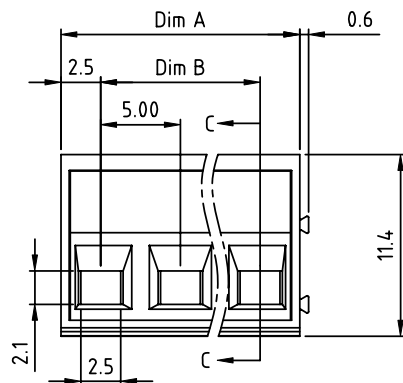
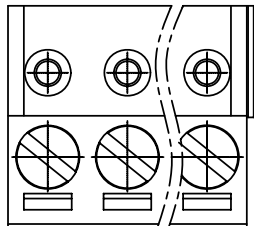


PRODUCT NUMBER	PITCH
TTxx01x000J0G	5.00 mm



Section C-C

Material

- Item ① Clamp: Brass(CuZn) Ni plated
- Item ② Terminal screw: Steel Zinc plating "-" slot type
- Item ③ Female contact: PhBz, Au plated.
- Item ④ Terminal(housing): Thermoplastic (UL94V-0)

Electrical cULus

- Voltage rating: 300VAC
- Current rating: 10A
- Wire range:
- Solid wire(AWG): 16-22
- Stranded wire(AWG): 16-22
- Torque(Lb-In): 1.7
- Screw: M3
- Wire strip length: 5-6mm
- Withstanding Voltage: 1.6KV
- Operating temperature: -40°C to +115°C
- Safety approval: cULus

N = Number of poles
 Dim A=Nx5.0
 Dim B=(N-1)x5.0

poles	Dim A	Dim B
2-6p	±0.15	±0.10
7-12p	±0.25	±0.15
13-18p	±0.30	±0.20
19-24p	±0.40	±0.30

PART NO.: TT xx 01 x 0 00J0 G

	End Stackable	Body Color	RoHS compliant
0	0	Black (RAL9005)	(lead<4%)
2	2	Red (RAL3001/D)	In copper Alloy
02	2 poles	3 Orange(RAL2011/P)	
03	3 poles	4 Yellow(RAL1018/A)	
...	...	5 Green(RAL6018/T)	
24	24 poles	6 Blue (RAL5015/A)	
		8 Grey(RAL7035/D)	
		9 White(RAL1102)	
		C Green(RAL6018/U)	

mat'l. code				surface ASME Y14.5 ✓		tolerance ASME Y14.5		projection		product family			
itr				ecn no		dr		date		tolerances unless otherwise specified		TERMINAL BLOCK	
				angles		X.±0.5		MM		title			
				X*±1"		X.X±0.3		scale		TERMINAL BLOCK			
				X.XX±0.1		scale		PLUGGABLE,180D WIRE INLET,END STACKABLE					
dr				EVIN ZHONG		041614		FCI		dwg no		sheet 1 of 1 size	
enr				EVIN ZHONG		041614				TTxx01x000J0G		A4	
chr				HANKE FENG		041614				type		CUSTOMER Drawing	
appd				SHI JUN		041614							
sheet index		revision sheet		A		1							