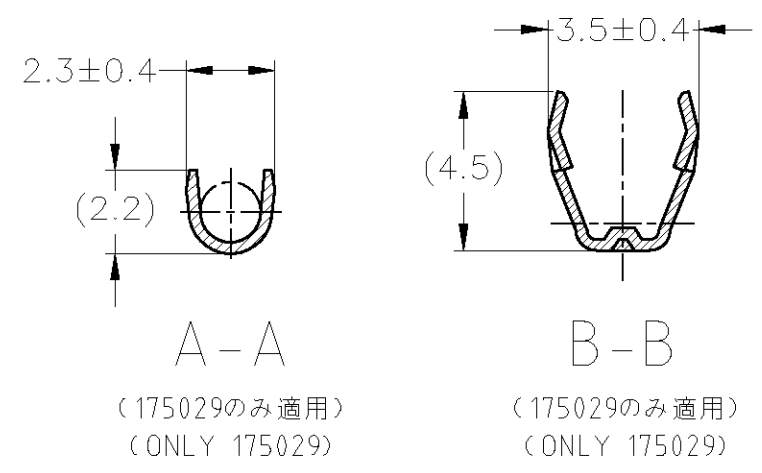
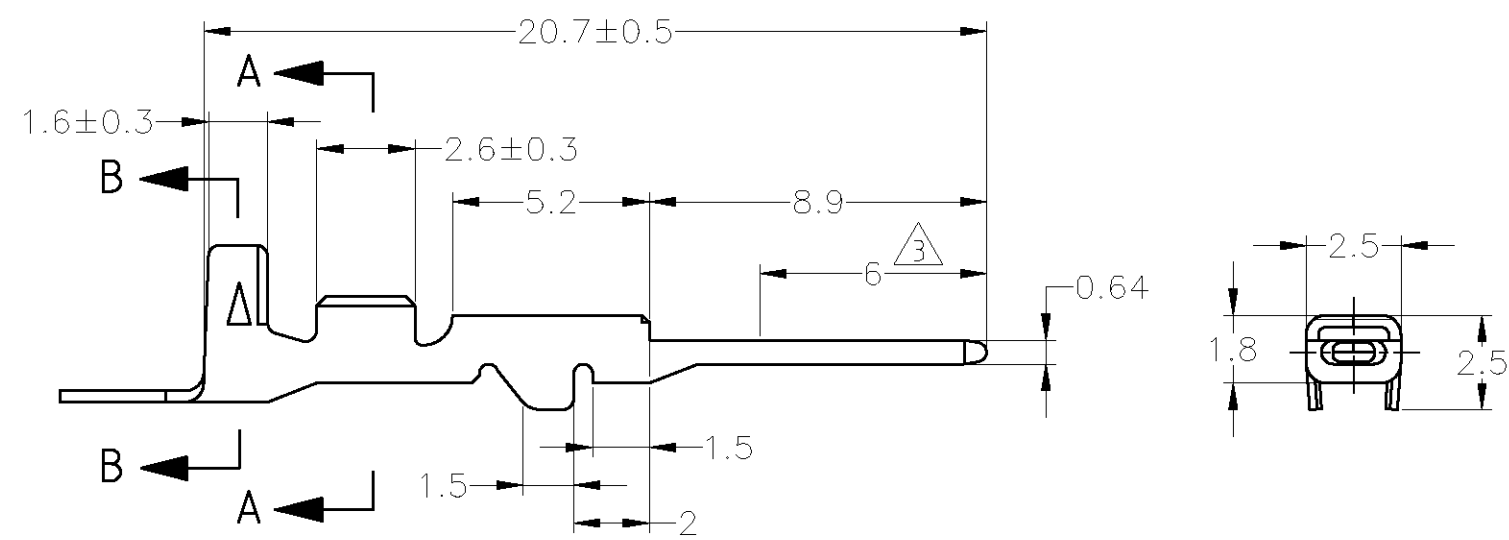
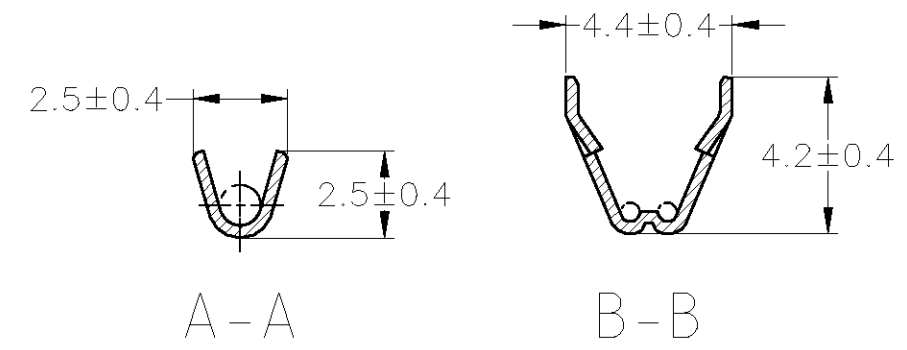
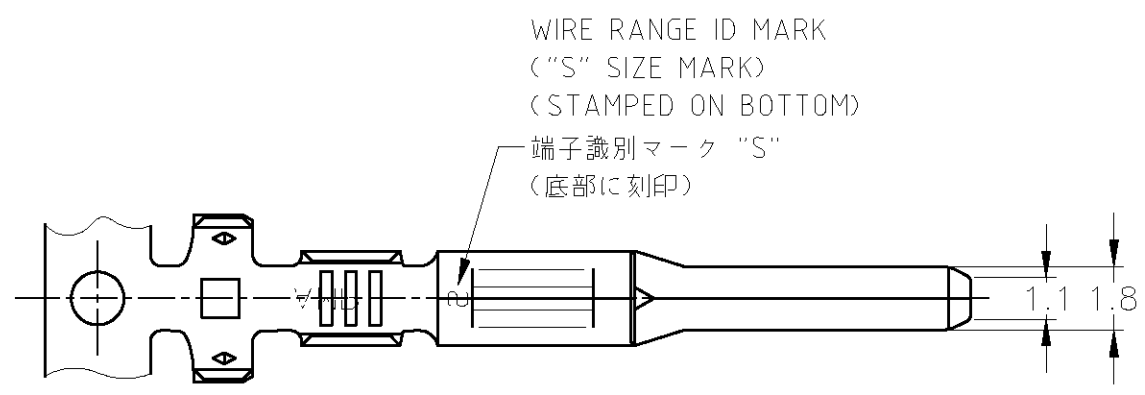


THIS DRAWING IS UNPUBLISHED. RELEASED FOR PUBLICATION
 © COPYRIGHT - By Tyco Electronics JAPAN G.K. ALL RIGHTS RESERVED.

LOC	DIST	REVISIONS					
J	-	P	LTR	DESCRIPTION	DATE	DWN	APVD
		D1		REDRAWN W/CHANGE	ECR-12-010663	14JUN2012	TS KB



- 1. 製品規格番号; 108-5231, 108-5264
- 2. 嵌合相手端子型番; 173630 他
- 3. 部分金めっき, 他はニッケルめっき

- 1. PRODUCT SPECIFICATION NO.; 108-5231, 108-5264
- 2. RECEPTACLE CONTACT; 173630 etc.
- 3. SELECTIVE GOLD PLATING, REMAINDER NICKEL PLATING

175029-3	部分金めっき SELECTIVE GOLD $\triangle 3$	リン青銅 板厚0.32 PHOS BRO. t=0.32	173633-3		
175029-2	錫めっき済み PRE-TINNED	リン青銅 板厚0.32 PHOS BRO. t=0.32	173633-2		
175029-1	錫めっき済み PRE-TINNED	黄銅 板厚0.32 BRASS t=0.32	173633-1		
WIRE RANGE AVS 0.2~0.3mm ² (AWG#24-#22)	INSULATION DIA. 1.4~1.9mmφ	バラ端子型番 LOOSE PIECE NUMBER	仕上げ FINISH	材料 MATERIAL	型番 PART NUMBER

THIS DRAWING IS A CONTROLLED DOCUMENT.	
DIMENSIONS: mm	TOLERANCES UNLESS OTHERWISE SPECIFIED:
	0 PLC ± -
	1 PLC ± -
	2 PLC ± -
	3 PLC ± -
	4 PLC ± -
	ANGLES ± -
MATERIAL SEE TABLE	FINISH SEE TABLE

TOLERANCES UNLESS OTHERWISE SPECIFIED:	
10 ≥	: ±0.2
30 ≥ > 10	: ±0.25
100 ≥ > 30	: ±0.3
ANGLE : ±3°	

STE TE Connectivity

070 SERIES TAB CONTACT

114-5092

0.3 g

A300779 C-173633

SCALE 5:1 SHEET 1 OF 1 REV D1