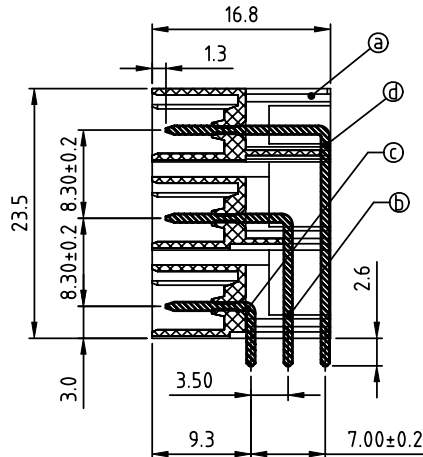
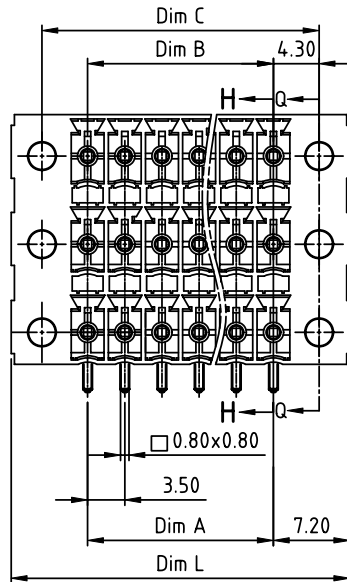
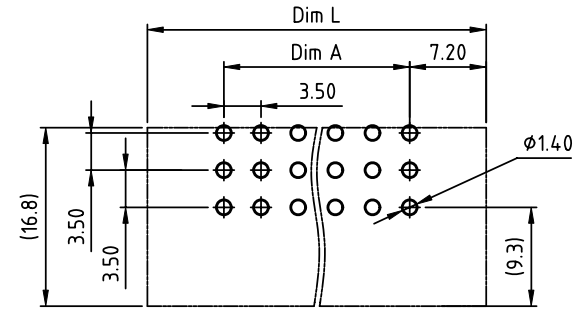


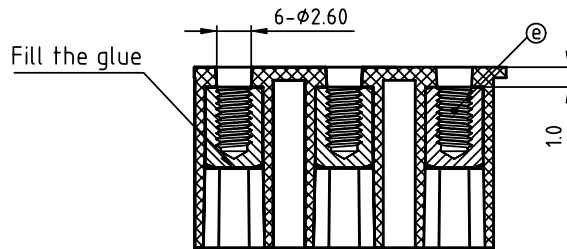
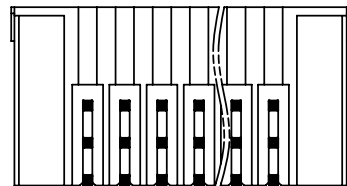
PRODUCT NUMBER	PITCH
K3xx12x1A0J0G	3.50 mm



SECTION H-H



RECOMMENDED P.C.B LAYOUT
TOP VIEW



SECTION Q-Q

Material:

- Item a Terminal(housing): Thermoplastic (UL94V-0)
- Item b Pin1: copper Tin plated
- Item c Pin2: copper Tin plated
- Item d Pin3: copper Tin plated
- Item e Flange screw NUT: Brass M 2.5

Electrical:

- Voltage rating: 160V
- Current rating: 5.5A
- Withstanding Voltage: 132 KV
- Operating temperature: -40°C to +115°C
- Soldering temperature: 260°C ±5°C/5 Sec
- Safety Approval: cULus

DIMENSION

Dim L	(N/3-1) × 3.5+5.0
Dim A	(N/3-1) × 3.5
Dim B	(N/3-1) × 3.5
Dim C	(N/3-1) × 3.5+8.6

POLES	Tolerance
3x2P-3x6P	±0.15
3x7P-3x12P	±0.20
3x13P-3x18P	±0.25
3x19p-3x24p	±0.30

PART NO.: K3 xx 1 2 x 1 A0J0 G

Solid block	0	Black (RAL9005)	RoHS compliant (lead<4%) In copper Alloy
No. of poles	2	Red (RAL3001/D)	
06 3x2poles	3	Orange(RAL2011/P)	
09 3x3poles	4	Yellow(RAL1018/A)	
...	...	5 Green(RAL6018/T)	
72 3x24poles	6	Blue (RAL5015/A)	
	8	Grey(RAL7035/D)	
	9	White(RAL1102)	
	C	Green(RAL6018/U)	

mat'l. code		surface ASME Y14.5	tolerance ASME Y14.5	projection	product family
ltr	ecn no	dr	date	tolerances unless otherwise specified	TERMINAL BLOCK
				angles	title
				MM	TERMINAL BLOCK
				X±0.5	PLUGGABLE SOCKET, WITH FLANGE, RIGHT ANGLE
				X.X±0.3	scale
				X.XX±0.1	dwg no
		dr	EVIN ZHONG	042514	sheet 1 of 1
		enr	EVIN ZHONG	042514	size
		chr	HANKE FENG	042514	K3xx12x1A0J0G
		appd	SHI JUN	042514	A4
sheet index	revision	A			type
	sheet	1			CUSTOMER Drawing