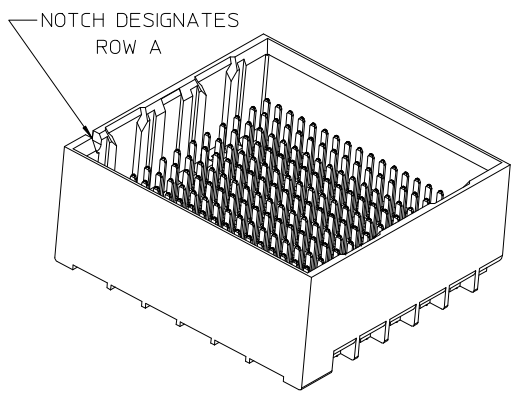


KEEP OUT ZONE
 UNGUIDED
 BACKPLANE HOLE PATTERN
 (CONNECTOR SIDE)
 SEE NOTE 9
 $\varnothing 0.10$
 SEE PART NUMBER CHART
 AND
 PART NUMBER LOGIC
 (18 HOLES PER COLUMN)

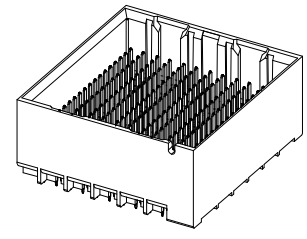


- NOTES:
1. MATERIALS: HOUSING - LIQUID CRYSTAL POLYMER (LCP)
GLASS-FILLED, UL94V-0
TERMINALS - HIGH PERFORMANCE COPPER ALLOY
 2. FINISH: 30μ MIN GOLD IN CONTACT AREA.
SELECTIVE TIN ON PCB TAILS.
NICKEL OVERALL.
 3. REFER TO MOLEX PRODUCT SPECIFICATION PS-76060-999
FOR PERFORMANCE SPECIFICATIONS AND ADDITIONAL PCB INFORMATION.
 4. THIS PART CONFORMS TO CLASS B REQUIREMENTS OF
MOLEX COSMETIC SPEC PS-45499-002.
 5. PACKAGE PER: PK-70873-760.
 6. SEE SHEETS 2 & 3 FOR PART NUMBERS AND BOARD RELATIONSHIPS.
 7. MATES WITH IMPACT ORTHO DC SERIES NO. 76290.
 8. REFER TO MOLEX PCB ROUTING GUIDE AS-76060-990 FOR ANTI PAD AND
ROUTING RECOMMENDATIONS.
 9. THESE DIMENSIONS REPRESENT THE AREA NEEDED TO ACCOMMODATE
CONNECTOR INSERTION AND REPAIR ON THE PC BOARD. THIS IS REFERRED
TO AS THE "CONNECTOR KEEP OUT ZONE" AND DOES NOT REPRESENT THE
ACTUAL PERIMETER OF THE CONNECTOR. WHEN LAYING OUT A PC BOARD FOR
CONNECTORS STACKED TOGETHER, USE A 1.9mm PROGRESSION.

INITIAL RELEASE EC NO: UCP2016-3253 DRWN: JMENDOZA 2016/02/18 CHKD: APPR: TELO 2016/02/22	QUALITY SYMBOLS ▽=0 ▽=0	GENERAL TOLERANCES (UNLESS SPECIFIED)		DIMENSION STYLE	SCALE	DESIGN UNITS	THIRD ANGLE PROJECTION	
				MM ONLY	4:1	METRIC		
				DRAWN BY	DATE	TITLE		
				CHECKED BY	DATE	IMPACT 6 PAIR ORTHO MATE UNGUIDED HEADER ASSEMBLY SALES DRAWING		
				APPROVED BY	DATE	MATERIAL NO.		
				TELO	2016/02/22	DOCUMENT NO.		
				SEE CHART		MOLEX INCORPORATED		
				DRAFT WHERE APPLICABLE MUST REMAIN WITHIN DIMENSIONS		SD-76289-0001		
				SIZE C		SHEET NO.		
				THIS DRAWING CONTAINS INFORMATION THAT IS PROPRIETARY TO MOLEX. INCORPORATED AND SHOULD NOT BE USED WITHOUT WRITTEN PERMISSION		1 OF 3		

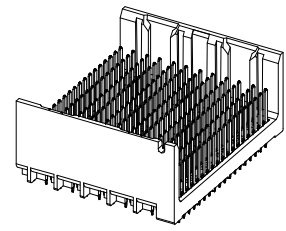
PART NUMBER CHART

MATERIAL NUMBER	# OF COLUMNS	# OF DIFF PAIR	DIM "A"	DIM "B"	DUAL END WALL OPTION
76289-112*	10	60	22.90	18.10	
76289-122*	12	72	26.95	22.15	



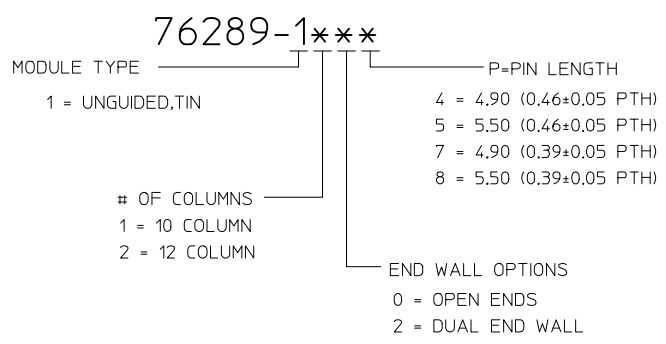
DUAL END
WALL OPTION

MATERIAL NUMBER	# OF COLUMNS	# OF DIFF PAIR	DIM "A"	DIM "B"	OPEN WALL OPTION
76289-110*	10	60	20.10	18.10	
76289-120*	12	72	24.15	22.15	



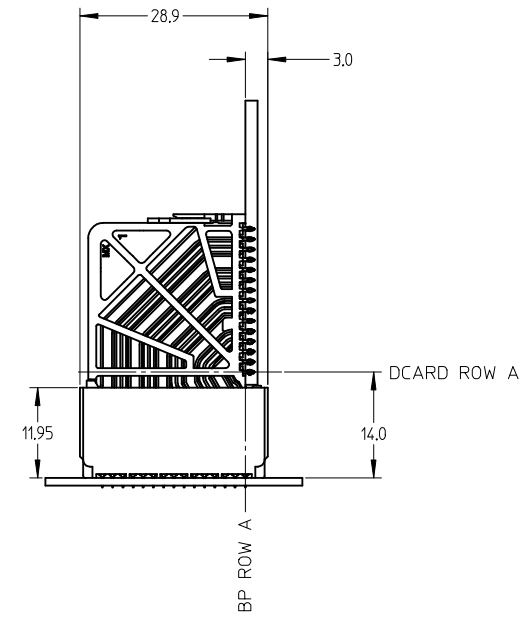
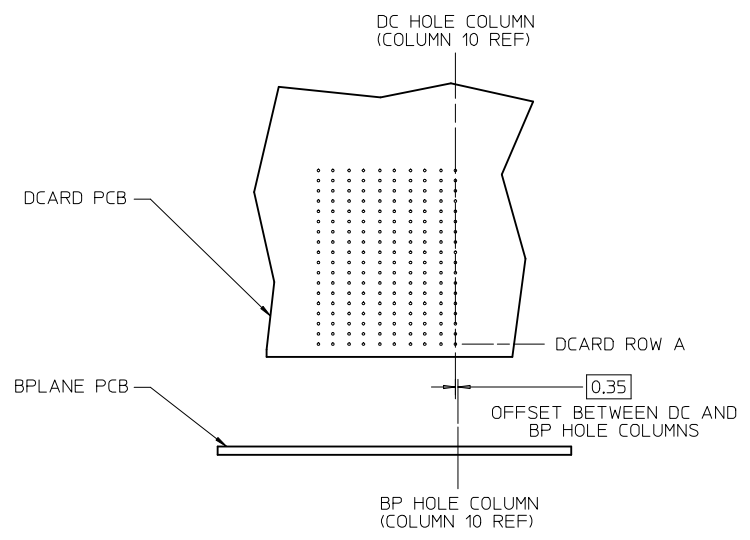
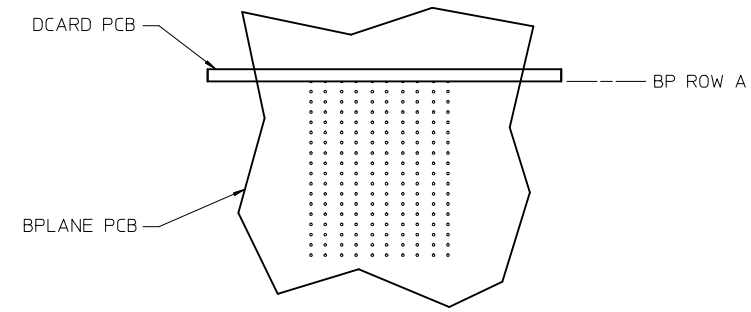
OPEN
WALL OPTION

PART NUMBER LOGIC



INITIAL RELEASE EC NO: UCP2016-3253 DRWN: MENDOZA 2016/02/18 CHKD: APPR: TELO 2016/02/22 REV: A	QUALITY SYMBOLS ▼=0 ▽=0	GENERAL TOLERANCES (UNLESS SPECIFIED) <table border="1"> <thead> <tr> <th></th> <th>mm</th> <th>INCH</th> </tr> </thead> <tbody> <tr> <td>4 PLACES</td> <td>± ---</td> <td>± ---</td> </tr> <tr> <td>3 PLACES</td> <td>± ---</td> <td>± ---</td> </tr> <tr> <td>2 PLACES</td> <td>± 0.13</td> <td>± ---</td> </tr> <tr> <td>1 PLACE</td> <td>± 0.25</td> <td>± ---</td> </tr> </tbody> </table> ANGULAR ±1/2°		mm	INCH	4 PLACES	± ---	± ---	3 PLACES	± ---	± ---	2 PLACES	± 0.13	± ---	1 PLACE	± 0.25	± ---	DIMENSION STYLE MM ONLY DRAWN BY: JMENDOZA DATE: 2012/09/25 CHECKED BY: TELO DATE: 2012/09/25 APPROVED BY: TELO DATE: 2016/02/22	SCALE: 2:1 DESIGN UNITS: METRIC THIRD ANGLE PROJECTION	TITLE: IMPACT 6 PAIR ORTHO MATE UNGUIDED HEADER ASSEMBLY SALES DRAWING MOLEX INCORPORATED MATERIAL NO. SEE CHART DOCUMENT NO. SD-76289-0001	SHEET NO. 2 OF 3
		mm	INCH																		
	4 PLACES	± ---	± ---																		
	3 PLACES	± ---	± ---																		
2 PLACES	± 0.13	± ---																			
1 PLACE	± 0.25	± ---																			
DRAFT WHERE APPLICABLE MUST REMAIN WITHIN DIMENSIONS		SIZE: C	THIS DRAWING CONTAINS INFORMATION THAT IS PROPRIETARY TO MOLEX INCORPORATED AND SHOULD NOT BE USED WITHOUT WRITTEN PERMISSION																		

IMPACT 6 PAIR ORTHO MATE
BOARD RELATIONSHIPS



INITIAL RELEASE EC NO: UCP2016-3253 DRWN: JMENDOZA 2016/02/18 CHKD: APPR: TELO 2016/02/22	QUALITY SYMBOLS ▽=0 ▽=0	GENERAL TOLERANCES (UNLESS SPECIFIED)		DIMENSION STYLE MM ONLY	SCALE 2:1	DESIGN UNITS METRIC	THIRD ANGLE PROJECTION		
		4 PLACES ± --- ± --- 3 PLACES ± --- ± --- 2 PLACES ± 0.13 ± --- 1 PLACE ± 0.25 ± ---		DRAWN BY DATE JMENDOZA 2012/09/25		TITLE IMPACT 6 PAIR ORTHO MATE UNGUIDED HEADER ASSEMBLY SALES DRAWING			
		ANGULAR ± 1/2°		CHECKED BY DATE TELO 2012/09/25		APPROVED BY DATE TELO 2016/02/22			
		DRAFT WHERE APPLICABLE MUST REMAIN WITHIN DIMENSIONS		MATERIAL NO. SEE CHART		DOCUMENT NO. SD-76289-0001		SHEET NO. 3 OF 3	
THIS DRAWING CONTAINS INFORMATION THAT IS PROPRIETARY TO MOLEX INCORPORATED AND SHOULD NOT BE USED WITHOUT WRITTEN PERMISSION									