

THIS DRAWING IS UNPUBLISHED.

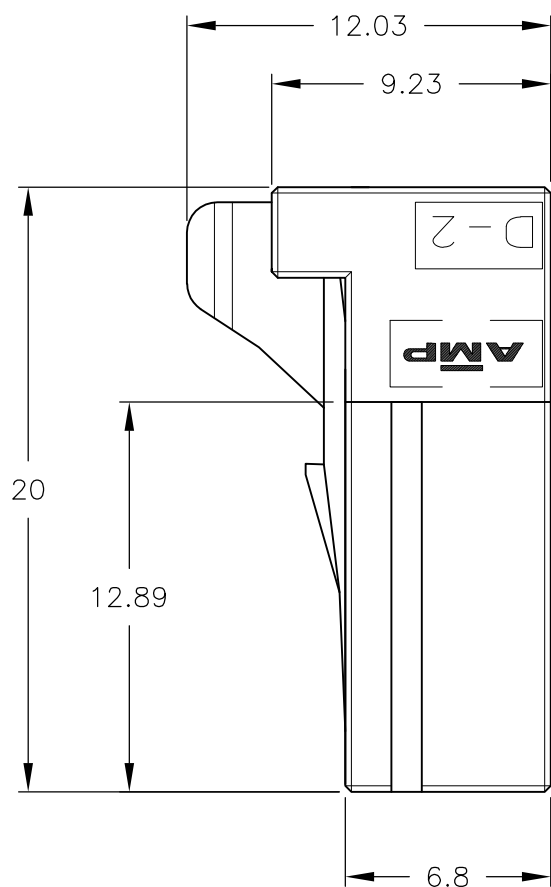
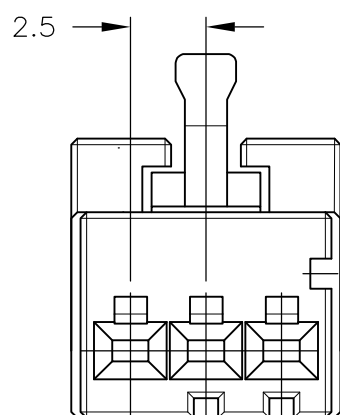
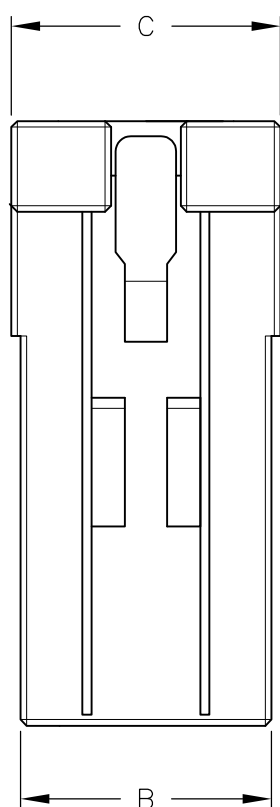
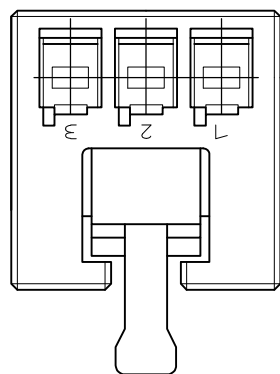
RELEASED FOR PUBLICATION

-. -. .

© COPYRIGHT 2012 By Tyco Electronics Japan G.K.

ALL RIGHTS RESERVED.

LOC	DIST	REVISIONS					
		P	LTR	DESCRIPTION	DATE	DWN	APVD
J	-		D	REVISED	27JUN2012	H.M	N.Y
			E	REVISED	17APR2015	H.O	N.Y



注記

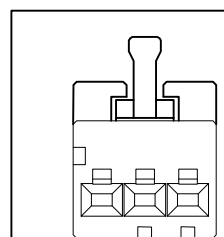
① 材料: ハウジング: ガラス入り熱可塑性ポリエステル樹脂 (94V-0)
色: 1-2-3: 黒, 9: 白

② ~~ハウジング全面にテフロン塗装のこと~~

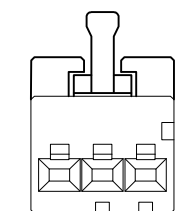
NOTES

① MATERIAL: HOUSING: GLASS FILLED THERMO PLASTIC
POLYESTER(94V-0)
COLOR: 1-2-3: BLACK
: 9: NATURAL

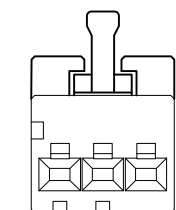
② ~~TO COAT ALL SURFACE OF HOUSING WITH TEFLON~~



KEYING: Z
3-1318120-3



KEYING: Y
2-1318120-3
9-1318120-3



KEYING: X
1-1318120-3

	8.9	8.3	5	2	3	9-1318120-3
	8.9	8.3	5	2	3	3-1318120-3
OBSOLETE	8.9	8.3	5	2	3	5-1318120-3
	8.9	8.3	5	2	3	2-1318120-3
	8.9	8.3	5	2	3	1-1318120-3
FINISH	C	B	A	N	POS	PART NUMBER

THIS DRAWING IS A CONTROLLED DOCUMENT.

DIMENSIONS: mm	TOLERANCES UNLESS OTHERWISE SPECIFIED: 0 PLC ± 0.3 1 PLC ± 0.35 2 PLC ± 0.4 3 PLC ± 0.4 4 PLC ± 0.4 ANGLES ± 3°	DWN K.IKEDA 07DEC1998	TE Connectivity SINGLE ROW REC HSG DYNAMIC D-2100D
		CHK N.MATSUBARA 07DEC1998	
		APVD I.HASEGAWA 07DEC1998	
		PRODUCT SPEC 108-5619	
MATERIAL ①	FINISH	APPLICATION SPEC 114-5258	NAME
		WEIGHT	SIZE A3
		CUSTOMER DRAWING	CAGE CODE 00779
			DRAWING NO C-1318120
			RESTRICTED TO
			SCALE 4:1
			SHEET 1 OF 1
			REV E