

5

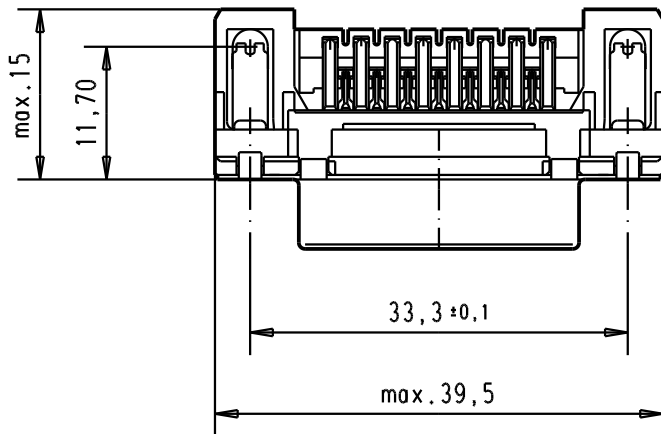
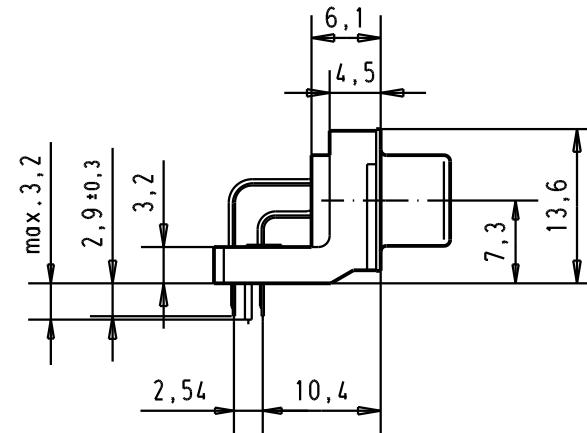
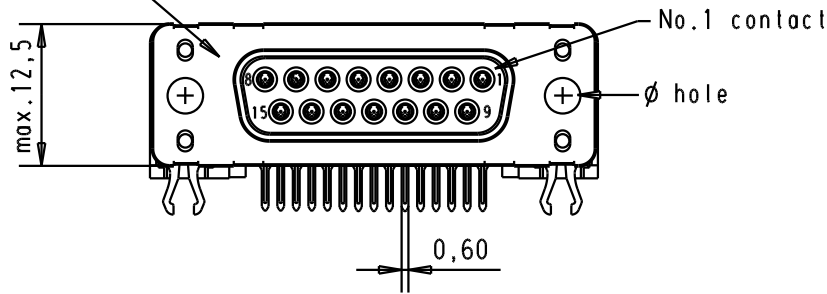
4

3

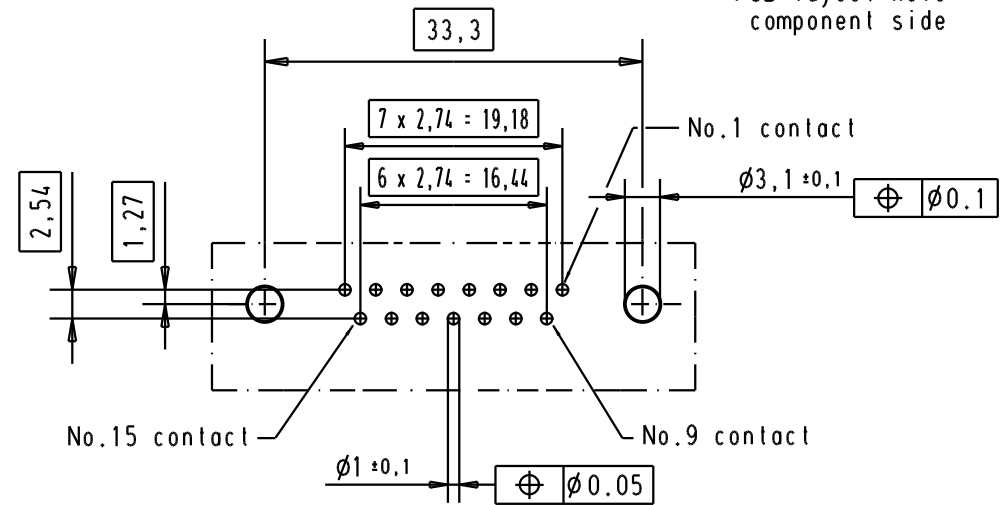
2

1

Mating face according to : MIL-C-24308 / DIN 41652 / CECC 75301-802

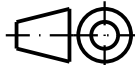



PCB layout hole component side



Connector retention and insertion forces on the PCB = 25 / 80 newtons

A

						Det.	Name	 All Dim. in mm Orig. Size DIN A 4	D-Sub 15 poles standard angle female, solder pin with hole and grounding board lock.	Moßstab/ Scale
						05/dec/00	ALSPACE			1.5:1
						Insp.				
09 66 252 3610	3.1 ± 0.1	1	31892	05/05/04	JH	Stand.				
09 66 252 6610	3.1 ± 0.1	2	31084	04/SEP/02	YT	HARTING EURL F-95972 Paris			TB 0966252x61x	
09 66 252 7610	3.1 ± 0.1	3	27960	05/dec/00	ALSPACE					
Part number	ø hole	Performance level	Mod.	Dat.	Name				Blatt/ Page 4 / 5	

Sub.