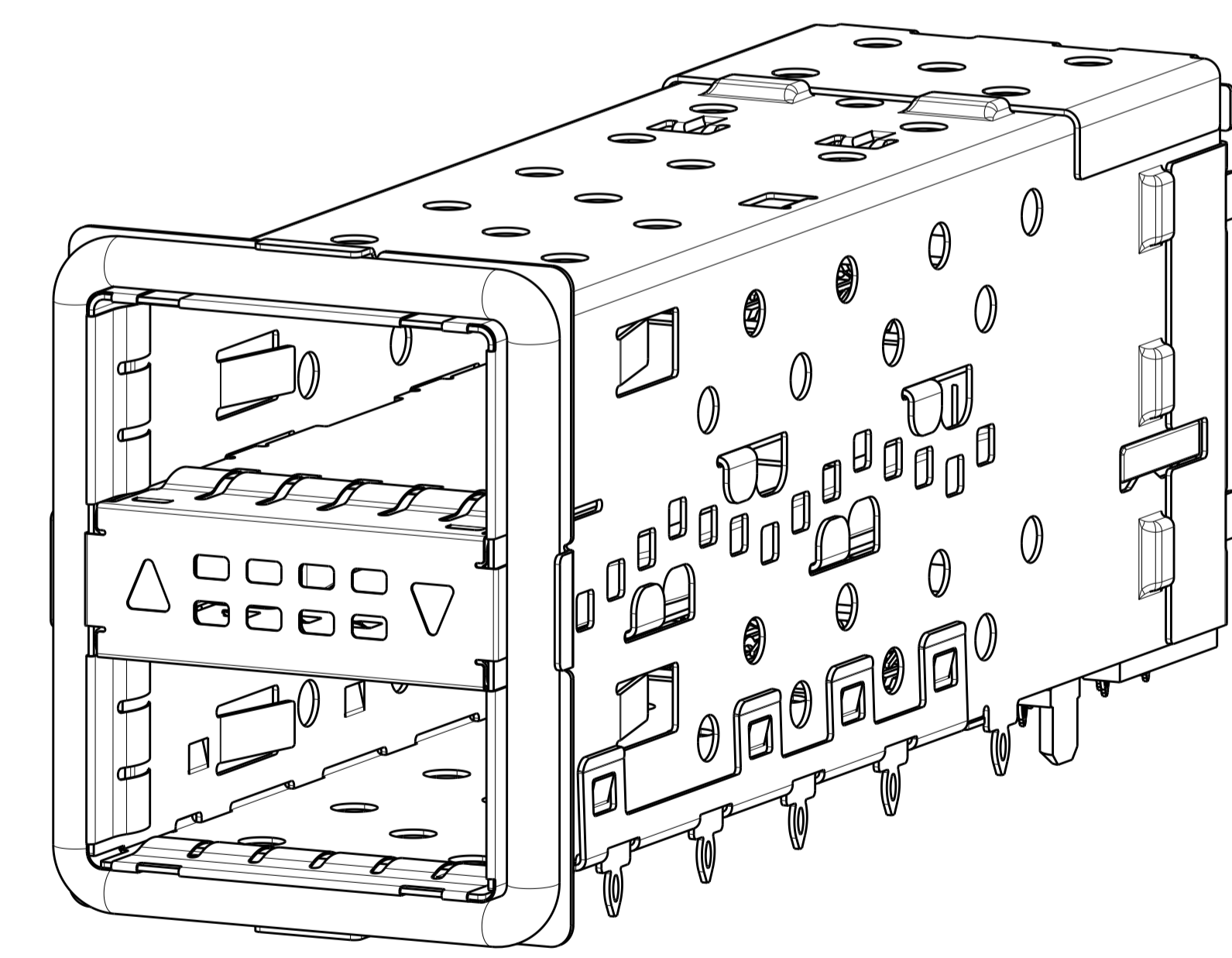
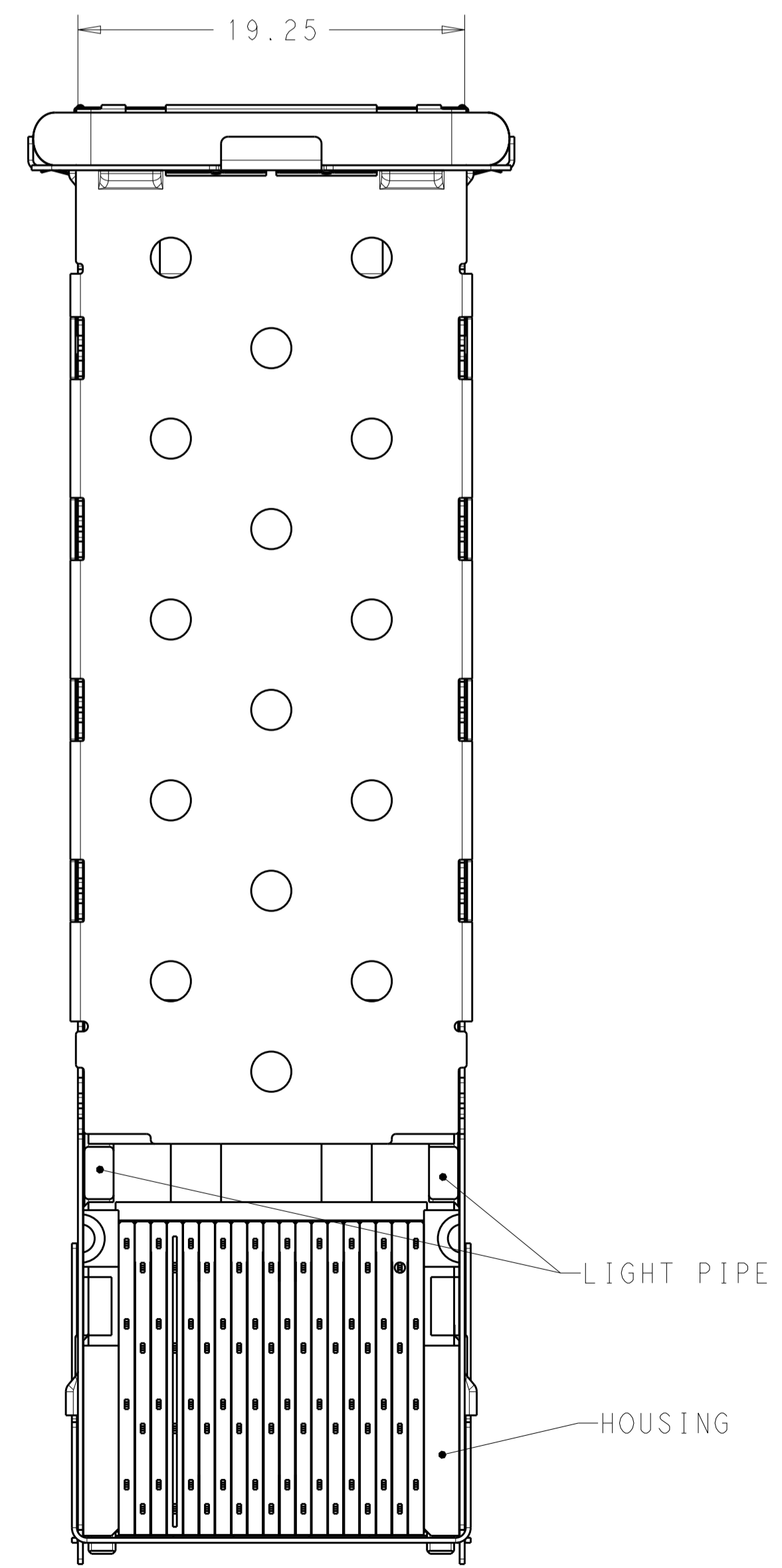
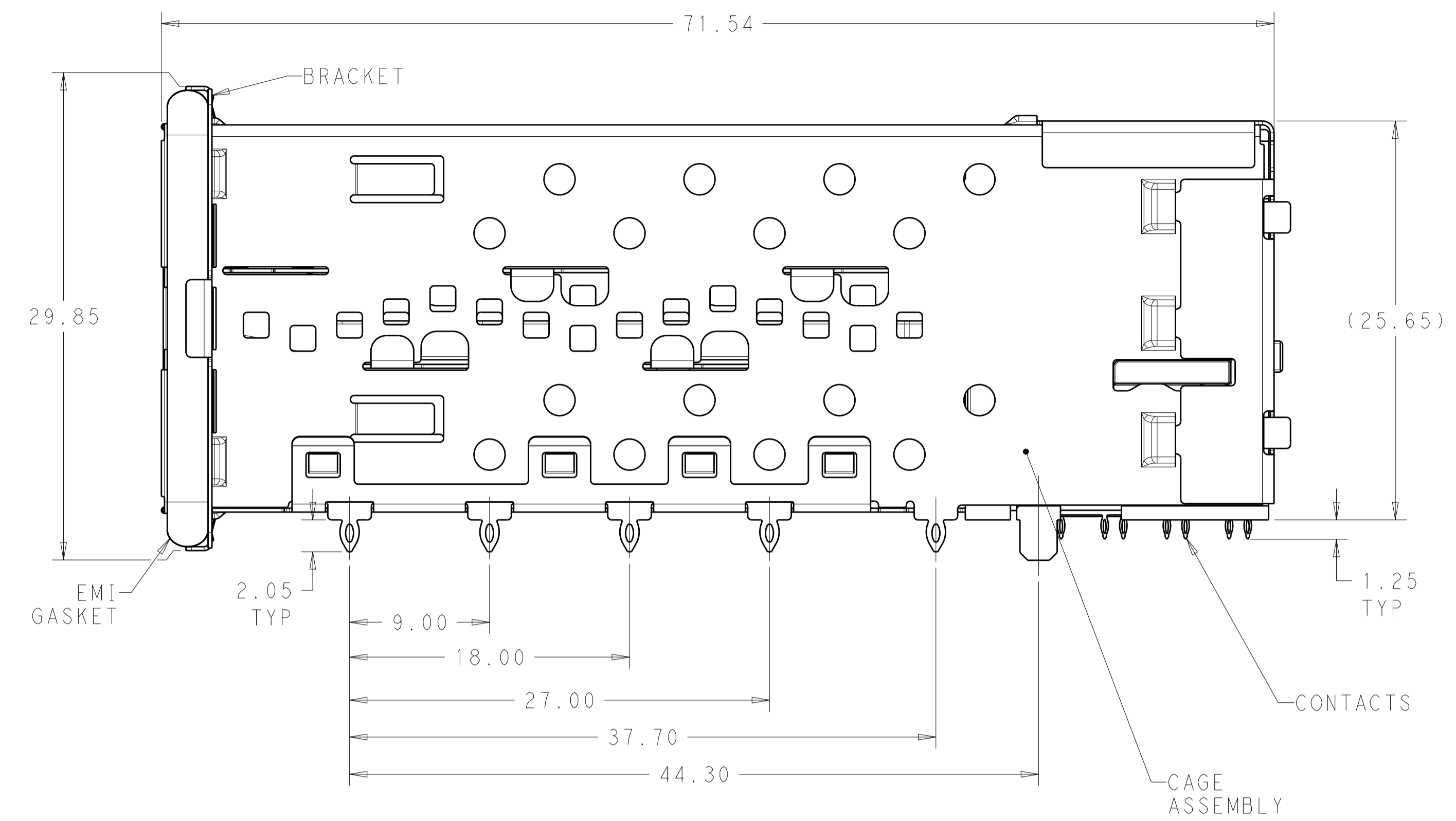
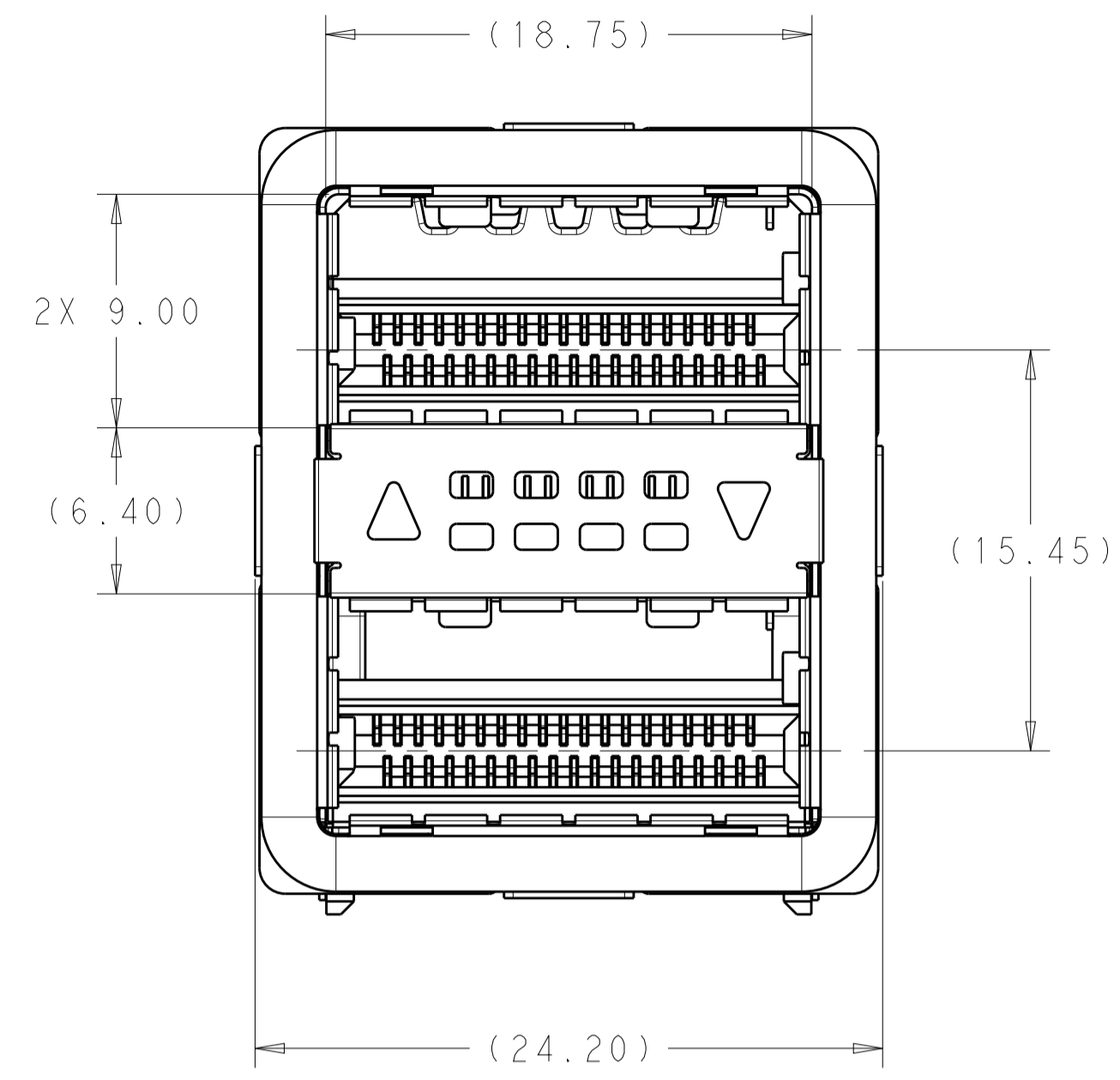


LOC	DIST	REVISIONS					
GP	00	P	LTH	DESCRIPTION	DATE	DWN	APVD
		8		UPDATE DEFAULT TOLERANCE	3APR2014	RG	MC
		9		ADD APPLICATION SPEC	6NOV2014	RG	MC
		10		ADD 2085945-8	18MAY2015	RG	SH
		11		UPDATE SHEET 4 FACE PLATE VIEW	2SEP2015	RG	SH



2085945-1 SHOWN
SCALE 4:1

- 1 MATERIALS:
 CAGE ASSEMBLY- NICKEL SILVER ALLOY PER ASTM B 122.
 BRACKET- STAINLESS STEEL.
 EMI GASKET- NICKEL-GRAPHITE FILLED SILICONE.
 HOUSING- BLACK LCP, UL 94V-0 RATED.
 CHICKLET- BLACK LCP, UL 94V-0 RATED.
 LIGHT PIPE- POLYCARBONATE, CLEAR, UL 94V-2 RATED.
 CONTACT- COPPER ALLOY.
- 2 DATUM AND BASIC DIMENSIONS ESTABLISHED BY CUSTOMER.
- 3. MINIMUM PCB THICKNESS OF 1.57mm.
- 4 CONTACT FINISH- CONFORMS TO THE REQUIREMENTS OF TE PRODUCT SPECIFICATION 108-127010, BASED ON EIA/ECA-364-1000.01A, (CONTROLLED ENVIRONMENT APPLICATIONS) ON MATING INTERFACE, TIN ON NEEDLE EYE.
- 5 THE ENTIRE AREA OF THE CONNECTOR FOOTPRINT, INDICATED BY THE DASHED LINE, TO BE CONSIDERED THE KEEPOUT AREA FOR COMPONENTS AND SIGNAL TRACES, TOP SIDE ONLY. TOP SIDE TRACES ALLOWED WITHIN CONNECTOR HOLE PATTERN.
- 6 LIGHT PIPE PAD LAYOUT IS FOR 0805 LOW PROFILE LED PACKAGE WITH A HEIGHT OF 0.8mm.

DESCRIPTION	PART NUMBER
OUTER LIGHT PIPES WITH CUSTOMIZED GASKET	2085945-8
BOTH LIGHT PIPES	2085945-7
INNER LIGHT PIPES	2085945-6
OUTER LIGHT PIPES	2085945-5
NO LIGHT PIPES	2085945-4
BOTH LIGHT PIPES	2085945-3
INNER LIGHT PIPES	2085945-2
OUTER LIGHT PIPES	2085945-1

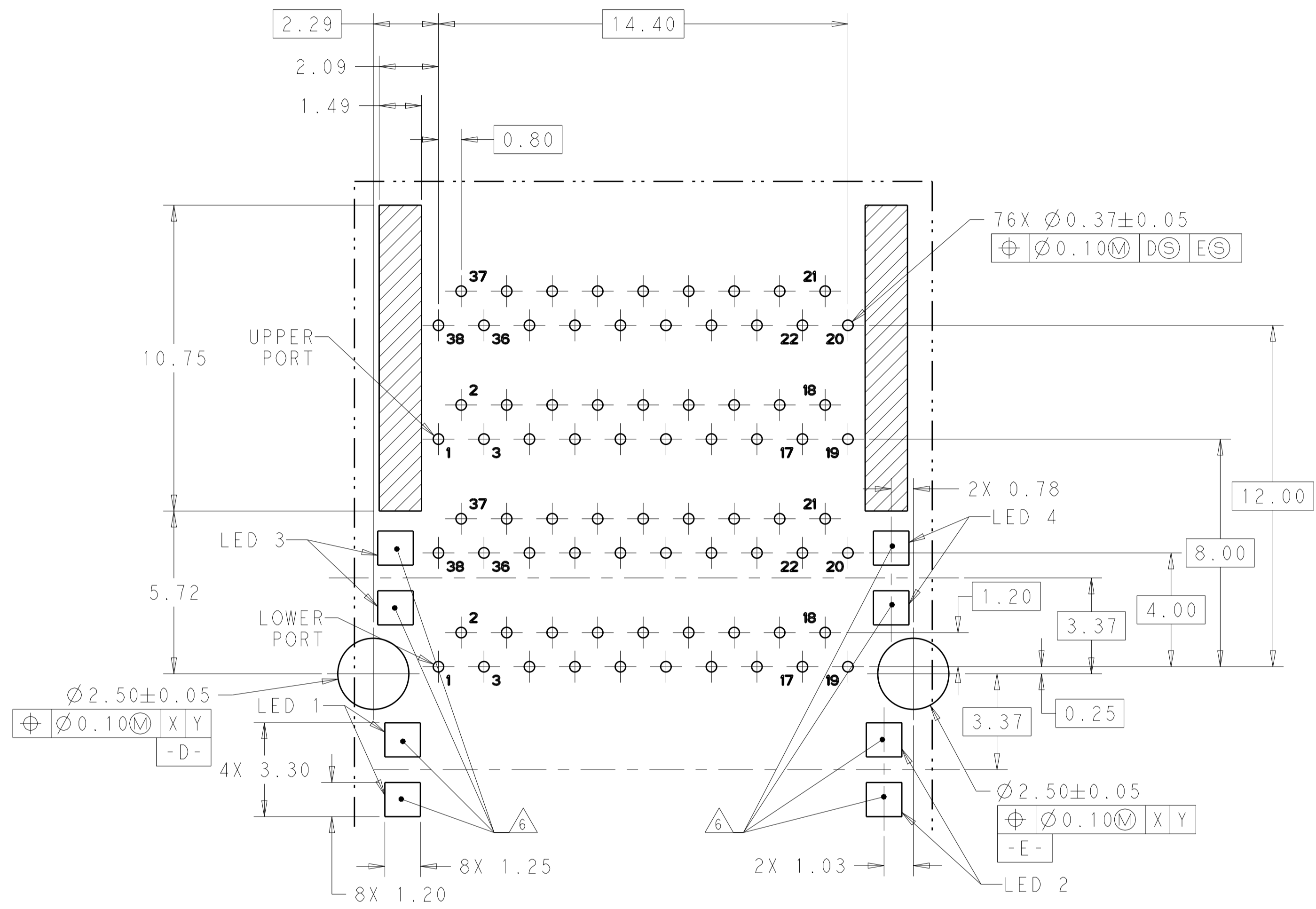
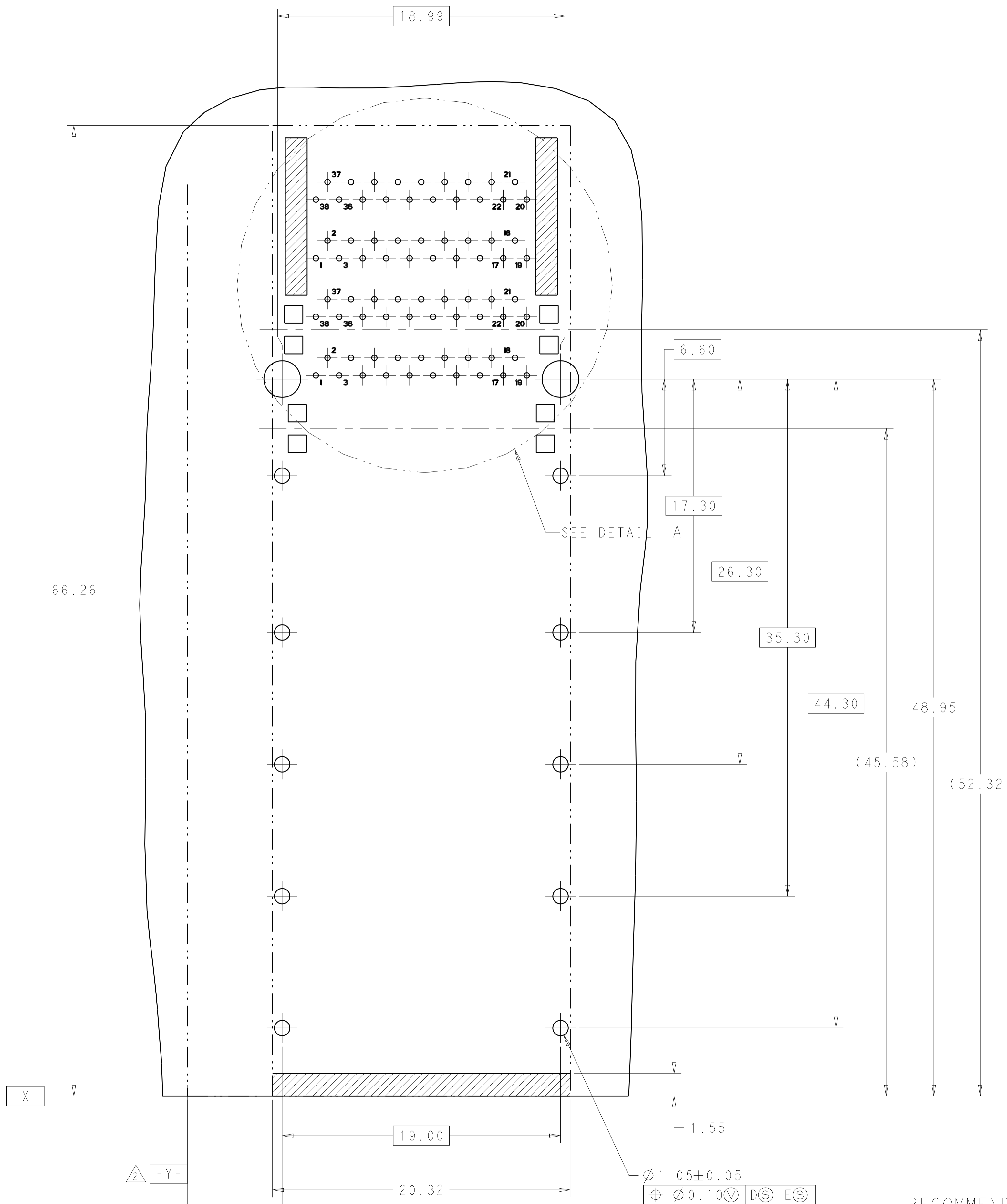
THIS DRAWING IS A CONTROLLED DOCUMENT.

DIMENSIONS:	TOLERANCES UNLESS OTHERWISE SPECIFIED:	OWN: MCMASTER 08AUG11	CHK: WICKES 08AUG11	APVD: WICKES 08AUG11	NAME: WICKES
mm	0 PLC ±0.30 1 PLC ±0.25 2 PLC ±0.25 3 PLC ±0.25 4 PLC ±0.25 ANGLES ±0.25	PRODUCT SPEC: 108-127010	APPLICATION SPEC: 114-32020	SIZE: 114-32020	RESTRICTED TO: A100779C=2085945
MATERIAL:	FINISH:	WEIGHT:	CUSTOMER DRAWING	SCALE: 4:1	SHEET 1 OF 4 REV 11

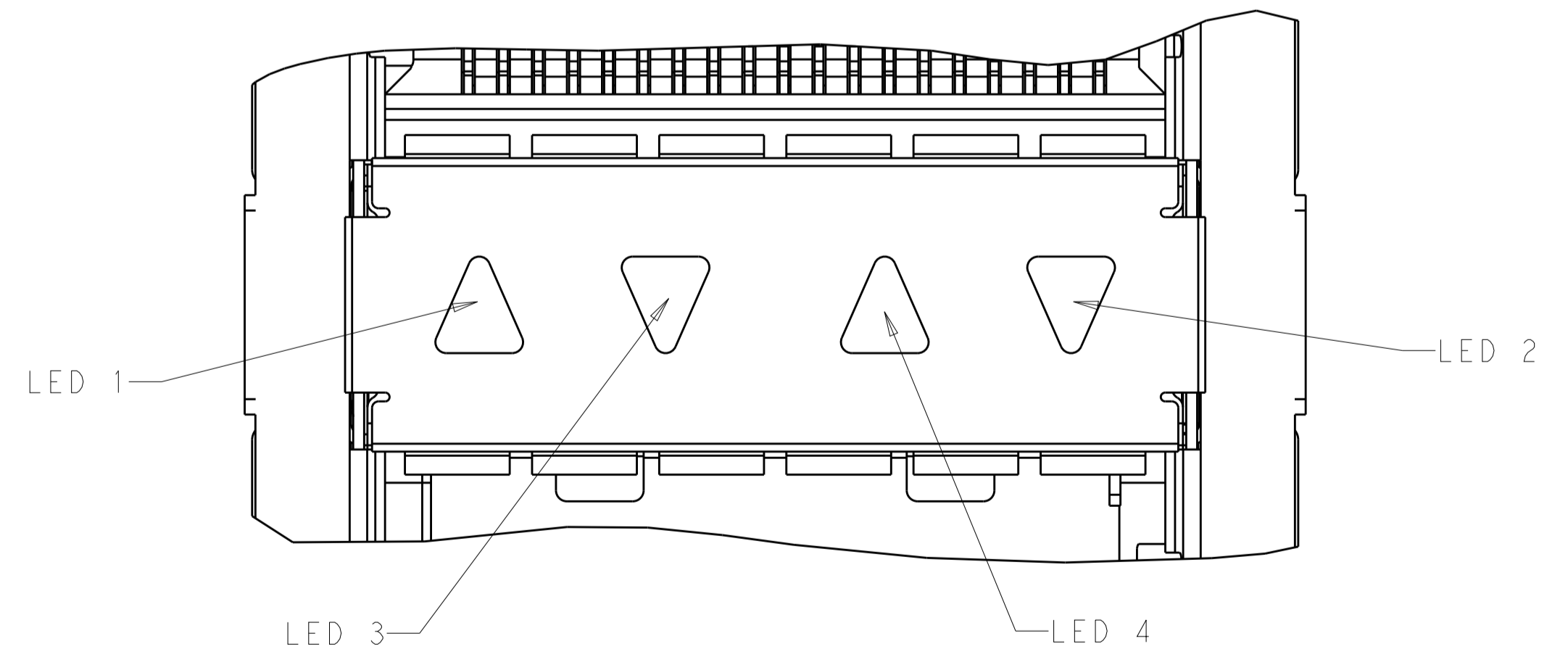
PRELIMINARY

CAGE AND P.T. CONNECTOR ASSEMBLY WITH EMI GASKET, PRESS FIT, 2X1, STACKED QSFP+

LOC		DIST		REVISIONS			
GP	00	P	LTN	DESCRIPTION	DATE	DMN	APVD
		-		SEE SHEET 1			



DETAIL A
SCALE 8:1

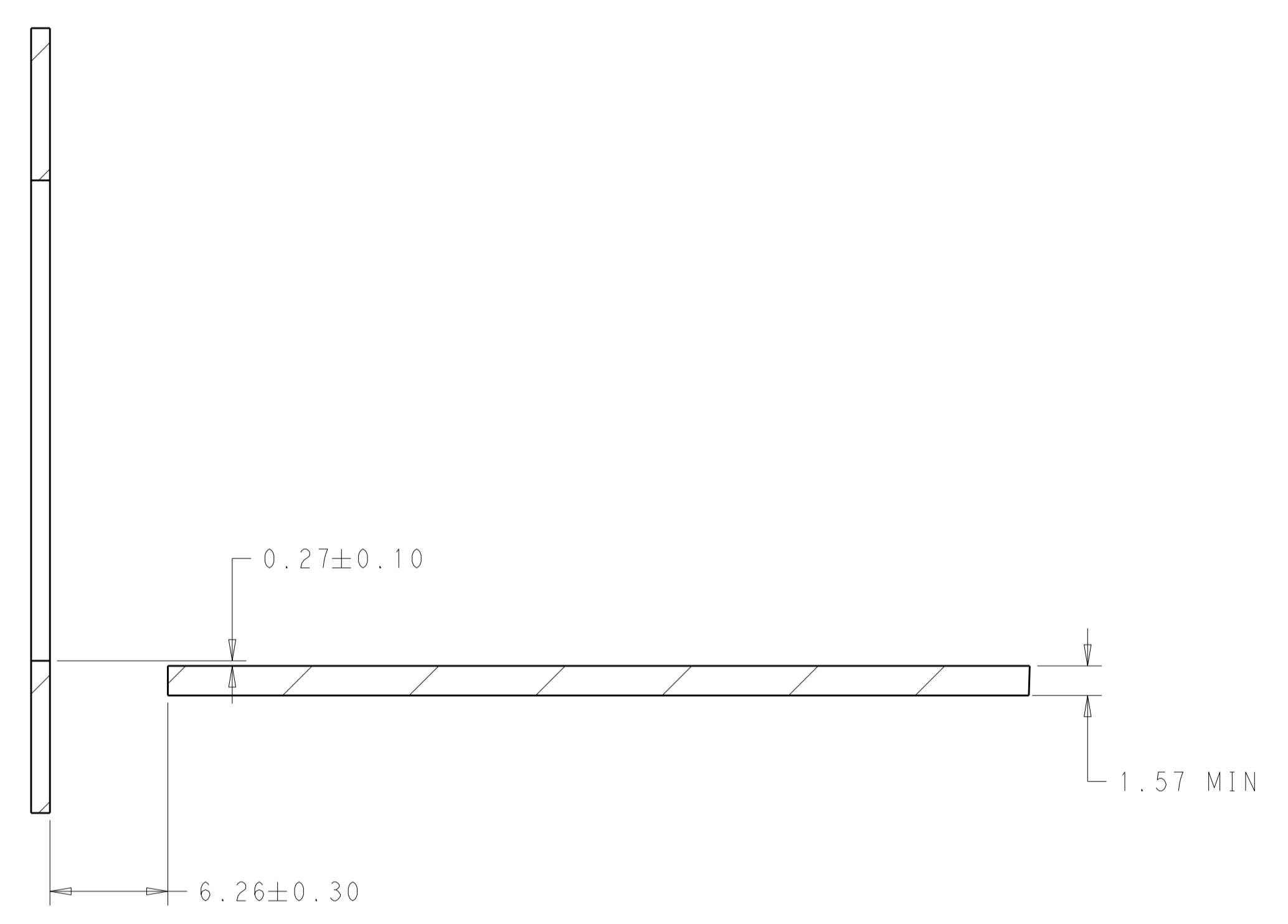
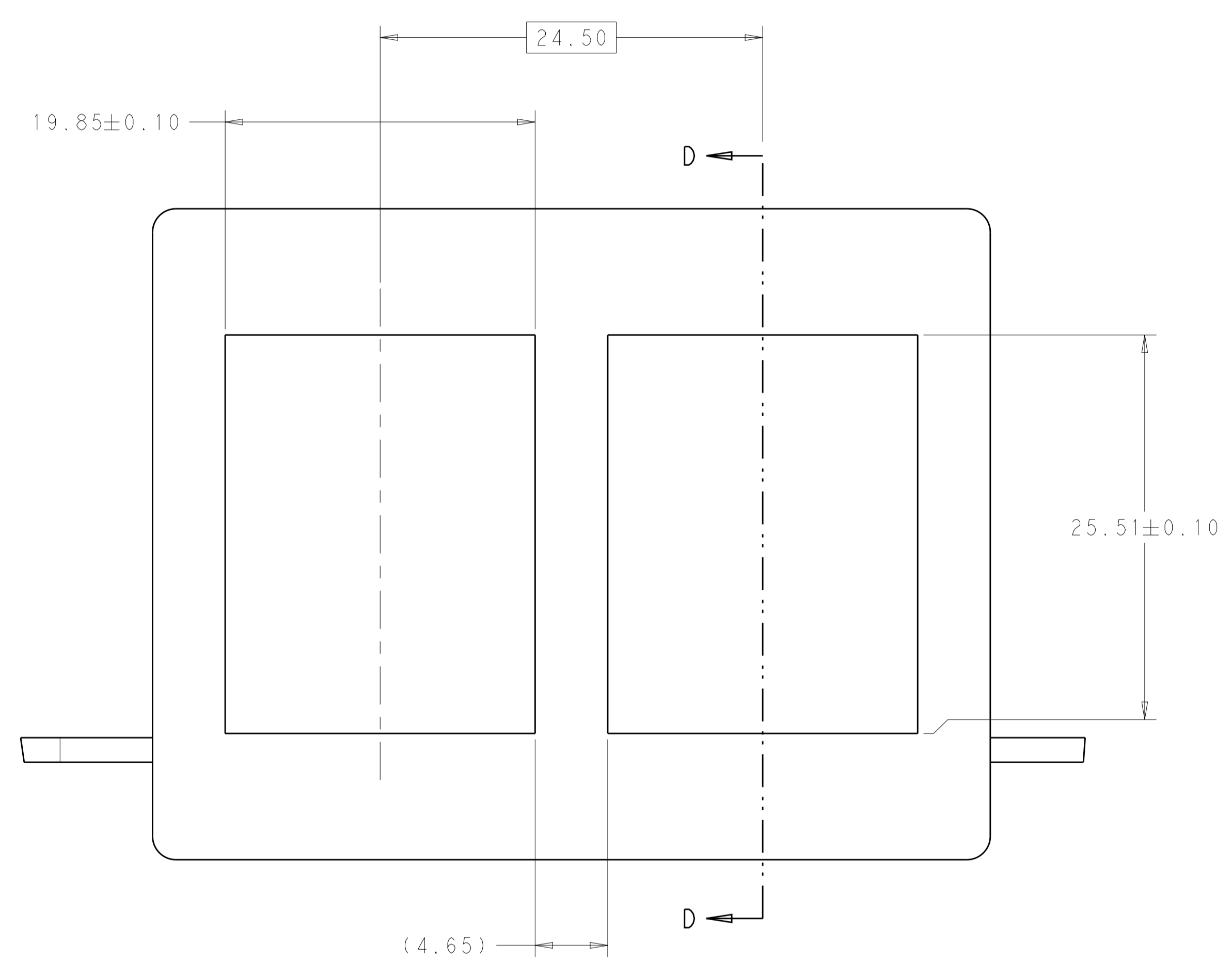


LED DEFINITION
SCALE 8:1

RECOMMENDED PCB LAYOUT
COMPONENT SIDE OF BOARD
SCALE 4:1

THIS DRAWING IS A CONTROLLED DOCUMENT.		OWN B. MCMASTER	08AUG11	TE Connectivity
DIMENSIONS:		CHK E. WICKES	08AUG11	
TOLERANCES UNLESS OTHERWISE SPECIFIED:		APVD E. WICKES	08AUG11	NAME CAGE AND PT CONNECTOR ASSEMBLY, WITH EMI GASKET, PRESS FIT, 2X1, STACKED QSFP+
mm	0 PLC ±	PRODUCT SPEC		
	1 PLC ±0.30	108-127010		SIZE CAGE CODE DRAWING NO A100779C=2085945
	2 PLC ±0.25	APPLICATION SPEC		
	3 PLC ±	WEIGHT		RESTRICTED TO SCALE 4:1 SHEET 2 OF 4 REV 11
	4 PLC ±	CUSTOMER DRAWING		
	ANGLES ±			
MATERIAL	FINISH			

LOC		DIST		REVISIONS			
P	LTN	DESCRIPTION	DATE	DMN	APVD		
-	-	SEE SHEET 1	-	-	-		

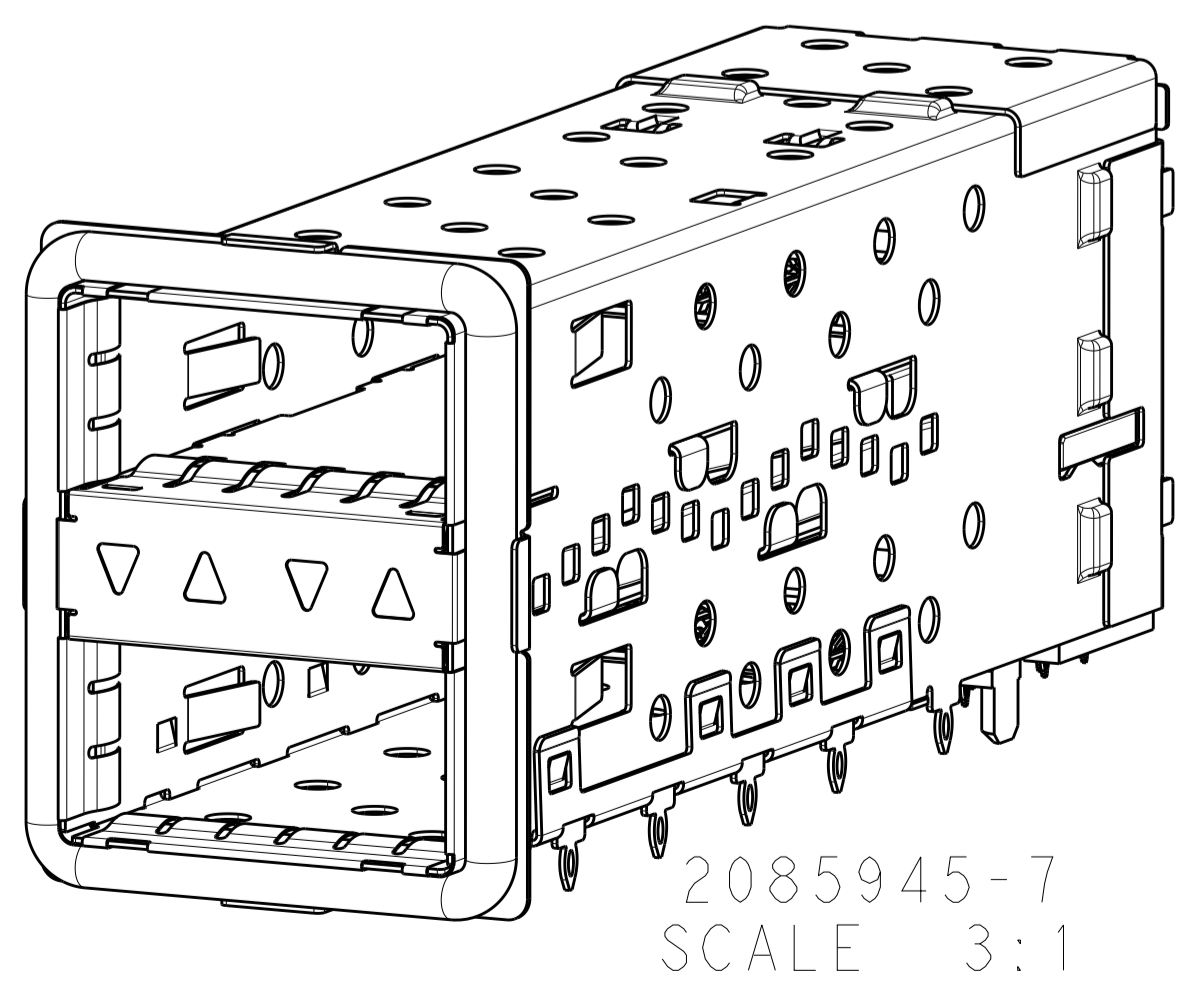
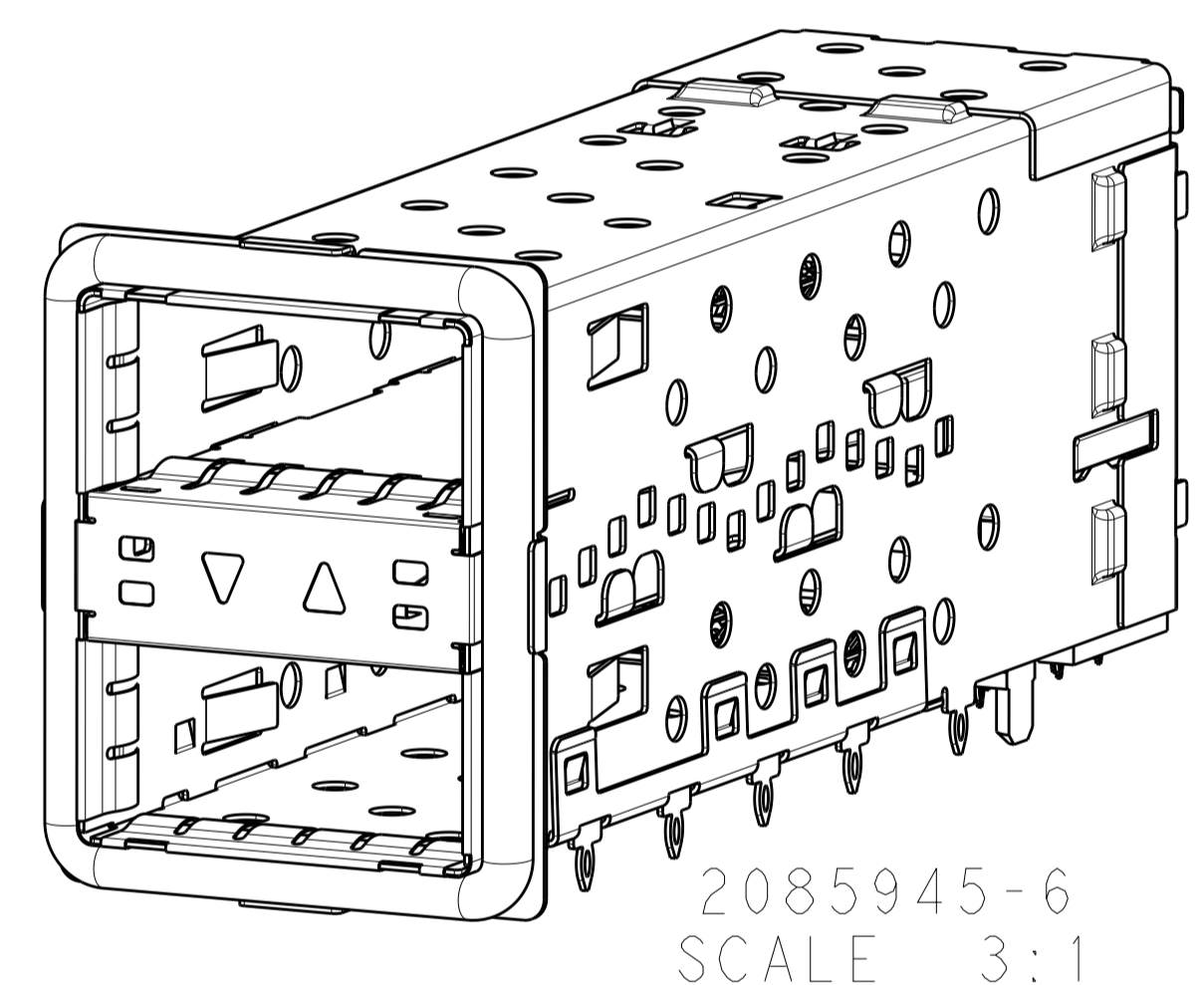
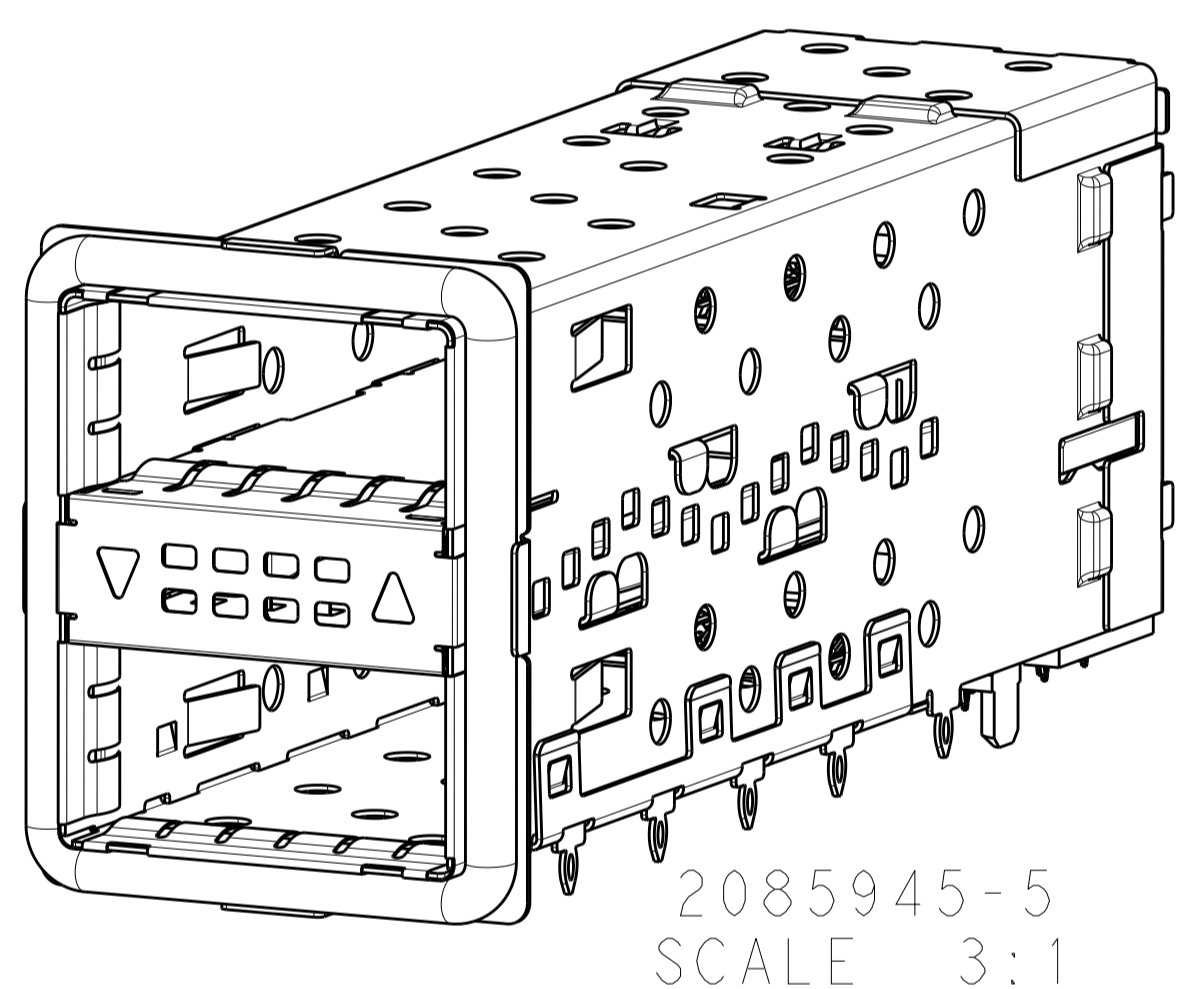
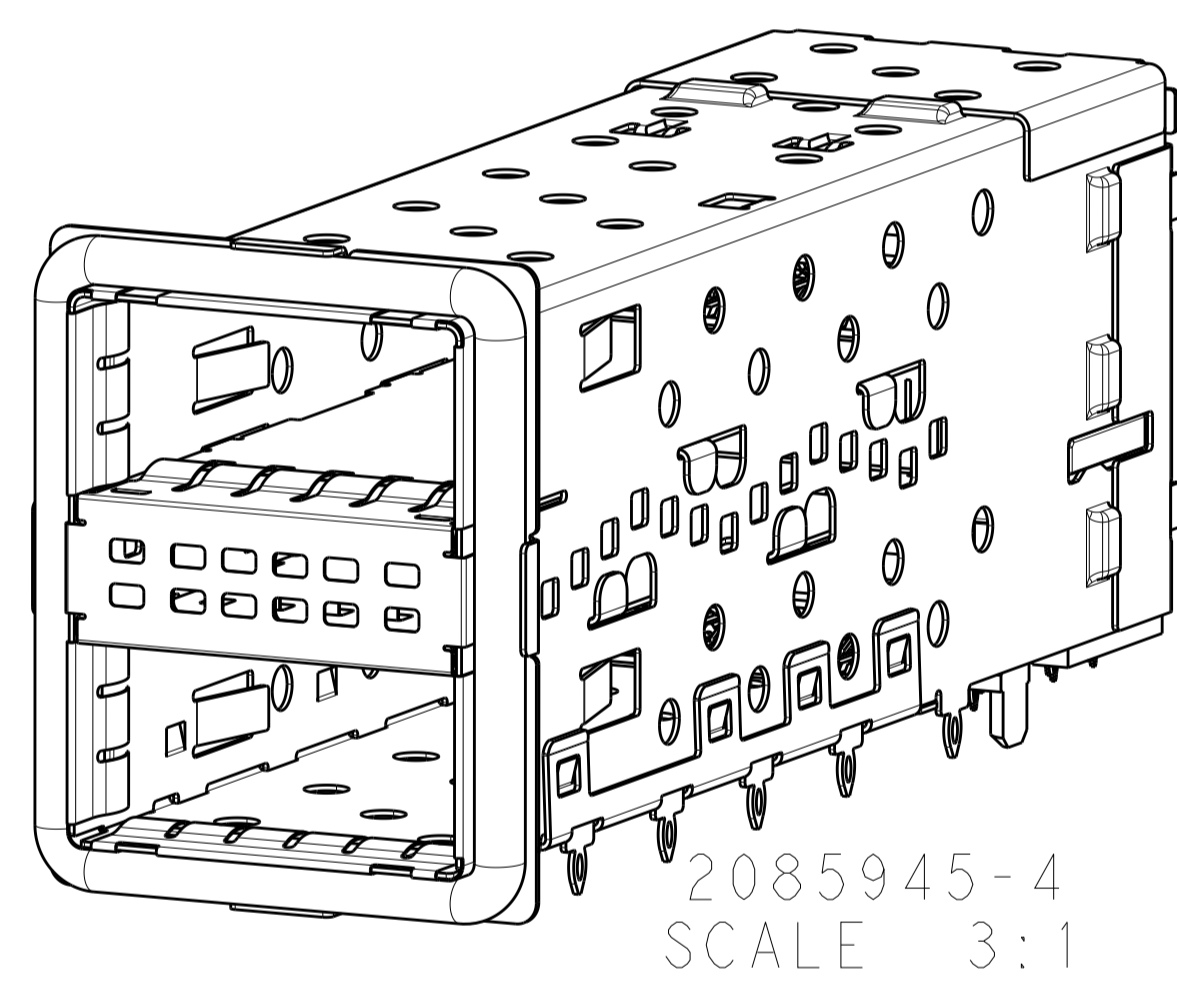
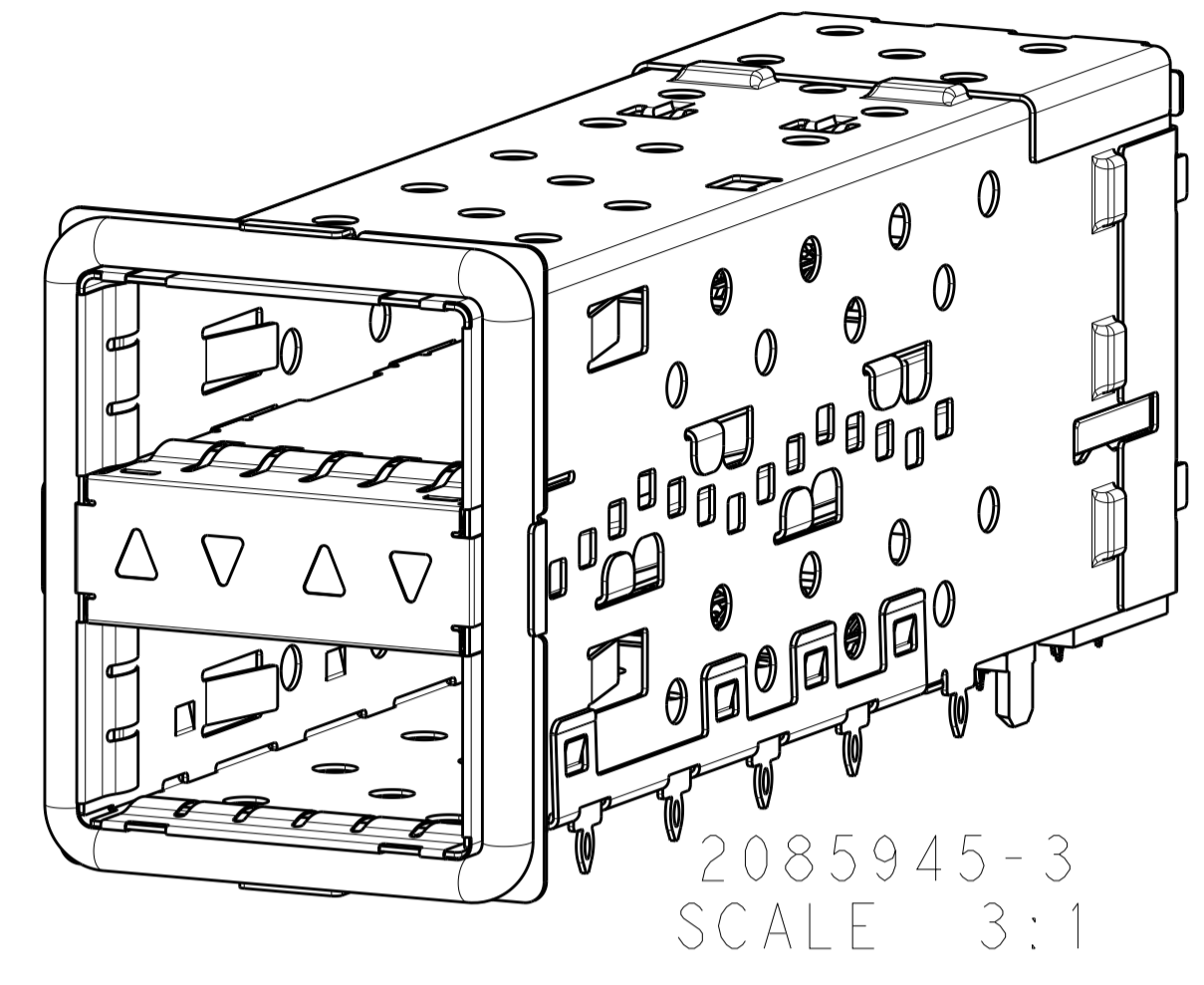
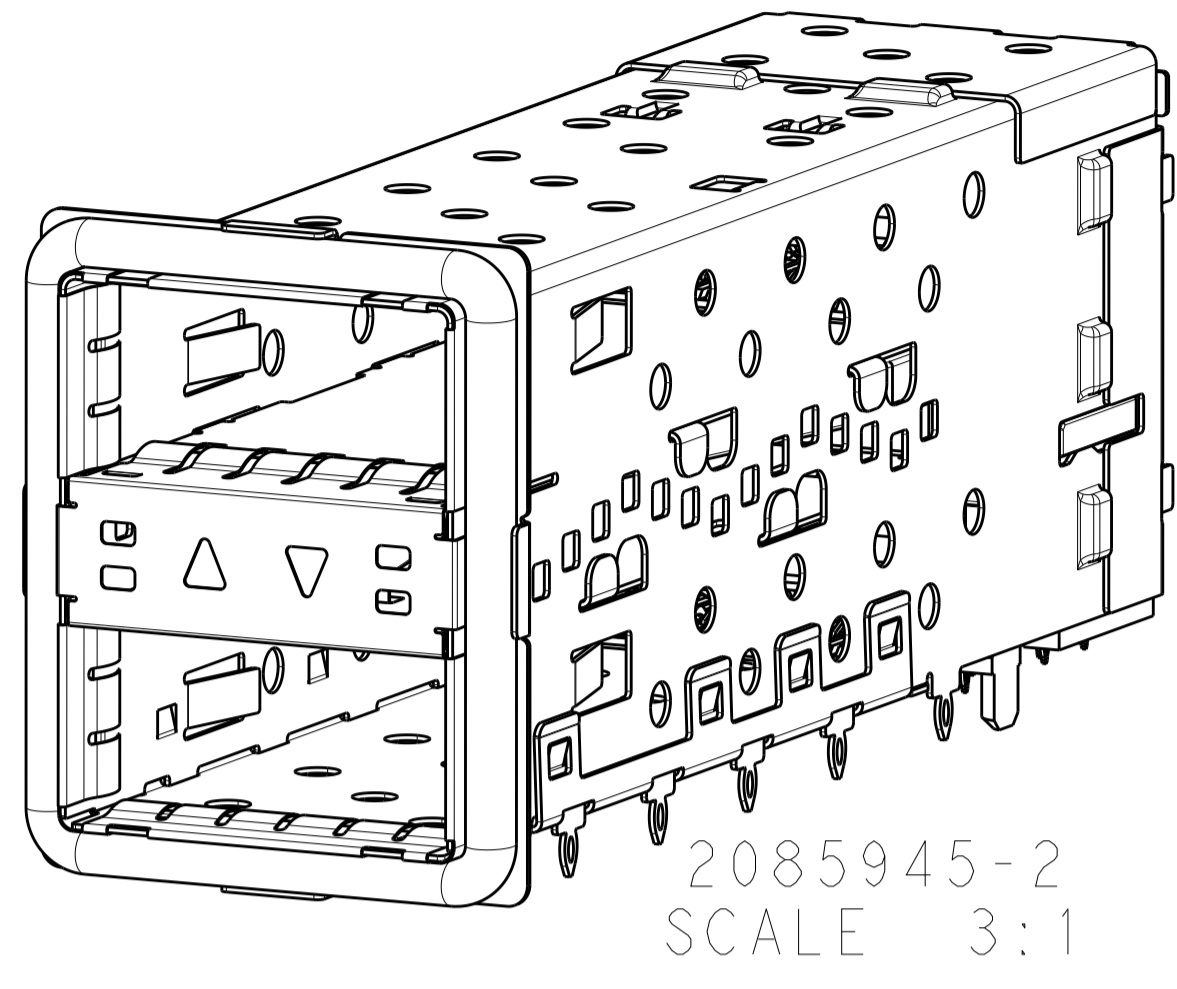
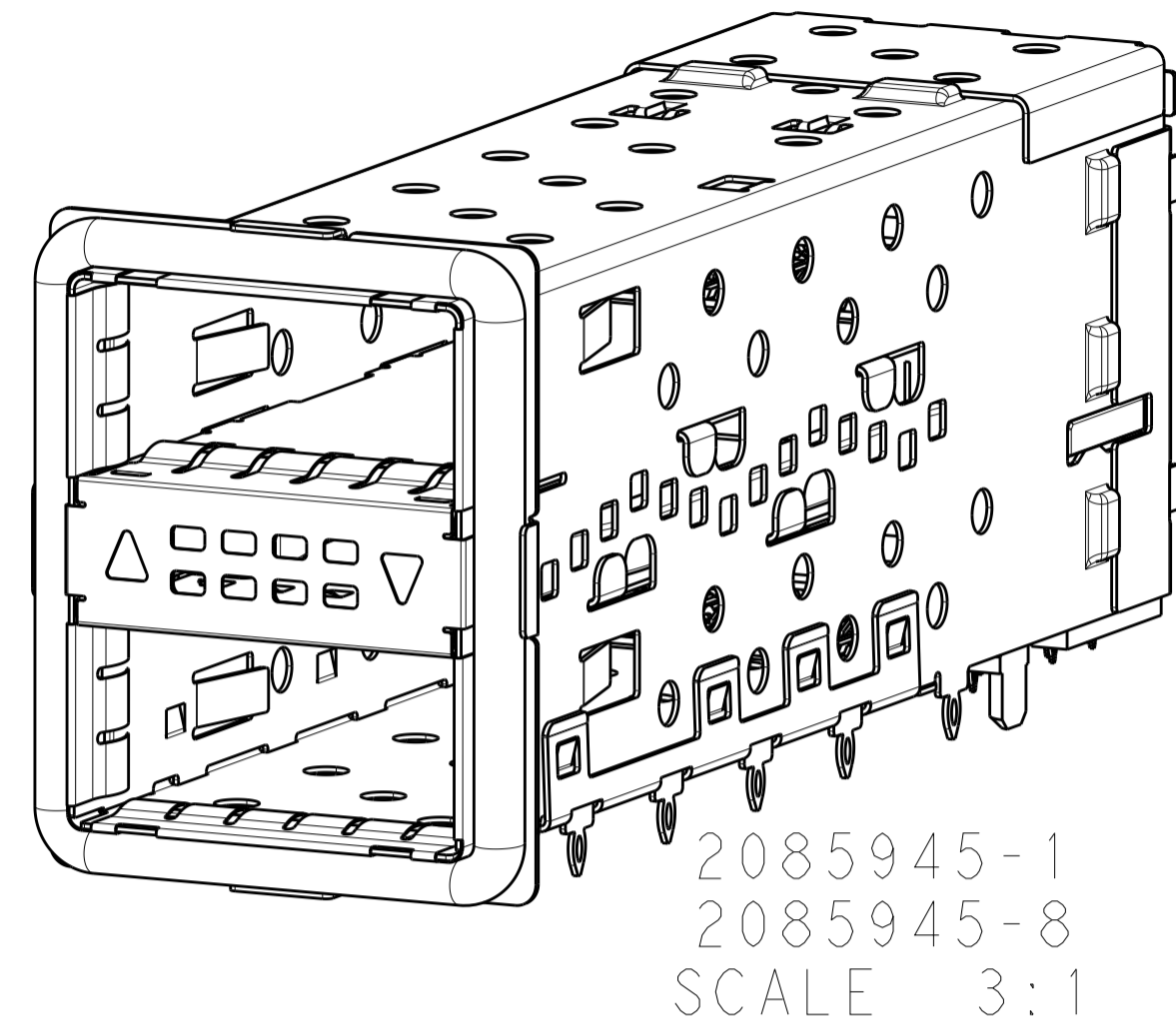


RECOMMENDED PANEL CUTOUT
 AND PC BOARD, PANEL POSITION
 SCALE 4:1

THIS PRINT IS
PRELIMINARY
 UNQUALIFIED PRODUCT
 CONTACT PRODUCT ENGINEERING
 BEFORE USING THIS PRINT

THIS DRAWING IS A CONTROLLED DOCUMENT.		DMN B. MCMASTER 08AUG11	TE Connectivity
DIMENSIONS: mm		CHK E. WICKES 08AUG11	
TOLERANCES UNLESS OTHERWISE SPECIFIED:		APVD F. WICKES 08AUG11	NAME CAGE AND PT CONNECTOR ASSEMBLY, WITH EMI GASKET, PRESS FIT, 2X1, STACKED QSFP+
0 PLC ±		PRODUCT SPEC 108-127010	
1 PLC ±0.30		APPLICATION SPEC 114-32020	SIZE CAGE CODE DRAWING NO RESTRICTED TO A100779C=2085945
2 PLC ±0.25		WEIGHT	
3 PLC ±		CUSTOMER DRAWING	SCALE 4:1 SHEET 3 OF 4 REV 11
4 PLC ±			
ANGLES ±			
FINISH			

LOC		DIST		REVISIONS			
GP	00	P	LYR	DESCRIPTION	DATE	OWN	APVD
		-		SEE SHEET 1			



THIS DRAWING IS A CONTROLLED DOCUMENT.		OWN: B. MCMASTER 08AUG11	TE Connectivity
DIMENSIONS:		CHK: E. WICKES 08AUG11	
mm	0 PLC ± 1 PLC ±0.30 2 PLC ±0.25 3 PLC ± 4 PLC ± ANGLES ±	APVD: E. WICKES 08AUG11	NAME: CAGE AND PT CONNECTOR ASSEMBLY, WITH EMI GASKET, PRESS FIT, 2X1, STACKED QSFP+
		PRODUCT SPEC: 108-127010	
MATERIAL:	FINISH:	APPLICATION SPEC: 114-32020	RESTRICTED TO:
		WEIGHT:	A100779C=2085945
		CUSTOMER DRAWING	SCALE 4:1 SHEET 4 OF 4 REV 11