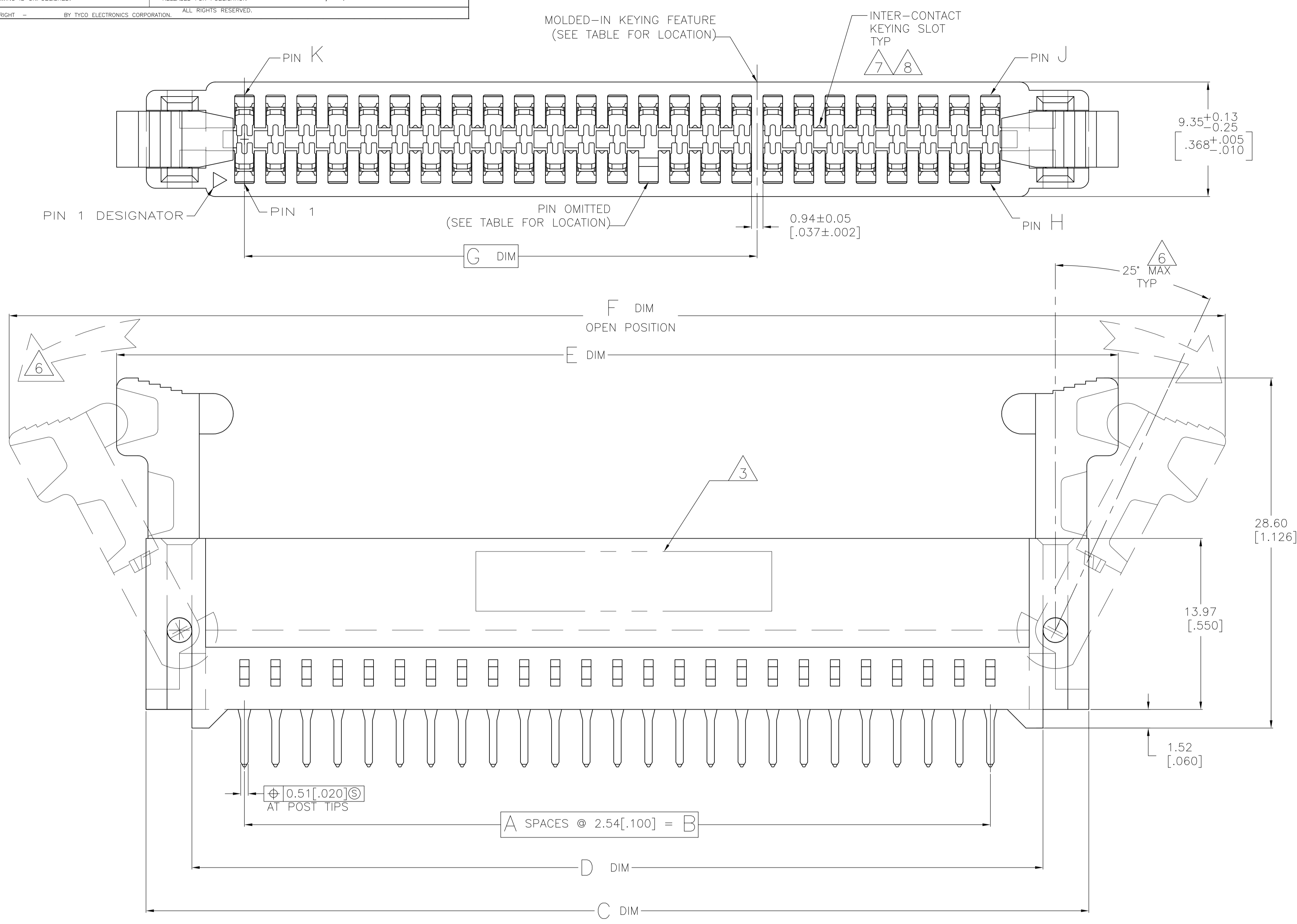
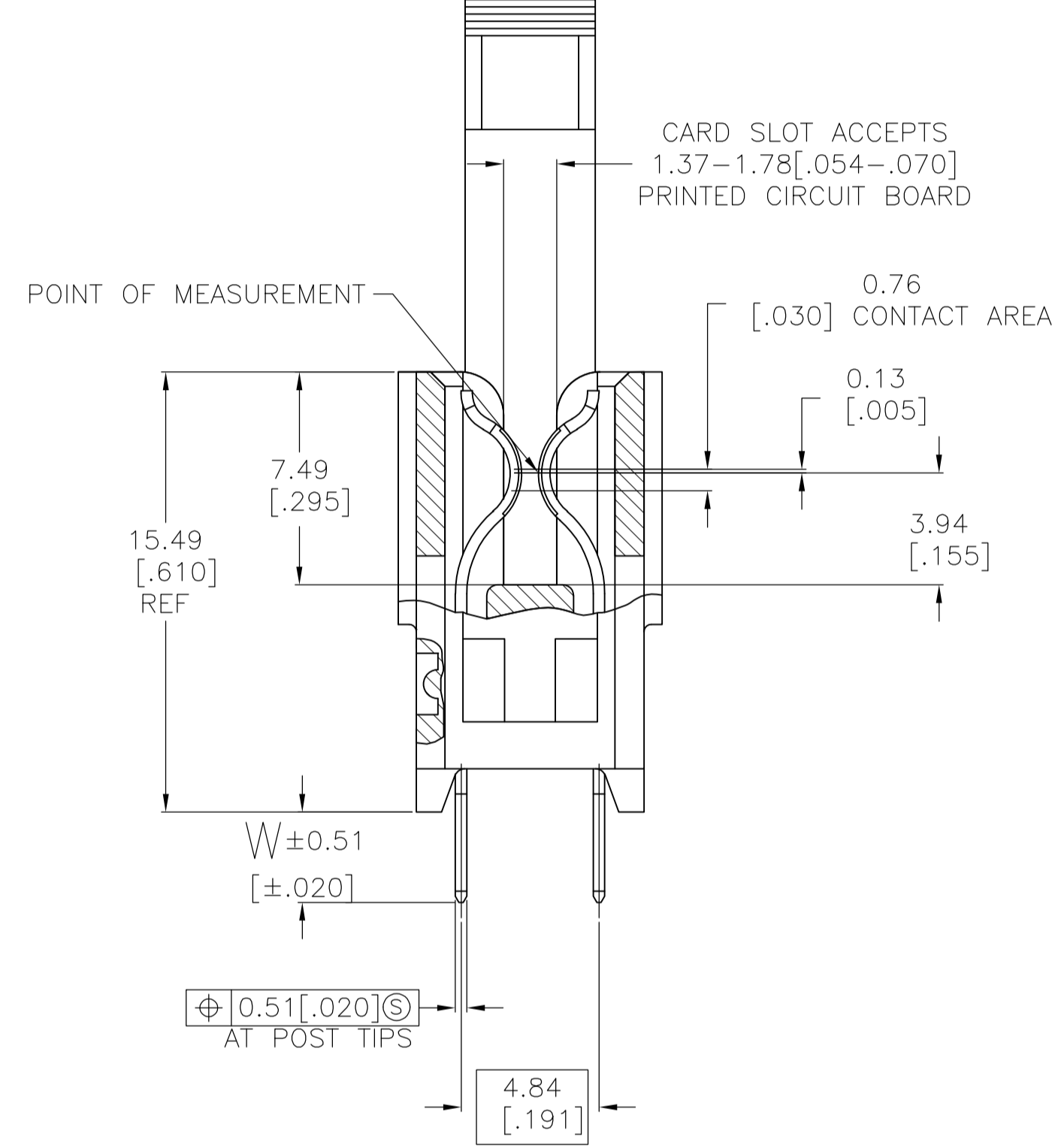


REVISONS		DATE	BY	APP'D
P	ECO-07-026535	07MAR2008	LAM	AWF
P1	REV PER ECO-09-021826	07JAN10	KK	AEG



- MATERIAL:
HOUSING: GLASS FILLED POLYESTER, COLOR: BLACK.
CONTACT: PHOS BRONZE
LATCH: GLASS FILLED POLYESTER, COLOR: BLACK
- FINISH:
0.00076[.000030] MIN GOLD PLATE IN CONTACT AREA,
0.00254[.000100] MIN TIN-LEAD ON SOLDER POSTS, ALL
OVER 0.00127[.000050] MIN NICKEL
- AMP LOGO, TE PART NUMBER, DATE CODE AND CSA LOGO INK STAMPED WHITE (HOT STAMPED OR LAZER PRINTED) IN THE APPROXIMATE AREA SHOWN, EITHER SIDE PERMISSABLE, WHEN HOUSING SIZE PERMITS
- DATUMS AND BASIC DIMENSIONS ESTABLISHED BY CUSTOMER
- CONNECTORS SHOWN ARE USED IN APPLICATIONS WITH VRM MODULES WEIGHING 3 OUNCES OR LESS. ALTERNATE CONNECTOR AND LATCH METHOD IS AVAILABLE FOR VRM MODULES WEIGHING UP TO 6 OUNCES.
- CAUTION: LATCHES ARE INTENDED FOR RETENTION OF PC BOARD TO CONNECTOR, DO NOT ATTEMPT TO FULLY EJECT PC BOARD FROM CONNECTOR WHILE DISENGAGING LATCHES. DAMAGE TO LATCHES AND/OR CONNECTOR MAY OCCUR
- CONNECTORS WITHOUT MOLDED-IN KEYING FEATURE REQUIRE THE USE OF INTERCONTACT KEY PLUG 650025-2. KEY PLACEMENT WITHIN CONNECTOR AT DISCRETION OF END USER
- KEY SLOT REQUIRED WITH USE OF INTERCONTACT KEY PLUG, LOCATION TO CORRESPOND
- OBsolete PARTS: OBSOLETE CIS STREAMLINING PER D.RENAUD/D.SINISI



SUPERCEDED	3-145459-1
SUPERCEDED	3-145459-0
SUPERCEDED	2-145459-0
SUPERCEDED	1-145459-5
SUPERCEDED	1-145459-4
SUPERCEDED	1-145459-3
OBsolete	145459-7
SUPERCEDED	145459-4

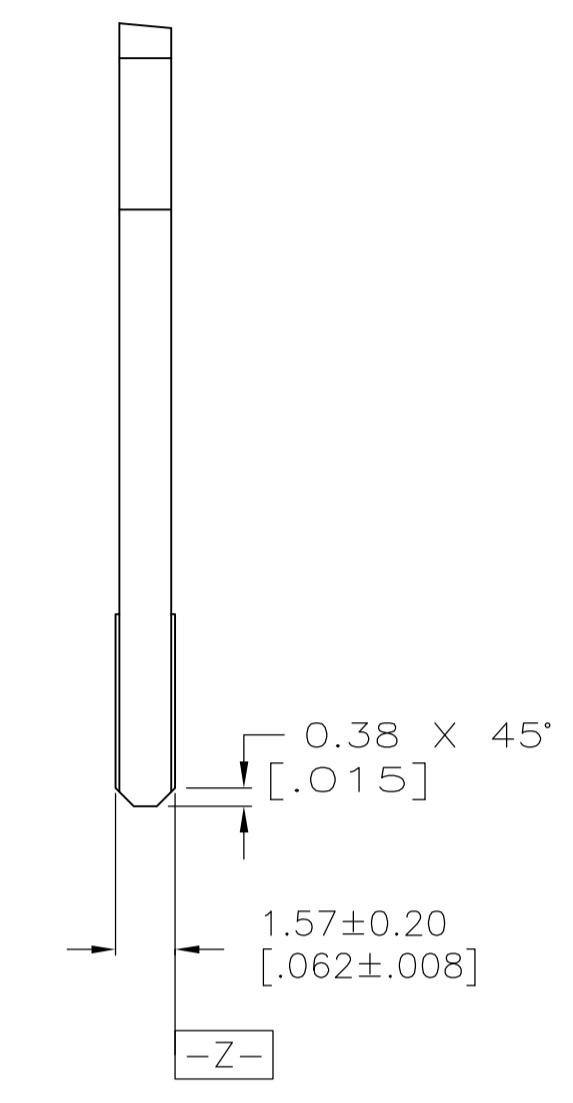
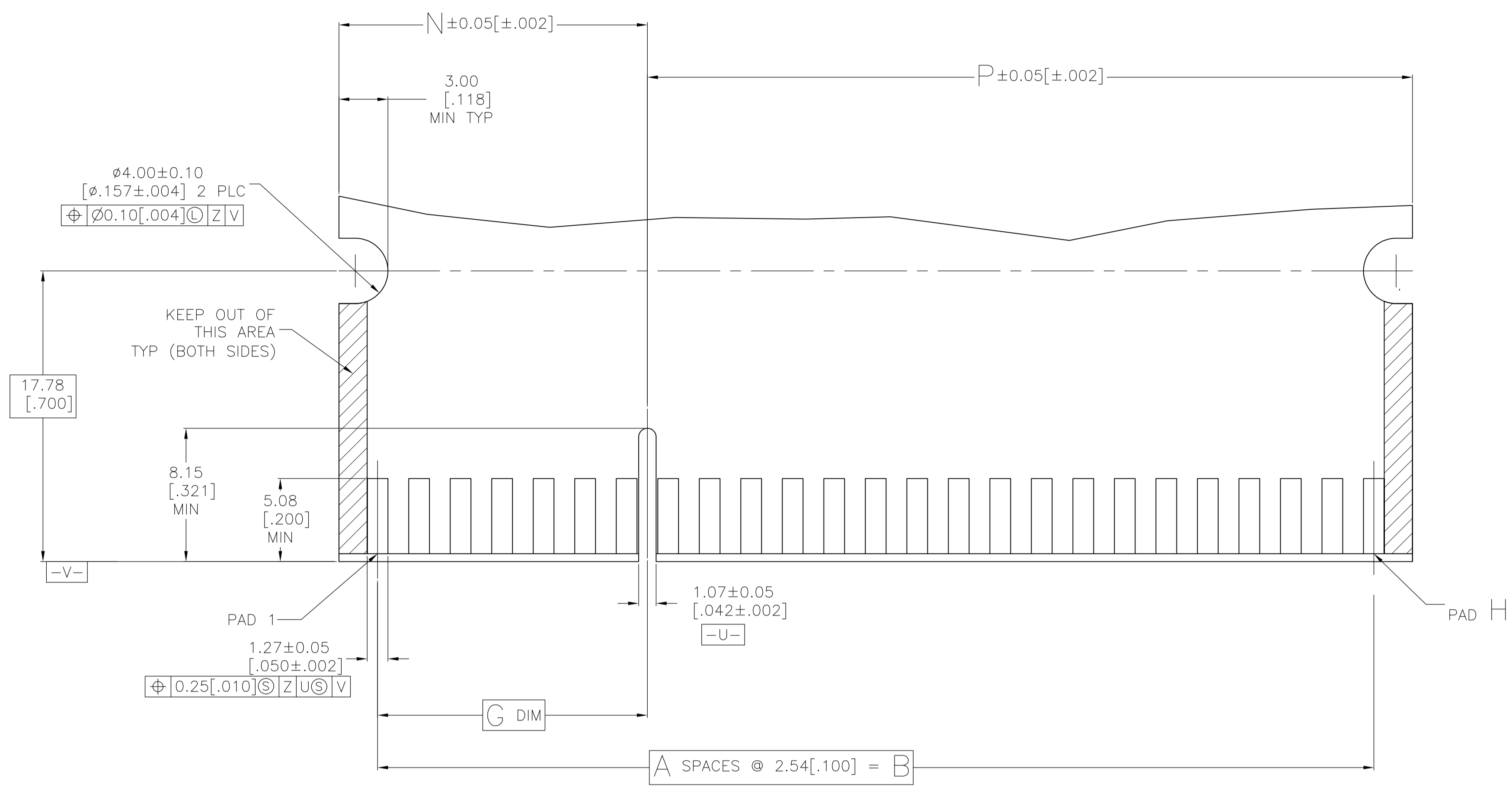
23 & 24	14	3.81 [.150]	31.57 [1.243]	59.51 [2.343]	70	36	35	57.15 [2.250]	123.17 [4.85]	104.9 [4.13]	92.68 [3.649]	100.18 [3.944]	86.36 [3.400]	34	35	2-145459-5
31 & 32	65	3.81 [.150]	11.26 [.443]	79.82 [3.143]	70	36	35	77.46 [3.050]	123.17 [4.85]	104.9 [4.13]	92.68 [3.649]	100.18 [3.944]	86.36 [3.400]	34	35	2-145459-2
27 & 28	67	3.81 [.150]	21.41 [.843]	69.68 [2.743]	70	36	35	67.31 [2.650]	123.17 [4.85]	104.9 [4.13]	92.68 [3.649]	100.18 [3.944]	86.36 [3.400]	34	35	2-145459-1
27 & 28	4	3.18 [.125]	21.41 [.843]	69.68 [2.743]	70	36	35	67.31 [2.650]	123.17 [4.85]	104.9 [4.13]	92.68 [3.649]	100.18 [3.944]	86.36 [3.400]	34	35	1-145459-0
9 & 10	-	3.18 [.125]	41.73 [1.643]	23.95 [.943]	50	26	25	21.59 [.850]	97.76 [3.85]	79.5 [3.13]	67.28 [2.649]	74.78 [2.944]	60.96 [2.400]	24	25	1-145459-9
19 & 20	-	3.18 [.125]	16.33 [.643]	49.35 [1.943]	50	26	25	46.98 [1.850]	97.76 [3.85]	79.5 [3.13]	67.28 [2.649]	74.78 [2.944]	60.96 [2.400]	24	25	145459-6
23 & 24	-	3.18 [.125]	31.57 [1.243]	59.51 [2.343]	70	36	35	57.15 [2.250]	123.17 [4.85]	104.9 [4.13]	92.68 [3.649]	100.18 [3.944]	86.36 [3.400]	34	35	145459-5
7 8	-	3.18 [.125]	7 8	7 8	70	36	35	7 8	123.17 [4.85]	104.9 [4.13]	92.68 [3.649]	100.18 [3.944]	86.36 [3.400]	34	35	145459-2
MOLDED-IN KEYING FEATURE LOCATED BETWEEN PINS	OMITTED PIN AND HOLE	W	P	N	K	J	H	G	F	E	D	C	B	A	NO OF DUAL POSITIONS	PART NUMBER

9 OBSOLETE

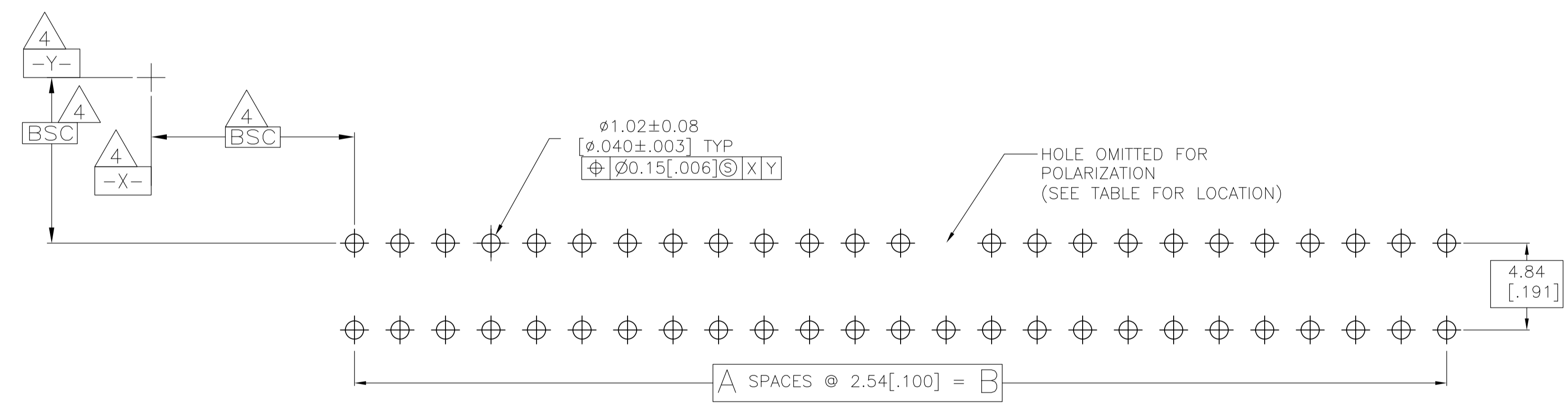
THIS DRAWING IS A CONTROLLED DOCUMENT.

DIMENSIONS: mm [INCHES]	TOLERANCES UNLESS OTHERWISE SPECIFIED:	DRAWING NO. 114-13018	REV 1
0 PLC ± .005	1 PLC ± .005	2 PLC ± .013 [0.005]	3 PLC ± .013 [0.005]
4 PLC ± .013 [0.005]	ANGLES ± .2°	WEIGHT	SCALE 5:1

Customer Drawing



RECOMMENDED MATING BOARD EDGE CONFIGURATION



RECOMMENDED PC BOARD HOLE LAYOUT

THIS DRAWING IS A CONTROLLED DOCUMENT.		DIN MM/LA.MAYER 07MAR2008		Tyco Electronics Corporation	
DIMENSIONS: mm [INCHES]		CHK A.W.FRANTUM 07MAR2008		Tyco Electronics Harrisburg, PA 17105-3608	
TOLERANCES UNLESS OTHERWISE SPECIFIED:		APVD S.FLICKINGER 07MAR2008		NAME	
0 PLC ± -		PRODUCT SPEC		CONNECTOR ASSEMBLY, STANDARD EDGE II, 2.54 [.100] CENTERLINE	
1 PLC ± -		APPLICATION SPEC		SIZE	
2 PLC ± 0.13 [.005]		114-13018		CAGE CODE DRAWING NO	
3 PLC ± -		A1 00779		RESTRICTED TO	
4 PLC ± -		C=145459		SCALE 5:1 SHEET 2 OF 2 REV P1	
MATERIAL SEE NOTE 1		FINISH SEE NOTE 2		CUSTOMER DRAWING	