



eco|mate®
AQUARIUS™
Waterproof Connectors





We Are Amphenol

Global Interconnect Solution Supplier

For over 80 years Amphenol has enjoyed success as the interconnection technology provider of choice for industry leading companies around the world. Our organization works with leading manufacturers across a wide range of applications - including Energy Generation & Distribution, Transportation, Heavy Equipment, Factory Automation, Wireless Outdoor, Information Technology and Data Communications Equipment, Mobile Devices, Mobile Networks, Broadband Communication, Military and Commercial Aerospace, Industrial, Automotive and Chip Card Readers - enabling smarter, faster and better technologies to connect products to customer solutions.

Our engineers design innovative combinations of industry standard connectors and application specific shielding components to create assembly systems that set the standards for performance, reliability, and cost effectiveness. Our engineering, materials, and manufacturing organizations meet the high standards imposed by ISO 9001:2008 as well as many customer specific quality systems. Our performance has earned us ship to stock and world class performance awards from many major OEMs.

We are one of the largest interconnect solution suppliers in the world and supply a wide range of product solutions globally. The industrial market footprint of Amphenol covers more than 30 countries.



© 2015 Amphenol Sine Systems Corporation. Every effort has been made to ensure that the information contained in this document is accurate at the time of publication. Specifications or information stated in this document are subject to change without notice. www.amphenol-sine.com +1 800 394 7732

eco | mate® Aquarius

Waterproof Connectors

Table of Contents

We Are Amphenol

Global Interconnect Solution Supplier	1
---------------------------------------	---

Connector Guide

Introduction to eco mate® Aquarius	6
Typical Applications	7
Overview	8
Connector Configurations	9
Insert Arrangements	10

Connector Solutions

3 POSITIONS 7A / 250V	15
3 POSITIONS 13A / 500V	21
3 POSITIONS 13A / 600V	27
3 POSITIONS 45A / 600V	35
4 (2+2) POSITIONS 13A & 7.5A/5.0A / 500V	73
4 (2+2) POSITIONS 23A & 7.5A/5.0A / 350V	83
4 (2+2) POSITIONS 23A & 7.5A/5.0A / 350V	85
4 (2+2) POSITIONS 23A & 13A / 500V	91
4 POSITIONS 7A / 250V	41
4 POSITIONS 13A / 500V	47
4 POSITIONS 13A / 500V	55
4 POSITIONS 23A / 500V	61
4 POSITIONS 45A / 500V	67
6 POSITIONS 7.5A/5.0A / 250V	99
6 POSITIONS 7.5A/5.0A / 250V	101
7 POSITIONS 13A / 500V	107
8 POSITIONS 13A / 500V	113
8 POSITIONS 13A / 500V	121
8 POSITIONS 23A / 375V	129
9 (4+5) POSITIONS 23A & 13A / 500V	135
10 POSITIONS 7.5A / 5A / 250V	143
12 POSITIONS 13A / 500V	151
19 POSITIONS 7.5A / 5A / 250V	159
19 POSITIONS 13A / 500V	167
23 POSITIONS 13A / 500V	175
26 POSITIONS 7.5A / 5A / 150V	183
32 POSITIONS 7.5A / 5A / 150V	191

Appendix

Glossary of Terms	198
Part Number Index	200

Introduction to eco|mate® Aquarius

Quick Reliable Mating

Bayonet Coupling

With a quick twist of the bayonet coupling system, these connectors provide positive tactile feedback to insure confident mating. This feature also reduces time and labor during installation.

Economical and Flexible

Mixed Power & Signal Layouts

Power and signal contacts can be combined in a variety of inserts providing a highly flexible interconnect solution to reduce system complexity and minimize installation costs.

Waterproof

IP68/69k in mated condition

Corrosion Resistant

Salt Spray >500 hours

Designed to withstand climate ingress and exposure to salt spray or a corrosive atmosphere while still maintaining mechanical and electrical functionality.

Wide Ranging Contact System

Flexible Contact Solutions

Our contact system offers the flexibility of using a wide variety of contact styles and wire gauges within various connectors, shell sizes and insert layouts, providing customers with a total solution.

eco|mate® Aquarius

Waterproof Connectors

Typical Applications



eco|mate® Aquarius

Waterproof Connectors



Overview

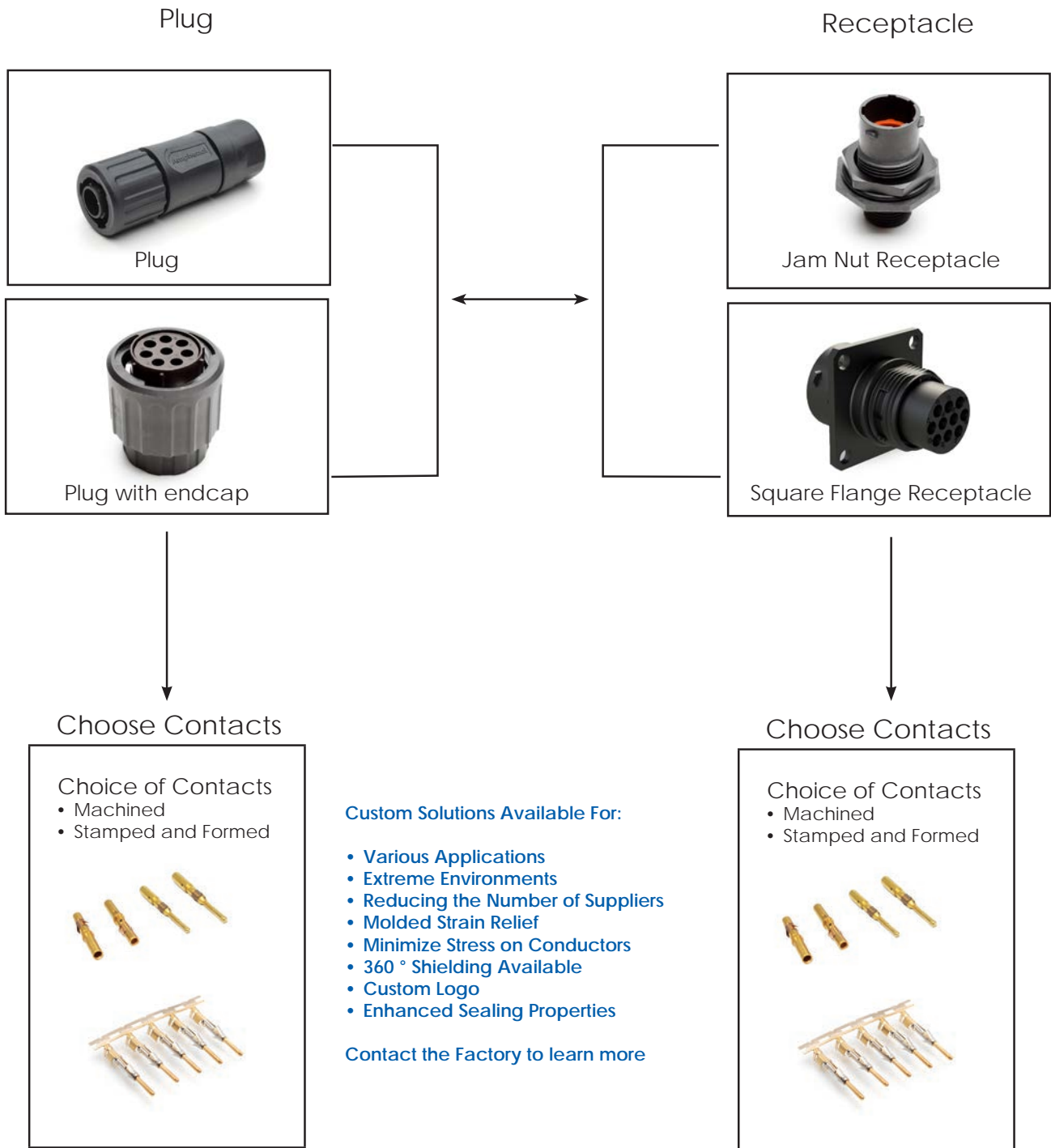
ecomate Aquarius™ - Technical Specifications

IP Rating	Dynamic IP68/69K
Flammability Rating	UL94-VO
Fluid Resistance	Gas, oil, mineral oil, acid bath, basic bath
RoHS Compliant	RoHS All materials meet the requirements of the European Directive 2002/95/EC, Issue 13.2.2003
Approvals	UL Compliant
Temperature Range	-40°C to +105°C Standard Products with NBR Seal -40°C to +125°C Standard Products with Silicone Seal
Max. Current (AMP)	23A
Max. Voltage Rating (AC/DC)	500V
Contact Resistance	#16 <6 mΩ #20 <15 mΩ 2.5mm < 5 mΩ

Min. Mating Cycles	>500 mating cycles
Vibration	10-2000 Hz, level of 20 G's
Test Voltage Rating	1500V
Overvoltage Category	III
Strain Relief Clamp Range	1.5 - 14.0mm
Wire Range	28-12AWG
Housing Body	Thermoplastic UL94-VO
Insulation Inserts	Thermoplastic, UL94-VO
Insulation Resistance	5000 megohms min. of 25°C
Contacts	Copper Alloy (Gold, Tin & Silver Plating are available)
Sealing Material	SR/NBR
Thermal Shock	No cracking, chipping or leaking after 20 test cycles from -55°C to 125°C

High Performance Cost Effective Waterproof Connectors




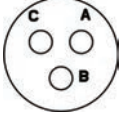
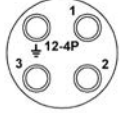
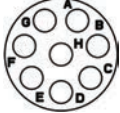


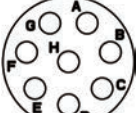

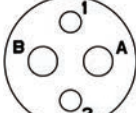

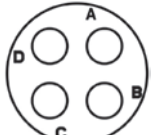
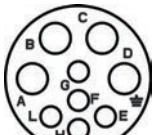
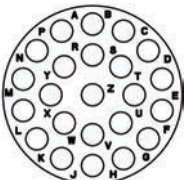
Connector Configurations



eco|mate® Aquarius

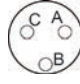
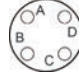

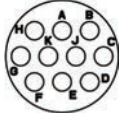

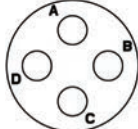


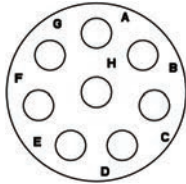
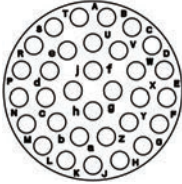
Waterproof Connectors

Insert Arrangements

Shell Size	Contact #16 (Ø 1.6)			Mixed Power & Signal
8	Consult factory			Consult factory
10	 <p>3 positions Contact #16 (Ø 1.6) 13A 500V see page 21</p>	 <p>4 positions Contact #16 (Ø 1.6) 13A 500V see page 47</p>	Consult factory	 <p>4 positions Contacts #16 (Ø 1.6) & #20 (Ø 1.0) 13A & 20# 5A/7.5A (machined) 500V AC/DC see page 73</p>
12	 <p>3 positions Contact #16 (Ø 1.6) 13A 600V see page 27</p>	 <p>4 positions Contact #16 (Ø 1.6) 13A 500V see page 55</p>	 <p>8 positions Contact #16 (Ø 1.6) 13A 500V see page 113</p>	 <p>4 positions Contacts #16 (Ø 1.6) & #20 (Ø 1.0) 23A & 20# 5A/7.5A (machined) 350V AC/DC see page 83</p>
14	 <p>7 positions Contact #16 (Ø 1.6) 13A 500V AC/DC see page 107</p>	 <p>8 positions Contact #16 (Ø 1.6) 13A 500V AC/DC see page 121</p>	 <p>12 positions Contact #16 (Ø 1.6) 13A 500V see page 151</p>	 <p>4 positions Contacts 2.5mm & 16 (Ø 1.6) 23A & 13A 500V AC/DC see page 91</p>
16	 <p>19 positions Contact #16 (Ø 1.6) 13A 500V page 167</p>	 <p>4 positions Contact #8 (Ø 3.6) 45A 500V AC/DC page 67</p>	Consult factory	 <p>9 positions Contact 2.5mm & #16 (Ø 1.6) 23A & 13A 350V AC/DC page 135</p>
18	 <p>23 positions Contact #16 (Ø 1.6) 13A 500V page 175</p>	Consult factory		

Connector Guide

Insert Arrangements (con't)

Shell Size	Contact #8	Contact 2.5mm	Contact #20 (Ø 1.0)	
8			 <p>3 positions Contact #16 (Ø 1.6) 7A 250V see page 15</p>	 <p>4 positions Contact #16 (Ø 1.6) 7A 250V see page 41</p>
10	Consult factory		 <p>6 positions Contact #20 (Ø 1.0) 5A/7.5A (machined) 250V see page 99</p>	
12			 <p>10 positions Contact #20 (Ø 1.0) 5A/7.5A (machined) 250V see page 143</p>	Consult factory
14	 <p>3 positions Contact #8 45A 600V AC/DC see page 35</p>	 <p>4 positions Contact 2.5mm 23A 500V AC/DC see page 61</p>	 <p>19 positions Contact #20 (Ø 1.0) 5A, 7.5A(machined) 250V see page 159</p>	
16	Consult factory		 <p>26 positions Contact #20 (Ø 1.0) 5A, 7.5A(machined) 250V page 183</p>	
18			 <p>8 positions Contact 2.5mm 23A 500V AC/DC page 129</p>	 <p>32 positions Contact #20 (Ø 1.0) 5A/7.5A (machined) 250V page 191</p>

Insert Arrangements are Pin Faceview

eco|mate® Aquarius

Waterproof Plastic Connectors

Connector Solutions

3 POSITIONS 7A / 250V	15
3 POSITIONS 13A / 500V	21
3 POSITIONS 13A / 600V	27
3 POSITIONS 45A / 600V	35
4 POSITIONS 7A / 250V	41
4 POSITIONS 13A / 500V	47
4 POSITIONS 13A / 500V	55
4 POSITIONS 23A / 500V	61
4 POSITIONS 45A / 500V	67
4 (2+2) POSITIONS 13A & 7.5A/5.0A / 500V	73
4 (2+2) POSITIONS 23A & 7.5A/5.0A / 350V	83
4 (2+2) POSITIONS 23A & 7.5A/5.0A / 350V	85
4 (2+2) POSITIONS 23A & 13A / 500V	91
6 POSITIONS 7.5A/5.0A / 250V	99
6 POSITIONS 7.5A/5.0A / 250V	101
7 POSITIONS 13A / 500V	107
8 POSITIONS 13A / 500V	113
8 POSITIONS 13A / 500V	121
8 POSITIONS 23A / 375V	129
9 (4+5) POSITIONS 23A & 13A / 500V	135
10 POSITIONS 7.5A / 5A / 250V	143
12 POSITIONS 13A / 500V	151
19 POSITIONS 7.5A / 5A / 250V	159
19 POSITIONS 13A / 500V	167
23 POSITIONS 13A / 500V	175
26 POSITIONS 7.5A / 5A / 150V	183
32 POSITIONS 7.5A / 5A / 150V	191

STEP 1
Choose Receptacle Style

STEP 2
Choose Plug Style

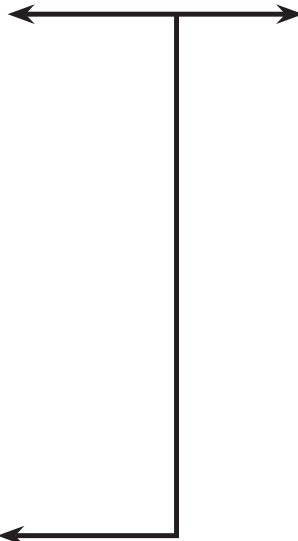
Jam Nut Receptacles



Square Flange Receptacles



Plugs



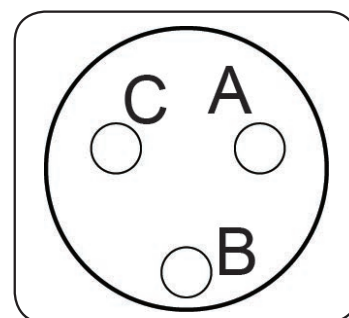
SEE TABLE ON NEXT PAGE FOR PART DETAILS

CONTACTS SOLD SEPARATELY SEE PAGE 18

Shell Size: 8 Number of Contacts: 3 Contact Size: 20, Loaded
Sealing: IP67 /IP69k Salt Spray: 500h

eco | mate® Aquarius Standard Products

- Suitable For Indoor and Outdoor Applications
- EMI/RMI Shielding Capability with Appropriate Backshell
- Operating Temperature: -40°C to +105°C
- 500 Mating Cycles
- Contacts and Cord Grips Ordered Separately
- UL ECBT2 Certified*



Insert Arrangement
Pin (Male) Faceview

Connector Part Numbers - Receptacles

PART NO#	Description	Temperature Range	Figure Drawing
RTS78N3P	Receptacle, jam nut, 3 positions, size 8, pin contact (loaded), NBR seal	-40C to 105C	1
RTS78N3S	Receptacle, jam nut, 3 positions, size 8, socket (loaded) contact NBR seal	-40C to 105C	2
RTS08N3P	Receptacle, square flange, 3 positions, size 8, pin contact (loaded), NBR Seal	-40C to 105C	3
RTS08N3S	Receptacle, square flange, 3 positions, size 8, socket contact (loaded), NBR Seal	-40C to 105C	4

Connector Part Numbers - Plugs

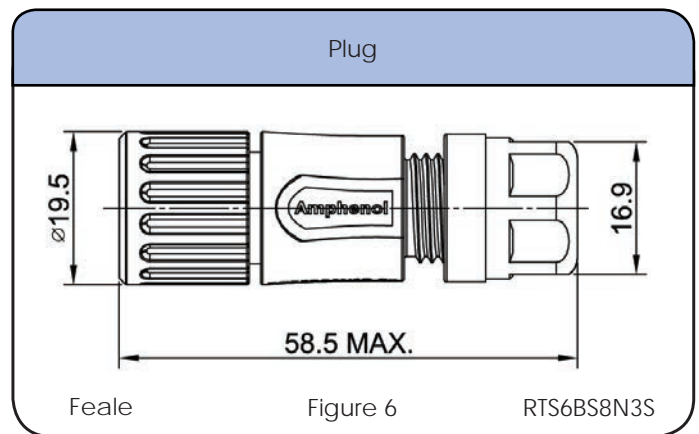
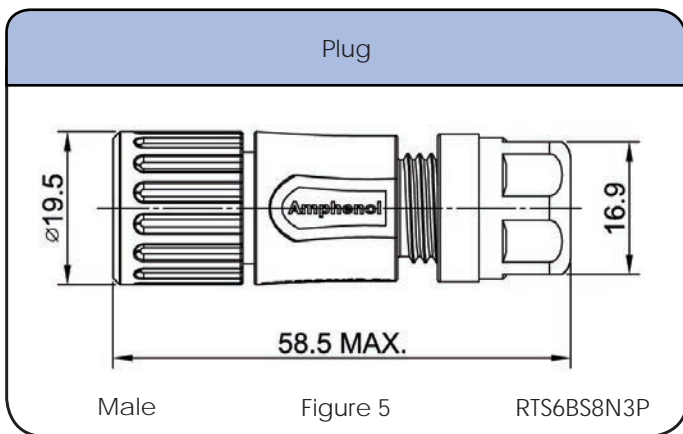
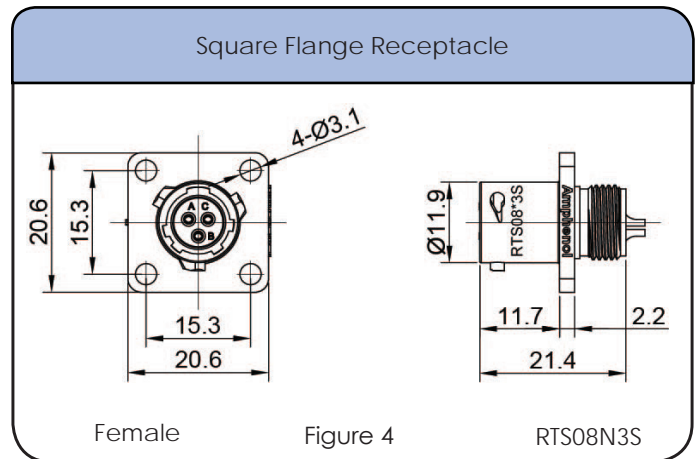
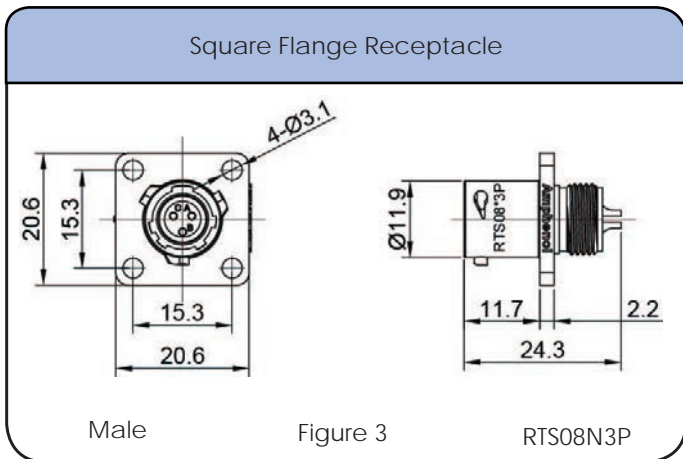
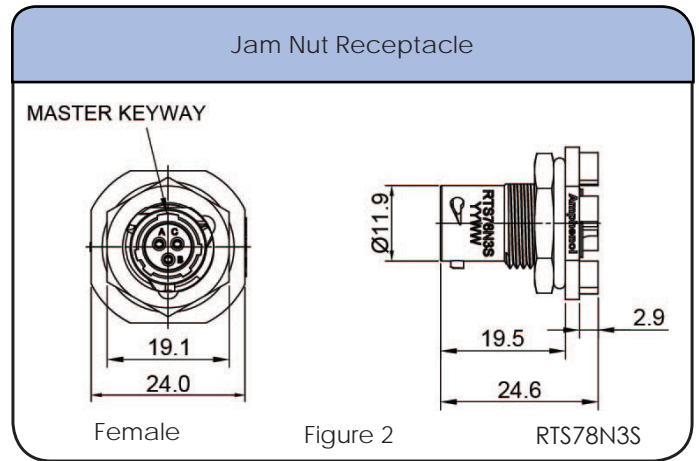
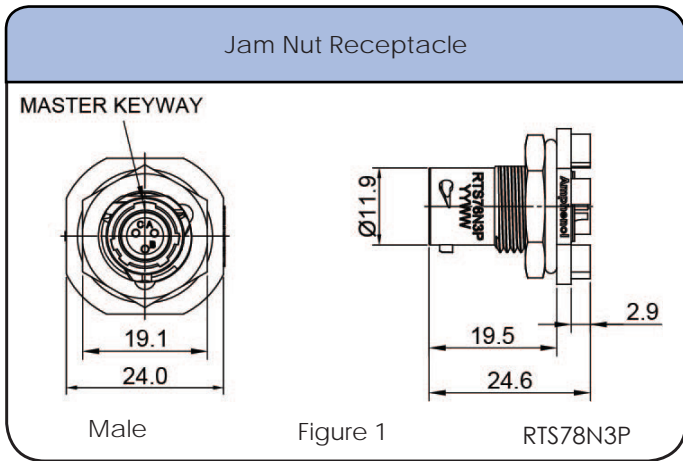
PART NO#	Description	Temperature Range	Figure Drawing
RTS6BS8N3P	Straight plug with cord grip, 3 positions, size 8, pin contact (loaded), NBR seal	-40C to 105C	5
RTS6BS8N3S	Straight plug with cord grip, 3 positions, size 8, socket contact (loaded), NBR seal	-40C to 105C	6

Contacts supplied separately see page 18

Shell Size: 8 Number of Contacts: 3
 Sealing: IP67 /IP69k Salt Spray: 500h

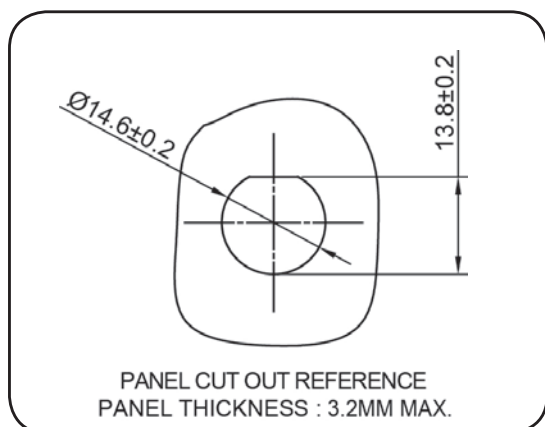
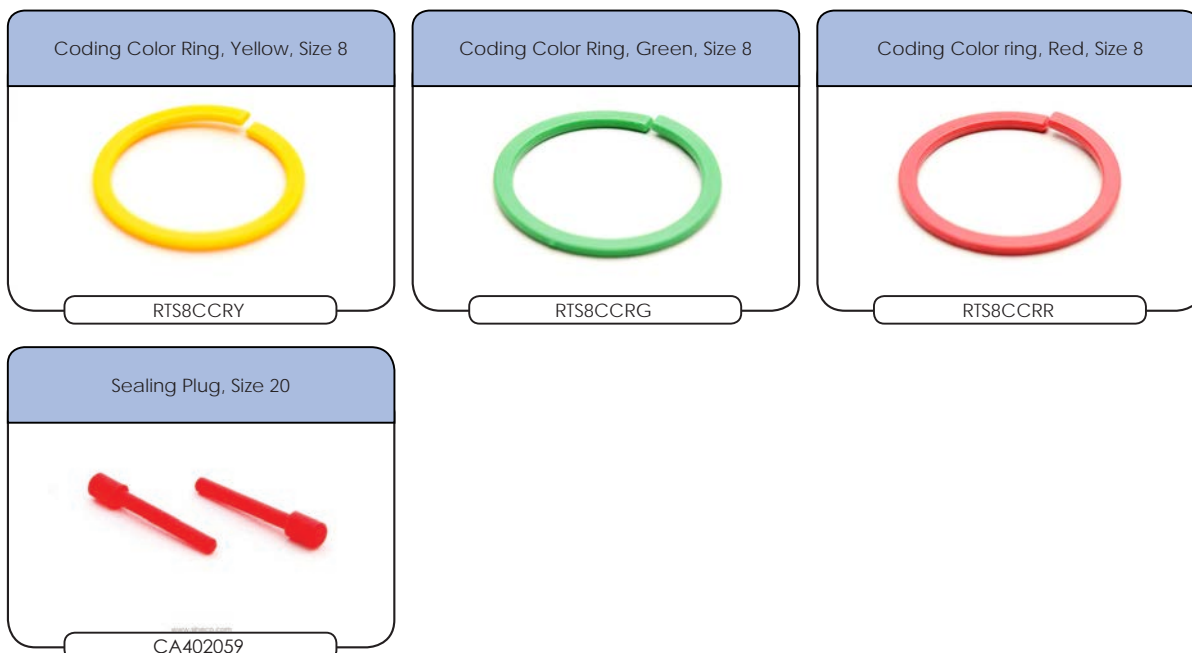
Contact Size: 20

Dimensions Receptacles / Plugs



Shell Size: 8 Number of Contacts: 3 Contact Size: 20
Sealing: IP67 /IP69k Salt Spray: 500h

Accessories



Shell Size: 8 Number of Contacts: 3 Contact Size: 20
 Sealing: IP67 /IP69k Salt Spray: 500h

Contacts Machined



Crimp Contacts, Machined

Part Number		AWG	Wire Ranget (mm ²)	Plating
Male	Female			
MP20W23F	MS20W23F	22-20	.34-.50	Gold Flash
MP20W23G5	MS20W23G5	22-20	.34-.50	Gold 5μ"
MP20W23G10	MS20W23G10	22-20	.34-.50	Gold 10μ"
MP20W23G15	MS20W23G15	22-20	.34-.50	Gold 15μ"
MP20W23G30	MS20W23G30	22-20	.34-.50	Gold 30μ"
MP24W23F	MS24W23F	26-24	.13-.25	Gold Flash
MP24W23G5	MS24W23G5	26-24	.13-.25	Gold 5μ"
MP24W23G10	MS24W23G10	26-24	.13-.25	Gold 10μ"
MP24W23G15	MS24W23G15	26-24	.13-.25	Gold 15μ"
MP24W23G30	MS24W23G30	26-24	.13-.25	Gold 30μ"
MP28W23F	MS28W23F	30-28	.05-.08	Gold Flash
MP28W23G5	MS28W23G5	30-28	.05-.08	Gold 5μ"
MP28W23G10	MS28W23G10	30-28	.05-.08	Gold 10μ"
MP28W23G15	MS28W23G15	30-28	.05-.08	Gold 15μ"
MP28W23G30	MS28W23G30	30-28	.05-.08	Gold 30μ"

Tools



Shell Size: 8 Number of Contacts: 3 Contact Size: 20
Sealing: IP67 /IP69k Salt Spray: 500h

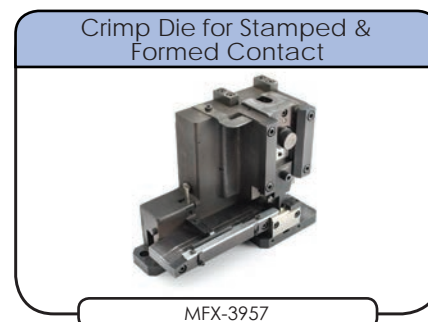
Contacts Stamped & Formed



Crimp Contacts, Stamped & Formed

Part Number		AWG	Wire Range (mm ²)	Plating
Male	Female			
SP20W1F	SS20W1F	22-20	.34-.50	Gold Flash
SP20W1G5	SS20W1G5	22-20	.34-.50	Gold 5μ"
SP20W1G10	SS20W1G10	22-20	.34-.50	Gold 10μ"
SP20W1G15	SS20W1G15	22-20	.34-.50	Gold 15μ"
SP20W1G30	SS20W1G30	22-20	.34-.50	Gold 30μ"
SP24W1F	SS24W1F	26-24	.14-.25	Gold Flash
SP24W1G5	SS24W1G5	26-24	.14-.25	Gold 5μ"
SP24W1G10	SS24W1G10	26-24	.14-.25	Gold 10μ"
SP24W1G15	SS24W1G15	26-24	.14-.25	Gold 15μ"
SP24W1G30	SS24W1G30	26-24	.14-.25	Gold 30μ"
SP28W1F	SS28W1F	30-28	.05-.08	Gold Flash
SP28W1G5	SS28W1G5	30-28	.05-.08	Gold 5μ"
SP28W1G10	SS28W1G10	30-28	.05-.08	Gold 10μ"
SP28W1G15	SS28W1G15	30-28	.05-.08	Gold 15μ"
SP28W1G30	SS28W1G30	30-28	.05-.08	Gold 30μ"

Tools



STEP 1
Choose Receptacle Style

STEP 2
Choose Plug Style

Jam Nut Receptacles



Square Flange Receptacles



Plugs



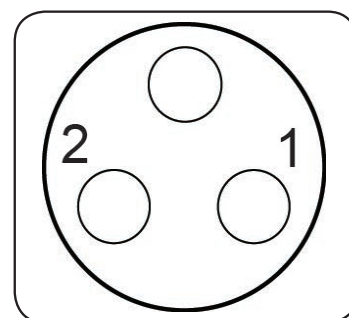
SEE TABLE ON NEXT PAGE FOR PART DETAILS

CONTACTS SOLD SEPARATELY SEE PAGE 24

Shell Size: 10 Number of Contacts: 3 Contact Size: 16
Sealing: IP67 / IP69k Salt Spray: 500h

eco | mate® Aquarius Standard Products

- Suitable For Indoor and Outdoor Applications
- EMI/RMI Shielding Capability with Appropriate Backshell
- Operating Temperature: -40°C to +125°C
- 500 Mating Cycles
- Contacts and Cord Grips Ordered Separately
- UL ECBT2 Certified*



Insert Arrangement
Pin (Male) Faceview

Connector Part Numbers -Receptacles

PART NO#	Description	Temperature Range	Figure Drawing
RTS710N3P03	Receptacle, jam nut, 3 positions, size 10, pin contact, silicone rubber seal	-40 to 125°C	1
RTS710N3S03	Receptacle, jam nut, 3 positions, size 10, socket contact, silicone rubber seal	-40 to 125°C	2
RTS010N3P03	Receptacle, square flange, 3 positions, size 10, pin contact, silicone rubber seal	-40 to 125°C	3
RTS010N3S03	Receptacle, square flange, 3 positions, size 10, socket contact, silicone rubber seal	-40 to 125°C	4

Connector Part Numbers -Plugs

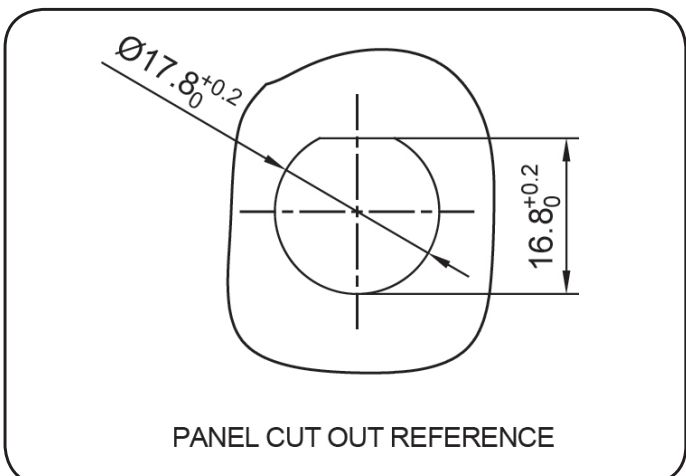
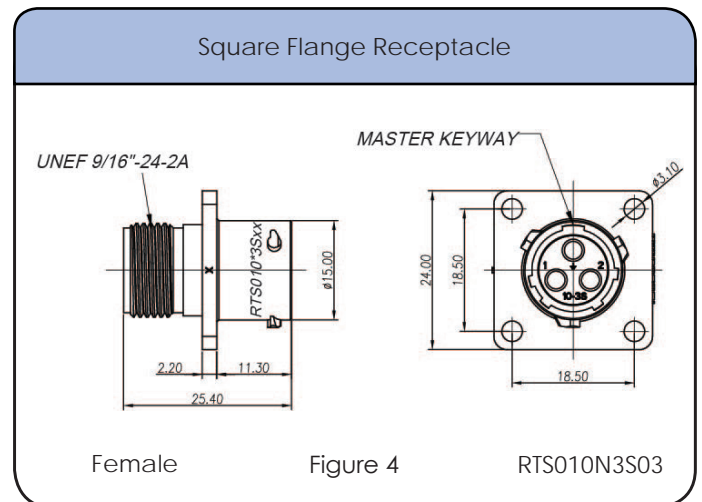
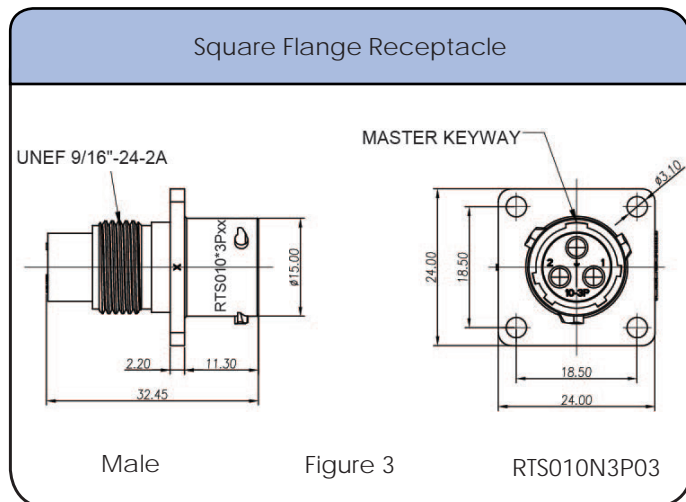
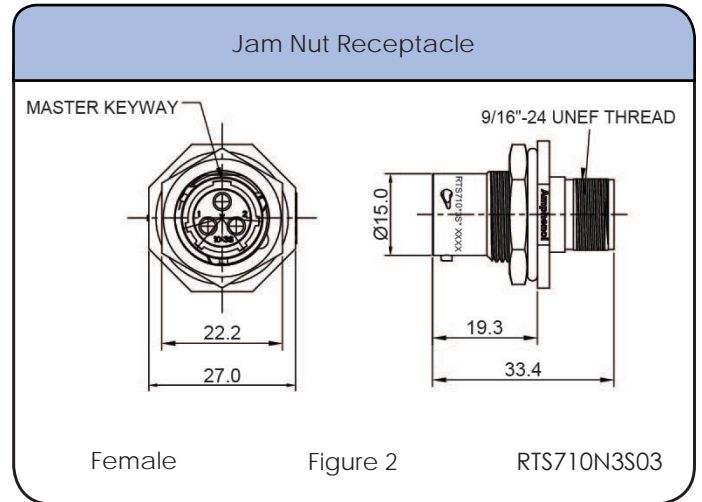
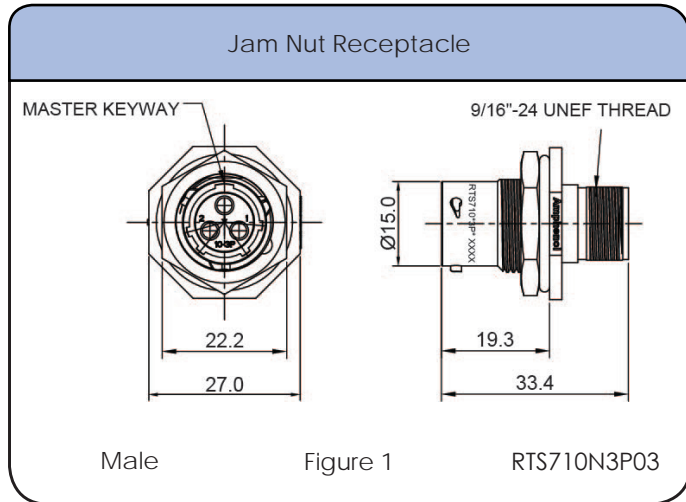
PART NO#	Description	Temperature Range	Figure Drawing
RTS6BS10N3P03	Straight plug with cord grip, 3 positions, size 10, pin contact, silicone rubber seal	-40 to 125°C	5
RTS6BS10N3S03	Straight plug with cord grip, 3 positions, size 10, socket contact, silicone rubber seal	-40 to 125°C	6

Contacts supplied separately see page 24

Shell Size: 10 Number of Contacts: 3 Sealing: IP67 / IP69k Salt Spray: 500h

Contact Size: 16

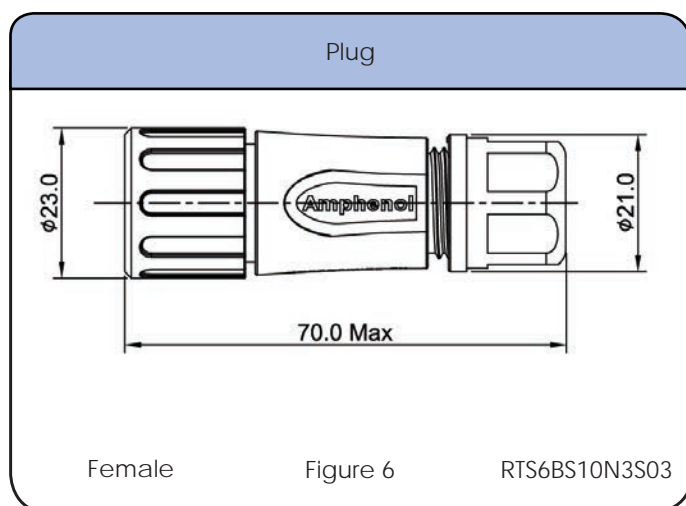
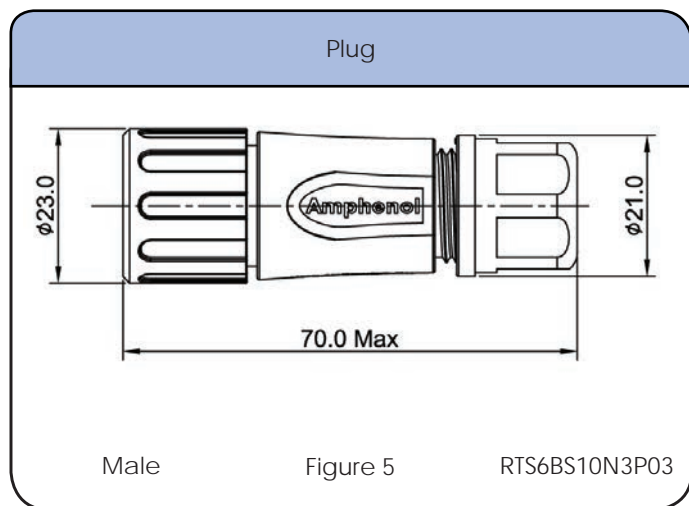
Dimensions Jam Nut / Square Flange Receptacles



Shell Size: 10 Number of Contacts: 3
Sealing: IP67 / IP69k Salt Spray: 500h

Contact Size: 16

Dimensions Plugs



Accessories



Shell Size: 10 Number of Contacts: 3 Contact Size: 16
 Sealing: IP67 / IP69k Salt Spray: 500h

Contacts Machined



Crimp Contacts, Machined

Part Number		AWG	Wire Range (mm ²)	Plating
Male	Female			
MP14M23F	MS14M23F	14	2.0-2.5	Gold Flash
MP14M23G5	MS14M23G5	14	2.0-2.5	Gold 5μ"
MP14M23G10	MS14M23G10	14	2.0-2.5	Gold 10μ"
MP14M23G15	MS14M23G15	14	2.0-2.5	Gold 15μ"
MP14M23G30	MS14M23G30	14	2.0-2.5	Gold 30μ"
MP16M23F	MS16M23F	18-16	.75-1.5	Gold Flash
MP16M23G5	MS16M23G5	18-16	.75-1.5	Gold 5μ"
MP16M23G10	MS16M23G10	18-16	.75-1.5	Gold 10μ"
MP16M23G15	MS16M23G15	18-16	.75-1.5	Gold 15μ"
MP16M23G30	MS16M23G30	18-16	.75-1.5	Gold 30μ"
MP20M23F	MS20M23F	22-20	.34-.50	Gold Flash
MP20M23G5	MS20M23G5	22-20	.34-.50	Gold 5μ"
MP20M23G10	MS20M23G10	22-20	.34-.50	Gold 10μ"
MP20M23G15	MS20M23G15	22-20	.34-.50	Gold 15μ"
MP20M23G30	MS20M23G30	22-20	.34-.50	Gold 30μ"
MP24M23F	MS24M23F	26-24	.14-.25	Gold Flash
MP24M23G5	MS24M23G5	26-24	.14-.25	Gold 5μ"
MP24M23G10	MS24M23G10	26-24	.14-.25	Gold 10μ"
MP24M23G15	MS24M23G15	26-24	.14-.25	Gold 15μ"
MP24M23G30	MS24M23G30	26-24	.14-.25	Gold 30μ"

Tools



Shell Size: 10 Number of Contacts:3 Contact Size: 16
Sealing: IP67 / IP69k Salt Spray: 500h

Contacts Stamped & Formed



Stamped & Formed Contacts

Crimp Contacts, Stamped & Formed

Part Number		AWG	Wire Range (mm ²)	Plating
Male	Female			
SP14M1F	SS14M1F	14	2.0-2.5	Gold Flash
SP14M1G5	SS14M1G5	14	2.0-2.5	Gold 5μ"
SP14M1G10	SS14M1G10	14	2.0-2.5	Gold 10μ"
SP14M1G15	SS14M1G15	14	2.0-2.5	Gold 15μ"
SP14M1G30	SS14M1G30	14	2.0-2.5	Gold 30μ"
SP16M1F	SS16M1F	18-16	.75-1.5	Gold Flash
SP16M1G5	SS16M1G5	18-16	.75-1.5	Gold 5μ"
SP16M1G10	SS16M1G10	18-16	.75-1.5	Gold 10μ"
SP16M1G15	SS16M1G15	18-16	.75-1.5	Gold 15μ"
SP16M1G30	SS16M1G30	18-16	.75-1.5	Gold 30μ"
SP20M1F	SS20M1F	22-20	.34-.50	Gold Flash
SP20M1G5	SS20M1G5	22-20	.34-.50	Gold 5μ"
SP20M1G10	SS20M1G10	22-20	.34-.50	Gold 10μ"
SP20M1G15	SS20M1G15	22-20	.34-.50	Gold 15μ"
SP20M1G30	SS20M1G30	22-20	.34-.50	Gold 30μ"
SP24M1F	SS24M1F	26-24	.14-.25	Gold Flash
SP24M1G5	SS24M1G5	26-24	.14-.25	Gold 5μ"
SP24M1G10	SS24M1G10	26-24	.14-.25	Gold 10μ"
SP24M1G15	SS24M1G15	26-24	.14-.25	Gold 15μ"
SP24M1G30	SS24M1G30	26-24	.14-.25	Gold 30μ"

Tools



Contact Extraction Tool, #16 (Ø 1.6) Contact

QXRT16



Hand Tool, Stamped & Formed Contact, 16 AWG

MFX-3954



Crimp Die for Stamped & Formed Contact

MFX-3957

STEP 1
Choose Receptacle Style

STEP 2
Choose Plug Style

Jam Nut Receptacles



RTS712N3P03



RTS712N3S03



RTS712N3PHEC03

Square Flange Receptacles



RTS012N3P03



RTS012N3S03



RTS012N3PHEC03



RTS012N3SHEC03

Plugs



RTS6BS12N3P03



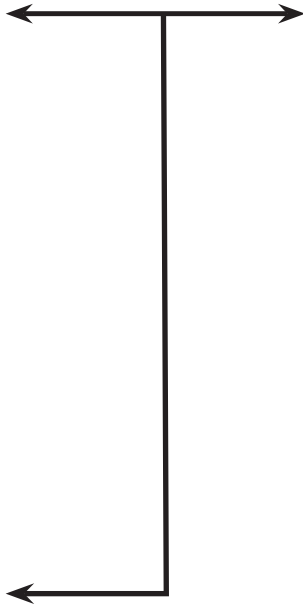
RTS6BS12N3S03



RTS6BS12N3PHEC03



RTS6BS12N3SHEC03



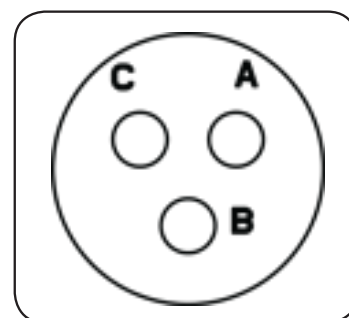
SEE TABLE ON NEXT PAGE FOR PART DETAILS

CONTACTS SOLD SEPARATELY SEE PAGE 32

Shell Size: 12 Number of Contacts: 3 Contact Size: 16
Sealing: IP67 / IP69k Salt Spray: 500h

eco | mate® Aquarius Standard Products

- Suitable For Indoor and Outdoor Applications
- EMI/RMI Shielding Capability with Appropriate Backshell
- Operating Temperature: -40°C to +125°C
- 500 Mating Cycles
- Contacts and Cord Grips Ordered Separately
- UL ECBT2 Certified*



Insert Arrangement
Pin (Male) Faceview

Connector Part Numbers -Receptacles

PART NO#	Description	Temperature Range	Figure Drawing
RTS712N3P03	Receptacle, jam nut, 3 positions, size 12, pin contact , silicone rubber seal	-40 to 125°C	1
RTS712N3PHEC03	Receptacle, jam nut, 3 positions, size 12, pin contact , silicone rubber seal, endcap	-40 to 125°C	3
RTS712N3S03	Receptacle, jam nut, 3 positions, size 12, socket contact , silicone rubber seal	-40 to 125°C	2
RTS012N3P03	Receptacle, square flange, 3 positions, size 12, pin contact, silicone rubber seal	-40 to 125°C	4
RTS012N3PHEC03	Receptacle, square flange, 3 positions, size 12, pin contact, silicone rubber seal, endcap	-40 to 125°C	6
RTS012N3S03	Receptacle, square flange, 3 positions, size 12, socket contact, silicone rubber seal	-40 to 125°C	5
RTS012N3SHEC03	Receptacle, square flange, 3 positions, size 12, socket contact, silicone rubber seal, endcap	-40 to 125°C	7

Connector Part Numbers -Plugs

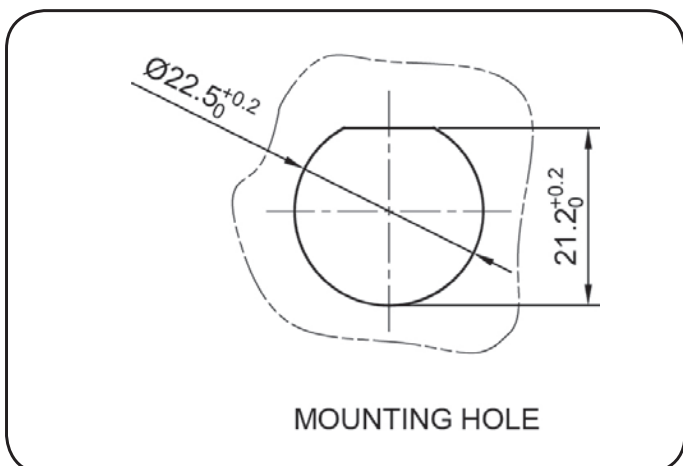
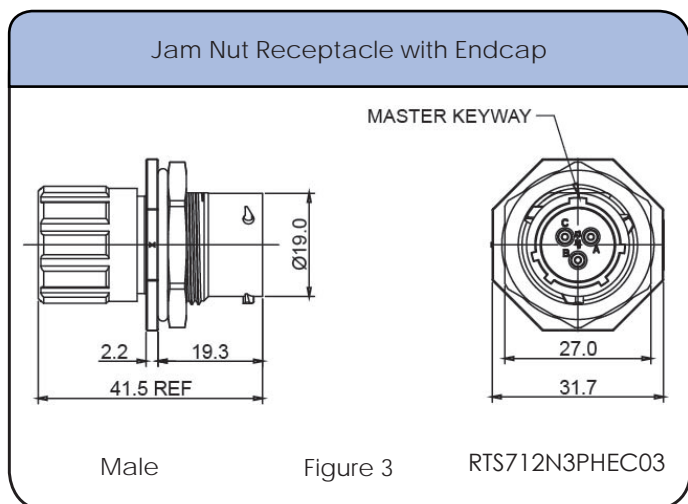
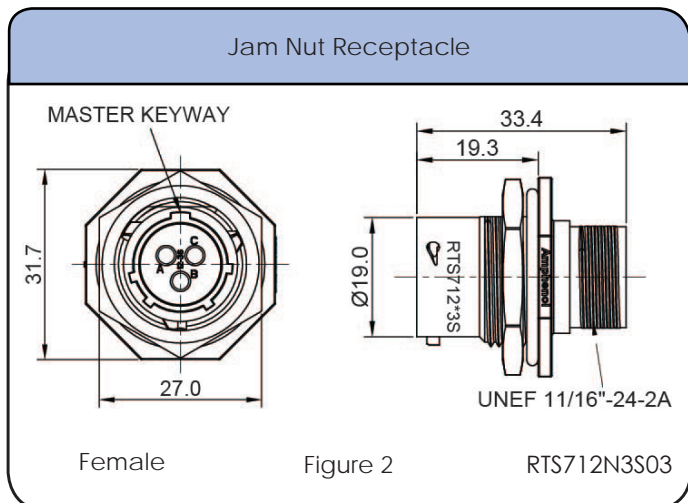
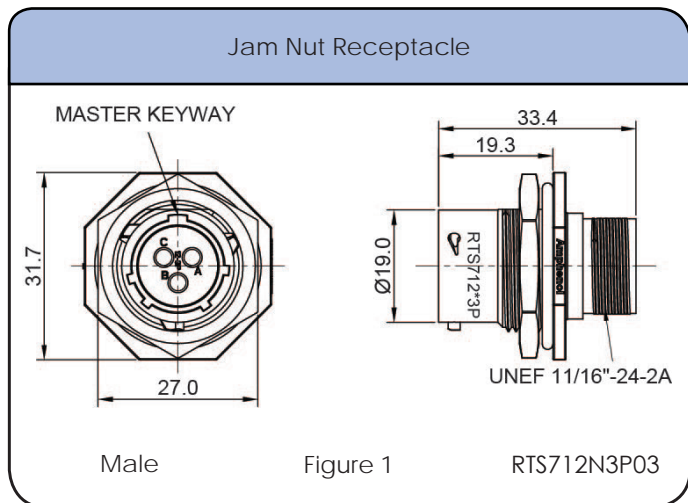
PART NO#	Description	Temperature Range	Figure Drawing
RTS6BS12N3P03	Straight plug with cord grip, 3 positions, size 12, pin contact , silicone rubber seal	-40 to 125°C	8
RTS6BS12N3PHEC03	Straight plug with end cap, 3 positions, size 12, pin contact , silicone rubber seal	-40 to 125°C	10
RTS6BS12N3S03	Straight plug with cord grip, 3 positions, size 12, socket contact , silicone rubber seal	-40 to 125°C	9
RTS6BS12N3SHEC03	Straight plug with end cap, 3 positions, size 12, socket contact , silicone rubber seal	-40 to 125°C	11

Contacts supplied separately see page 32

Shell Size: 12 Number of Contacts: 3
 Sealing: IP67 / IP69k Salt Spray: 500h

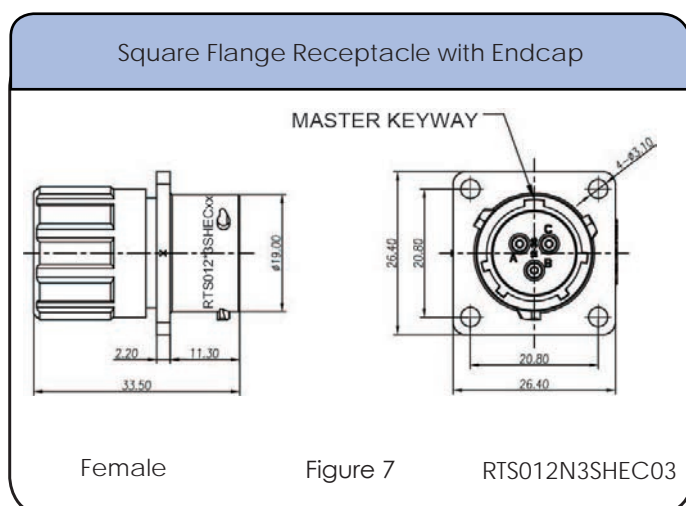
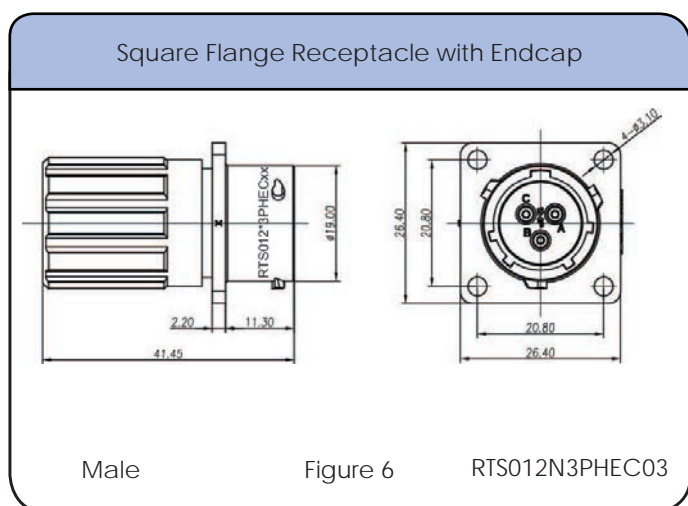
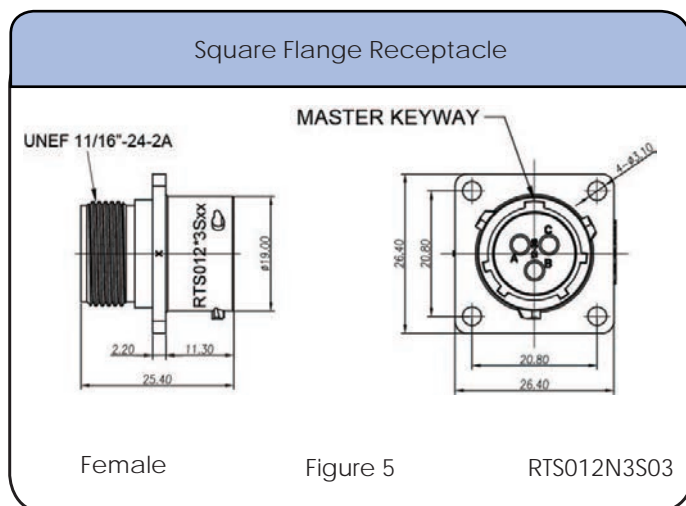
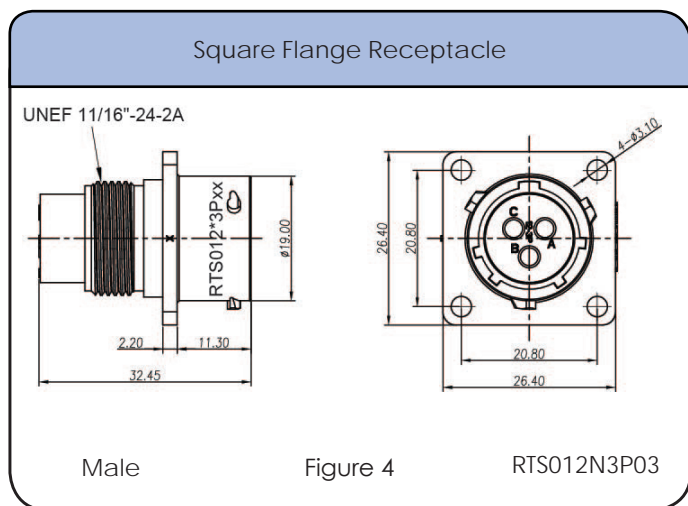
Contact Size: 16

Dimensions Jam Nut Receptacle



Shell Size: 12 Number of Contacts: 3 Contact Size: 16
Sealing: IP67 / IP69k Salt Spray: 500h

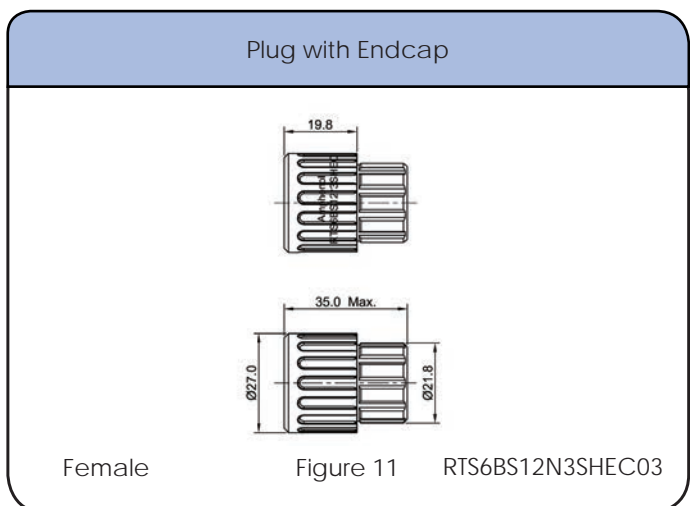
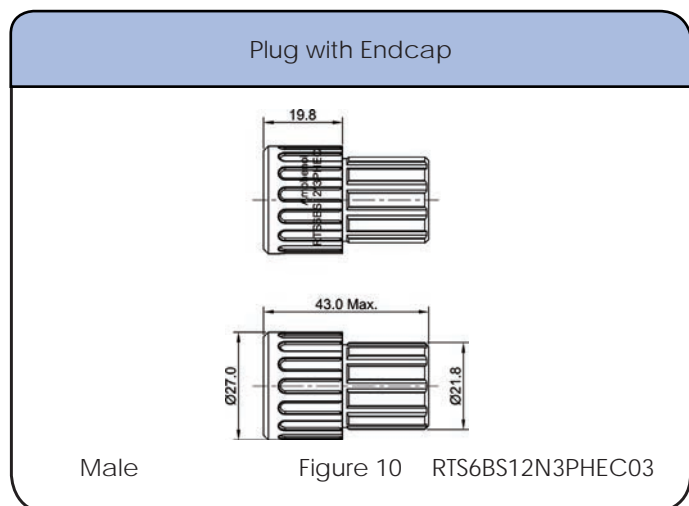
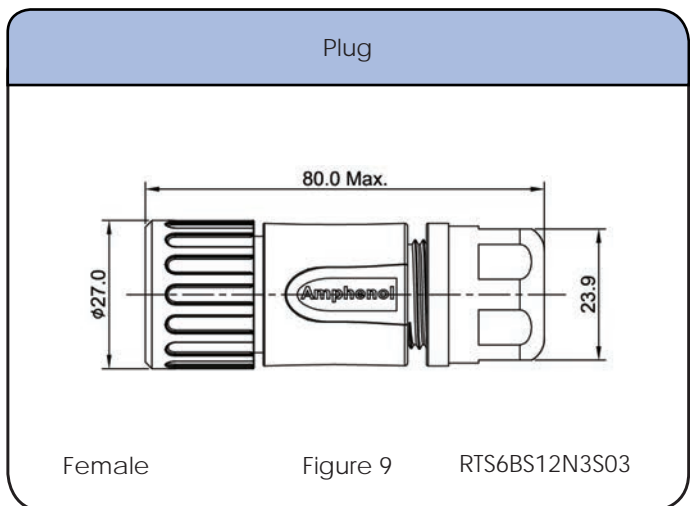
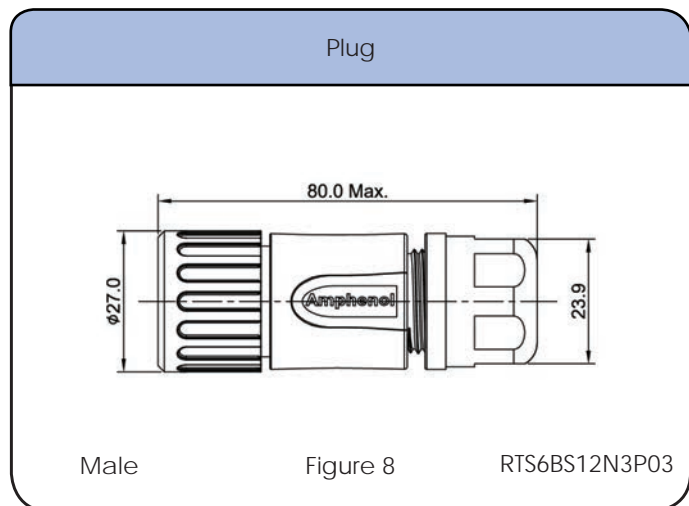
Dimensions Square Flange Receptacle



Shell Size: 12 Number of Contacts: 3
 Sealing: IP67 / IP69k Salt Spray: 500h

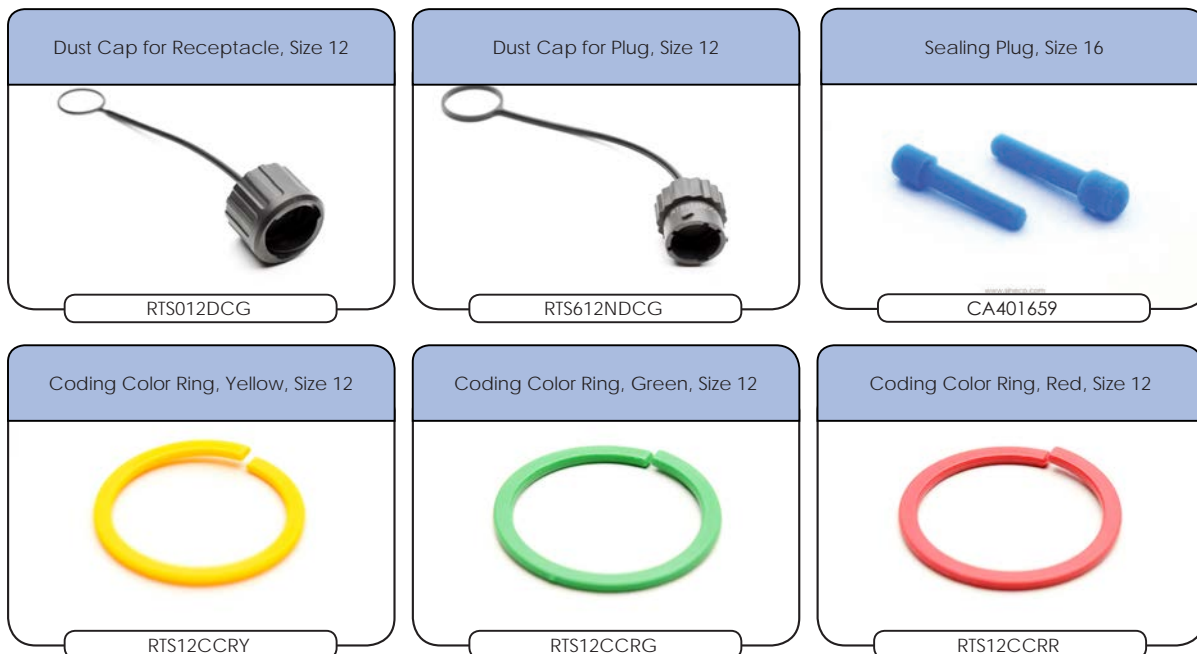
Contact Size: 16

Dimensions Plug



Shell Size: 12 Number of Contacts: 3 Contact Size: 16
Sealing: IP67 / IP69k Salt Spray: 500h

Accessories



Shell Size: 12 Number of Contacts: 3 Contact Size: 16
 Sealing: IP67 / IP69k Salt Spray: 500h

Contacts Machined



Crimp Contacts, Machined

Part Number		AWG	Wire Range (mm ²)	Plating
Male	Female			
MP14M23F	MS14M23F	14	2.0-2.5	Gold Flash
MP14M23G5	MS14M23G5	14	2.0-2.5	Gold 5μ"
MP14M23G10	MS14M23G10	14	2.0-2.5	Gold 10μ"
MP14M23G15	MS14M23G15	14	2.0-2.5	Gold 15μ"
MP14M23G30	MS14M23G30	14	2.0-2.5	Gold 30μ"
MP16M23F	MS16M23F	18-16	.75-1.5	Gold Flash
MP16M23G5	MS16M23G5	18-16	.75-1.5	Gold 5μ"
MP16M23G10	MS16M23G10	18-16	.75-1.5	Gold 10μ"
MP16M23G15	MS16M23G15	18-16	.75-1.5	Gold 15μ"
MP16M23G30	MS16M23G30	18-16	.75-1.5	Gold 30μ"
MP20M23F	MS20M23F	22-20	.34-.50	Gold Flash
MP20M23G5	MS20M23G5	22-20	.34-.50	Gold 5μ"
MP20M23G10	MS20M23G10	22-20	.34-.50	Gold 10μ"
MP20M23G15	MS20M23G15	22-20	.34-.50	Gold 15μ"
MP20M23G30	MS20M23G30	22-20	.34-.50	Gold 30μ"
MP24M23F	MS24M23F	26-24	.14-.25	Gold Flash
MP24M23G5	MS24M23G5	26-24	.14-.25	Gold 5μ"
MP24M23G10	MS24M23G10	26-24	.14-.25	Gold 10μ"
MP24M23G15	MS24M23G15	26-24	.14-.25	Gold 15μ"
MP24M23G30	MS24M23G30	26-24	.14-.25	Gold 30μ"

Tools



Shell Size: 12 Number of Contacts: 3 Contact Size: 16
Sealing: IP67 / IP69k Salt Spray: 500h

Contacts Stamped & Formed



Stamped & Formed Contacts

Crimp Contacts, Stamped & Formed

Part Number		AWG	Wire Range (mm ²)	Plating
Male	Female			
SP14M1F	SS14M1F	14	2.0-2.5	Gold Flash
SP14M1G5	SS14M1G5	14	2.0-2.5	Gold 5μ"
SP14M1G10	SS14M1G10	14	2.0-2.5	Gold 10μ"
SP14M1G15	SS14M1G15	14	2.0-2.5	Gold 15μ"
SP14M1G30	SS14M1G30	14	2.0-2.5	Gold 30μ"
SP16M1F	SS16M1F	18-16	.75-1.5	Gold Flash
SP16M1G5	SS16M1G5	18-16	.75-1.5	Gold 5μ"
SP16M1G10	SS16M1G10	18-16	.75-1.5	Gold 10μ"
SP16M1G15	SS16M1G15	18-16	.75-1.5	Gold 15μ"
SP16M1G30	SS16M1G30	18-16	.75-1.5	Gold 30μ"
SP20M1F	SS20M1F	22-20	.34-.50	Gold Flash
SP20M1G5	SS20M1G5	22-20	.34-.50	Gold 5μ"
SP20M1G10	SS20M1G10	22-20	.34-.50	Gold 10μ"
SP20M1G15	SS20M1G15	22-20	.34-.50	Gold 15μ"
SP20M1G30	SS20M1G30	22-20	.34-.50	Gold 30μ"
SP24M1F	SS24M1F	26-24	.14-.25	Gold Flash
SP24M1G5	SS24M1G5	26-24	.14-.25	Gold 5μ"
SP24M1G10	SS24M1G10	26-24	.14-.25	Gold 10μ"
SP24M1G15	SS24M1G15	26-24	.14-.25	Gold 15μ"
SP24M1G30	SS24M1G30	26-24	.14-.25	Gold 30μ"

Tools

Contact Extraction Tool, #16 (Ø 1.6) Contact



QXRT16

Hand Tool, Stamped & Formed Contact, Size 16 20-14AWG



MFX-3954

Crimp Die for Stamped & Formed Contact



MFX-3957

STEP 1
Choose Receptacle Style

STEP 2
Choose Plug Style

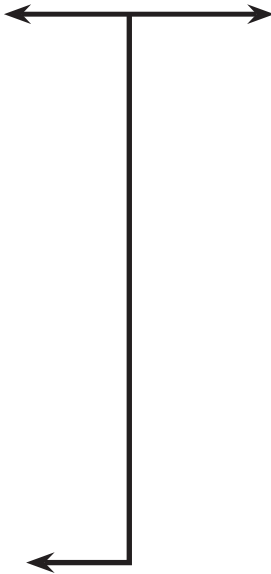
Jam Nut Receptacles



Square Flange Receptacles



Plugs



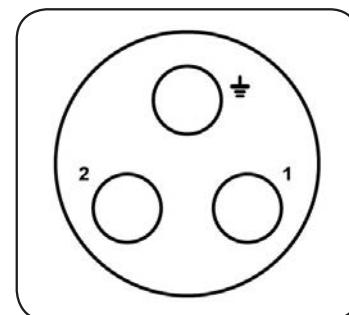
SEE TABLE ON NEXT PAGE FOR PART DETAILS

CONTACTS SOLD SEPARATELY SEE PAGE 39

Shell Size: 14 Number of Contacts: 3 Contact Size: 3.6mm
Sealing: IP67 / IP69k Salt Spray: 500h

eco | mate® Aquarius Standard Products

- Suitable For Indoor and Outdoor Applications
- EMI/RMI Shielding Capability with Appropriate Backshell
- Operating Temperature: -40°C to +125°C
- 500 Mating Cycles
- Contacts and Cord Grips Ordered Separately
- UL ECBT2 Certified*



Insert Arrangement
Pin (Male) Faceview

Connector Part Numbers - Receptacles

PART NO#	Description	Temperature Range	Figure Drawing
RTS714N3P03	Receptacle, jam nut, 3 positions, size 14, pin contact, silicone rubber seal	-40 to 125°C	1
RTS714N3S03	Receptacle, jam nut, 3 positions, size 14, socket contact, silicone rubber seal	-40 to 125°C	2
RTS014N3P03	Receptacle, square flange, 3 positions, size 14, pin contact, silicone rubber seal	-40 to 125°C	3
RTS014N3S03	Receptacle, square flange, 3 positions, size 14, socket contact, silicone rubber seal	-40 to 125°C	4

Connector Part Numbers - Plugs

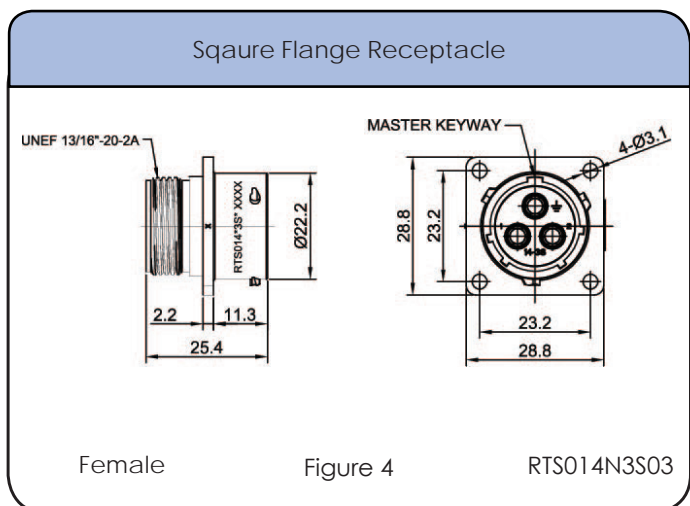
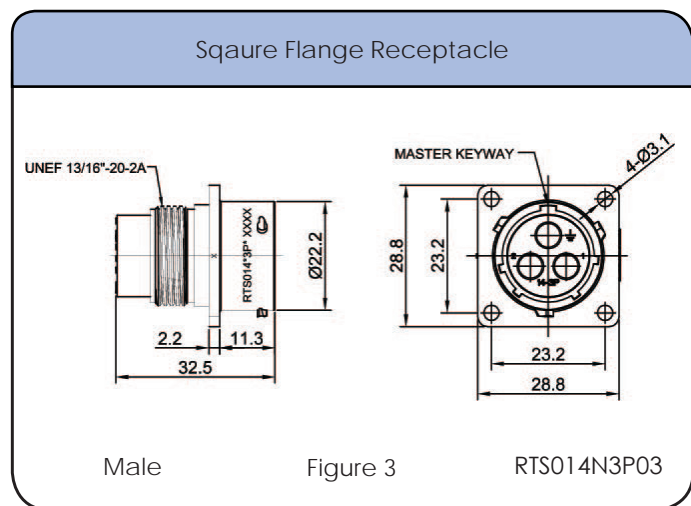
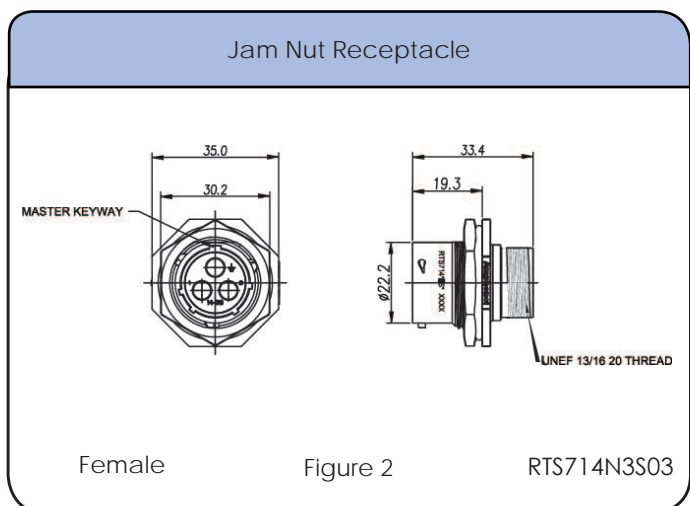
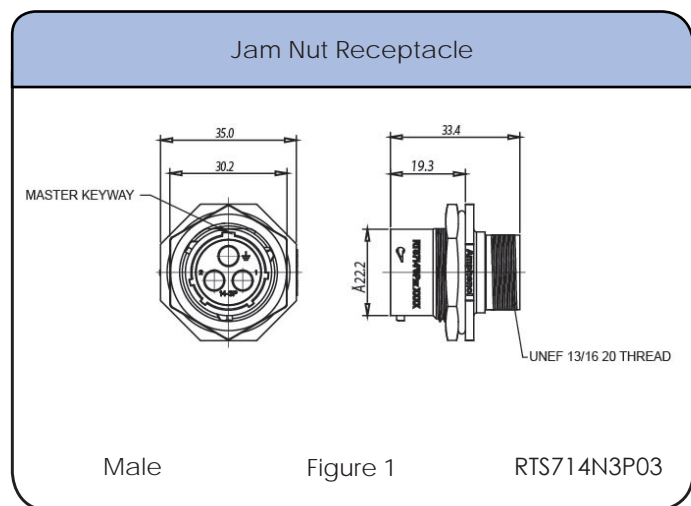
PART NO#	Description	Temperature Range	Figure Drawing
RTS6BS14N3P03	Straight plug with cord grip, 3 positions, size 14, pin contact, silicone rubber seal	-40 to 125°C	5
RTS6BS14N3S03	Straight plug with cord grip, 3 positions, size 14, socket contact, silicone rubber seal	-40 to 125°C	6

Contacts supplied separately see page 39

Shell Size: 14 Number of Contacts: 3 Sealing: IP67 / IP69k Salt Spray: 500h

Contact Size: 8

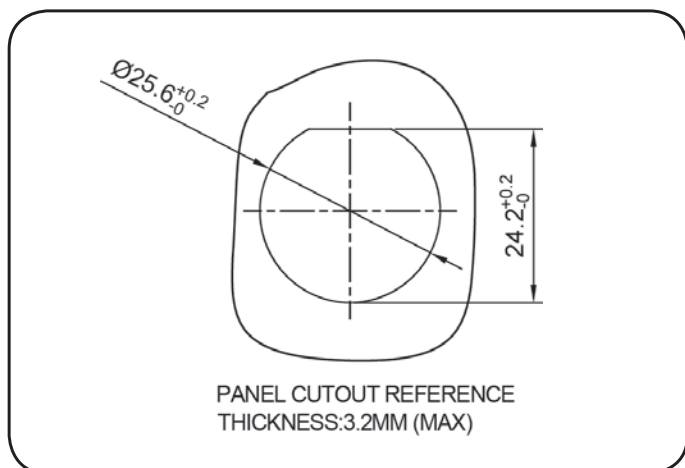
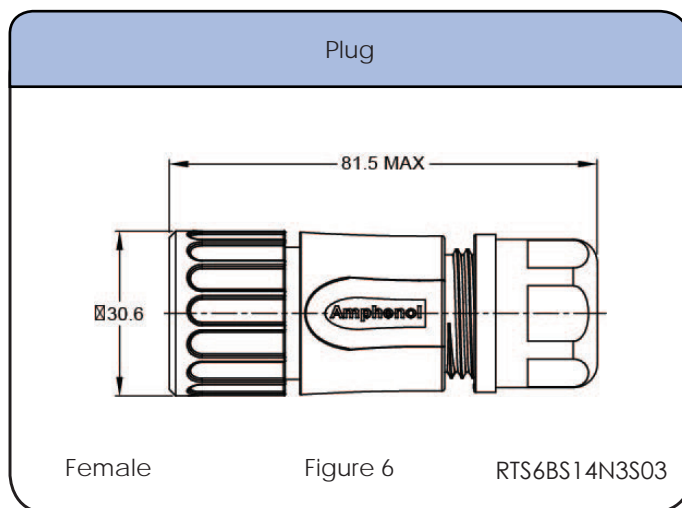
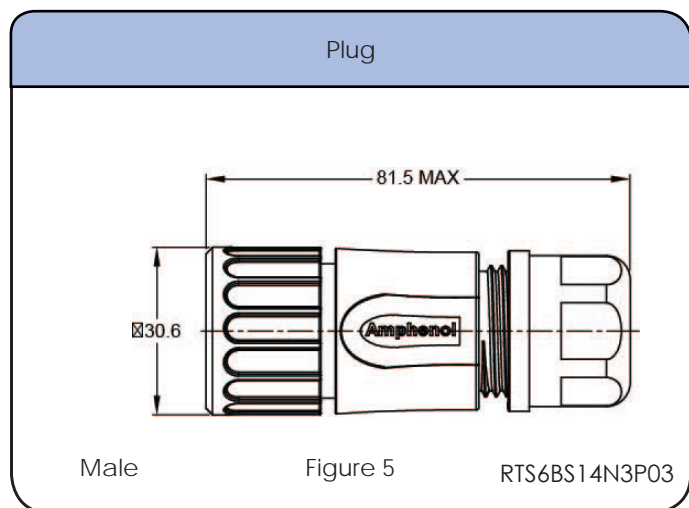
Dimensions Jam Nut and Square Flange Receptacles



Shell Size: 14 Number of Contacts: 3
Sealing: IP67 / IP69k Salt Spray: 500h

Contact Size: 3.6mm

Dimensions Plugs



Shell Size: 14 Number of Contacts: 3 Contact Size: 8
Sealing: IP67 / IP69k Salt Spray: 500h

Accessories



Shell Size: 14 Number of Contacts: 3 Contact Size: 3.6mm
Sealing: IP67 / IP69k Salt Spray: 500h

Contacts

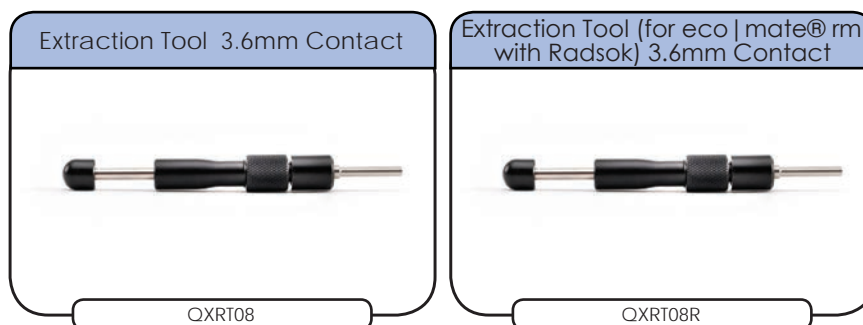


Crimp Contacts, Machined

Part Number		AWG	Wire Range (mm ²)	Plating
Male	Female			
MP10A23S	MS10A23S	8	3.0-6.0	Silver Plated

no stamped & formed contacts are available for this group

Tools



STEP 1
Choose Receptacle Style

STEP 2
Choose Plug Style

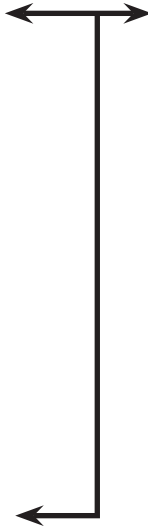
Jam Nut Receptacles



Jam Nut Receptacles



Plugs



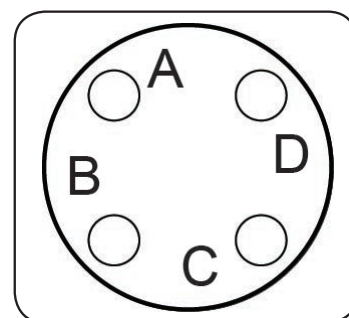
SEE TABLE ON NEXT PAGE FOR PART DETAILS

CONTACTS SOLD SEPARATELY SEE PAGE 44

Shell Size: 8 Number of Contacts: 4 Contact Size: 20
Sealing: IP67 / IP69k Salt Spray: 500h

eco | mate® Aquarius Standard Products

- Suitable For Indoor and Outdoor Applications
- EMI/RMI Shielding Capability with Appropriate Backshell
- Operating Temperature: -40°C to +105°C
- 500 Mating Cycles
- Contacts and Cord Grips Ordered Separately
- UL ECBT2 Certified*



Insert Arrangement
Pin (Male) Faceview

Connector Part Numbers - Receptacles

PART NO#	Description	Temperature Range	Figure Drawing
RTS78N4P	Receptacle, jam nut, 4 positions, size 8, pin contact, NBR seal	-40 to 105°C	1
RTS78N4S	Receptacle, jam nut, 4 positions, size 8, socket contact, NBR seal	-40 to 105°C	2
RTS08N4P	Receptacle, square flange, 3 positions, size 8, pin contact , NBR Seal	-40C to 105C	3
RTS08N4S	Receptacle, square flange, 3 positions, size 8, socket contact , NBR Seal	-40C to 105C	4

Connector Part Numbers - Plugs

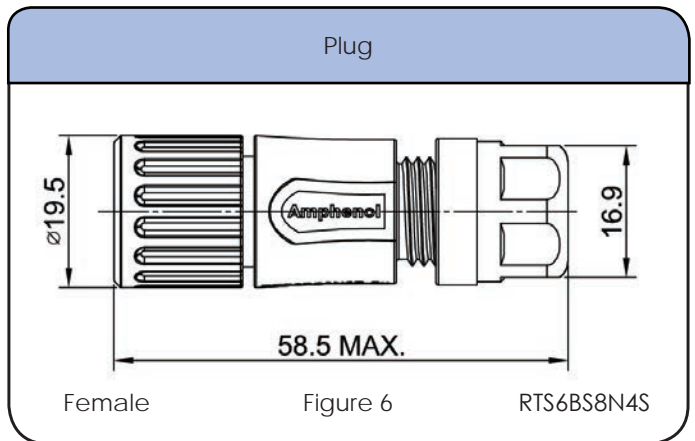
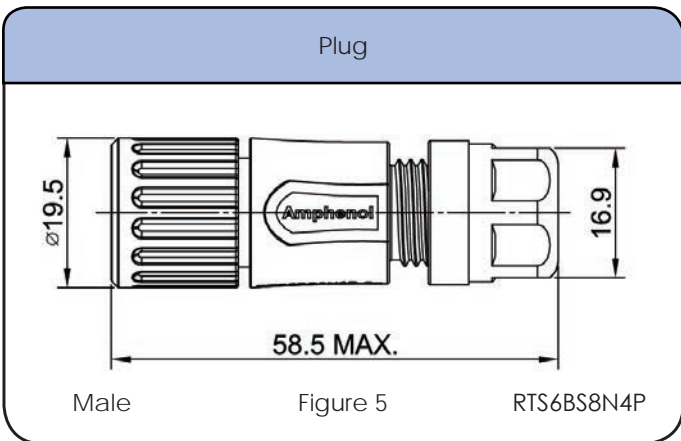
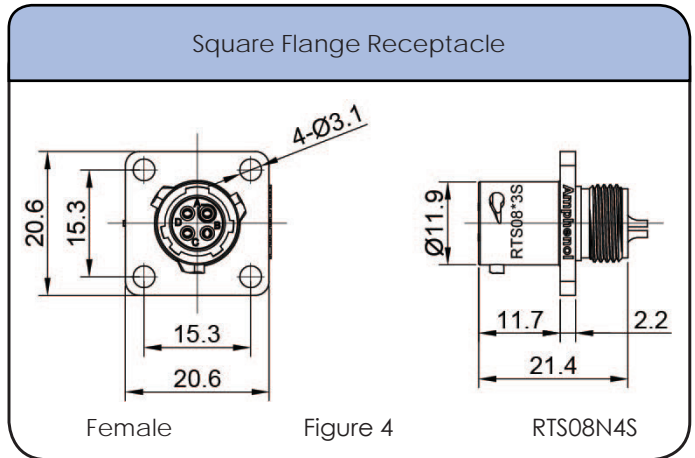
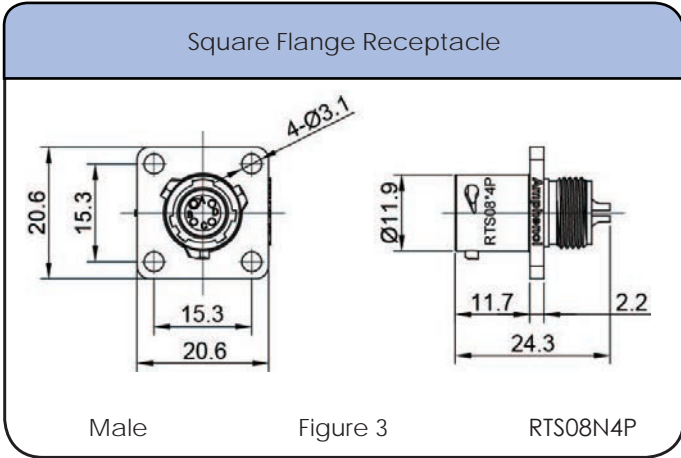
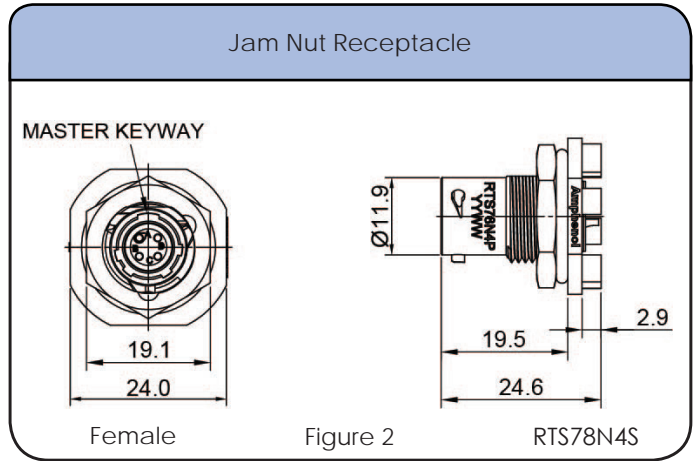
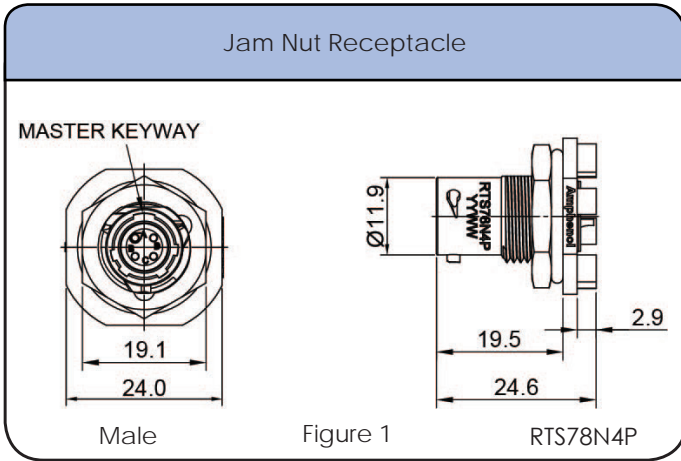
PART NO#	Description	Temperature Range	Figure Drawing
RTS6BS8N4P	Straight plug with cord grip, 4 positions, size 8, pin contact, NBR seal	-40 to 105°C	5
RTS6BS8N4S	Straight plug with cord grip, 4 positions, size 8, socket contact, NBR seal	-40 to 105°C	6

Contacts supplied separately see page 44

Shell Size: 8 Number of Contacts: 4
 Sealing: IP67 / IP69k Salt Spray: 500h

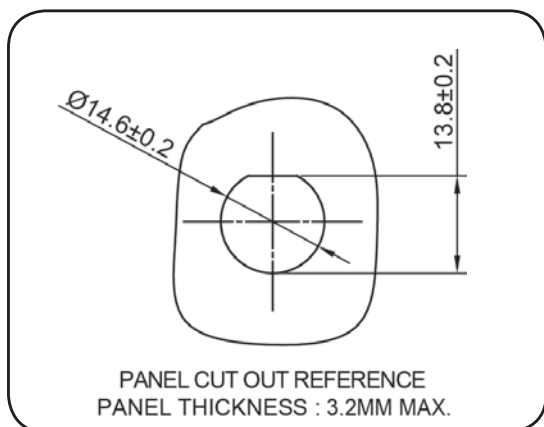
Contact Size: 20

Dimensions Receptacles/ Plugs



Shell Size: 8 Number of Contacts: 4 Contact Size: 20
Sealing: IP67 / IP69k Salt Spray: 500h

Accessories



Shell Size: 8 Number of Contacts: 4 Contact Size: 20
 Sealing: IP67 / IP69k Salt Spray: 500h

Contacts Machined



Crimp Contacts, Machined

Part Number		AWG	Wire Ranget (mm ²)	Plating
Male	Female			
MP20W23F	MS20W23F	22-20	.34-.50	Gold Flash
MP20W23G5	MS20W23G5	22-20	.34-.50	Gold 5μ"
MP20W23G10	MS20W23G10	22-20	.34-.50	Gold 10μ"
MP20W23G15	MS20W23G15	22-20	.34-.50	Gold 15μ"
MP20W23G30	MS20W23G30	22-20	.34-.50	Gold 30μ"
MP24W23F	MS24W23F	26-24	.13-.25	Gold Flash
MP24W23G5	MS24W23G5	26-24	.13-.25	Gold 5μ"
MP24W23G10	MS24W23G10	26-24	.13-.25	Gold 10μ"
MP24W23G15	MS24W23G15	26-24	.13-.25	Gold 15μ"
MP24W23G30	MS24W23G30	26-24	.13-.25	Gold 30μ"
MP28W23F	MS28W23F	30-28	.05-.08	Gold Flash
MP28W23G5	MS28W23G5	30-28	.05-.08	Gold 5μ"
MP28W23G10	MS28W23G10	30-28	.05-.08	Gold 10μ"
MP28W23G15	MS28W23G15	30-28	.05-.08	Gold 15μ"
MP28W23G30	MS28W23G30	30-28	.05-.08	Gold 30μ"

Tools



Shell Size: 8 Number of Contacts: 4 Contact Size: 20
Sealing: IP67 / IP69k Salt Spray: 500h

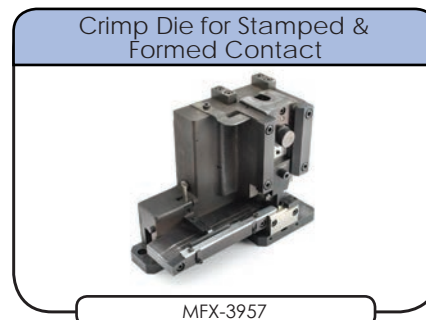
Contacts Stamped & Formed



Crimp Contacts, Stamped & Formed

Part Number		AWG	Wire Range (mm ²)	Plating
Male	Female			
SP20W1F	SS20W1F	22-20	.34-.50	Gold Flash
SP20W1G5	SS20W1G5	22-20	.34-.50	Gold 5μ"
SP20W1G10	SS20W1G10	22-20	.34-.50	Gold 10μ"
SP20W1G15	SS20W1G15	22-20	.34-.50	Gold 15μ"
SP20W1G30	SS20W1G30	22-20	.34-.50	Gold 30μ"
SP24W1F	SS24W1F	26-24	.14-.25	Gold Flash
SP24W1G5	SS24W1G5	26-24	.14-.25	Gold 5μ"
SP24W1G10	SS24W1G10	26-24	.14-.25	Gold 10μ"
SP24W1G15	SS24W1G15	26-24	.14-.25	Gold 15μ"
SP24W1G30	SS24W1G30	26-24	.14-.25	Gold 30μ"
SP28W1F	SS28W1F	30-28	.05-.08	Gold Flash
SP28W1G5	SS28W1G5	30-28	.05-.08	Gold 5μ"
SP28W1G10	SS28W1G10	30-28	.05-.08	Gold 10μ"
SP28W1G15	SS28W1G15	30-28	.05-.08	Gold 15μ"
SP28W1G30	SS28W1G30	30-28	.05-.08	Gold 30μ"

Tools



STEP 1
Choose Receptacle Style

STEP 2
Choose Plug Style

Jam Nut Receptacles



RTS710N4P03



RTS710N4S03



RTS710N4PHEC03

Square Flange Receptacles



RTS010N4P03



RTS010N4S03



RTS010N4PHEC03



RTS010N4SHEC03

Plug



RTS6BS10N4P03



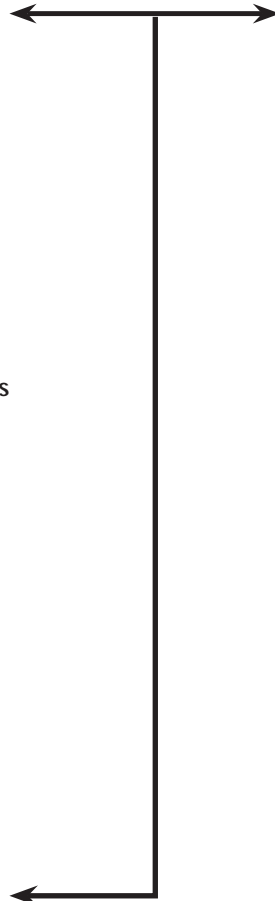
RTS6BS10N4S03



RTS6BS10N4SHEC03



RTS6BS10N4PHEC03



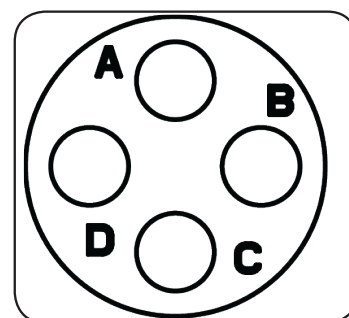
SEE TABLE ON NEXT PAGE FOR PART DETAILS

CONTACTS SOLD SEPARATELY SEE PAGE 52

Shell Size: 10 Number of Contacts: 4 Contact Size: 16
Sealing: IP67 / IP69k Salt Spray: 500h

eco | mate® Aquarius Standard Products

- Suitable For Indoor and Outdoor Applications
- EMI/RMI Shielding Capability with Appropriate Backshell
- Operating Temperature: -40°C to +125°C
- 500 Mating Cycles
- Contacts and Cord Grips Ordered Separately
- UL ECBT2 Certified*



Insert Arrangement
Pin (Male) Faceview

Connector Part Numbers - Receptacles

PART NO#	Description	Temperature Range	Figure Drawing
RTS710N4P03	Receptacle, jam nut, 4 positions, size 10, pin contact , silicone rubber seal	-40C to 125C	1
RTS710N4S03	Receptacle, jam nut, 4 positions, size 10, socket contact , silicone rubber seal	-40C to 125C	2
RTS710N4PHEC03	Receptacle, jam nut, 4 positions, size 10, pin contact , silicone rubber seal, endcap	-40C to 125C	3
RTS010N4P03	Receptacle, square flange, 4 positions, size 10, pin contact, silicone rubber seal	-40C to 125C	4
RTS010N4PHEC03	Receptacle, square flange, 4 positions, size 10, pin contact, silicone rubber seal, endcap	-40C to 125C	6
RTS010N4S03	Receptacle, square flange, 4 positions, size 10, socket contact, silicone rubber seal	-40C to 125C	5
RTS010N4SHEC03	Receptacle, square flange, 4 positions, size 10, socket contact, silicone rubber seal, endcap	-40C to 125C	7

Connector Part Numbers - Plugs

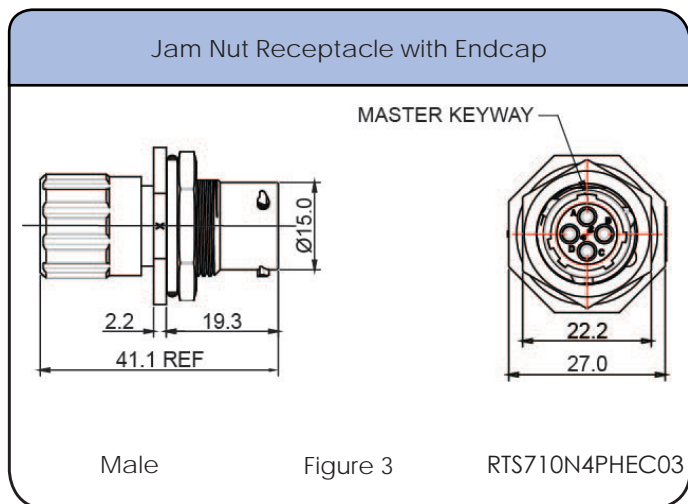
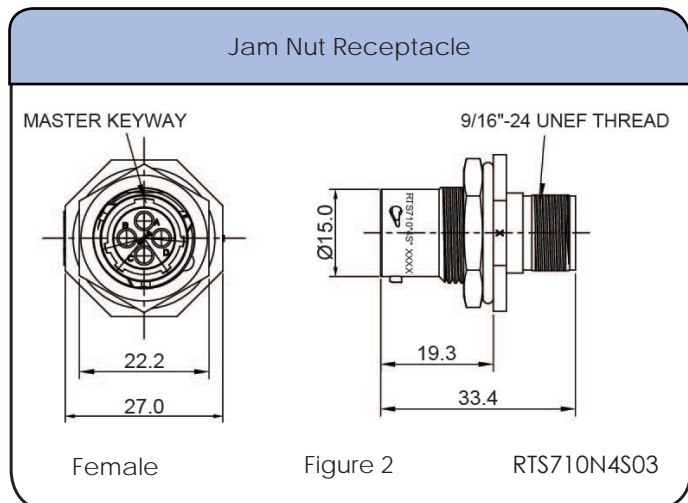
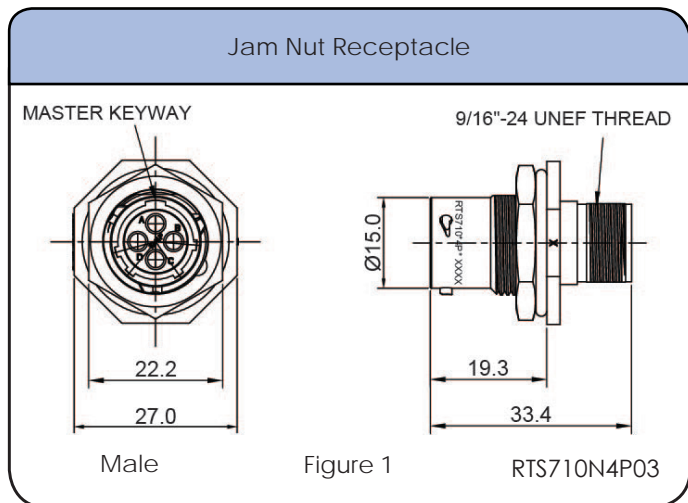
PART NO#	Description	Temperature Range	Figure Drawing
RTS6BS10N4P03	Straight plug with cord grip, 4 positions, size 10, pin contact , silicone rubber seal	-40C to 125C	8
RTS6BS10N4PHEC03	Straight plug with endcap, 4 positions, size 10, pin contact , silicone rubber seal	-40C to 125C	10
RTS6BS10N4S03	Straight plug with cord grip, 4 positions, size 10, socket contact , silicone rubber seal	-40C to 125C	9
RTS6BS10N4SHEC03	Straight plug with endcap, 4 positions, size 10, socket contact , silicone rubber seal	-40C to 125C	11

Contacts supplied separately see page 52

Shell Size: 10 Number of Contacts: 4 Sealing: IP67 / IP69k Salt Spray: 500h

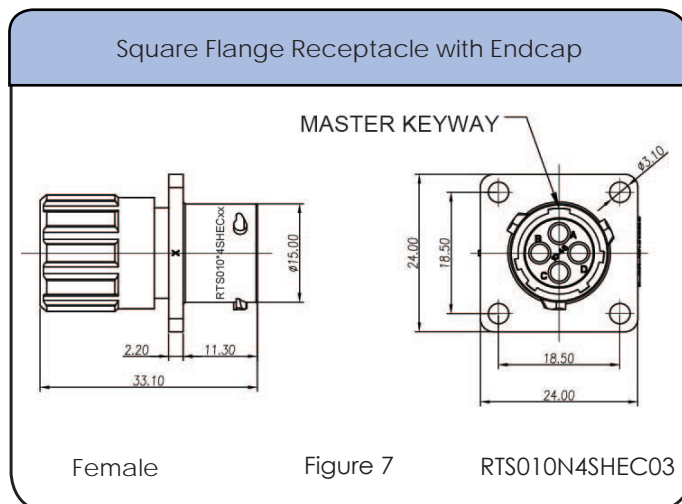
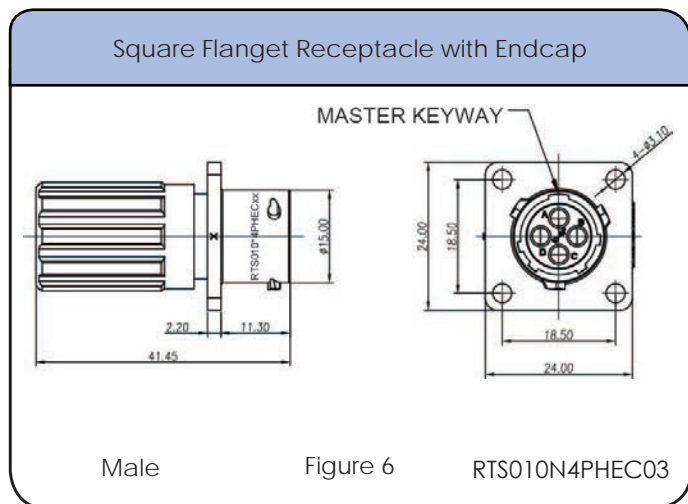
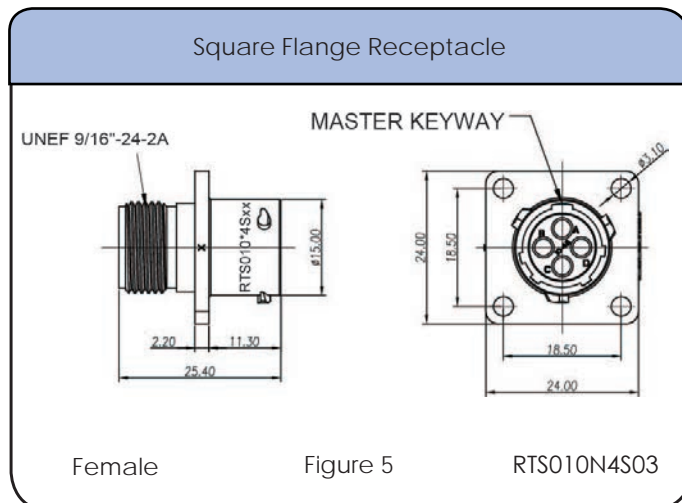
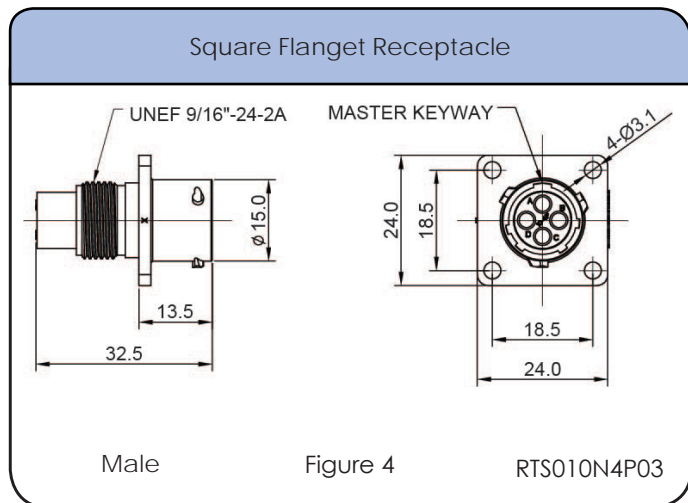
Contact Size: 16

Dimensions Jam Nut Receptacle



Shell Size: 10 Number of Contacts: 4 Contact Size: 16
Sealing: IP67 / IP69k Salt Spray: 500h

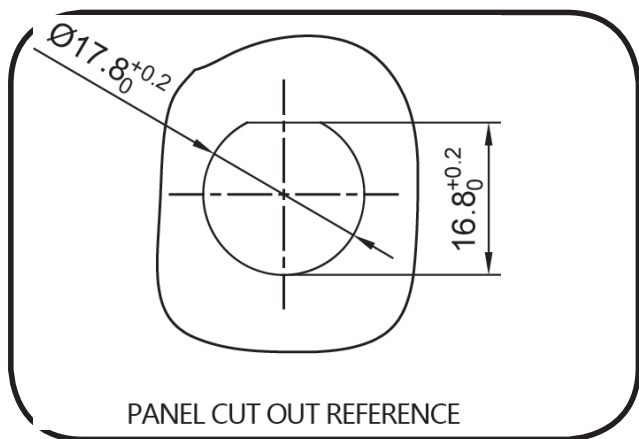
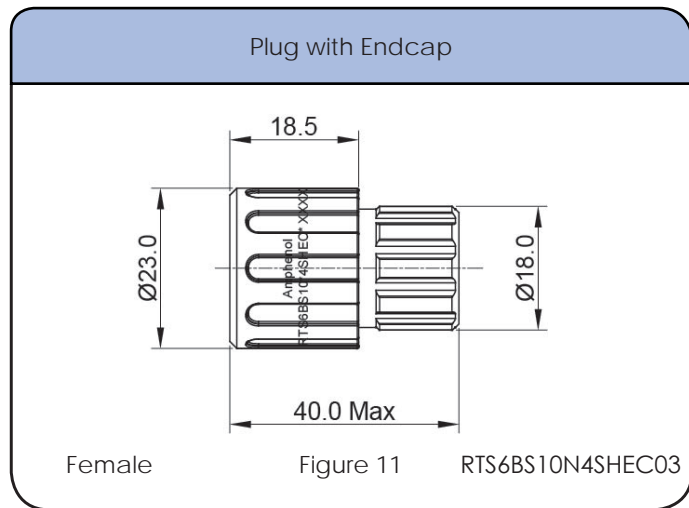
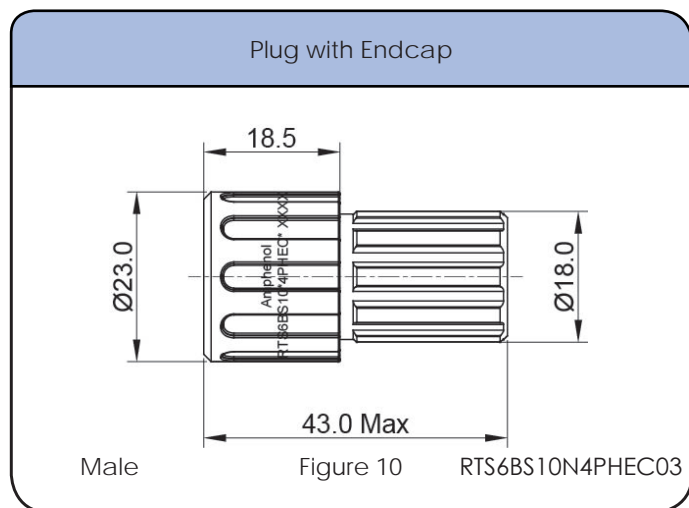
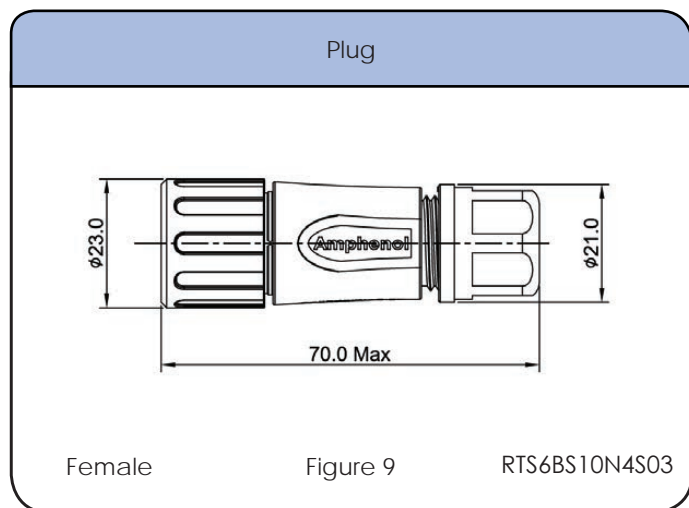
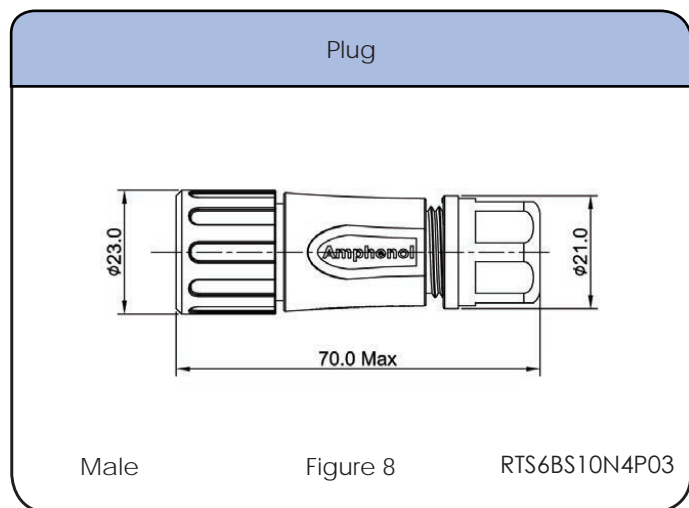
Dimensions Square Flange Receptacle



Shell Size: 10 Number of Contacts: 4 Sealing: IP67 / IP69k Salt Spray: 500h

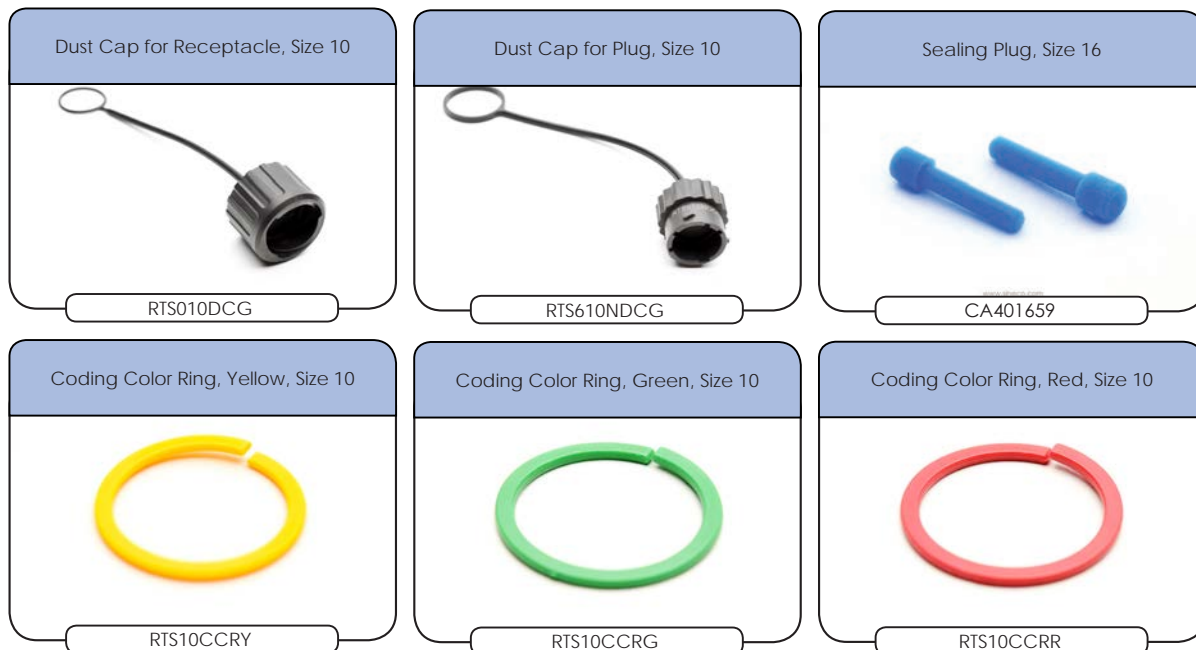
Contact Size: 16

Dimensions Plug



Shell Size: 10 Number of Contacts: 4 Contact Size: 16
Sealing: IP67 / IP69k Salt Spray: 500h

Accessories



Shell Size: 10 Number of Contacts: 4 Contact Size: 16
 Sealing: IP67 / IP69k Salt Spray: 500h

Contacts Machined



Crimp Contacts, Machined

Part Number		AWG	Wire Range (mm ²)	Plating
Male	Female			
MP14M23F	MS14M23F	14	2.0-2.5	Gold Flash
MP14M23G5	MS14M23G5	14	2.0-2.5	Gold 5μ"
MP14M23G10	MS14M23G10	14	2.0-2.5	Gold 10μ"
MP14M23G15	MS14M23G15	14	2.0-2.5	Gold 15μ"
MP14M23G30	MS14M23G30	14	2.0-2.5	Gold 30μ"
MP16M23F	MS16M23F	18-16	.75-1.5	Gold Flash
MP16M23G5	MS16M23G5	18-16	.75-1.5	Gold 5μ"
MP16M23G10	MS16M23G10	18-16	.75-1.5	Gold 10μ"
MP16M23G15	MS16M23G15	18-16	.75-1.5	Gold 15μ"
MP16M23G30	MS16M23G30	18-16	.75-1.5	Gold 30μ"
MP20M23F	MS20M23F	22-20	.34-.50	Gold Flash
MP20M23G5	MS20M23G5	22-20	.34-.50	Gold 5μ"
MP20M23G10	MS20M23G10	22-20	.34-.50	Gold 10μ"
MP20M23G15	MS20M23G15	22-20	.34-.50	Gold 15μ"
MP20M23G30	MS20M23G30	22-20	.34-.50	Gold 30μ"
MP24M23F	MS24M23F	26-24	.14-.25	Gold Flash
MP24M23G5	MS24M23G5	26-24	.14-.25	Gold 5μ"
MP24M23G10	MS24M23G10	26-24	.14-.25	Gold 10μ"
MP24M23G15	MS24M23G15	26-24	.14-.25	Gold 15μ"
MP24M23G30	MS24M23G30	26-24	.14-.25	Gold 30μ"

Tools



Shell Size: 10 Number of Contacts: 4 Contact Size: 16
Sealing: IP67 / IP69k Salt Spray: 500h

Contacts Stamped & Formed



Stamped & Formed Contacts

Crimp Contacts, Stamped & Formed

Part Number		AWG	Wire Range (mm ²)	Plating
Male	Female			
SP14M1F	SS14M1F	14	2.0-2.5	Gold Flash
SP14M1G5	SS14M1G5	14	2.0-2.5	Gold 5μ"
SP14M1G10	SS14M1G10	14	2.0-2.5	Gold 10μ"
SP14M1G15	SS14M1G15	14	2.0-2.5	Gold 15μ"
SP14M1G30	SS14M1G30	14	2.0-2.5	Gold 30μ"
SP16M1F	SS16M1F	18-16	.75-1.5	Gold Flash
SP16M1G5	SS16M1G5	18-16	.75-1.5	Gold 5μ"
SP16M1G10	SS16M1G10	18-16	.75-1.5	Gold 10μ"
SP16M1G15	SS16M1G15	18-16	.75-1.5	Gold 15μ"
SP16M1G30	SS16M1G30	18-16	.75-1.5	Gold 30μ"
SP20M1F	SS20M1F	22-20	.34-.50	Gold Flash
SP20M1G5	SS20M1G5	22-20	.34-.50	Gold 5μ"
SP20M1G10	SS20M1G10	22-20	.34-.50	Gold 10μ"
SP20M1G15	SS20M1G15	22-20	.34-.50	Gold 15μ"
SP20M1G30	SS20M1G30	22-20	.34-.50	Gold 30μ"
SP24M1F	SS24M1F	26-24	.14-.25	Gold Flash
SP24M1G5	SS24M1G5	26-24	.14-.25	Gold 5μ"
SP24M1G10	SS24M1G10	26-24	.14-.25	Gold 10μ"
SP24M1G15	SS24M1G15	26-24	.14-.25	Gold 15μ"
SP24M1G30	SS24M1G30	26-24	.14-.25	Gold 30μ"

Tools



Contact Extraction Tool, #16 (Ø 1.6) Contact

QXRT16



Hand Tool, Stamped & Formed Contact, Size 16 20-14AWG

MFX-3954



Crimp Die for Stamped & Formed Contact

MFX-3957

STEP 1
Choose Receptacle Style

STEP 2
Choose Plug Style

Jam Nut Receptacles



Plug



Square Flange Receptacles



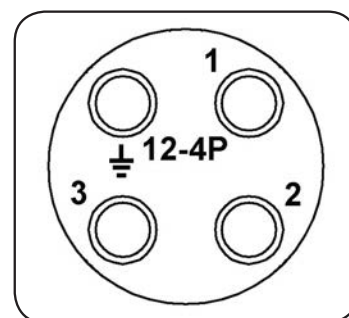
SEE TABLE ON NEXT PAGE FOR PART DETAILS

CONTACTS SOLD SEPARATELY SEE PAGE 58

Shell Size: 12 Number of Contacts: 4 Contact Size: 16
Sealing: IP67 / IP69k Salt Spray: 500h

eco | mate® Aquarius Standard Products

- Suitable For Indoor and Outdoor Applications
- EMI/RMI Shielding Capability with Appropriate Backshell
- Operating Temperature: -40°C to +125°C
- 500 Mating Cycles
- Contacts and Cord Grips Ordered Separately
- UL ECBT2 Certified*



Insert Arrangement
Pin (Male) Faceview

Connector Part Numbers - Receptacles

PART NO#	Description	Temperature Range	Figure Drawing
RTS712N4P03	Receptacle, jam nut, 4 positions, size 12, pin contact, silicone rubber seal	-40 to 125°C	1
RTS712N4S03	Receptacle, jam nut, 4 positions, size 12, socket contact, silicone rubber seal	-40 to 125°C	2
RTS012N4P03	Receptacle, square flange, 4 positions, size 12, pin contact, silicone rubber seal	-40 to 125°C	3
RTS012N4S03	Receptacle, square flange, 4 positions, size 12, socket contact, silicone rubber seal	-40 to 125°C	4

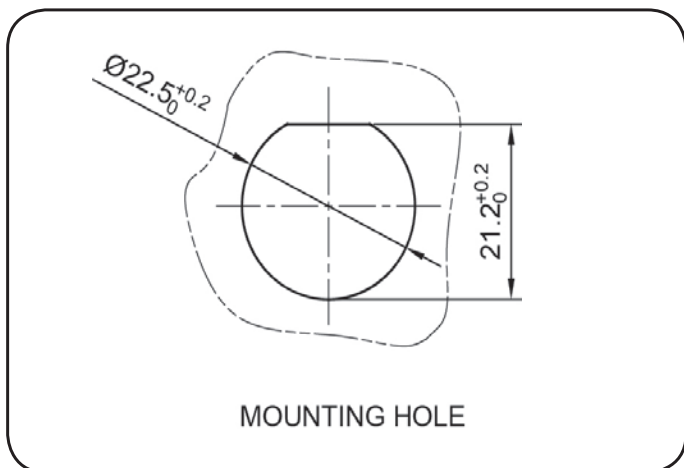
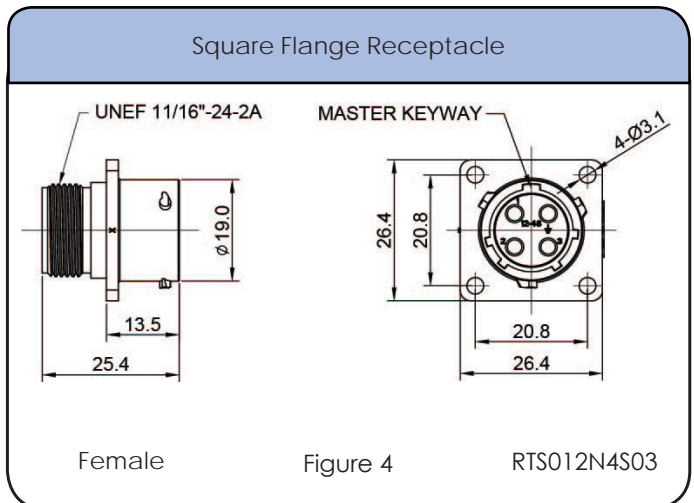
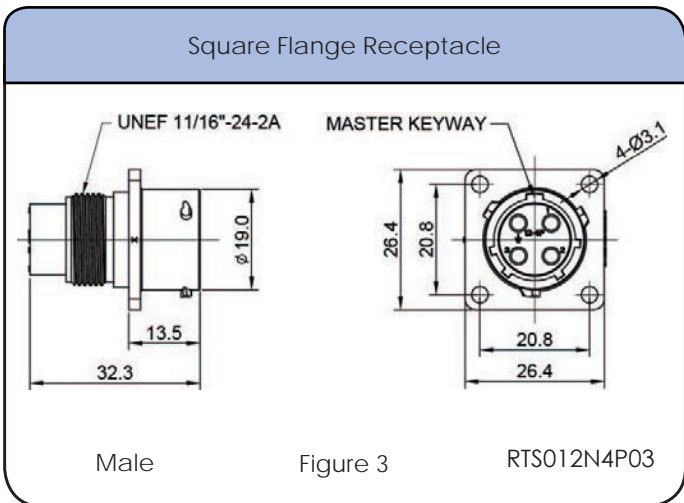
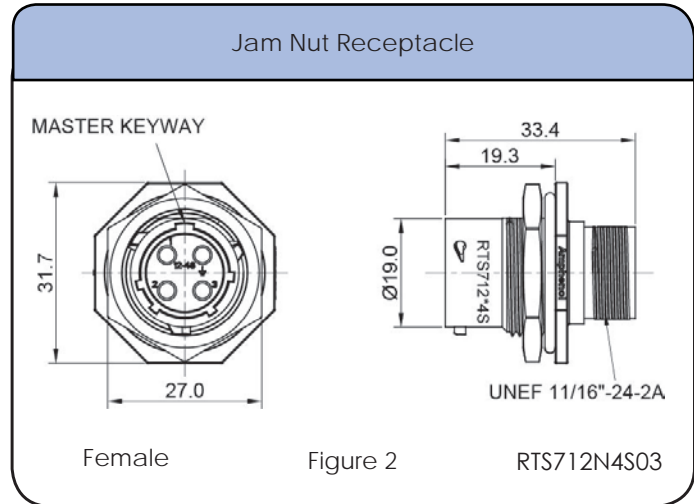
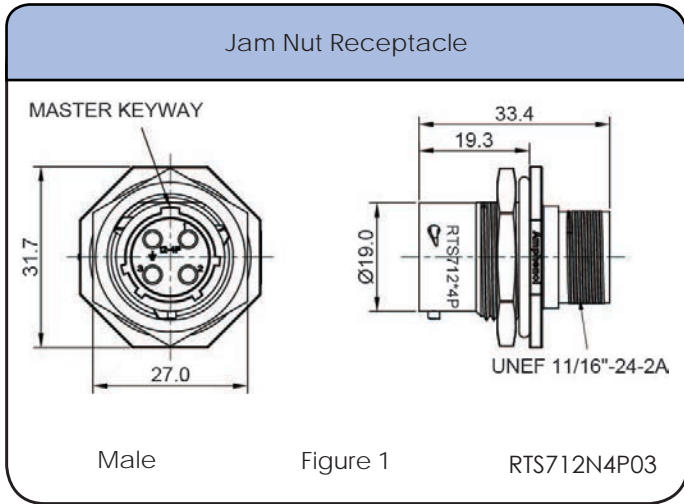
Connector Part Numbers - Plugs

PART NO#	Description	Temperature Range	Figure Drawing
RTS6BS12N4P03	Straight plug with cord grip, 4 positions, size 12, pin contact, silicone rubber seal	-40 to 125°C	5
RTS6BS12N4S03	Straight plug with cord grip, 4 positions, size 12, socket contact, silicone rubber seal	-40 to 125°C	6

Contacts supplied separately see page 58

Shell Size: 12 Number of Contacts: 4 Contact Size: 16
 Sealing: IP67 / IP69k Salt Spray: 500h

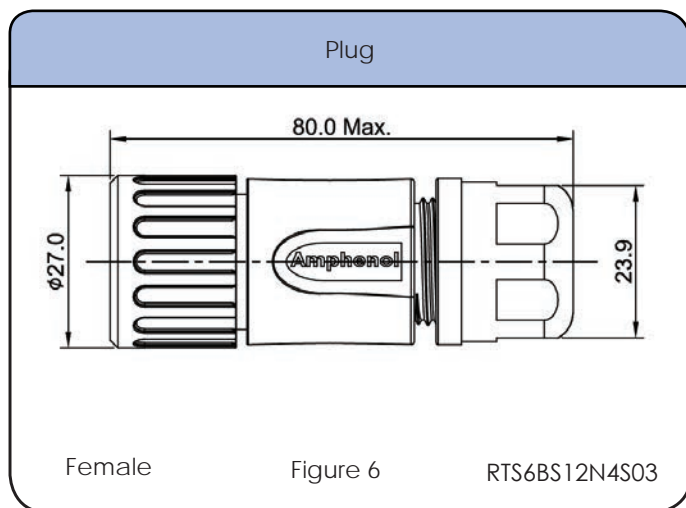
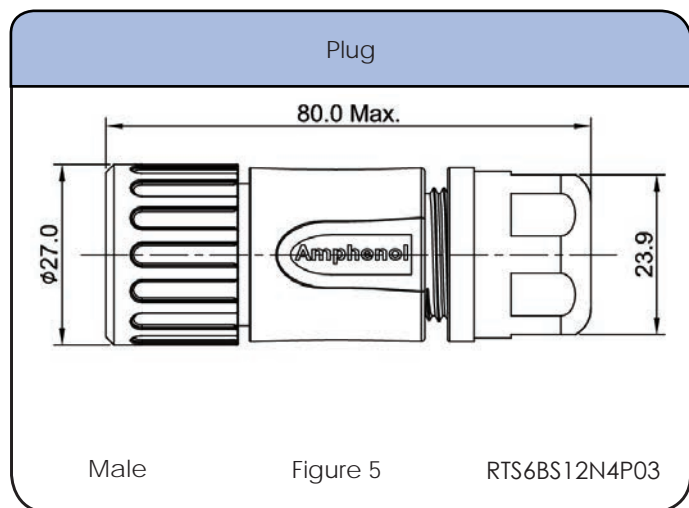
Dimensions Jam Nut/ Square Flange Receptacles



Shell Size: 12 Number of Contacts: 4
Sealing: IP67 / IP69k Salt Spray: 500h

Contact Size: 16

Dimensions Plugs



Accessories



Shell Size: 12 Number of Contacts: 4 Contact Size: 16
 Sealing: IP67 / IP69k Salt Spray: 500h

Contacts Machined



Crimp Contacts, Machined

Part Number		AWG	Wire Range (mm ²)	Plating
Male	Female			
MP14M23F	MS14M23F	14	2.0-2.5	Gold Flash
MP14M23G5	MS14M23G5	14	2.0-2.5	Gold 5μ"
MP14M23G10	MS14M23G10	14	2.0-2.5	Gold 10μ"
MP14M23G15	MS14M23G15	14	2.0-2.5	Gold 15μ"
MP14M23G30	MS14M23G30	14	2.0-2.5	Gold 30μ"
MP16M23F	MS16M23F	18-16	.75-1.5	Gold Flash
MP16M23G5	MS16M23G5	18-16	.75-1.5	Gold 5μ"
MP16M23G10	MS16M23G10	18-16	.75-1.5	Gold 10μ"
MP16M23G15	MS16M23G15	18-16	.75-1.5	Gold 15μ"
MP16M23G30	MS16M23G30	18-16	.75-1.5	Gold 30μ"
MP20M23F	MS20M23F	22-20	.34-.50	Gold Flash
MP20M23G5	MS20M23G5	22-20	.34-.50	Gold 5μ"
MP20M23G10	MS20M23G10	22-20	.34-.50	Gold 10μ"
MP20M23G15	MS20M23G15	22-20	.34-.50	Gold 15μ"
MP20M23G30	MS20M23G30	22-20	.34-.50	Gold 30μ"
MP24M23F	MS24M23F	26-24	.14-.25	Gold Flash
MP24M23G5	MS24M23G5	26-24	.14-.25	Gold 5μ"
MP24M23G10	MS24M23G10	26-24	.14-.25	Gold 10μ"
MP24M23G15	MS24M23G15	26-24	.14-.25	Gold 15μ"
MP24M23G30	MS24M23G30	26-24	.14-.25	Gold 30μ"

Tools



Shell Size: 12 Number of Contacts: 4 Contact Size: 16
Sealing: IP67 / IP69k Salt Spray: 500h

Contacts Stamped & Formed



Stamped & Formed Contacts

Crimp Contacts, Stamped & Formed

Part Number		AWG	Wire Range (mm ²)	Plating
Male	Female			
SP14M1F	SS14M1F	14	2.0-2.5	Gold Flash
SP14M1G5	SS14M1G5	14	2.0-2.5	Gold 5μ"
SP14M1G10	SS14M1G10	14	2.0-2.5	Gold 10μ"
SP14M1G15	SS14M1G15	14	2.0-2.5	Gold 15μ"
SP14M1G30	SS14M1G30	14	2.0-2.5	Gold 30μ"
SP16M1F	SS16M1F	18-16	.75-1.5	Gold Flash
SP16M1G5	SS16M1G5	18-16	.75-1.5	Gold 5μ"
SP16M1G10	SS16M1G10	18-16	.75-1.5	Gold 10μ"
SP16M1G15	SS16M1G15	18-16	.75-1.5	Gold 15μ"
SP16M1G30	SS16M1G30	18-16	.75-1.5	Gold 30μ"
SP20M1F	SS20M1F	22-20	.34-.50	Gold Flash
SP20M1G5	SS20M1G5	22-20	.34-.50	Gold 5μ"
SP20M1G10	SS20M1G10	22-20	.34-.50	Gold 10μ"
SP20M1G15	SS20M1G15	22-20	.34-.50	Gold 15μ"
SP20M1G30	SS20M1G30	22-20	.34-.50	Gold 30μ"
SP24M1F	SS24M1F	26-24	.14-.25	Gold Flash
SP24M1G5	SS24M1G5	26-24	.14-.25	Gold 5μ"
SP24M1G10	SS24M1G10	26-24	.14-.25	Gold 10μ"
SP24M1G15	SS24M1G15	26-24	.14-.25	Gold 15μ"
SP24M1G30	SS24M1G30	26-24	.14-.25	Gold 30μ"

Tools



QXRT16



MFX-3954



MFX-3957

STEP 1
Choose Receptacle Style

STEP 2
Choose Plug Style

Jam Nut Receptacles



Square Flange Receptacles



Plugs



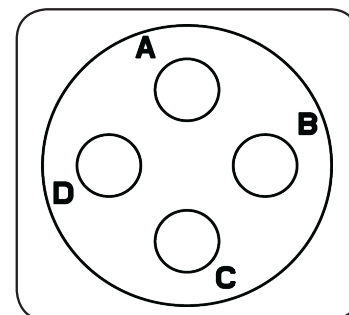
SEE TABLE ON NEXT PAGE FOR PART DETAILS

CONTACTS SOLD SEPARATELY SEE PAGE 65

Shell Size: 14 Number of Contacts: 4 Contact Size: 2.5mm
Sealing: IP67 / IP69k Salt Spray: 500h

eco | mate® Aquarius Standard Products

- Suitable For Indoor and Outdoor Applications
- EMI/RMI Shielding Capability with Appropriate Backshell
- Operating Temperature: -40°C to +125°C
- 500 Mating Cycles
- Contacts and Cord Grips Ordered Separately
- UL ECBT2 Certified*



Insert Arrangement
Pin (Male) Faceview

Connector Part Numbers - Receptacles

PART NO#	Description	Temperature Range	Figure Drawing
RTS714N4P03	Receptacle, jam nut, 4 positions, size 14, pin contact, silicone rubber seal	-40 to 125°C	1
RTS714N4PHEC03	Receptacle, jam nut, 4 positions, size 14, pin contact, silicone rubber seal	-40 to 125°C	3
RTS714N4S03	Receptacle, jam nut, 4 positions, size 14, socket contact, silicone rubber seal	-40 to 125°C	2
RTS014N4P03	Receptacle, square flange, 4 positions, size 14, pin contact, silicone rubber seal	-40 to 125°C	4
RTS014N4PHEC03	Receptacle, square flange, 4 positions, size 14, pin contact, silicone rubber seal, endcap	-40 to 125°C	6
RTS014N4S03	Receptacle, square flange, 4 positions, size 14, socket contact, silicone rubber seal	-40 to 125°C	5
RTS014N4SHEC03	Receptacle, square flange, 4 positions, size 14, socket contact, silicone rubber seal, endcap	-40 to 125°C	7

Connector Part Numbers - Plugs

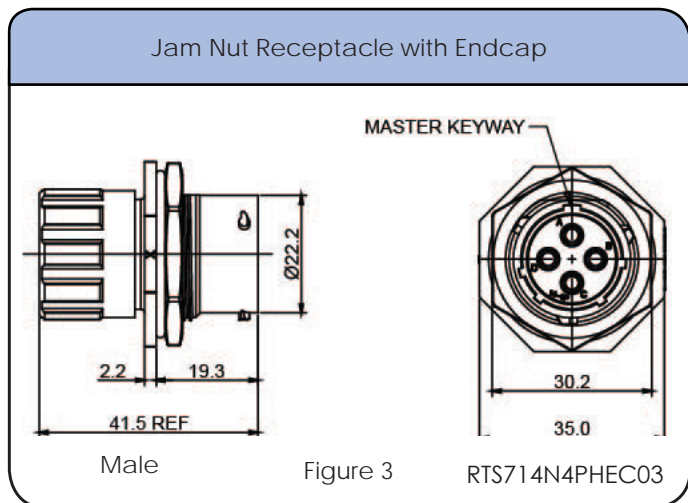
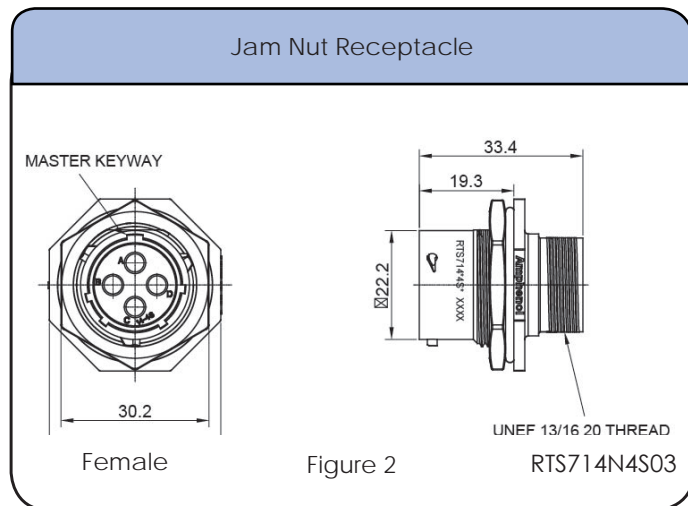
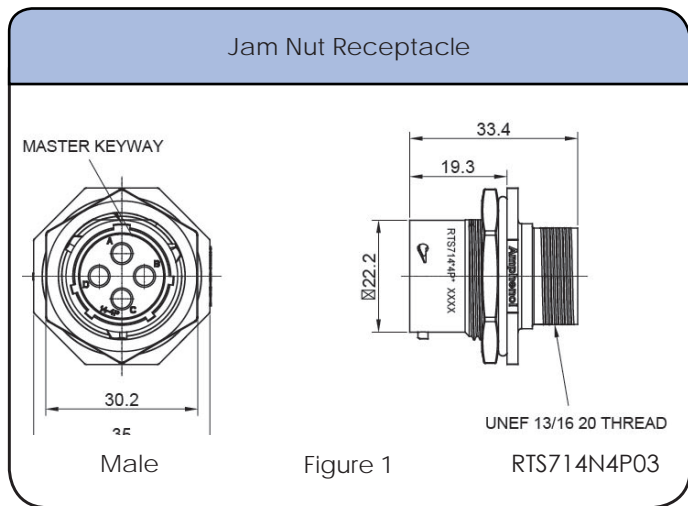
PART NO#	Description	Temperature Range	Figure Drawing
RTS6BS14N4P03	Straight plug with cord grip, 4 positions, size 14, pin contact, silicone rubber seal	-40 to 125°C	8
RTS6BS14N4PHEC03	Straight plug with end cap, 4 positions, size 14, pin contact, silicone rubber seal	-40 to 125°C	10
RTS6BS14N4S03	Straight plug with cord grip, 4 positions, size 14, socket contact, silicone rubber seal	-40 to 125°C	9
RTS6BS14N4SHEC03	Straight plug with end cap, 4 positions, size 14, socket contact, silicone rubber seal	-40 to 125°C	11

Contacts supplied separately see page 65

Shell Size: 14 Number of Contacts: 4
 Sealing: IP67 / IP69k Salt Spray: 500h

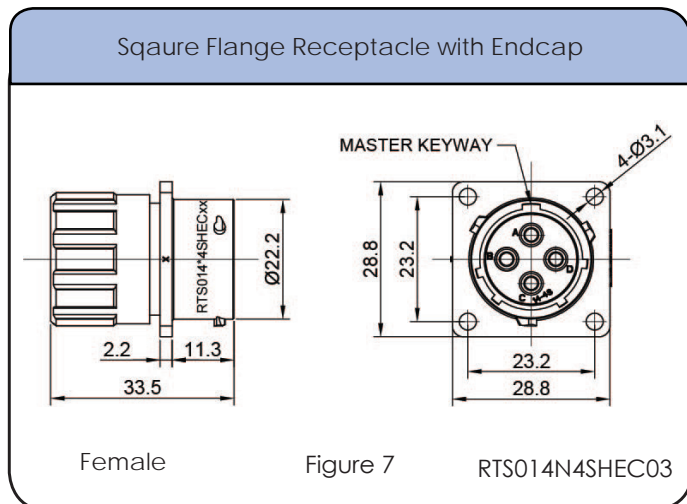
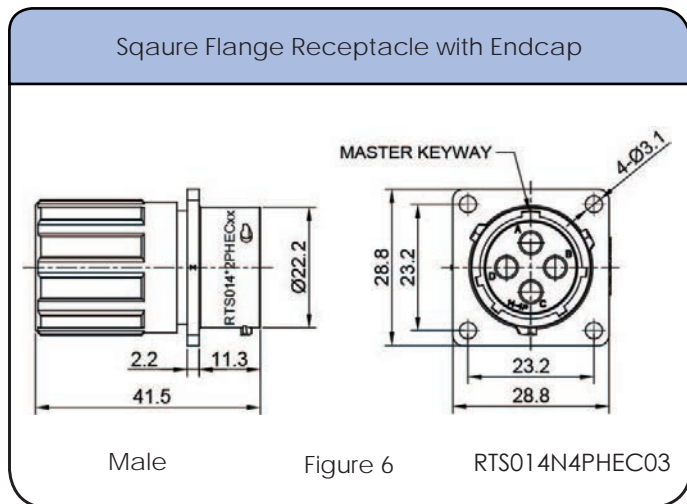
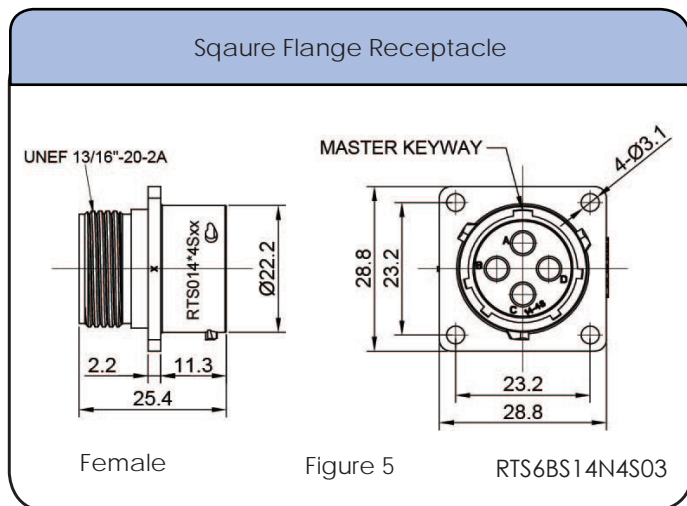
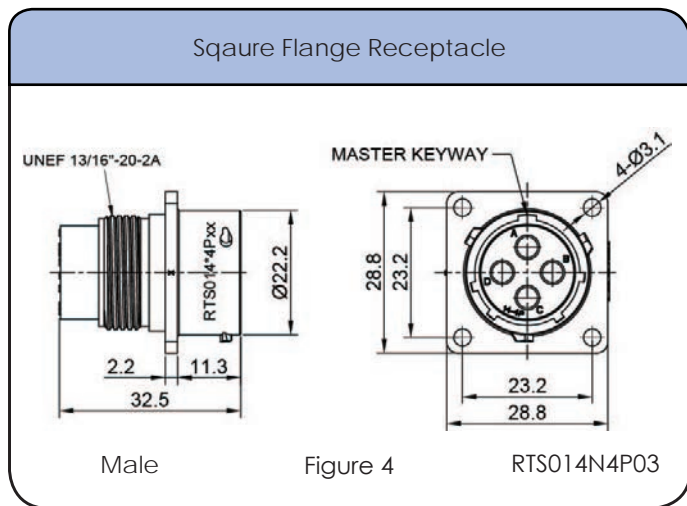
Contact Size: 2.5mm

Dimensions Jam Nut Receptacles



Shell Size: 14 Number of Contacts: 4 Contact Size: 2.5mm
Sealing: IP67 / IP69k Salt Spray: 500h

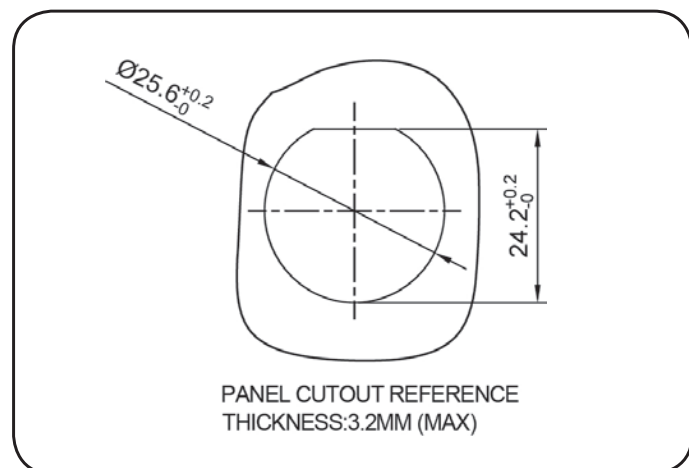
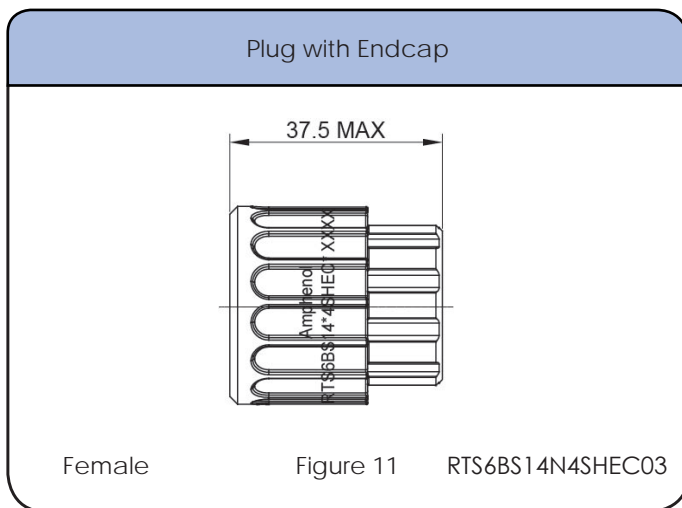
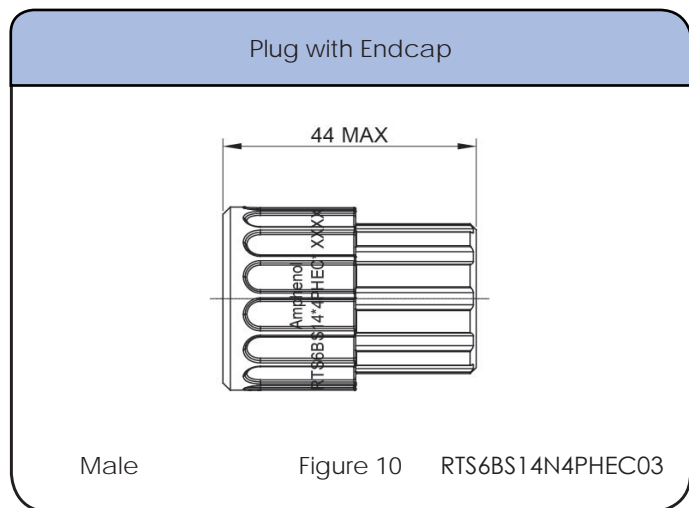
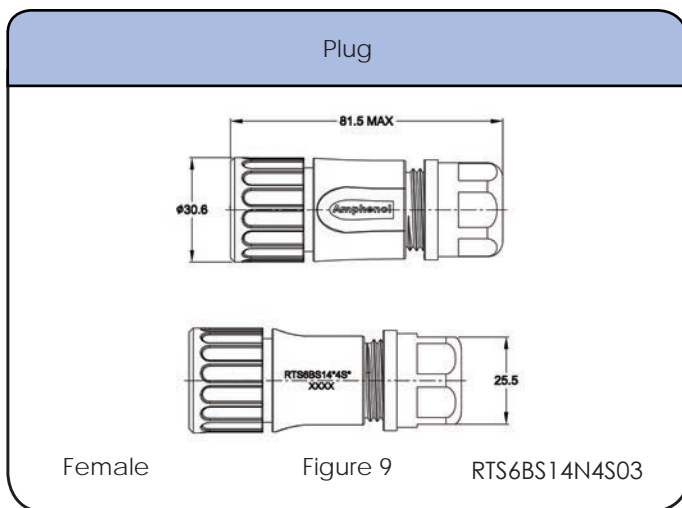
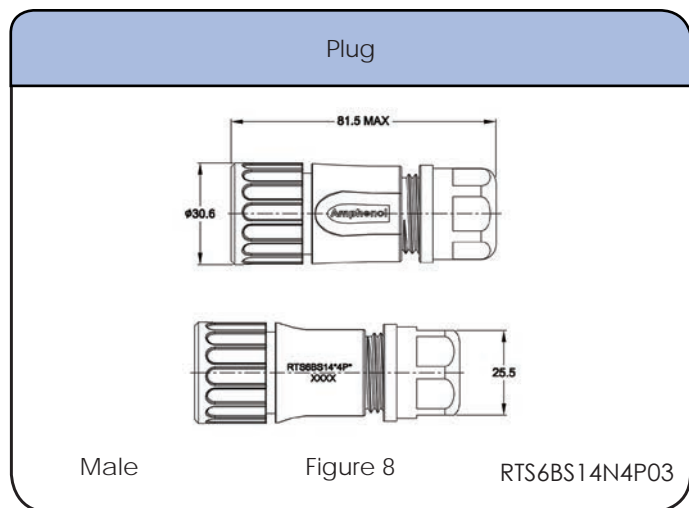
Dimensions Square Flange Receptacles



Shell Size: 14 Number of Contacts: 4
 Sealing: IP67 / IP69k Salt Spray: 500h







Contact Size: 2.5mm

Dimensions Plugs



Shell Size: 14 Number of Contacts: 4 Contact Size: 2.5mm
Sealing: IP67 / IP69k Salt Spray: 500h

Accessories

<p>Dust Cap for Receptacle, Size 14</p>  <p>RTS014DCG</p>	<p>Dust Cap for Plug, Size 14</p>  <p>RTS614NDCG</p>	<p>Sealing Plug, Size 2.5mm</p>  <p>CA401259</p>
<p>Coding Color Ring, Yellow, Size 14</p>  <p>RTS14CCRY</p>	<p>Coding Color Ring, Green, Size 14</p>  <p>RTS14CCRG</p>	<p>Coding Color Ring, Red, Size 14</p>  <p>RTS14CCR</p>

Contacts





Stamped & Formed Contacts

Crimp Contacts, Stamped & Formed

Part Number		AWG	Wire Range (mm ²)	Plating
Male	Female			
SP12A1T	SS12A1T	14-12	2.5-3.5	Tin

*No machined contacts are available for this group

Tools

<p>Extraction Tool 2.5mm Contact</p>  <p>QXRT12S</p>	<p>Hand Tool, Stamped & Formed Contact, 2.5 mm</p>  <p>MFX-3962</p>
---	--

STEP 1
Choose Receptacle Style

STEP 2
Choose Plug Style

Jam Nut Receptacles



RTS716N4P03



RTS716N4S03



RTS716N4PHEC03

Square Flange Receptacles



RTS016N4P03



RTS016N4S03



RTS016N4PHEC03



RTS016N4SHEC03

Plug



RTS6BS16N4P03



RTS6BS16N4S03



RTS6BS16N4PHEC03



RTS6BS16N4SHEC03

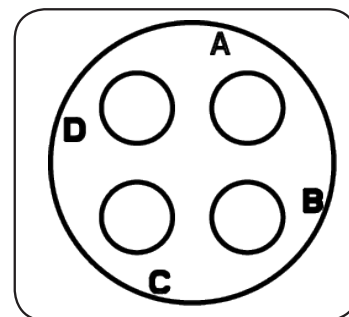
SEE TABLE ON NEXT PAGE FOR PART DETAILS

CONTACTS SOLD SEPARATELY SEE PAGE 71

Shell Size: 16 Number of Contacts: 4 Contact Size: 3.6mm
Sealing: IP67 / IP69k Salt Spray: 500h

eco | mate® Aquarius Standard Products

- Suitable For Indoor and Outdoor Applications
- EMI/RMI Shielding Capability with Appropriate Backshell
- Operating Temperature: -40°C to +125°C
- 500 Mating Cycles
- Contacts and Cord Grips Ordered Separately
- UL ECBT2 Certified*



Insert Arrangement
Pin (Male) Faceview

Connector Part Numbers - Receptacles

PART NO#	Description	Temperature Range	Figure Drawing
RTS716N4P03	Receptacle, jam nut, 4 positions, size 16, pin contact, silicone rubber seal	-40 to 125°C	1
RTS716N4PHEC03	Receptacle, jam nut, 4 positions, size 16, pin contact, silicone rubber seal, endcap	-40 to 125°C	3
RTS716N4S03	Receptacle, jam nut, 4 positions, size 16, socket contact, silicone rubber seal	-40 to 125°C	2
RTS016N4P03	Receptacle, square flange, 4 positions, size 16, pin contact, silicone rubber seal	-40 to 125°C	4
RTS016N4PHEC03	Receptacle, square flange, 4 positions, size 16, pin contact, silicone rubber seal, endcap	-40 to 125°C	6
RTS016N4S03	Receptacle, square flange, 4 positions, size 16, socket contact, silicone rubber seal	-40 to 125°C	5
RTS016N4SHEC03	Receptacle, square flange, 4 positions, size 16, socket contact, silicone rubber seal, endcap	-40 to 125°C	7

Connector Part Numbers - Plugs

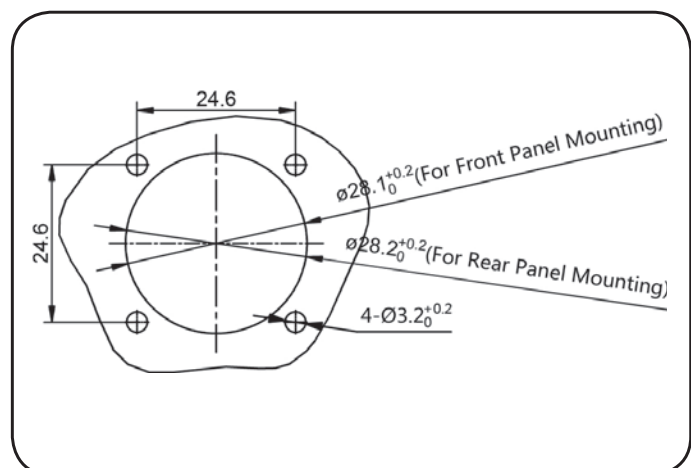
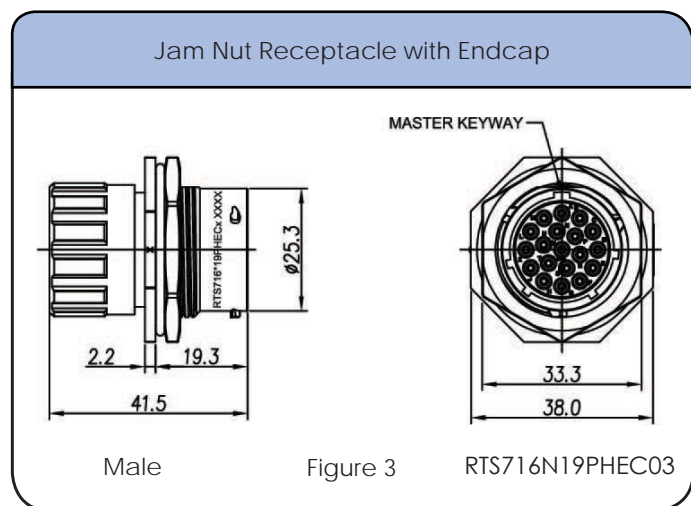
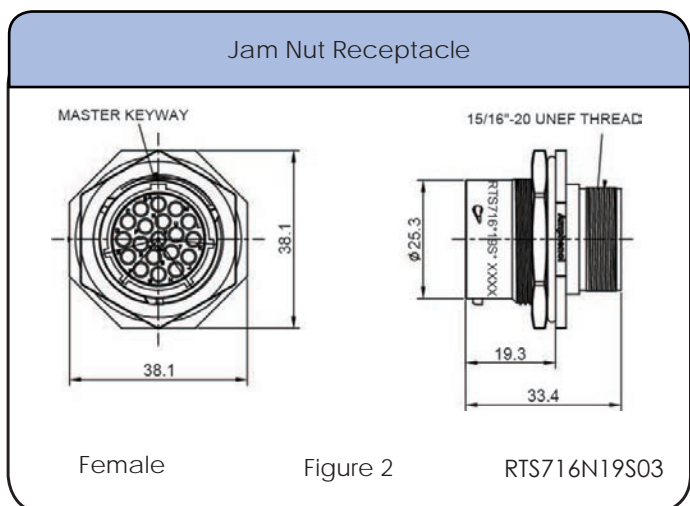
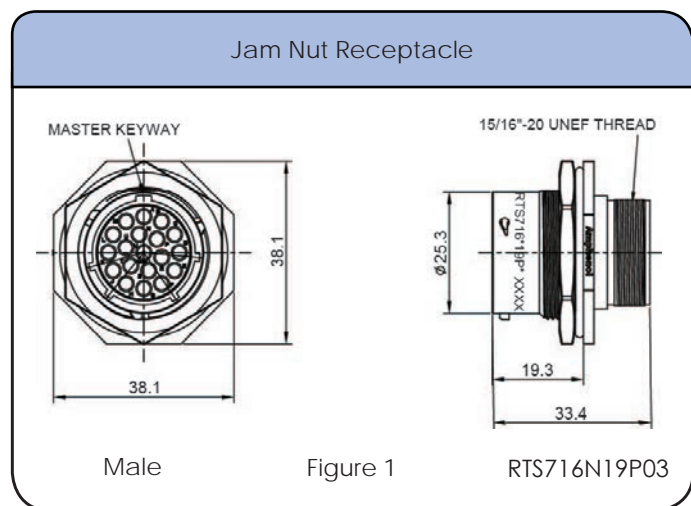
PART NO#	Description	Temperature Range	Figure Drawing
RTS6BS16N4P03	Straight plug with cord grip, 19 positions, size 16, pin contact, silicone rubber seal	-40 to 125°C	8
RTS6BS16N4PHEC03	Straight plug with endcap, 19 positions, size 16, pin contact	40 to 125°C	10
RTS6BS16N4S03	Straight plug with cord grip, 19 positions, size 16, socket contact, silicone rubber seal	-40 to 125°C	9
RTS6BS16N14SHEC03	Straight plug with endcap, 19 positions, size 16, socket contact	40 to 125°C	11

Contacts supplied separately see page 71

Shell Size: 16 Number of Contacts: 4
 Sealing: IP67 / IP69k Salt Spray: 500h

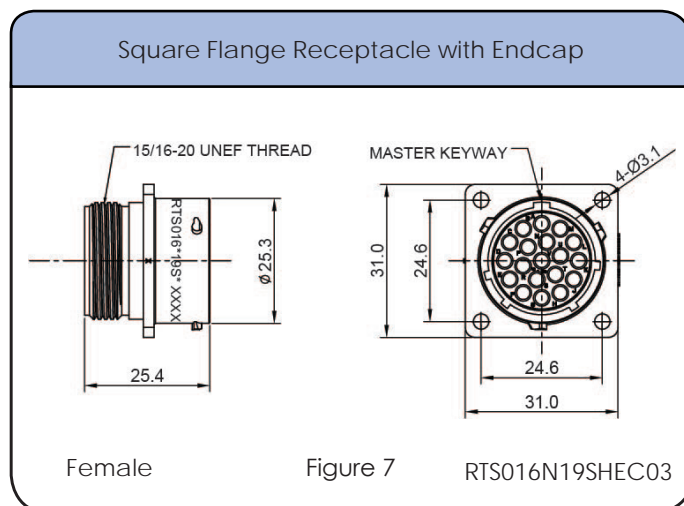
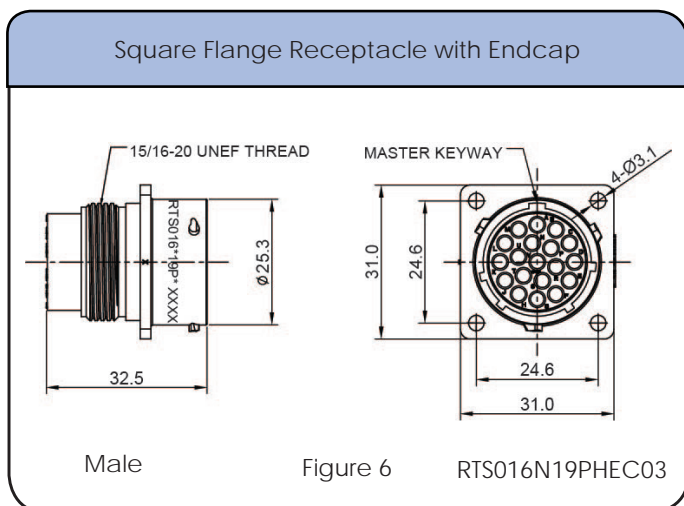
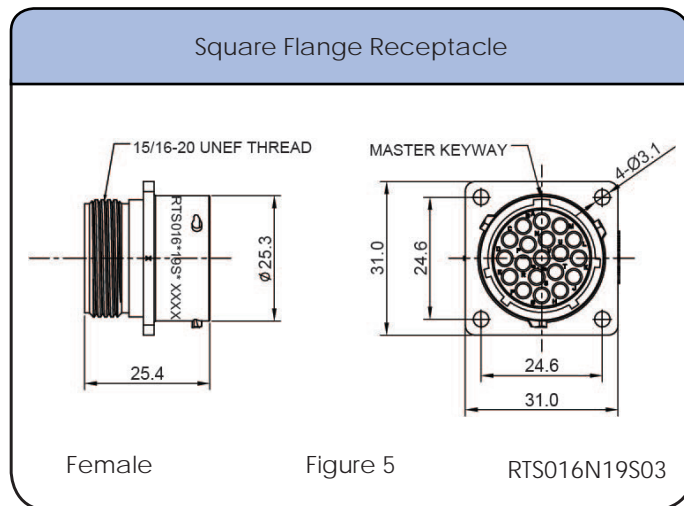
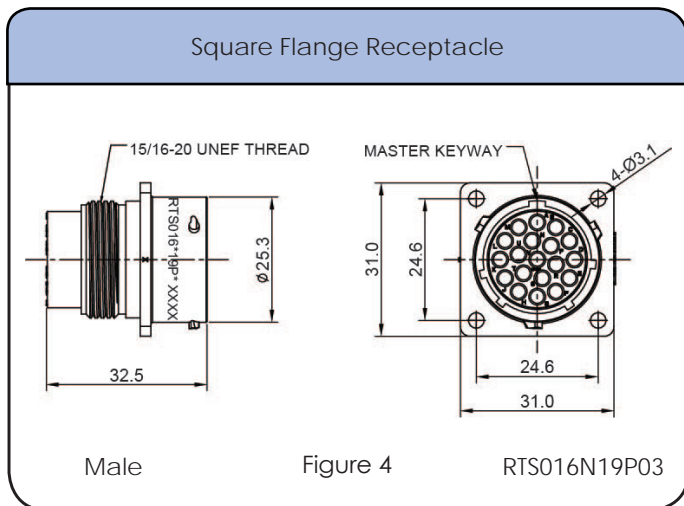
Contact Size: 3.6mm

Dimensions Jam Nut



Shell Size: 16 Number of Contacts: 4 Contact Size: 3.6mm
Sealing: IP67 / IP69k Salt Spray: 500h

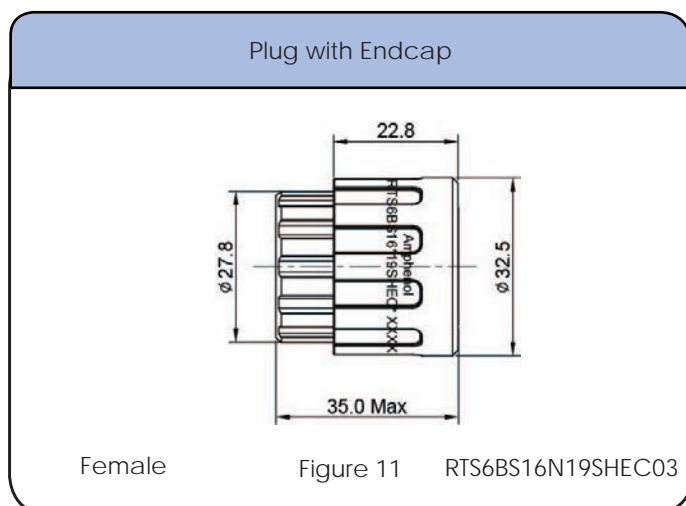
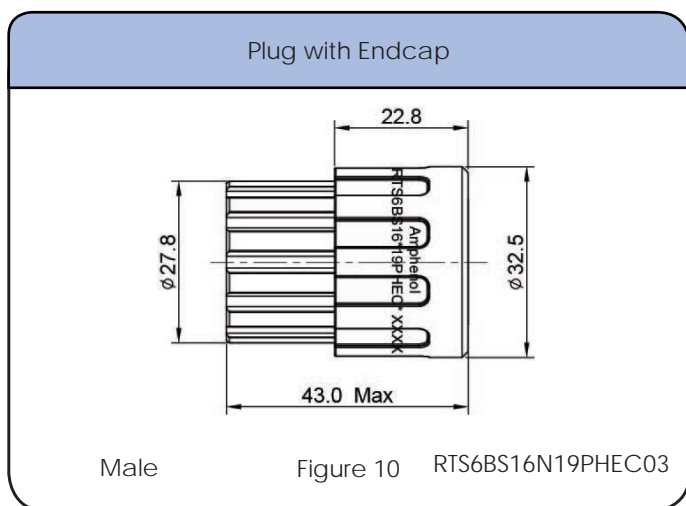
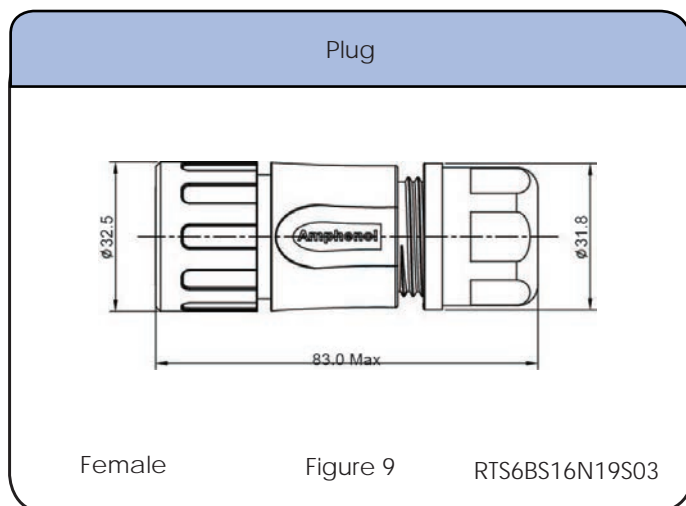
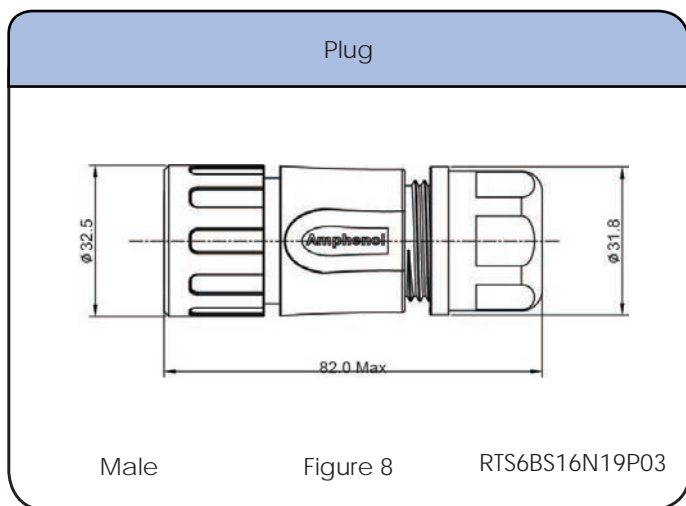
Dimensions Square Flange Receptacles



Shell Size: 16 Number of Contacts: 4
 Sealing: IP67 / IP69k Salt Spray: 500h

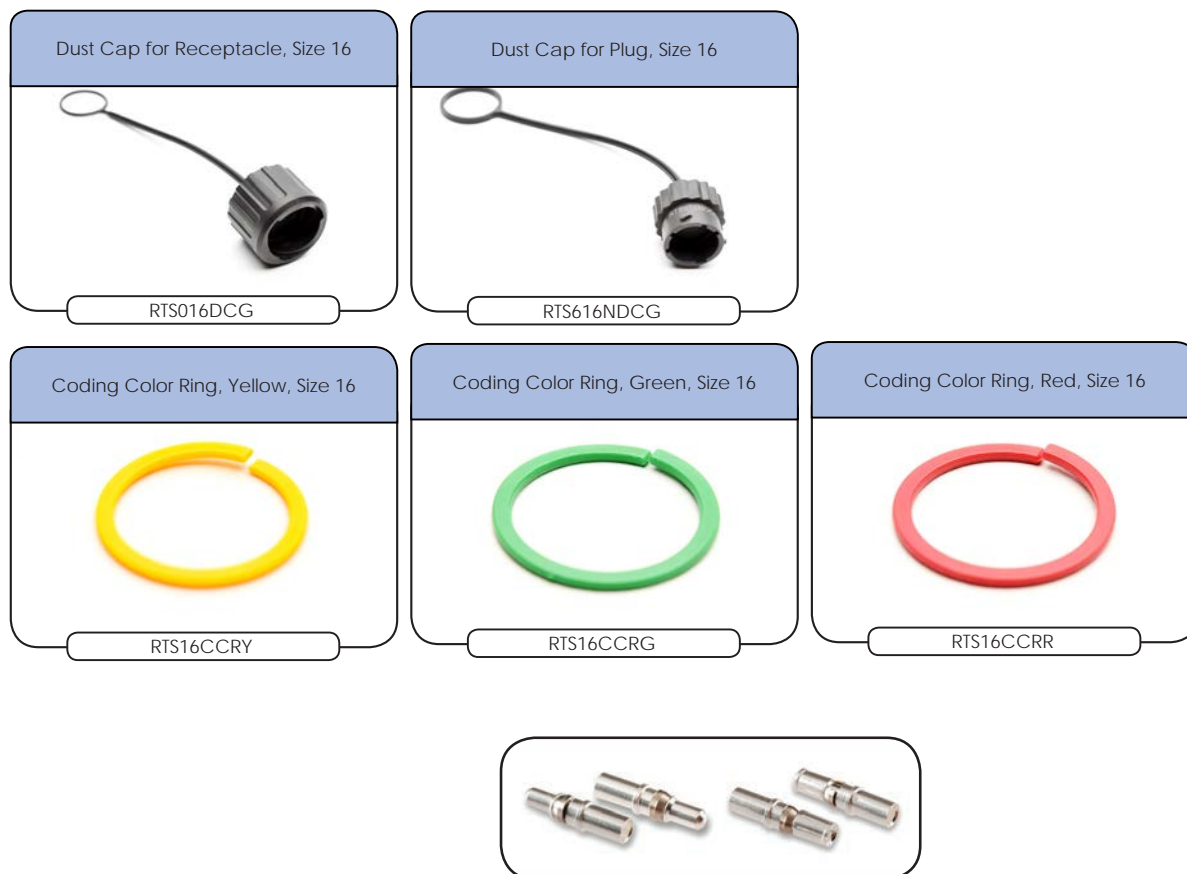
Contact Size: 3.6mm

Dimensions Plugs



Shell Size: 16 Number of Contacts: 4 Contact Size: 3.6mm
Sealing: IP67 / IP69k Salt Spray: 500h

Accessories

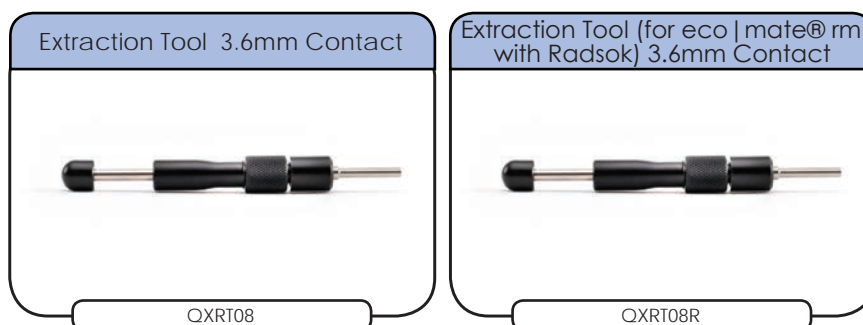


Crimp Contacts, Machined

Part Number		AWG	Wire Range (mm ²)	Plating
Male	Female			
MP10A23S	MS10A23S	8	3.0-6.0	Silver Plated

no stamped & formed contacts are available for this group

Tools



STEP 1
Choose Receptacle Style

STEP 2
Choose Plug Style

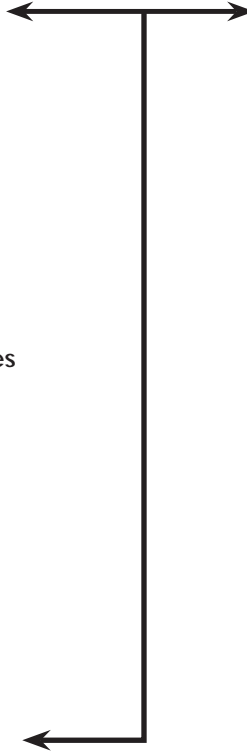
Jam Nut Receptacles



Square Flange Receptacles



Plugs



SEE TABLE ON NEXT PAGE FOR PART DETAILS

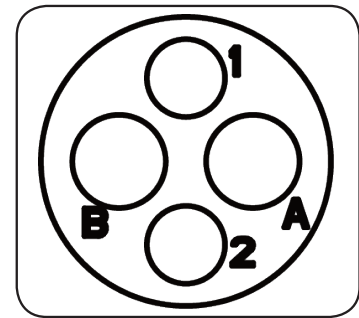
CONTACTS SOLD SEPARATELY SEE PAGE 77

Shell Size: 10 Number of Contacts: 4 (2+2)
Sealing: IP67 / IP69k Salt Spray: 500h

Contact Size: 2-20/2-16

**eco | mate® Aquarius
Standard Products**

- Suitable For Indoor and Outdoor Applications
- EMI/RMI Shielding Capability with Appropriate Backshell
- Operating Temperature: -40°C to +125°C
- 500 Mating Cycles
- Contacts and Cord Grips Ordered Separately
- UL ECBT2 Certified*



Insert Arrangement
Pin (Male) Faceview

Connector Part Numbers -Receptacles

PART NO#	Description	Temperature Range	Figure Drawing
RTS710N2P03	Receptacle, jam nut, 2+2 positions, size 10, pin contact, silicone rubber seal	-40 to 125°C	1
RTS710N2PHEC03	Receptacle, jam nut, 2+2 positions, size 10, pin contact, silicone rubber seal with endcap	-40 to 125°C	3
RTS710N2S03	Receptacle, jam nut, 2+2 positions, size 10, socket contact, silicone rubber seal	-40 to 125°C	2
RTS010N2P03	Receptacle, square flange, 2+2 positions, size 10, pin contact, silicone rubber seal	-40 to 125°C	4
RTS010N2PHEC03	Receptacle, square flange, 2+2 positions, size 10, pin contact, silicone rubber seal, with endcap	-40 to 125°C	5
RTS010N2S03	Receptacle, square flange, 2+2 positions, size 10, socket contact, silicone rubber seal	-40 to 125°C	6
RTS010N2SHEC03	Receptacle, square flange, 2+2 positions, size 10, socket contact, silicone rubber seal,with endcap	-40 to 125°C	7

Connector Part Numbers -Plugs

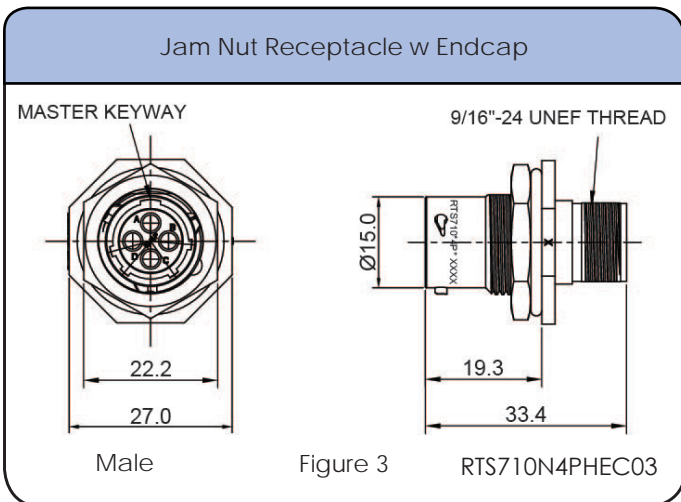
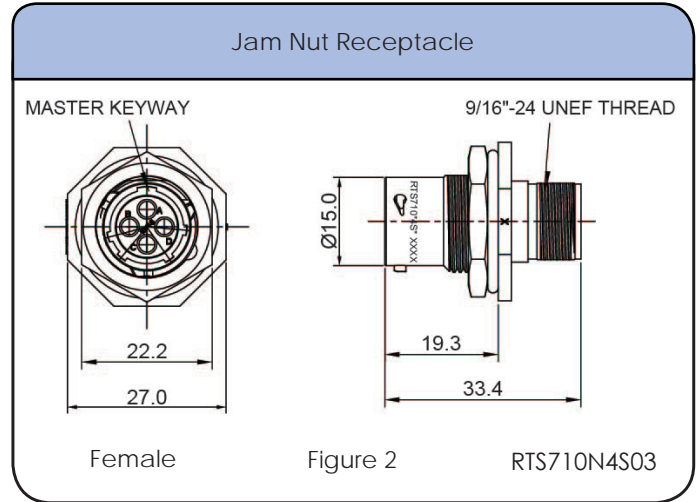
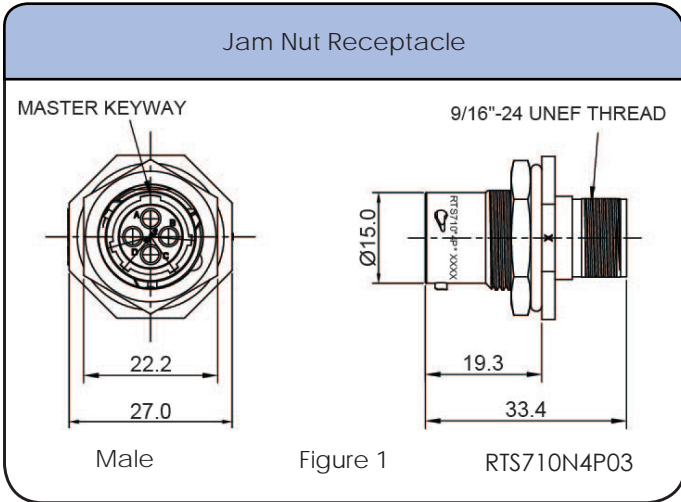
PART NO#	Description	Temperature Range	Figure Drawing
RTS6BS10N2P03	Straight plug with cord grip, 2+2 positions, size 10, pin contact, silicone rubber seal	-40 to 125°C	8
RTS6BS10N2PHEC03	Straight plug with endcap, 2+2 positions, size 10, pin contact, silicone rubber seal	-40 to 125°C	10
RTS6BS10N2S03	Straight plug with cord grip, 2+2 positions, size 10, r socket contact, silicone rubber seal	-40 to 125°C	9
RTS6BS10N2SHEC03	Straight plug with endcap, 2+2 positions, size 10, socket contact, silicone rubber seal	-40 to 125°C	11

Contacts supplied separately see page 77

Shell Size: 10 Number of Contacts: 4 (2+2)
 Sealing: IP67 / IP69k Salt Spray: 500h

Contact Size: 2-20/2-16

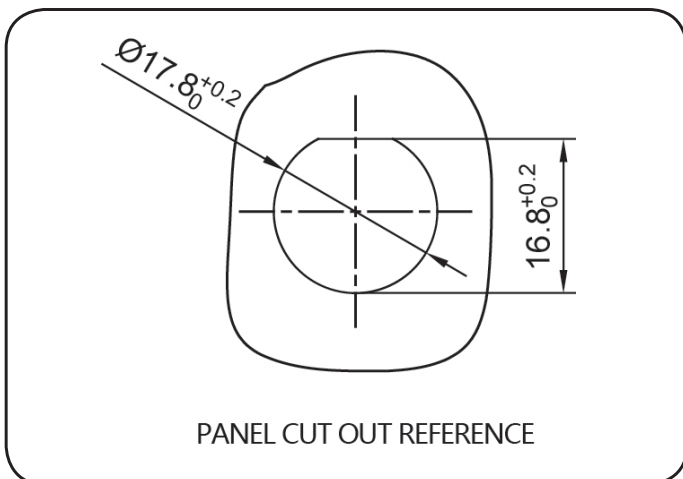
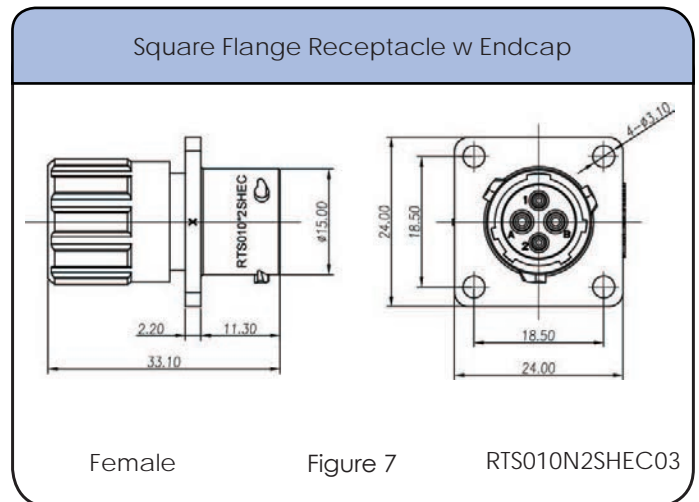
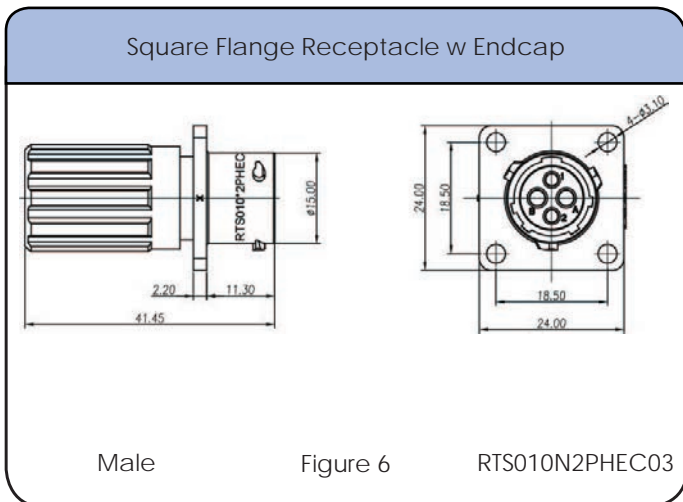
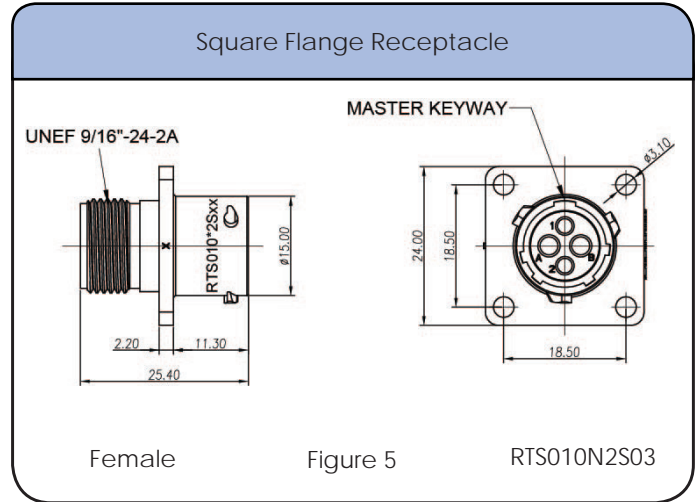
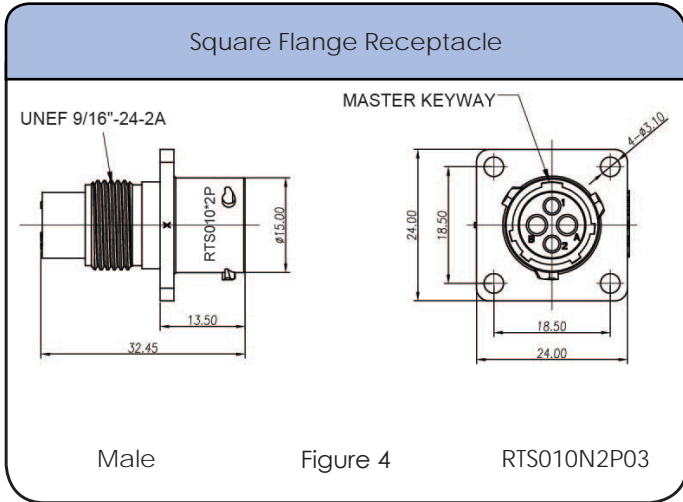
Dimensions Jam Nut



Shell Size: 10 Number of Contacts: 4 (2+2)
Sealing: IP67 / IP69k Salt Spray: 500h

Contact Size: 2-20/2-16

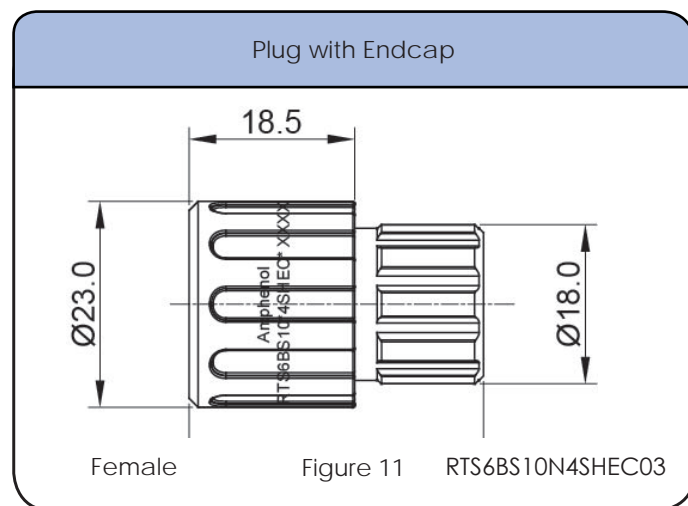
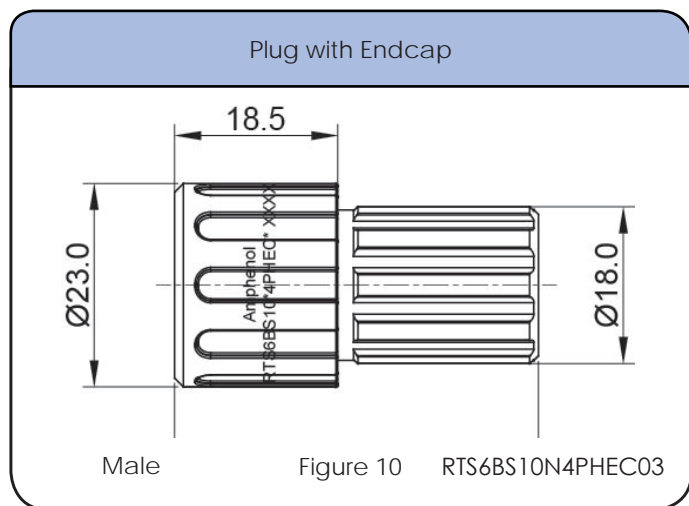
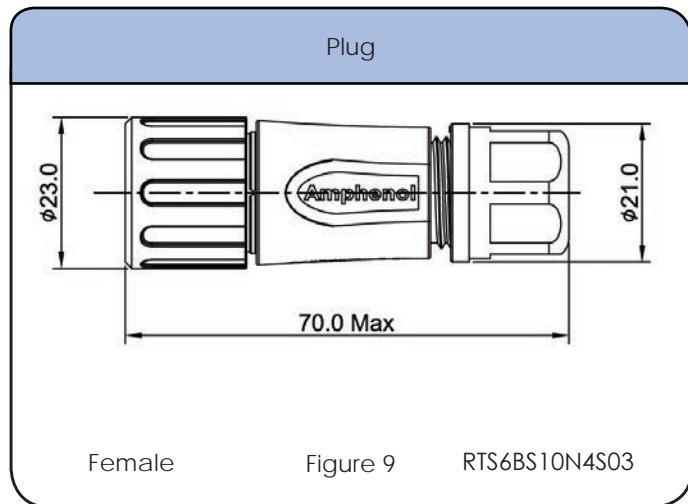
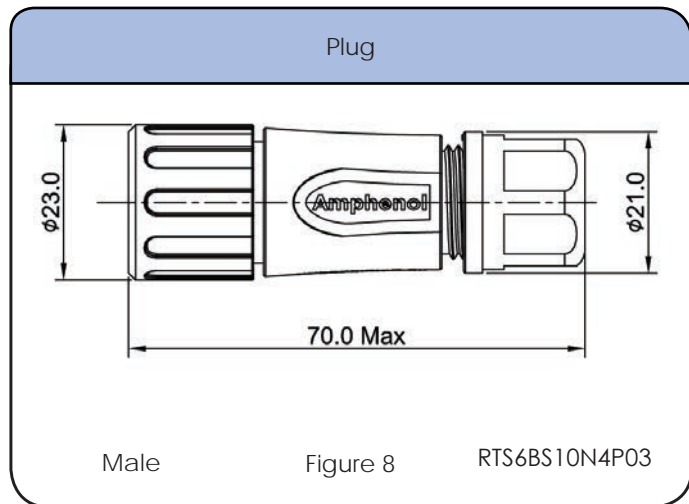
Dimensions Square Flange Receptacles



Shell Size: 10 Number of Contacts: 4 (2+2)
 Sealing: IP67 / IP69k Salt Spray: 500h

Contact Size: 2-20/2-16

Dimensions Plugs



Shell Size: 10 Number of Contacts: 4 (2+2) Contact Size: 2-20/2-16
Sealing: IP67 / IP69k Salt Spray: 500h

Contacts Machined



Crimp Contacts, Machined (7.5A Max)

Part Number		Contact Size	AWG	Wire Range (mm ²)	Plating
Male	Female				
MP14M23F	MS14M23F	16	14	2.0-2.5	Gold Flash
MP14M23G5	MS14M23G5	16	14	2.0-2.5	Gold 5μ"
MP14M23G10	MS14M23G10	16	14	2.0-2.5	Gold 10μ"
MP14M23G15	MS14M23G15	16	14	2.0-2.5	Gold 15μ"
MP14M23G30	MS14M23G30	16	14	2.0-2.5	Gold 30μ"
MP16M23F	MS16M23F	16	18-16	.75-1.5	Gold Flash
MP16M23G5	MS16M23G5	16	18-16	.75-1.5	Gold 5μ"
MP16M23G10	MS16M23G10	16	18-16	.75-1.5	Gold 10μ"
MP16M23G15	MS16M23G15	16	18-16	.75-1.5	Gold 15μ"
MP16M23G30	MS16M23G30	16	18-16	.75-1.5	Gold 30μ"
MP20M23F	MS20M23F	16	22-20	.34-.50	Gold Flash
MP20M23G5	MS20M23G5	16	22-20	.34-.50	Gold 5μ"
MP20M23G10	MS20M23G10	16	22-20	.34-.50	Gold 10μ"
MP20M23G15	MS20M23G15	16	22-20	.34-.50	Gold 15μ"
MP20M23G30	MS20M23G30	16	22-20	.34-.50	Gold 30μ"
MP24M23F	MS24M23F	16	26-24	.14-.25	Gold Flash
MP24M23G5	MS24M23G5	16	26-24	.14-.25	Gold 5μ"
MP24M23G10	MS24M23G10	16	26-24	.14-.25	Gold 10μ"
MP24M23G15	MS24M23G15	16	26-24	.14-.25	Gold 15μ"
MP24M23G30	MS24M23G30	16	26-24	.14-.25	Gold 30μ"

Shell Size: 10 Number of Contacts: 4 (2+2) Contact Size: 2-20/2-16
 Sealing: IP67 / IP69k Salt Spray: 500h

Contacts Machined (con't)



Crimp Contacts, Machined (7.5A Max)

Part Number		Size	AWG	Wire Rangenet (mm ²)	Plating
Male	Female				
MP20W23F	MS20W23F	20	22-20	.34-.50	Gold Flash
MP20W23G5	MS20W23G5	20	22-20	.34-.50	Gold 5μ"
MP20W23G10	MS20W23G10	20	22-20	.34-.50	Gold 10μ"
MP20W23G15	MS20W23G15	20	22-20	.34-.50	Gold 15μ"
MP20W23G30	MS20W23G30	20	22-20	.34-.50	Gold 30μ"
MP24W23F	MS24W23F	20	26-24	.13-.25	Gold Flash
MP24W23G5	MS24W23G5	20	26-24	.13-.25	Gold 5μ"
MP24W23G10	MS24W23G10	20	26-24	.13-.25	Gold 10μ"
MP24W23G15	MS24W23G15	20	26-24	.13-.25	Gold 15μ"
MP24W23G30	MS24W23G30	20	26-24	.13-.25	Gold 30μ"
MP28W23F	MS28W23F	20	30-28	.05-.08	Gold Flash
MP28W23G5	MS28W23G5	20	30-28	.05-.08	Gold 5μ"
MP28W23G10	MS28W23G10	20	30-28	.05-.08	Gold 10μ"
MP28W23G15	MS28W23G15	20	30-28	.05-.08	Gold 15μ"
MP28W23G30	MS28W23G30	20	30-28	.05-.08	Gold 30μ"

Tools



Shell Size: 10 Number of Contacts: 4 (2+2) Contact Size: 2-20/2-16
Sealing: IP67 / IP69k Salt Spray: 500h

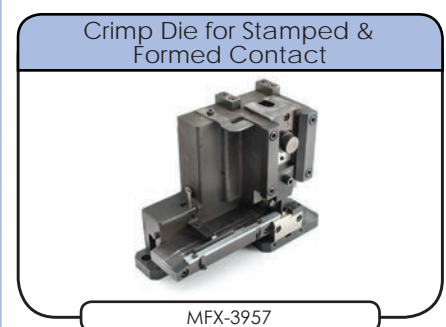
Contacts Stamped & Formed



Crimp Contacts, Stamped & Formed

Part Number		Size	AWG	Wire Range (mm ²)	Plating
Male	Female				
SP14M1F	SS14M1F	16	14	2.0-2.5	Gold Flash
SP14M1G5	SS14M1G5	16	14	2.0-2.5	Gold 5μ"
SP14M1G10	SS14M1G10	16	14	2.0-2.5	Gold 10μ"
SP14M1G15	SS14M1G15	16	14	2.0-2.5	Gold 15μ"
SP14M1G30	SS14M1G30	16	14	2.0-2.5	Gold 30μ"
SP16M1F	SS16M1F	16	18-16	.75-1.5	Gold Flash
SP16M1G5	SS16M1G5	16	18-16	.75-1.5	Gold 5μ"
SP16M1G10	SS16M1G10	16	18-16	.75-1.5	Gold 10μ"
SP16M1G15	SS16M1G15	16	18-16	.75-1.5	Gold 15μ"
SP16M1G30	SS16M1G30	16	18-16	.75-1.5	Gold 30μ"
SP20M1F	SS20M1F	16	22-20	.34-.50	Gold Flash
SP20M1G5	SS20M1G5	16	22-20	.34-.50	Gold 5μ"
SP20M1G10	SS20M1G10	16	22-20	.34-.50	Gold 10μ"
SP20M1G15	SS20M1G15	16	22-20	.34-.50	Gold 15μ"
SP20M1G30	SS20M1G30	16	22-20	.34-.50	Gold 30μ"
SP24M1F	SS24M1F	16	26-24	.14-.25	Gold Flash
SP24M1G5	SS24M1G5	16	26-24	.14-.25	Gold 5μ"
SP24M1G10	SS24M1G10	16	26-24	.14-.25	Gold 10μ"
SP24M1G15	SS24M1G15	16	26-24	.14-.25	Gold 15μ"
SP24M1G30	SS24M1G30	16	26-24	.14-.25	Gold 30μ"

Tools



Shell Size: 10 Number of Contacts: 4 (2+2) Contact Size: 2-20/2-16
 Sealing: IP67 / IP69k Salt Spray: 500h

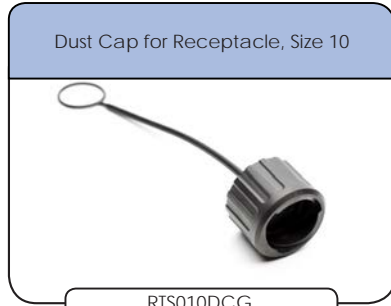
Crimp Contacts, Stamped & Formed (con't)

Part Number		Contact Size	AWG	Wire Range (mm ²)	Plating
Male	Female				
SP20W1F	SS20W1F	20	22-20	.34-.50	Gold Flash
SP20W1G5	SS20W1G5	20	22-20	.34-.50	Gold 5μ"
SP20W1G10	SS20W1G10	20	22-20	.34-.50	Gold 10μ"
SP20W1G15	SS20W1G15	20	22-20	.34-.50	Gold 15μ"
SP20W1G30	SS20W1G30	20	22-20	.34-.50	Gold 30μ"
SP24W1F	SS24W1F	20	26-24	.14-.25	Gold Flash
SP24W1G5	SS24W1G5	20	26-24	.14-.25	Gold 5μ"
SP24W1G10	SS24W1G10	20	26-24	.14-.25	Gold 10μ"
SP24W1G15	SS24W1G15	20	26-24	.14-.25	Gold 15μ"
SP24W1G30	SS24W1G30	20	26-24	.14-.25	Gold 30μ"
SP28W1F	SS28W1F	20	30-28	.05-.08	Gold Flash
SP28W1G5	SS28W1G5	20	30-28	.05-.08	Gold 5μ"
SP28W1G10	SS28W1G10	20	30-28	.05-.08	Gold 10μ"
SP28W1G15	SS28W1G15	20	30-28	.05-.08	Gold 15μ"
SP28W1G30	SS28W1G30	20	30-28	.05-.08	Gold 30μ"

Shell Size: 10 Number of Contacts: 4 (2+2)
Sealing: IP67 / IP69k Salt Spray: 500h

Contact Size: 2-20/2-16

Accessories



STEP 1
Choose Receptacle Style

STEP 2
Choose Plug Style

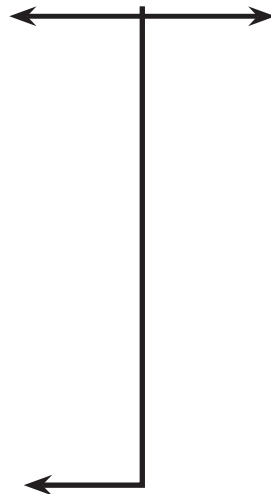
Jam Nut Receptacles



Square Flange Receptacles



Plugs



SEE TABLE ON NEXT PAGE FOR PART DETAILS

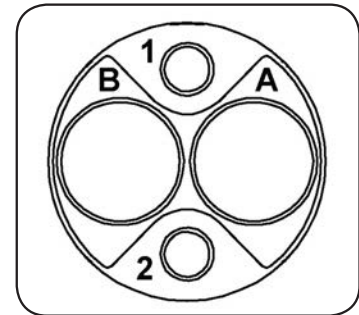
CONTACTS SOLD SEPARATELY SEE PAGE 88

Shell Size: 12 Number of Contacts: 4 (2+2)
Sealing: IP67 / IP69k Salt Spray: 500h

Contact Size: 2-20/2-2.5mm

eco | mate® Aquarius Standard Products

- Suitable For Indoor and Outdoor Applications
- EMI/RMI Shielding Capability with Appropriate Backshell
- Operating Temperature: -40°C to +125°C
- 500 Mating Cycles
- Contacts and Cord Grips Ordered Separately
- UL ECBT2 Certified*



Insert Arrangement
Pin (Male) Faceview

Connector Part Numbers -Receptacles

PART NO#	Description	Temperature Range	Figure Drawing
RTS712N2P03	Receptacle, jam nut, 2+2 positions, size 12, pin contact, silicone rubber seal	-40 to 125°C	1
RTS712N2PHEC03	Receptacle, jam nut, 2+2 positions, size 12, pin contact, silicone rubber seal, with endcap	-40 to 125°C	3
RTS712N2S03	Receptacle, jam nut, 2+2 positions, size 12, socket contact, silicone rubber seal	-40 to 125°C	2
RTS012N2P03	Receptacle, square flange, 2+2 positions, size 12, pin contact, silicone rubber seal	-40 to 125°C	4
RTS012N2PHEC03	Receptacle, square flange, 2+2 positions, size 12, pin contact, silicone rubber seal, endcap	-40 to 125°C	6
RTS012N2S03	Receptacle, square flange, 2+2 positions, size 12, socket contact, silicone rubber seal	-40 to 125°C	5
RTS012N2SHEC03	Receptacle, square flange, 2+2 positions, size 12, socket contact, silicone rubber seal, endcap	-40 to 125°C	8

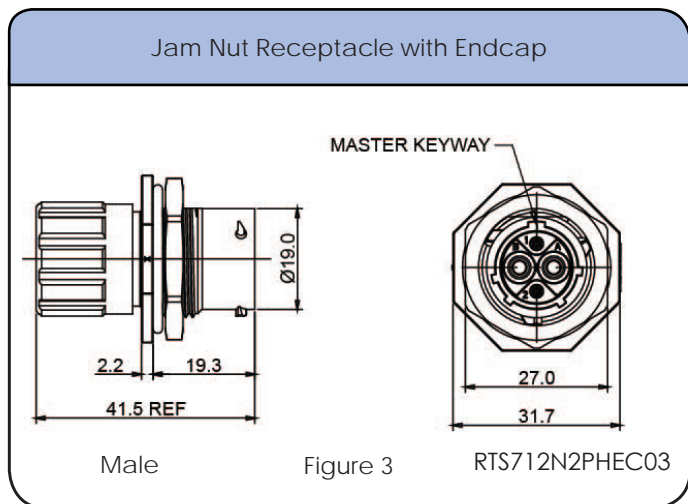
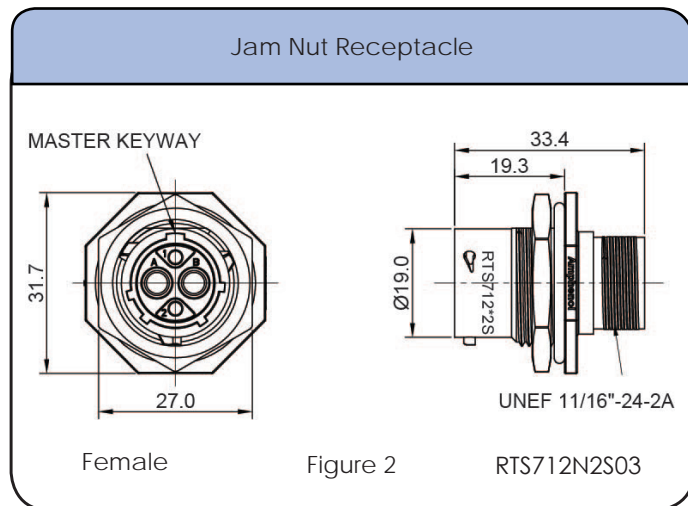
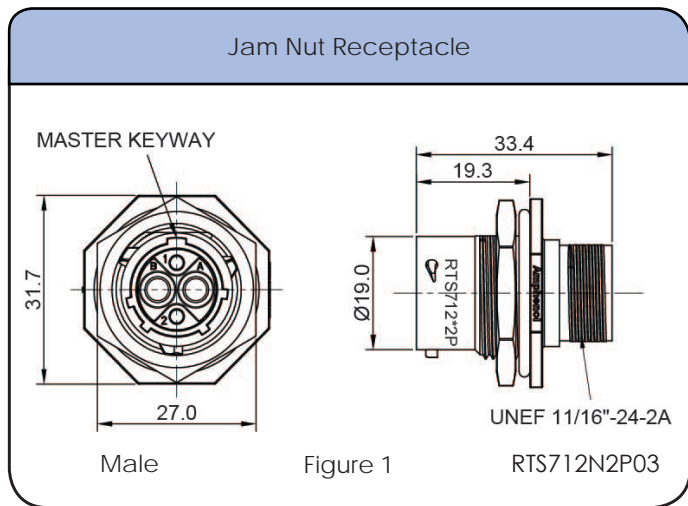
Connector Part Numbers -Plugs

PART NO#	Description	Temperature Range	Figure Drawing
RTS6BS12N2P03	Straight plug with cord grip, 2+2 positions, size 12, pin contact, silicone rubber seal	-40 to 125°C	9
RTS6BS12N2PHEC03	Straight plug with end cap, 2+2 positions, size 12, pin contact, silicone rubber seal	-40 to 125°C	11
RTS6BS12N2S03	Straight plug with cord grip, 2+2 positions, size 12, socket contact, silicone rubber seal	-40 to 125°C	10
RTS6BS12N2SHEC03	Straight plug with end cap, 2+2 positions, size 12, socket contact, silicone rubber seal	-40 to 125°C	12

Contacts supplied separately see page 88

Shell Size: 12 Number of Contacts: 4 (2+2) Contact Size: 2-20/2-2.5mm
 Sealing: IP67 / IP69k Salt Spray: 500h

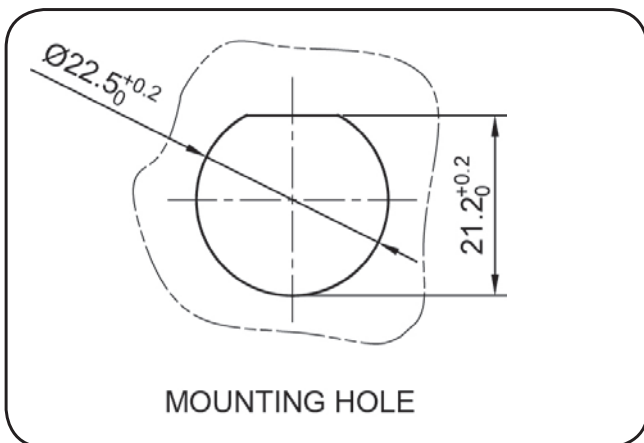
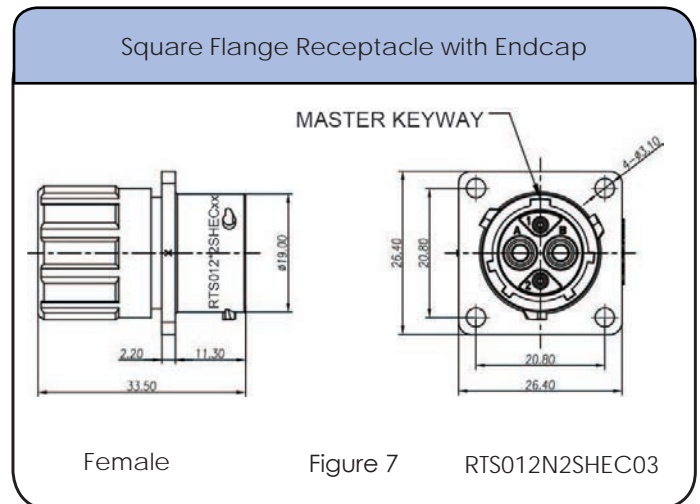
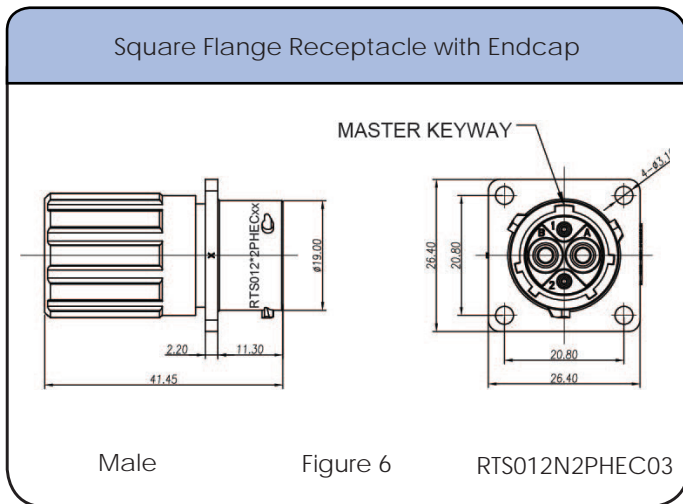
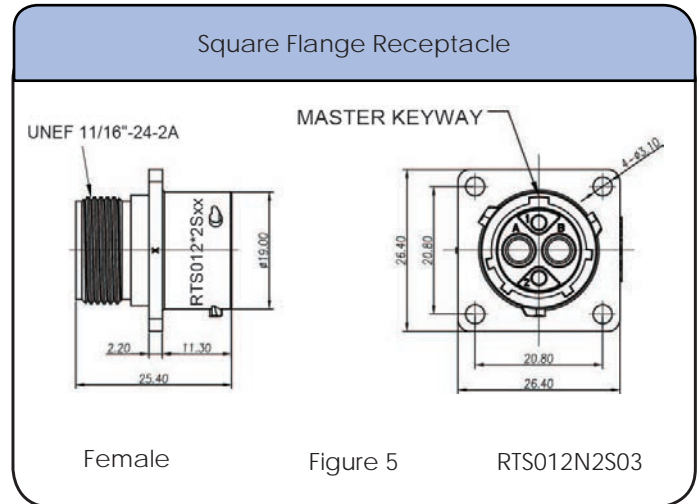
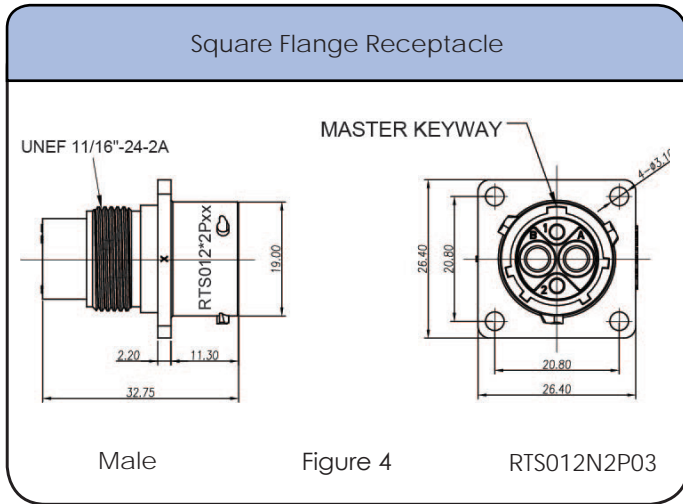
Dimensions Jam Nut Receptacle



Shell Size: 12 Number of Contacts: 4 (2+2)
Sealing: IP67 / IP69k Salt Spray: 500h

Contact Size: 2-20/2-2.5mm

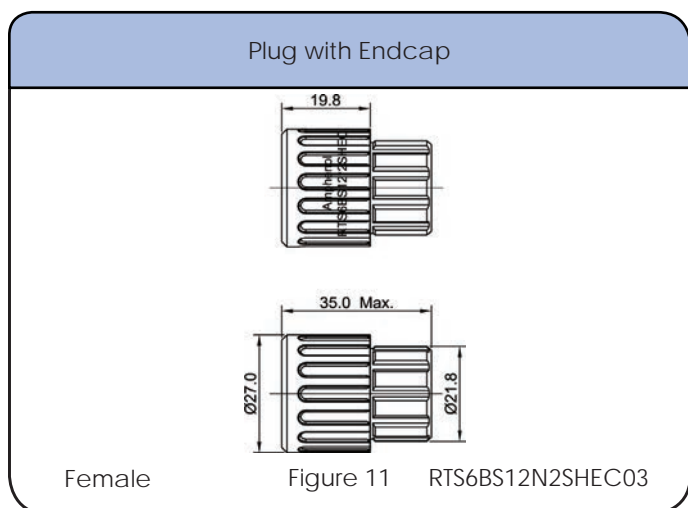
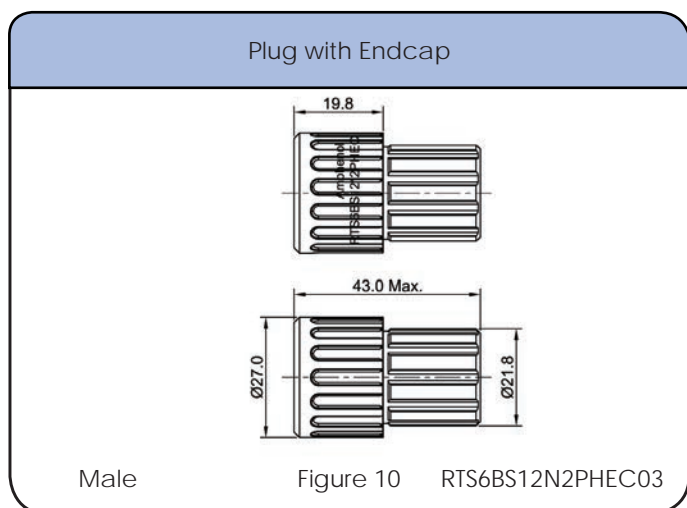
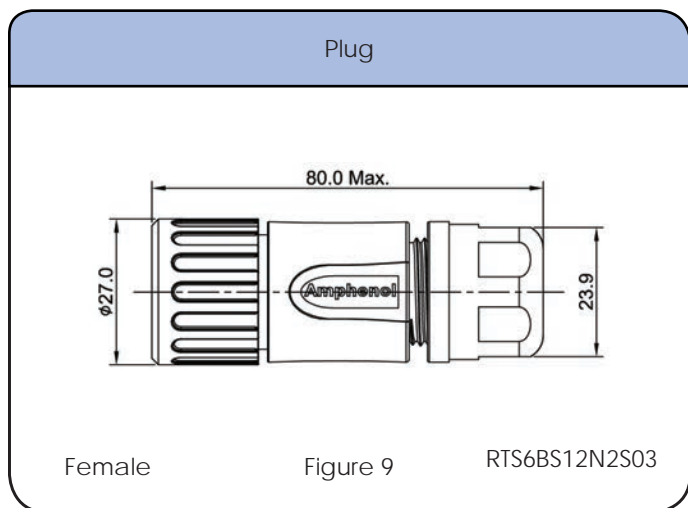
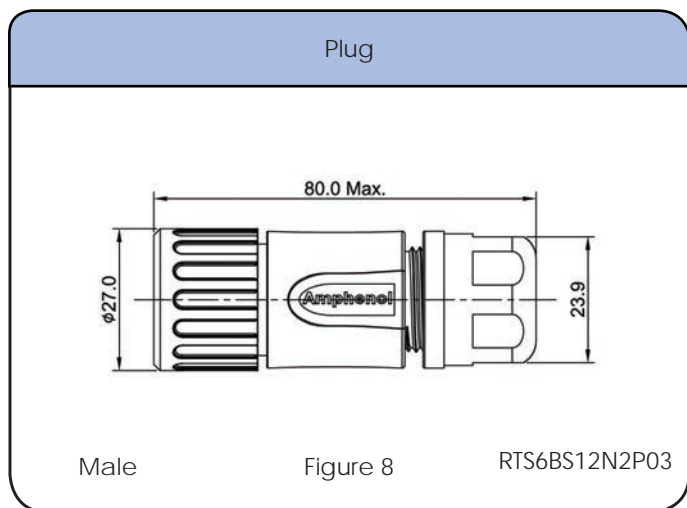
Dimensions Square Flange Receptacle



Shell Size: 12 Number of Contacts: 4 (2+2)
 Sealing: IP67 / IP69k Salt Spray: 500h

Contact Size: 2-20/2-2.5mm

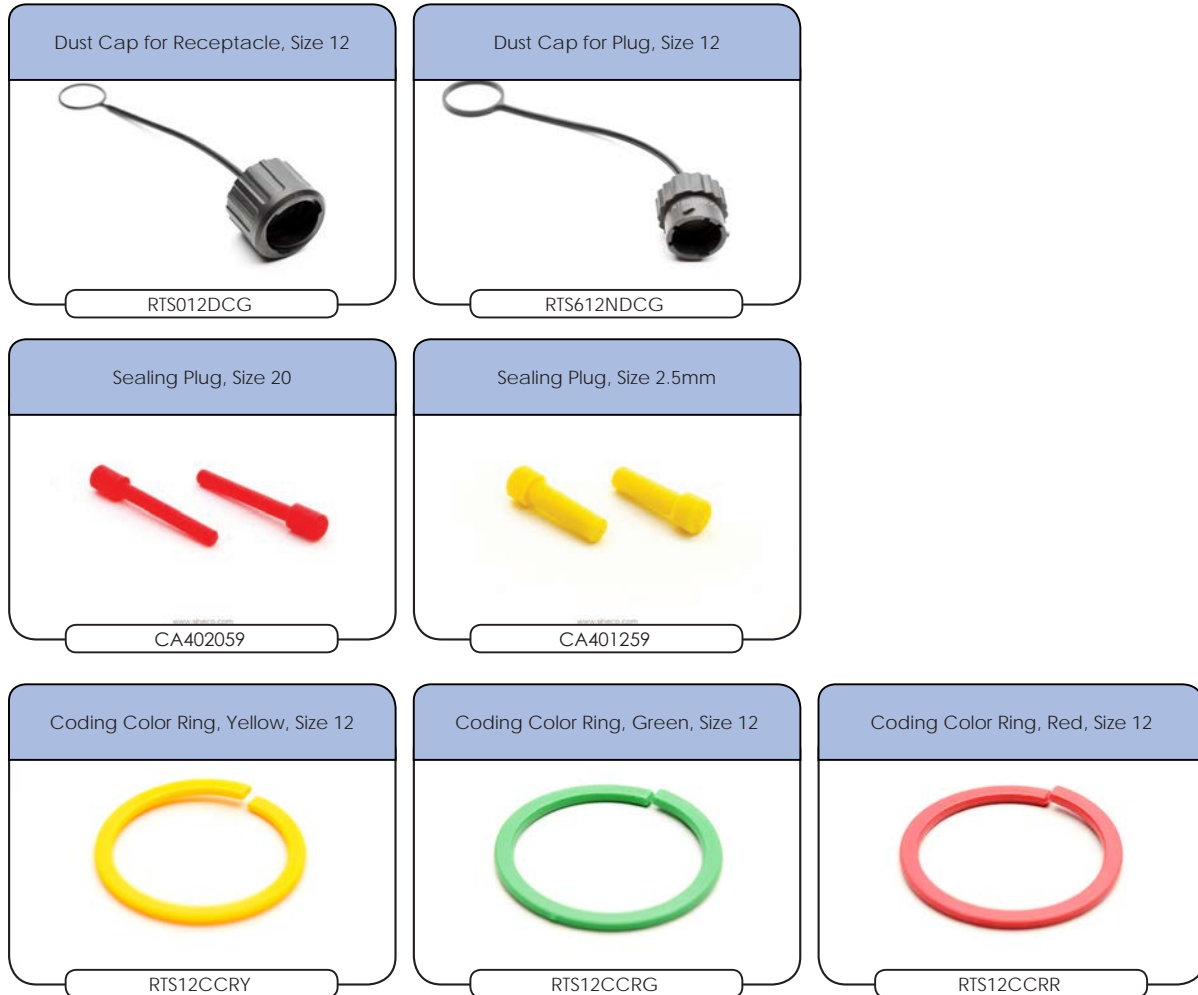
Dimensions Plug



Shell Size: 12 Number of Contacts: 4 (2+2)
Sealing: IP67 / IP69k Salt Spray: 500h

Contact Size: 2-20/2-2.5mm

Accessories



Shell Size: 12 Number of Contacts: 4 (2+2) Contact Size: 2-20/2-2.5mm
 Sealing: IP67 / IP69k Salt Spray: 500h

Contacts Machined



Crimp Contacts, Machined (7.5A Max)

Part Number		Contact Size	AWG	Wire Range (mm ²)	Plating
Male	Female				
MP20W23F	MS20W23F	20	22-20	.34-.50	Gold Flash
MP20W23G5	MS20W23G5	20	22-20	.34-.50	Gold 5μ"
MP20W23G10	MS20W23G10	20	22-20	.34-.50	Gold 10μ"
MP20W23G15	MS20W23G15	20	22-20	.34-.50	Gold 15μ"
MP20W23G30	MS20W23G30	20	22-20	.34-.50	Gold 30μ"
MP24W23F	MS24W23F	20	26-24	.13-.25	Gold Flash
MP24W23G5	MS24W23G5	20	26-24	.13-.25	Gold 5μ"
MP24W23G10	MS24W23G10	20	26-24	.13-.25	Gold 10μ"
MP24W23G15	MS24W23G15	20	26-24	.13-.25	Gold 15μ"
MP24W23G30	MS24W23G30	20	26-24	.13-.25	Gold 30μ"
MP28W23F	MS28W23F	20	30-28	.05-.08	Gold Flash
MP28W23G5	MS28W23G5	20	30-28	.05-.08	Gold 5μ"
MP28W23G10	MS28W23G10	20	30-28	.05-.08	Gold 10μ"
MP28W23G15	MS28W23G15	20	30-28	.05-.08	Gold 15μ"
MP28W23G30	MS28W23G30	20	30-28	.05-.08	Gold 30μ"

Tools



Shell Size: 12 Number of Contacts: 4 (2+2) Contact Size: 2-20/2-2.5mm
Sealing: IP67 / IP69k Salt Spray: 500h

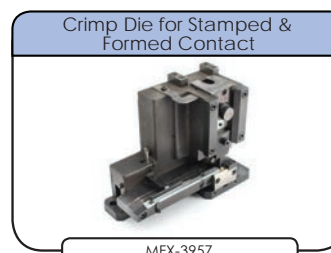
Contacts Stamped & Formed



Crimp Contacts, Stamped & Formed

Part Number		Contact Size	AWG	Wire Range (mm ²)	Plating
Male	Female				
SP12A1T	SS12A1T	2.5mm	14-12	2.5-3.5	Tin
SP20W1F	SS20W1F	20	22-20	.34-.50	Gold Flash
SP20W1G5	SS20W1G5	20	22-20	.34-.50	Gold 5μ"
SP20W1G10	SS20W1G10	20	22-20	.34-.50	Gold 10μ"
SP20W1G15	SS20W1G15	20	22-20	.34-.50	Gold 15μ"
SP20W1G30	SS20W1G30	20	22-20	.34-.50	Gold 30μ"
SP24W1F	SS24W1F	20	26-24	.14-.25	Gold Flash
SP24W1G5	SS24W1G5	20	26-24	.14-.25	Gold 5μ"
SP24W1G10	SS24W1G10	20	26-24	.14-.25	Gold 10μ"
SP24W1G15	SS24W1G15	20	26-24	.14-.25	Gold 15μ"
SP24W1G30	SS24W1G30	20	26-24	.14-.25	Gold 30μ"
SP28W1F	SS28W1F	20	30-28	.05-.08	Gold Flash
SP28W1G5	SS28W1G5	20	30-28	.05-.08	Gold 5μ"
SP28W1G10	SS28W1G10	20	30-28	.05-.08	Gold 10μ"
SP28W1G15	SS28W1G15	20	30-28	.05-.08	Gold 15μ"
SP28W1G30	SS28W1G30	20	30-28	.05-.08	Gold 30μ"

Tools



STEP 1
Choose Receptacle Style

STEP 2
Choose Plug Style

Jam Nut Receptacles



Square Flange Receptacles



Plugs



SEE TABLE ON NEXT PAGE FOR PART DETAILS

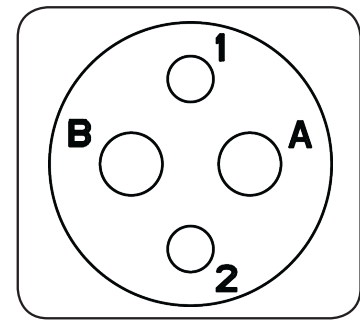
CONTACTS SOLD SEPARATELY SEE PAGE 96

Shell Size: 14 Number of Contacts: 4 (2+2)
Sealing: IP67 / IP69k Salt Spray: 500h

Contact Size: 2-16/2-2.5mm

**eco | mate® Aquarius
Standard Products**

- Suitable For Indoor and Outdoor Applications
- EMI/RMI Shielding Capability with Appropriate Backshell
- Operating Temperature: -40°C to +125°C
- 500 Mating Cycles
- Contacts and Cord Grips Ordered Separately
- UL ECBT2 Certified*



Insert Arrangement
Pin (Male) Faceview

Connector Part Numbers - Receptacles

PART NO#	Description	Temperature Range	Figure Drawing
RTS714N2P03	Receptacle, jam nut, 2+2 positions, size 14, pin contact, silicone rubber seal	-40 to 125°C	1
RTS714N2PHEC03	Receptacle, jam nut, 2+2 positions, size 14, pin contact, silicone rubber seal, endcap	-40 to 125°C	3
RTS714N2S03	Receptacle, jam nut, 2+2 positions, size 14, socket contact, silicone rubber seal	-40 to 125°C	2
RTS0114N2P03	Receptacle, square flange, 4 (2+2) positions, size 14, pin contact, silicone rubber seal	-40 to 125°C	4
RTS0114N2PHEC03	Receptacle, square flange, 4 (2+2) positions, size 14, pin contact, silicone rubber seal, endcap	-40 to 125°C	6
RTS0114N2S03	Receptacle, square flange, 4 (2+2) positions, size 14, socket contact, silicone rubber seal	-40 to 125°C	5
RTS0114N2SHEC03	Receptacle, square flange, 4 (2+2) positions, size 14, socket contact, silicone rubber seal, endcap	-40 to 125°C	7

Connector Part Numbers - Plugs

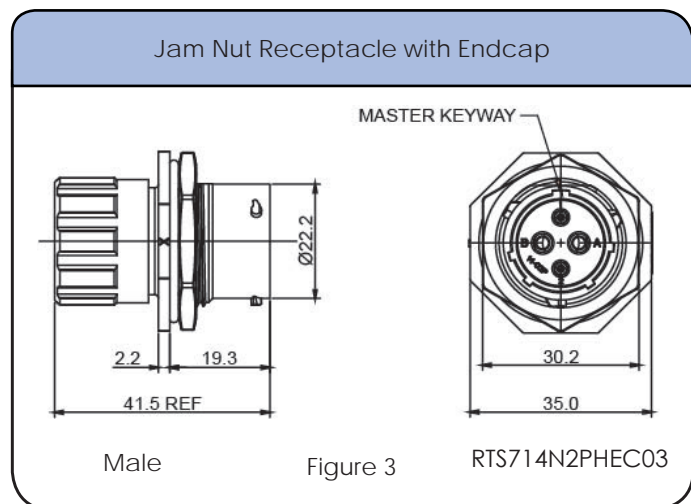
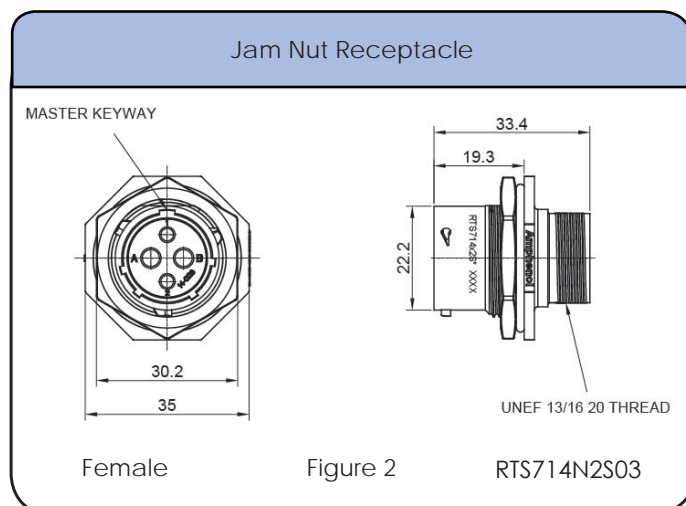
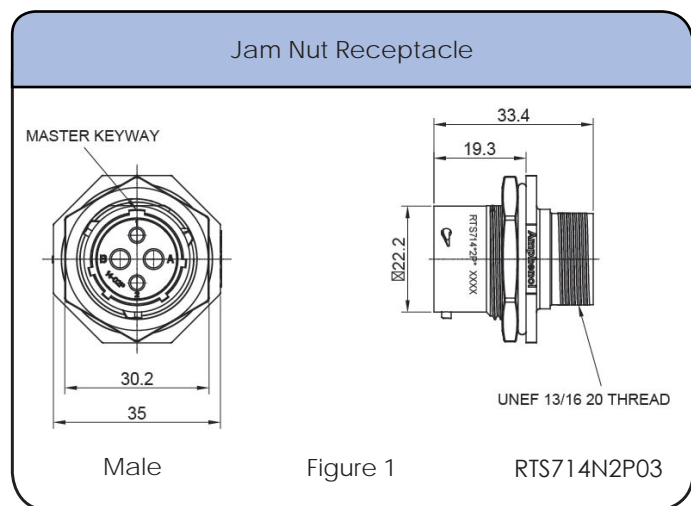
PART NO#	Description	Temperature Range	Figure Drawing
RTS6BS14N2P03	Straight plug with cord grip, 2+2 positions, size 14, pin contact, silicone rubber seal	-40 to 125°C	8
RTS6BS14N2PHEC03	Straight plug with end cap, 2+2 positions, size 14, pin contact, silicone rubber seal	-40 to 125°C	10
RTS6BS14N2S03	Straight plug with cord grip, 2+2 positions, size 14, socket contact, silicone rubber seal	-40 to 125°C	9
RTS6BS14N2SHEC03	Straight plug with end cap, 2+2 positions, size 14, socket contact, silicone rubber seal	-40 to 125°C	11

Contacts supplied separately see page 96

Shell Size: 14 Number of Contacts: 4 (2+2)
 Sealing: IP67 / IP69k Salt Spray: 500h

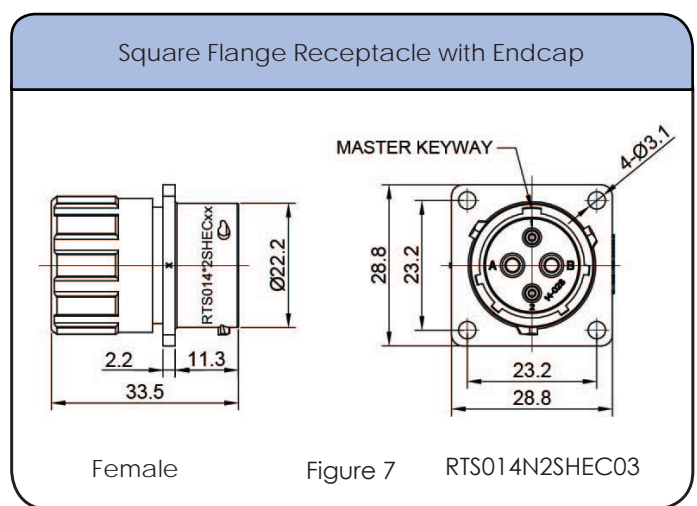
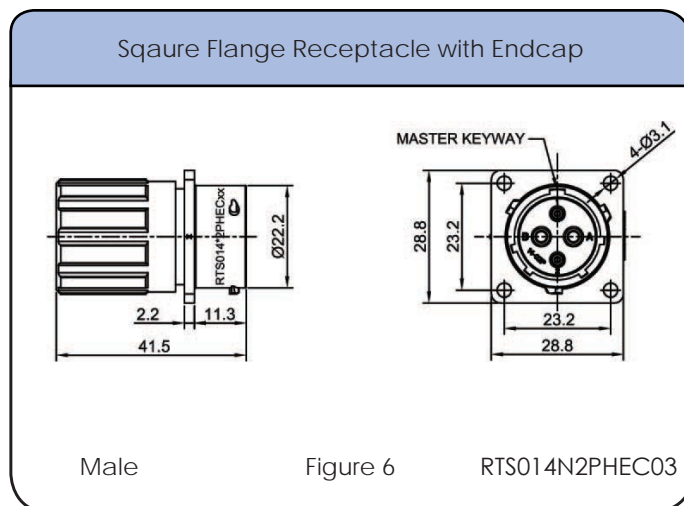
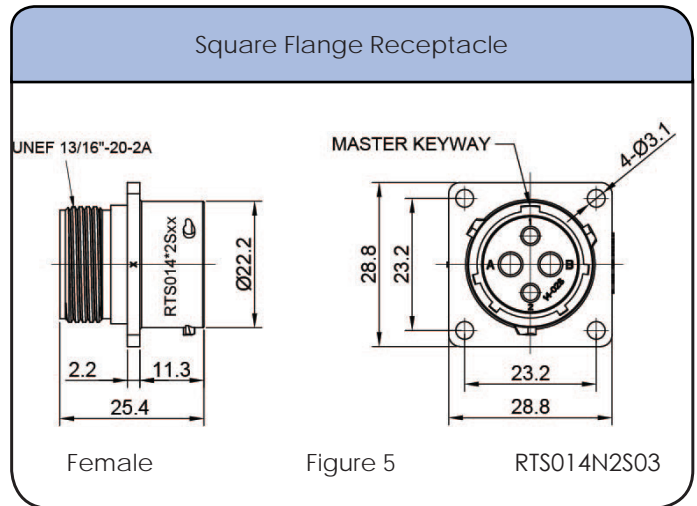
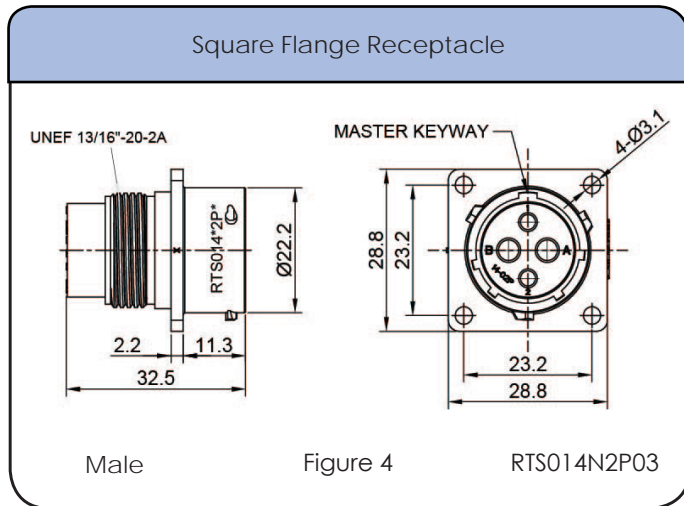
Contact Size: 2-16/2-2.5mm

Dimensions Jam Nut Receptacles



Shell Size: 14 Number of Contacts: 4 (2+2) Contact Size: 2-16/2-2.5mm
Sealing: IP67 / IP69k Salt Spray: 500h

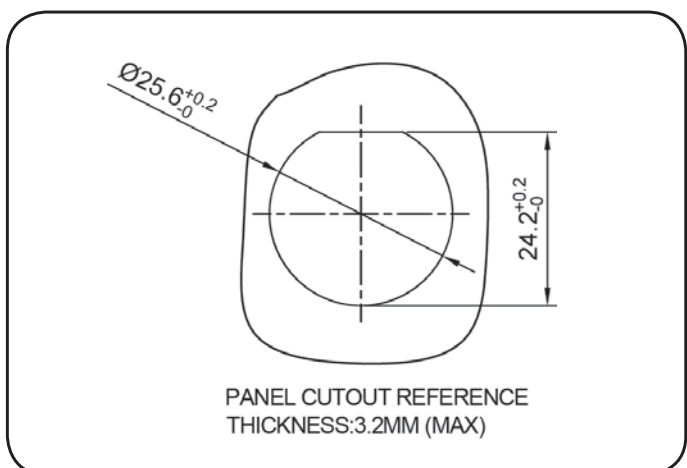
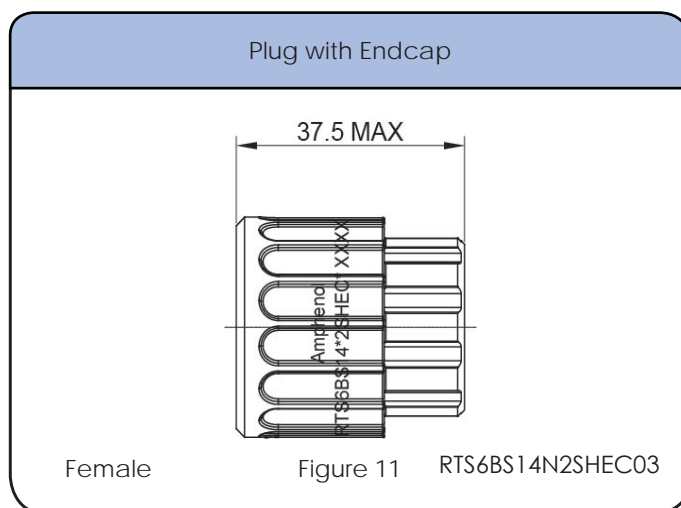
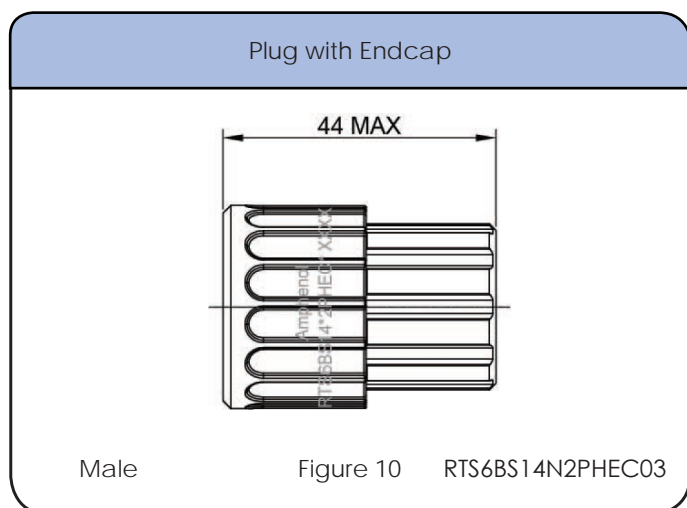
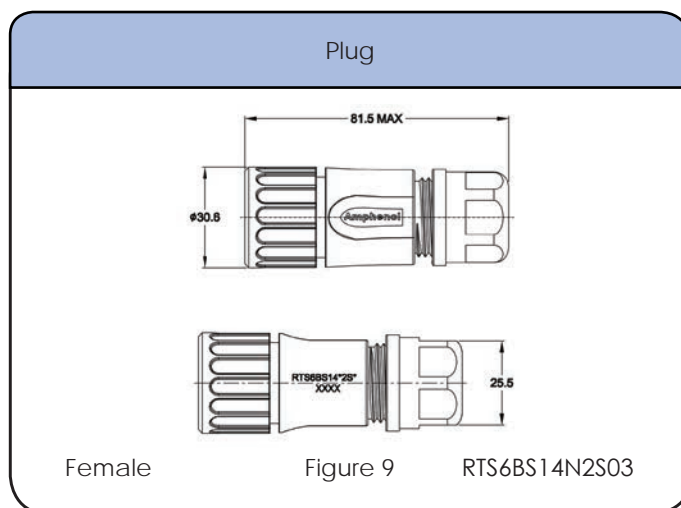
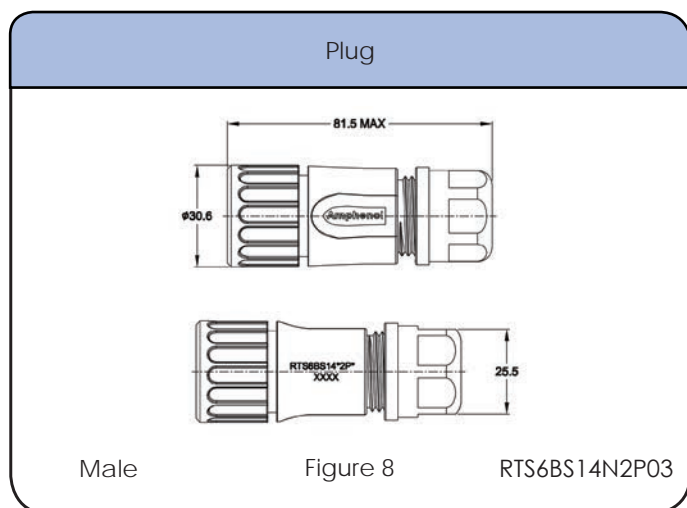
Dimensions Square Flange Receptacles



Shell Size: 14 Number of Contacts: 4 (2+2)
 Sealing: IP67 / IP69k Salt Spray: 500h

Contact Size: 2-16/2-2.5mm

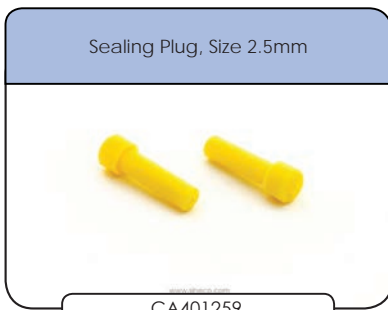
Dimensions / Plugs



Shell Size: 14 Number of Contacts: 4 (2+2)
Sealing: IP67 / IP69k Salt Spray: 500h

Contact Size: 2-16/2-2.5mm

Accessories



Shell Size: 14 Number of Contacts: 4 (2+2) Contact Size: 2-16/2-2.5mm
 Sealing: IP67 / IP69k Salt Spray: 500h

Contacts Machined



Crimp Contacts, Machined

Part Number		Contact Size	AWG	Wire Range (mm ²)	Plating
Male	Female				
MP14M23F	MS14M23F	16	14	2.0-2.5	Gold Flash
MP14M23G5	MS14M23G5	16	14	2.0-2.5	Gold 5μ"
MP14M23G10	MS14M23G10	16	14	2.0-2.5	Gold 10μ"
MP14M23G15	MS14M23G15	16	14	2.0-2.5	Gold 15μ"
MP14M23G30	MS14M23G30	16	14	2.0-2.5	Gold 30μ"
MP16M23F	MS16M23F	16	18-16	.75-1.5	Gold Flash
MP16M23G5	MS16M23G5	16	18-16	.75-1.5	Gold 5μ"
MP16M23G10	MS16M23G10	16	18-16	.75-1.5	Gold 10μ"
MP16M23G15	MS16M23G15	16	18-16	.75-1.5	Gold 15μ"
MP16M23G30	MS16M23G30	16	18-16	.75-1.5	Gold 30μ"
MP20M23F	MS20M23F	16	22-20	.34-.50	Gold Flash
MP20M23G5	MS20M23G5	16	22-20	.34-.50	Gold 5μ"
MP20M23G10	MS20M23G10	16	22-20	.34-.50	Gold 10μ"
MP20M23G15	MS20M23G15	16	22-20	.34-.50	Gold 15μ"
MP20M23G30	MS20M23G30	16	22-20	.34-.50	Gold 30μ"
MP24M23F	MS24M23F	16	26-24	.14-.25	Gold Flash
MP24M23G5	MS24M23G5	16	26-24	.14-.25	Gold 5μ"
MP24M23G10	MS24M23G10	16	26-24	.14-.25	Gold 10μ"
MP24M23G15	MS24M23G15	16	26-24	.14-.25	Gold 15μ"
MP24M23G30	MS24M23G30	16	26-24	.14-.25	Gold 30μ"

Tools



Shell Size: 14 Number of Contacts: 4 (2+2) Contact Size: 2-16/2-2.5mm
Sealing: IP67 / IP69k Salt Spray: 500h

Contacts Stamped & Formed



Crimp Contacts, Stamped & Formed

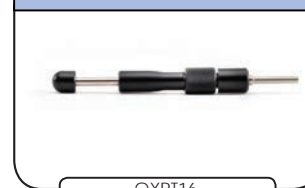
Part Number		Contact Size	AWG	Wire Range (mm ²)	Plating
Male	Female				
SP12A1T	SS12A1T	2.5mm	14-12	2.5-3.5	Tin
SP14M1F	SS14M1F	16	14	2.0-2.5	Gold Flash
SP14M1G5	SS14M1G5	16	14	2.0-2.5	Gold 5μ"
SP14M1G10	SS14M1G10	16	14	2.0-2.5	Gold 10μ"
SP14M1G15	SS14M1G15	16	14	2.0-2.5	Gold 15μ"
SP14M1G30	SS14M1G30	16	14	2.0-2.5	Gold 30μ"
SP16M1F	SS16M1F	16	18-16	.75-1.5	Gold Flash
SP16M1G5	SS16M1G5	16	18-16	.75-1.5	Gold 5μ"
SP16M1G10	SS16M1G10	16	18-16	.75-1.5	Gold 10μ"
SP16M1G15	SS16M1G15	16	18-16	.75-1.5	Gold 15μ"
SP16M1G30	SS16M1G30	16	18-16	.75-1.5	Gold 30μ"
SP20M1F	SS20M1F	16	22-20	.34-.50	Gold Flash
SP20M1G5	SS20M1G5	16	22-20	.34-.50	Gold 5μ"
SP20M1G10	SS20M1G10	16	22-20	.34-.50	Gold 10μ"
SP20M1G15	SS20M1G15	16	22-20	.34-.50	Gold 15μ"
SP20M1G30	SS20M1G30	16	22-20	.34-.50	Gold 30μ"
SP24M1F	SS24M1F	16	26-24	.14-.25	Gold Flash
SP24M1G5	SS24M1G5	16	26-24	.14-.25	Gold 5μ"
SP24M1G10	SS24M1G10	16	26-24	.14-.25	Gold 10μ"
SP24M1G15	SS24M1G15	16	26-24	.14-.25	Gold 15μ"
SP24M1G30	SS24M1G30	16	26-24	.14-.25	Gold 30μ"

Tools

Extraction Tool 2.5mm Contact



Contact Extraction Tool, #16 (Ø 1.6) Contact



Hand Tool, Stamped & Formed Contact, 2.5 mm



Hand Tool, Stamped & Formed Contact, Size16, 20-14AWG



Crimp Die for Stamped & Formed Contact



STEP 1
Choose Receptacle Style

STEP 2
Choose Plug Style

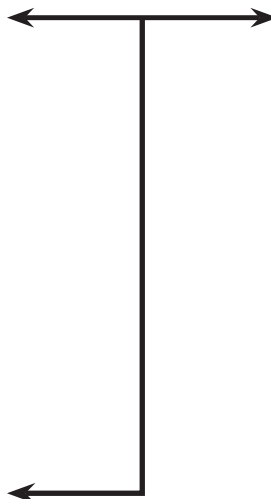
Jam Nut Receptacles



Square Flange Receptacles



Plug



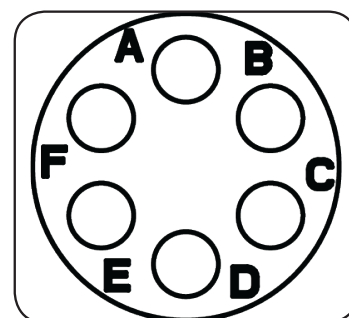
SEE TABLE ON NEXT PAGE FOR PART DETAILS

CONTACTS SOLD SEPARATELY SEE PAGE 104

Shell Size: 10 Number of Contacts: 6 Contact Size: 20
Sealing: IP67 / IP69k Salt Spray: 500h

eco | mate® Aquarius Standard Products

- Suitable For Indoor and Outdoor Applications
- EMI/RMI Shielding Capability with Appropriate Backshell
- Operating Temperature: -40°C to +125°C
- 500 Mating Cycles
- Contacts and Cord Grips Ordered Separately
- UL ECBT2 Certified*



Insert Arrangement
Pin (Male) Faceview

Connector Part Numbers - Receptacles

PART NO#	Description	Temperature Range	Figure Drawings
RTS710N6P03	Receptacle, jam nut, 6 positions, size 10, pin contact , silicone rubber seal	-40 to 125°C	1
RTS710N6S03	Receptacle, jam nut, 6 positions, size 10, socket contact , silicone rubber seal	-40 to 125°C	2
RTS710N6PHEC03	Receptacle, jam nut, 6 positions, size 10, pin contact , silicone rubber seal, with endcap	-40 to 125°C	3
RTS010N6P03	Receptacle, square flange, 6 positions, size 10, pin contact, silicone rubber seal	-40 to 125°C	4
RTS010N6PHEC03	Receptacle, square flange, 6 positions, size 10, pin contact, silicone rubber seal, endcap	-40 to 125°C	6
RTS010N6S03	Receptacle, square flange, 6 positions, size 10, socket contact, silicone rubber seal	-40 to 125°C	5
RTS010N6SHEC03	Receptacle, square flange, 6 positions, size 10, socket contact, silicone rubber seal, endcap	-40 to 125°C	7

Connector Part Numbers - Plugs

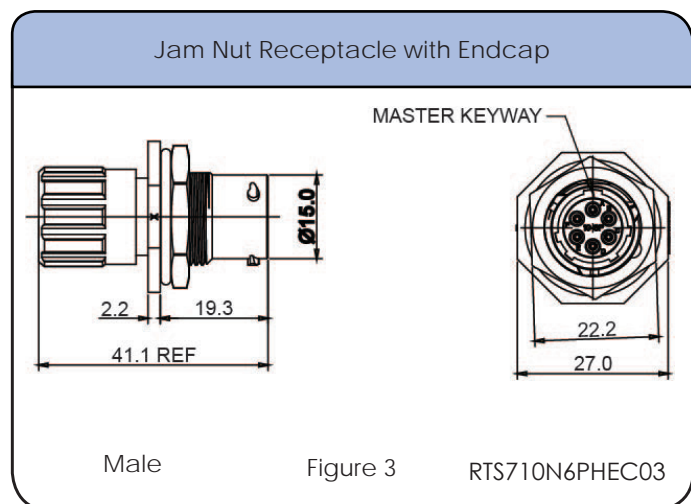
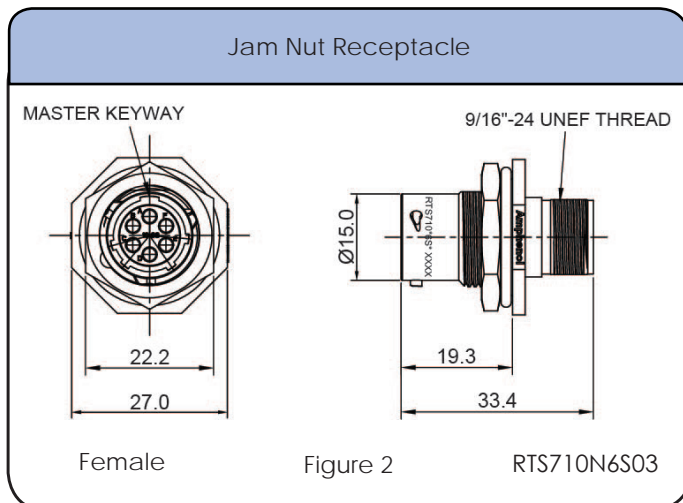
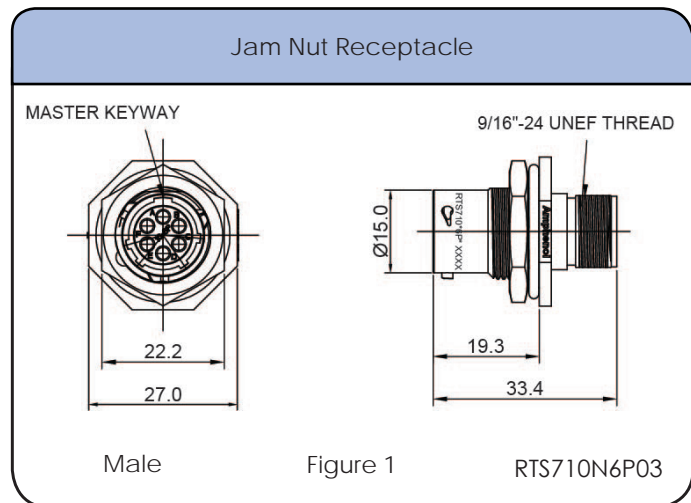
PART NO#	Description	Temperature Range	Figure Drawings
RTS6BS10N6P03	Straight plug with cord grip, 6 positions, size 10, pin contact , silicone rubber seal	-40 to 125°C	8
RTS6BS10N6PHEC03	Straight plug with endcap, 6 positions, size 10, pin contact , silicone rubber seal	-40 to 125°C	10
RTS6BS10N6S03	Straight plug with cord grip, 6 positions, size 10, socket contact , silicone rubber seal	-40 to 125°C	9
RTS6BS10N6SHEC03	Straight plug with endcap, 6 positions, size 10, socket contact , silicone rubber seal	-40 to 125°C	11

Contacts supplied separately see page 104

Shell Size: 10 Number of Contacts: 6
 Sealing: IP67 / IP69k Salt Spray: 500h

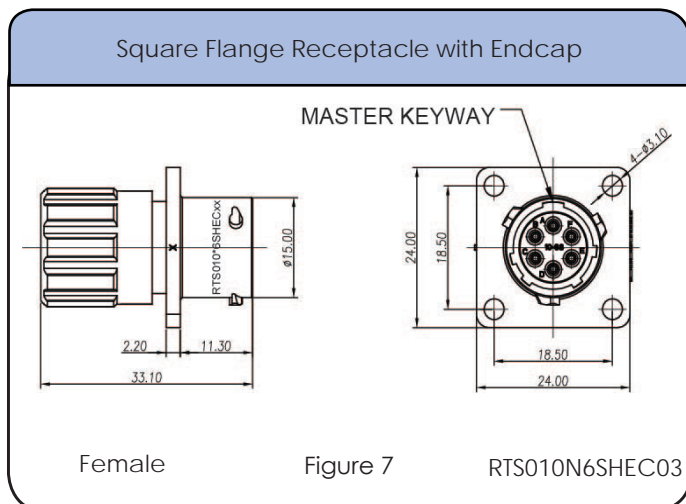
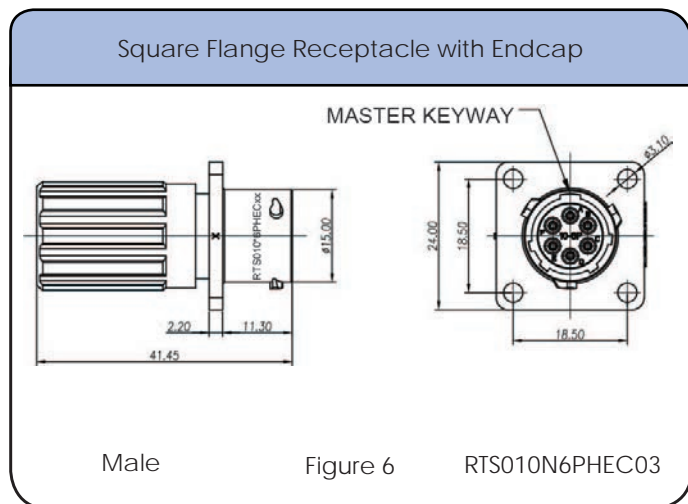
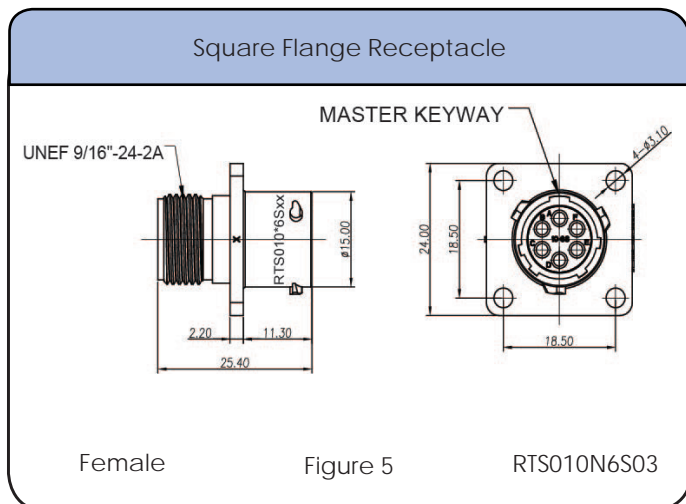
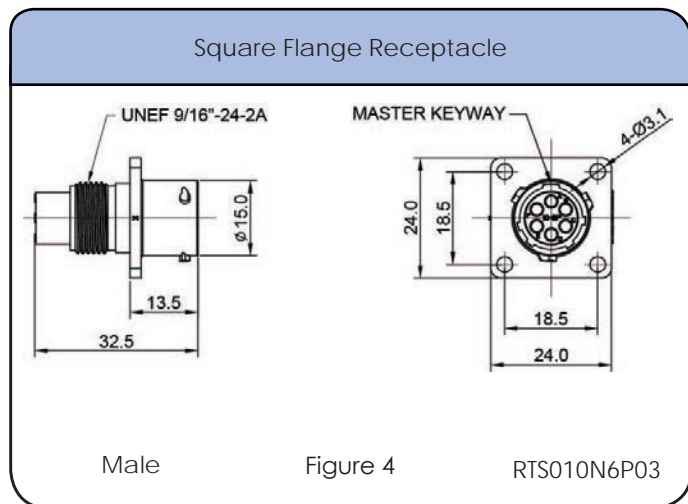
Contact Size: 20

Dimensions Jam Nut



Shell Size: 10 Number of Contacts: 6 Contact Size: 20
Sealing: IP67 / IP69k Salt Spray: 500h

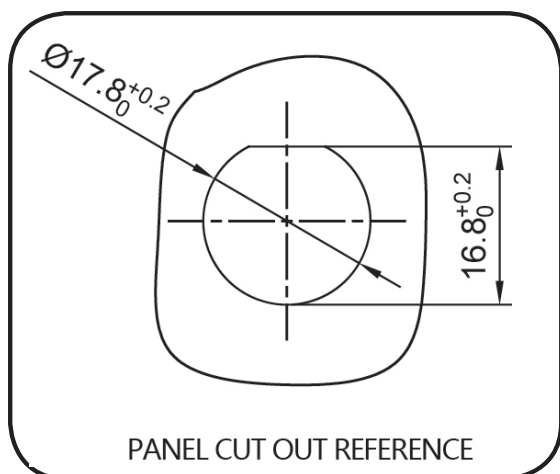
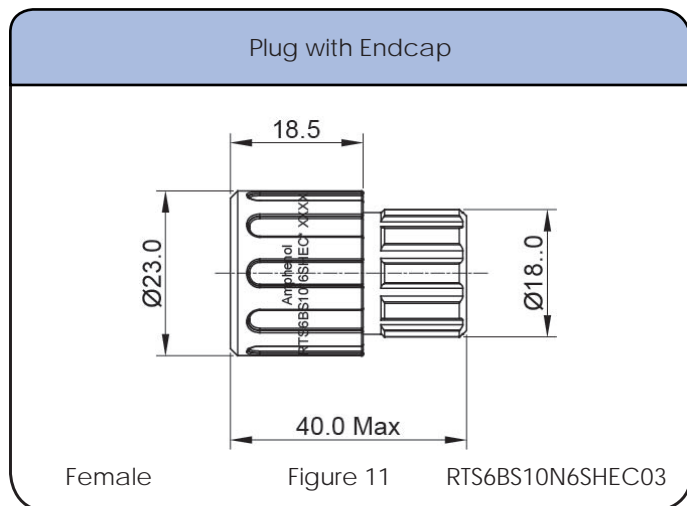
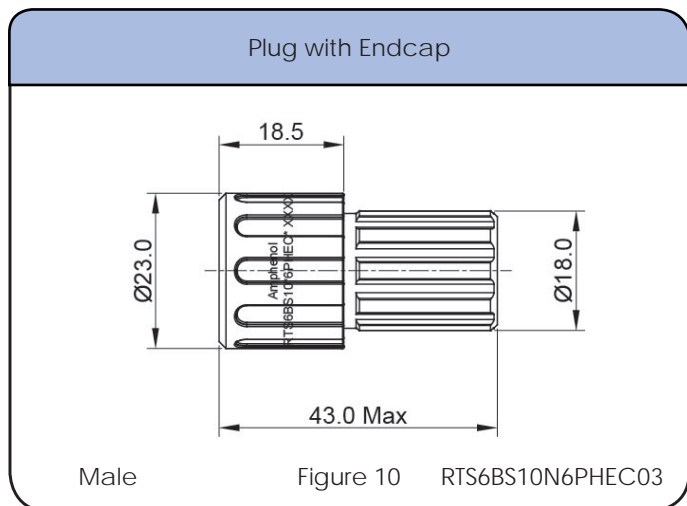
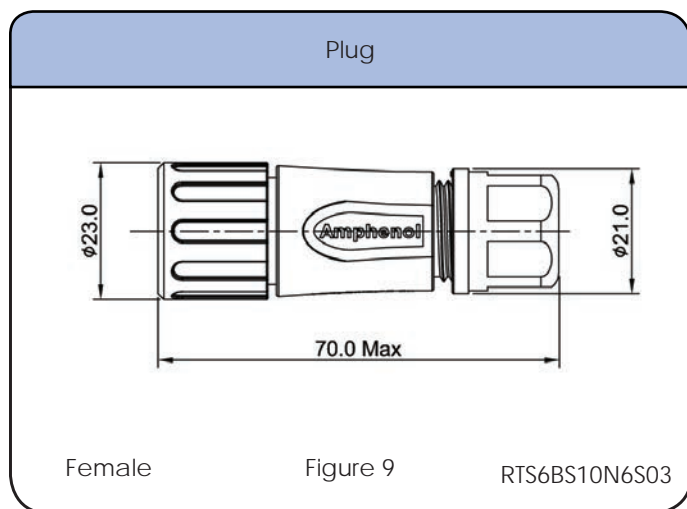
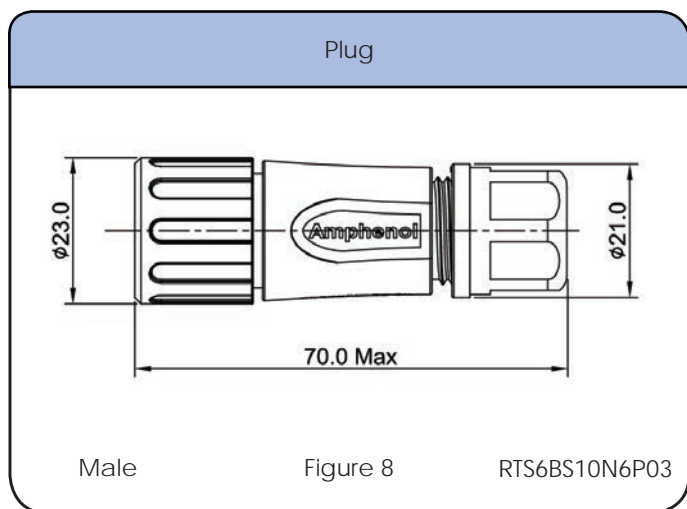
Dimensions Square Flange Receptacles



Shell Size: 10 Number of Contacts: 6
 Sealing: IP67 / IP69k Salt Spray: 500h

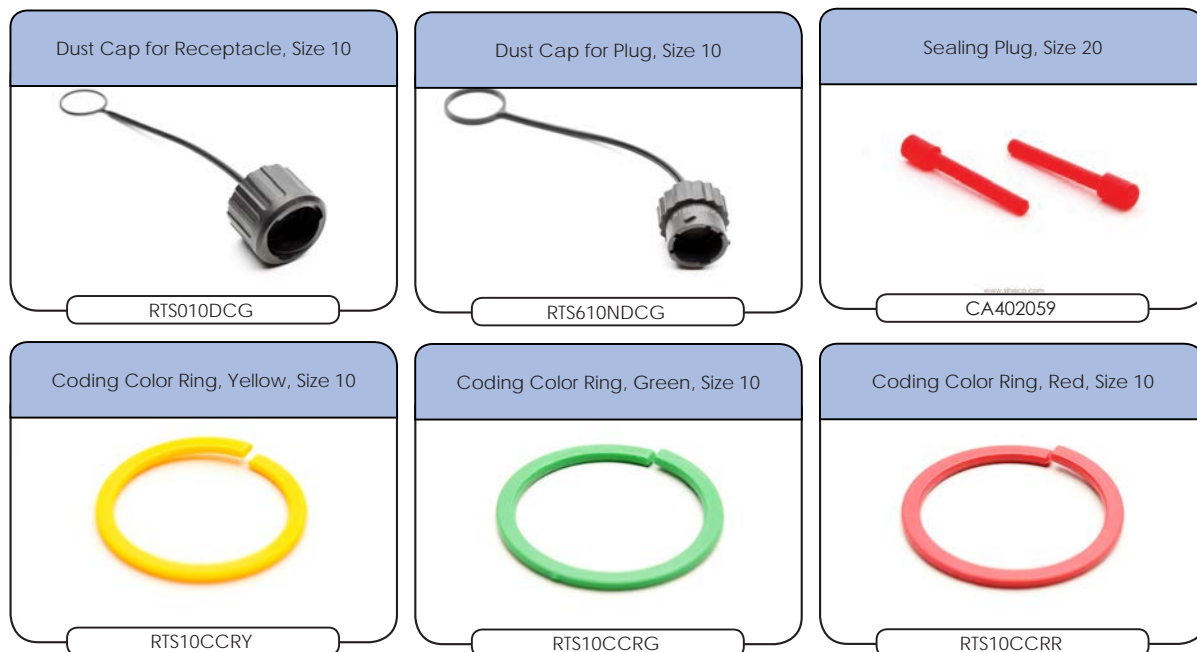
Contact Size: 20

Dimensions Plugs



Shell Size: 10 Number of Contacts: 6 Contact Size: 20
Sealing: IP67 / IP69k Salt Spray: 500h

Accessories



Shell Size: 10 Number of Contacts: 6 Contact Size: 20
 Sealing: IP67 / IP69k Salt Spray: 500h

Contacts Machined



Crimp Contacts, Machined

Part Number		AWG	Wire Ranget (mm ²)	Plating
Male	Female			
MP20W23F	MS20W23F	22-20	.34-.50	Gold Flash
MP20W23G5	MS20W23G5	22-20	.34-.50	Gold 5μ"
MP20W23G10	MS20W23G10	22-20	.34-.50	Gold 10μ"
MP20W23G15	MS20W23G15	22-20	.34-.50	Gold 15μ"
MP20W23G30	MS20W23G30	22-20	.34-.50	Gold 30μ"
MP24W23F	MS24W23F	26-24	.13-.25	Gold Flash
MP24W23G5	MS24W23G5	26-24	.13-.25	Gold 5μ"
MP24W23G10	MS24W23G10	26-24	.13-.25	Gold 10μ"
MP24W23G15	MS24W23G15	26-24	.13-.25	Gold 15μ"
MP24W23G30	MS24W23G30	26-24	.13-.25	Gold 30μ"
MP28W23F	MS28W23F	30-28	.05-.08	Gold Flash
MP28W23G5	MS28W23G5	30-28	.05-.08	Gold 5μ"
MP28W23G10	MS28W23G10	30-28	.05-.08	Gold 10μ"
MP28W23G15	MS28W23G15	30-28	.05-.08	Gold 15μ"
MP28W23G30	MS28W23G30	30-28	.05-.08	Gold 30μ"

Tools



Shell Size: 10 Number of Contacts: 6 Contact Size: 20
Sealing: IP67 / IP69k Salt Spray: 500h

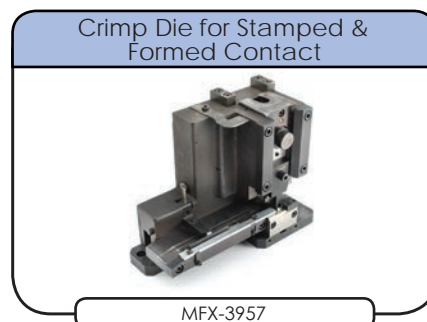
Contacts Stamped & Formed



Crimp Contacts, Stamped & Formed

Part Number		AWG	Wire Range (mm ²)	Plating
Male	Female			
SP20W1F	SS20W1F	22-20	.34-.50	Gold Flash
SP20W1G5	SS20W1G5	22-20	.34-.50	Gold 5μ"
SP20W1G10	SS20W1G10	22-20	.34-.50	Gold 10μ"
SP20W1G15	SS20W1G15	22-20	.34-.50	Gold 15μ"
SP20W1G30	SS20W1G30	22-20	.34-.50	Gold 30μ"
SP24W1F	SS24W1F	26-24	.14-.25	Gold Flash
SP24W1G5	SS24W1G5	26-24	.14-.25	Gold 5μ"
SP24W1G10	SS24W1G10	26-24	.14-.25	Gold 10μ"
SP24W1G15	SS24W1G15	26-24	.14-.25	Gold 15μ"
SP24W1G30	SS24W1G30	26-24	.14-.25	Gold 30μ"
SP28W1F	SS28W1F	30-28	.05-.08	Gold Flash
SP28W1G5	SS28W1G5	30-28	.05-.08	Gold 5μ"
SP28W1G10	SS28W1G10	30-28	.05-.08	Gold 10μ"
SP28W1G15	SS28W1G15	30-28	.05-.08	Gold 15μ"
SP28W1G30	SS28W1G30	30-28	.05-.08	Gold 30μ"

Tools



STEP 1
Choose Receptacle Style

STEP 2
Choose Plug Style

Jam Nut Receptacles



Square Flange Receptacles



Plug



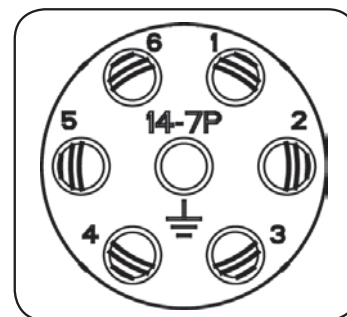
SEE TABLE ON NEXT PAGE FOR PART DETAILS

CONTACTS SOLD SEPARATELY SEE PAGE 110

Shell Size: 14 Number of Contacts: 7 Contact Size: 16
Sealing: IP67 / IP69k Salt Spray: 500h

eco | mate® Aquarius Standard Products

- Suitable For Indoor and Outdoor Applications
- EMI/RMI Shielding Capability with Appropriate Backshell
- Operating Temperature: -40°C to +125°C
- 500 Mating Cycles
- Contacts and Cord Grips Ordered Separately
- UL ECBT2 Certified*



Insert Arrangement
Pin (Male) Faceview

Connector Part Numbers - Receptacles

PART NO#	Description	Temperature Range	Figure Drawing
RTS714N7P03	Receptacle, jam nut, 7 positions, size 14, pin contact, silicone rubber seal	-40 to 125°C	1
RTS714N7S03	Receptacle, jam nut, 7 positions, size 14, socket contact, silicone rubber seal	-40 to 125°C	2
RTS014N7P03	Receptacle, square flange, 7 positions, size 14, pin contact, silicone rubber seal	-40 to 125°C	3
RTS014N7S03	Receptacle, square flange, 7 positions, size 14, socket contact, silicone rubber seal	-40 to 125°C	4

Connector Part Numbers - Plugs

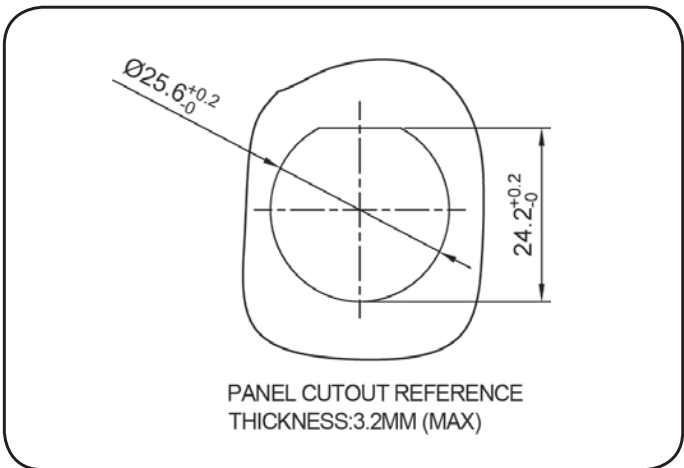
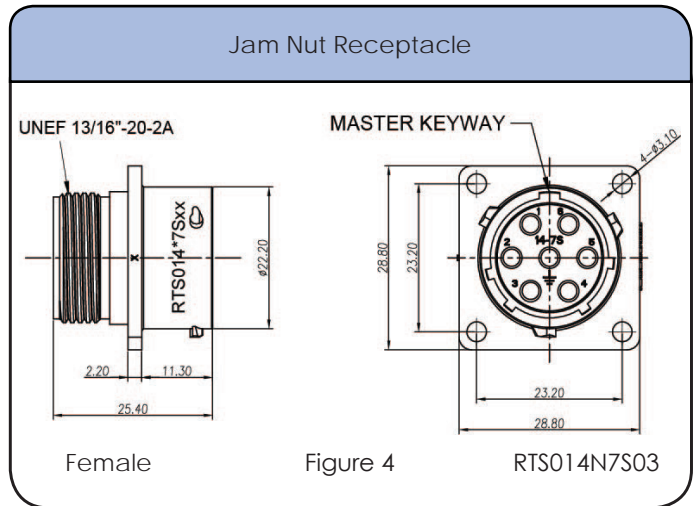
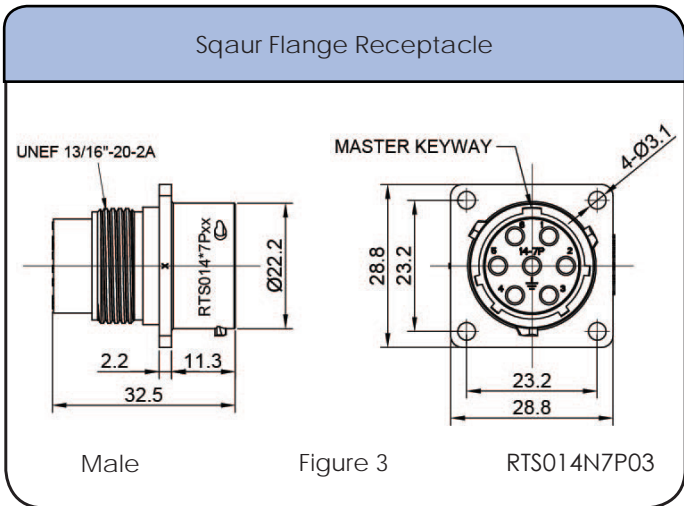
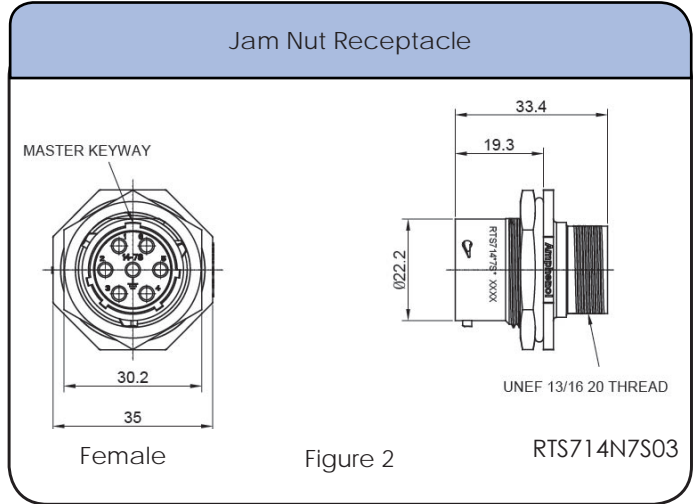
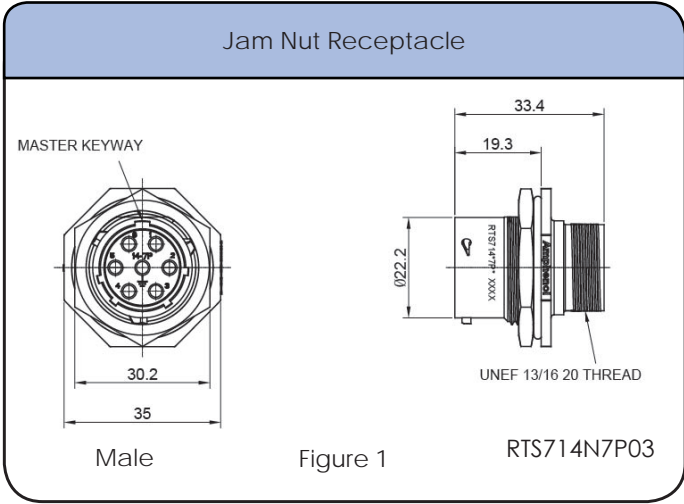
PART NO#	Description	Temperature Range	Figure Drawing
RTS6BS14N7P03	Straight plug with cord grip, 7 positions, size 14, pin contact, silicone rubber seal	-40 to 125°C	5
RTS6BS14N7S03	Straight plug with cord grip, 7 positions, size 14, socket contact, silicone rubber seal	-40 to 125°C	6

Contacts supplied separately see page 110

Shell Size: 14 Number of Contacts: 7 Sealing: IP67 / IP69k Salt Spray: 500h

Contact Size: 16

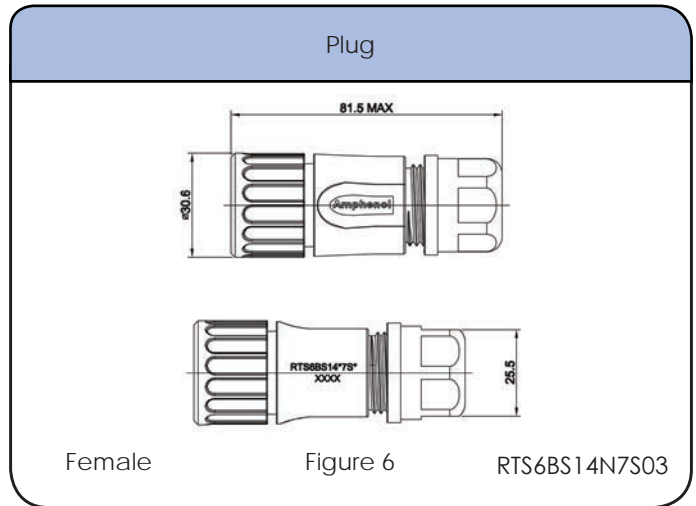
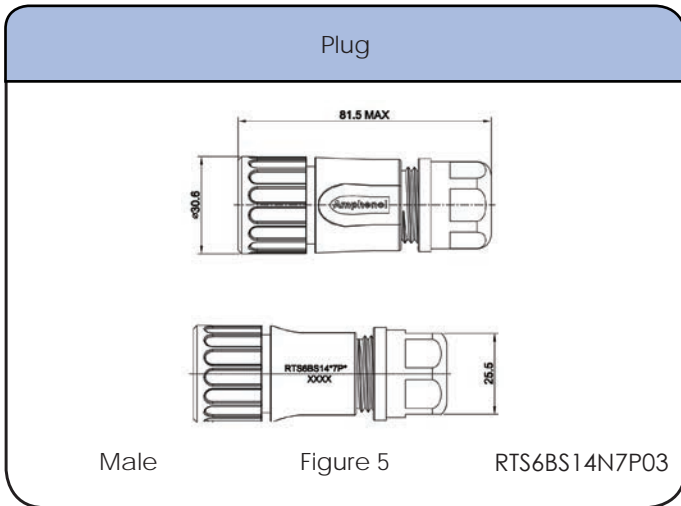
Dimensions Jam Nut and Square Flange Receptacles



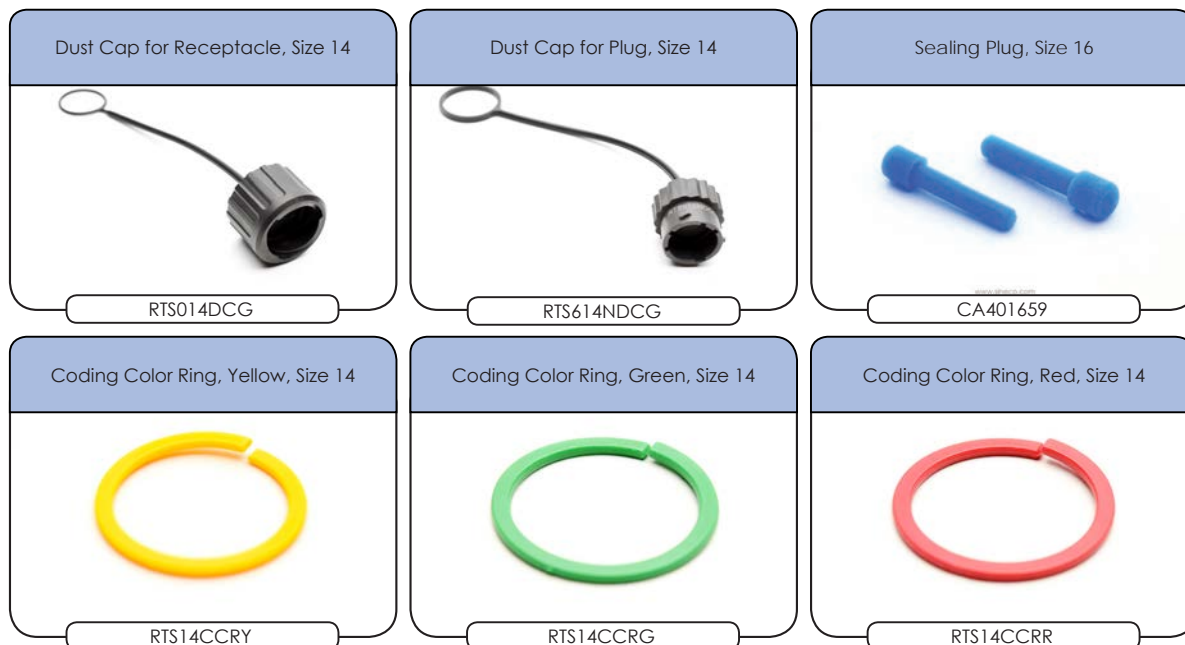
Shell Size: 14 Number of Contacts: 7
Sealing: IP67 / IP69k Salt Spray: 500h

Contact Size: 16

Dimensions Plugs



Accessories



Shell Size: 14 Number of Contacts: 7 Contact Size: 16
 Sealing: IP67 / IP69k Salt Spray: 500h

Contacts



Crimp Contacts, Machined

Part Number		AWG	Wire Range (mm ²)	Plating
Male	Female			
MP14M23F	MS14M23F	14	2.0-2.5	Gold Flash
MP14M23G5	MS14M23G5	14	2.0-2.5	Gold 5μ"
MP14M23G10	MS14M23G10	14	2.0-2.5	Gold 10μ"
MP14M23G15	MS14M23G15	14	2.0-2.5	Gold 15μ"
MP14M23G30	MS14M23G30	14	2.0-2.5	Gold 30μ"
MP16M23F	MS16M23F	18-16	.75-1.5	Gold Flash
MP16M23G5	MS16M23G5	18-16	.75-1.5	Gold 5μ"
MP16M23G10	MS16M23G10	18-16	.75-1.5	Gold 10μ"
MP16M23G15	MS16M23G15	18-16	.75-1.5	Gold 15μ"
MP16M23G30	MS16M23G30	18-16	.75-1.5	Gold 30μ"
MP20M23F	MS20M23F	22-20	.34-.50	Gold Flash
MP20M23G5	MS20M23G5	22-20	.34-.50	Gold 5μ"
MP20M23G10	MS20M23G10	22-20	.34-.50	Gold 10μ"
MP20M23G15	MS20M23G15	22-20	.34-.50	Gold 15μ"
MP20M23G30	MS20M23G30	22-20	.34-.50	Gold 30μ"
MP24M23F	MS24M23F	26-24	.14-.25	Gold Flash
MP24M23G5	MS24M23G5	26-24	.14-.25	Gold 5μ"
MP24M23G10	MS24M23G10	26-24	.14-.25	Gold 10μ"
MP24M23G15	MS24M23G15	26-24	.14-.25	Gold 15μ"
MP24M23G30	MS24M23G30	26-24	.14-.25	Gold 30μ"

Tools

Contact Extraction Tool,
#16 (Ø 1.6) Contact



QXRT16

Hand Crimp Tool for
Machined Contacts



MF3959

Pneumatic Crimp Tool for
Machined Contacts



MF3960

Shell Size: 14 Number of Contacts: 7 Contact Size: 16
Sealing: IP67 / IP69k Salt Spray: 500h

Contacts (con't)



Stamped & Formed Contacts

Crimp Contacts, Stamped & Formed

Part Number		AWG	Wire Range (mm ²)	Plating
Male	Female			
SP14M1F	SS14M1F	14	2.0-2.5	Gold Flash
SP14M1G5	SS14M1G5	14	2.0-2.5	Gold 5μ"
SP14M1G10	SS14M1G10	14	2.0-2.5	Gold 10μ"
SP14M1G15	SS14M1G15	14	2.0-2.5	Gold 15μ"
SP14M1G30	SS14M1G30	14	2.0-2.5	Gold 30μ"
SP16M1F	SS16M1F	18-16	.75-1.5	Gold Flash
SP16M1G5	SS16M1G5	18-16	.75-1.5	Gold 5μ"
SP16M1G10	SS16M1G10	18-16	.75-1.5	Gold 10μ"
SP16M1G15	SS16M1G15	18-16	.75-1.5	Gold 15μ"
SP16M1G30	SS16M1G30	18-16	.75-1.5	Gold 30μ"
SP20M1F	SS20M1F	22-20	.34-.50	Gold Flash
SP20M1G5	SS20M1G5	22-20	.34-.50	Gold 5μ"
SP20M1G10	SS20M1G10	22-20	.34-.50	Gold 10μ"
SP20M1G15	SS20M1G15	22-20	.34-.50	Gold 15μ"
SP20M1G30	SS20M1G30	22-20	.34-.50	Gold 30μ"
SP24M1F	SS24M1F	26-24	.14-.25	Gold Flash
SP24M1G5	SS24M1G5	26-24	.14-.25	Gold 5μ"
SP24M1G10	SS24M1G10	26-24	.14-.25	Gold 10μ"
SP24M1G15	SS24M1G15	26-24	.14-.25	Gold 15μ"
SP24M1G30	SS24M1G30	26-24	.14-.25	Gold 30μ"

Tools



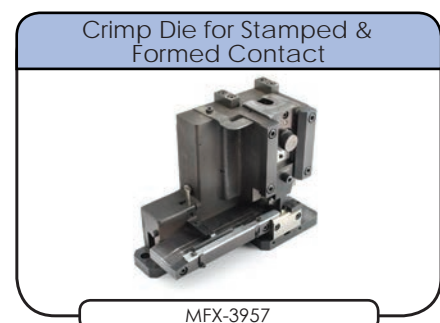
Contact Extraction Tool, #16 (Ø 1.6) Contact

QXRT16



Hand Tool, Stamped & Formed Contact, Size 16 20-14AWG

MFX-3954



Crimp Die for Stamped & Formed Contact

MFX-3957

STEP 1
Choose Receptacle Style

STEP 2
Choose Plug Style

Jam Nut Receptacles



RTS712N8P03



RTS712N8S03



RTS712N8PHEC03

Square Flange Receptacles



RTS012N8P03



RTS012N8S03



RTS012N8PHEC03



RTS012N8SHEC03

Plugs



RTS6BS12N8P03



RTS6BS12N8S03



RTS6BS12N8PHEC03



RTS6BS12N8SHEC03

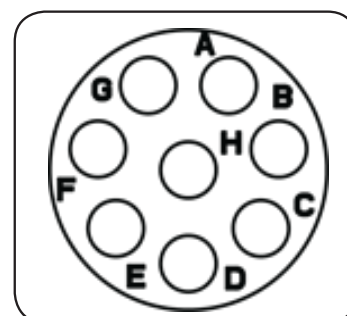
SEE TABLE ON NEXT PAGE FOR PART DETAILS

CONTACTS SOLD SEPARATELY SEE PAGE 118

Shell Size: 12 Number of Contacts: 8 Contact Size: 16
Sealing: IP67 / IP69k Salt Spray: 500h

**eco | mate® Aquarius
Standard Products**

- Suitable For Indoor and Outdoor Applications
- EMI/RMI Shielding Capability with Appropriate Backshell
- Operating Temperature: -40°C to +125°C
- 500 Mating Cycles
- Contacts and Cord Grips Ordered Separately
- UL ECBT2 Certified*



Insert Arrangement
Pin (Male) Faceview

Connector Part Numbers -Receptacles

PART NO#	Description	Temperature Range	Figure Drawing
RTS712N8P03	Receptacle, jam nut, 8 positions, size 12, pin contact, silicone rubber seal	-40 to 125°C	1
RTS712N8PHEC03	Receptacle, jam nut, 8 positions, size 12, pin contact, silicone rubber seal, endcap	-40 to 125°C	3
RTS712N8S03	Receptacle, jam nut, 8 positions, size 12, socket contact, silicone rubber seal	-40 to 125°C	2
RTS012N8P03	Receptacle, square flange, 8 positions, size 12, pin contact, silicone rubber seal	-40 to 125°C	4
RTS012N8PHEC03	Receptacle, square flange, 8 positions, size 12, pin contact, silicone rubber seal, endcap	-40 to 125°C	6
RTS012N8S03	Receptacle, square flange, 8 positions, size 12, socket contact, silicone rubber seal	-40 to 125°C	5
RTS012N8SHEC03	Receptacle, square flange, 8 positions, size 12, socket contact, silicone rubber seal, endcap	-40 to 125°C	7

Connector Part Numbers -Plugs

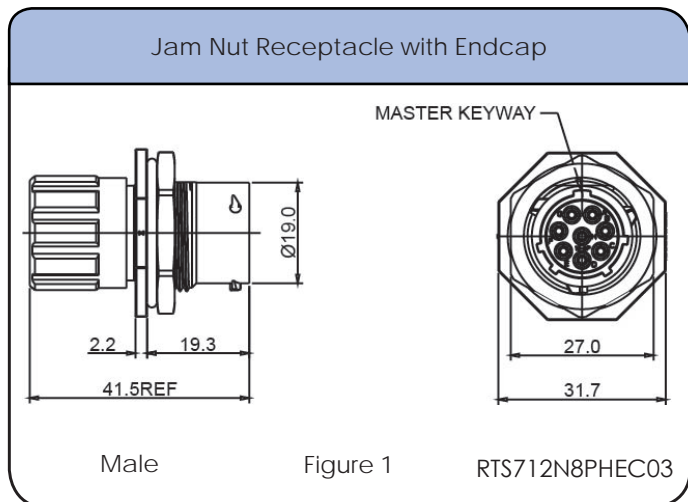
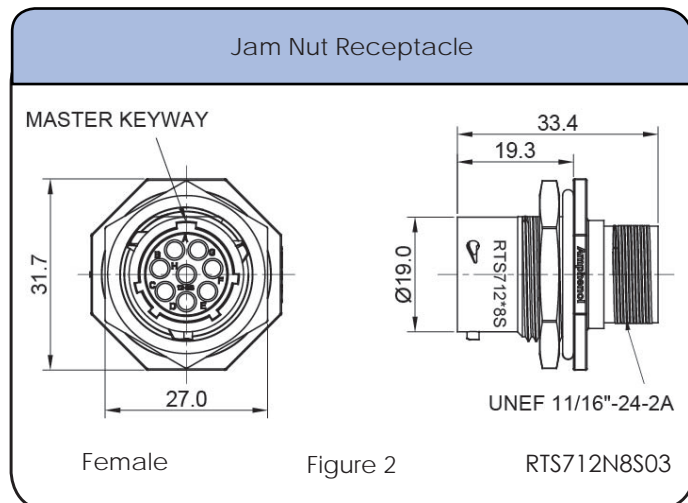
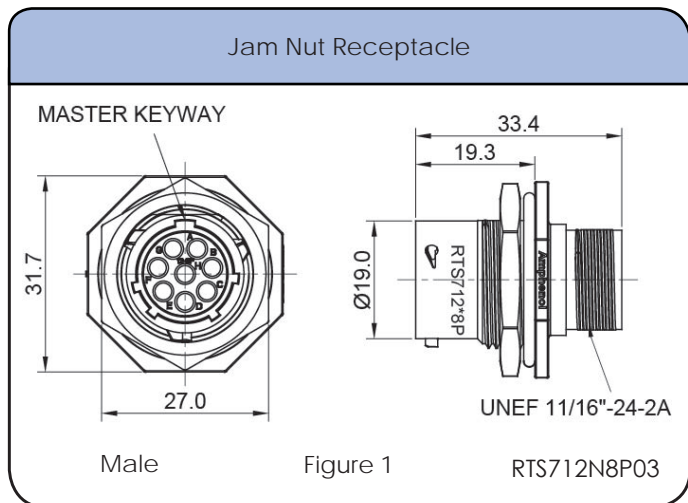
PART NO#	Description	Temperature Range	Figure Drawing
RTS6BS12N8P03	Straight plug with cord grip, 8 positions, size 12, pin contact, silicone rubber seal	-40 to 125°C	8
RTS6BS12N8PHEC03	Straight plug with end cap, 8 positions, size 12, pin contact, silicone rubber seal	-40 to 125°C	10
RTS6BS12N8S03	Straight plug with cord grip, 8 positions, size 12, socket contact, silicone rubber seal	-40 to 125°C	9
RTS6BS12N8SHEC03	Straight plug with end cap, 8 positions, size 12, socket contact, silicone rubber seal	-40 to 125°C	11

Contacts supplied separately see page 118

Shell Size: 12 Number of Contacts: 8
 Sealing: IP67 / IP69k Salt Spray: 500h

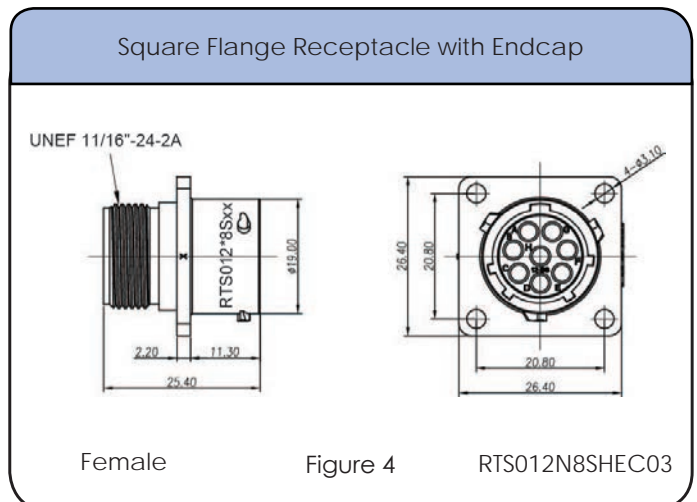
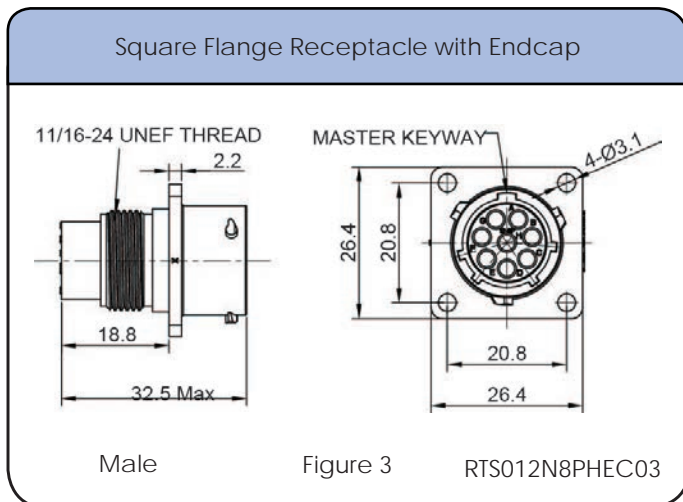
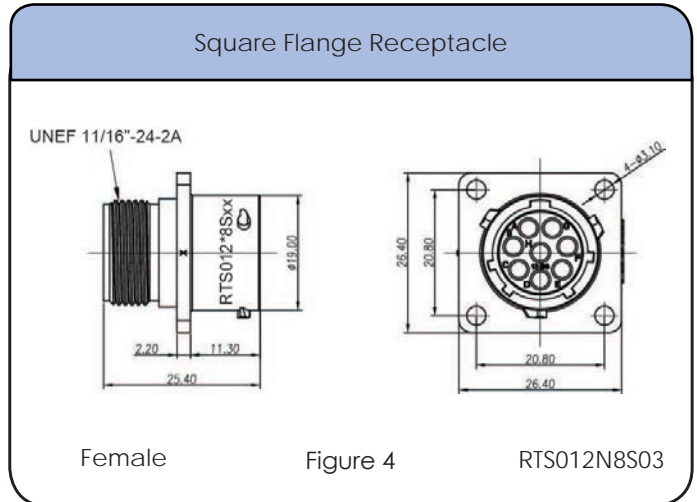
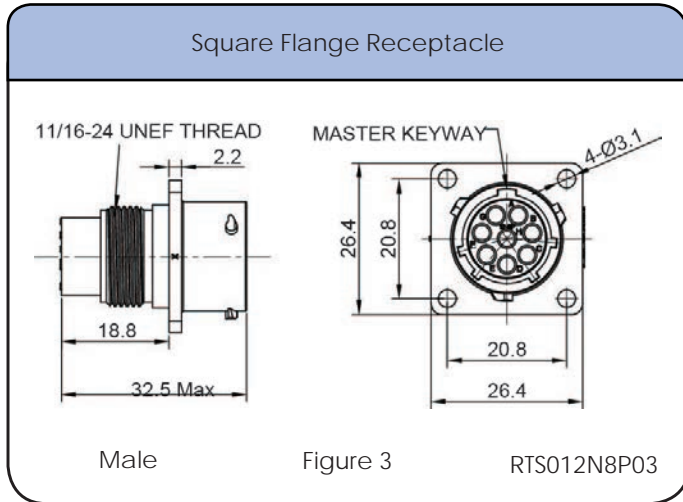
Contact Size: 16

Dimensions Jam Nut Receptacles



Shell Size: 12 Number of Contacts: 8 Contact Size: 16
Sealing: IP67 / IP69k Salt Spray: 500h

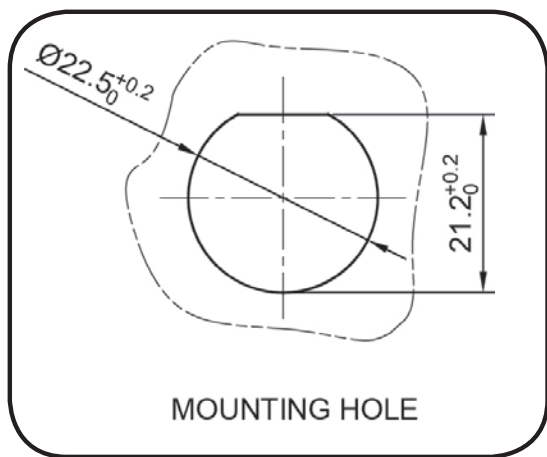
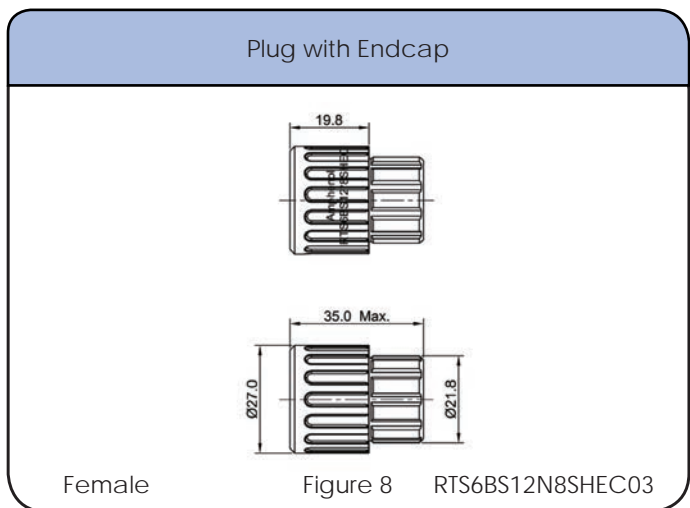
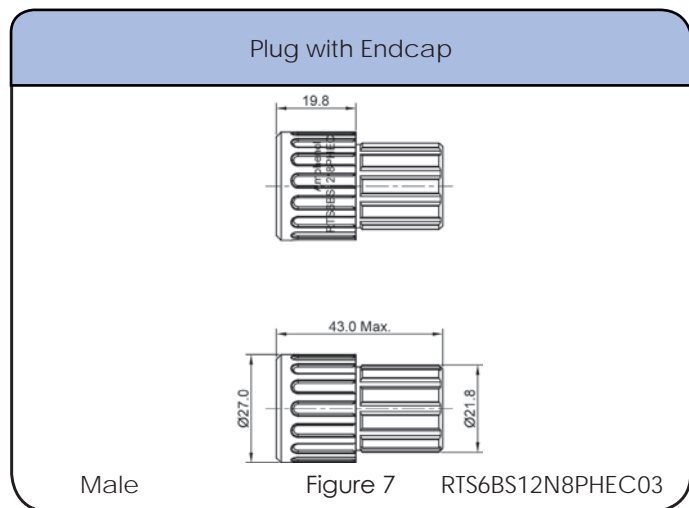
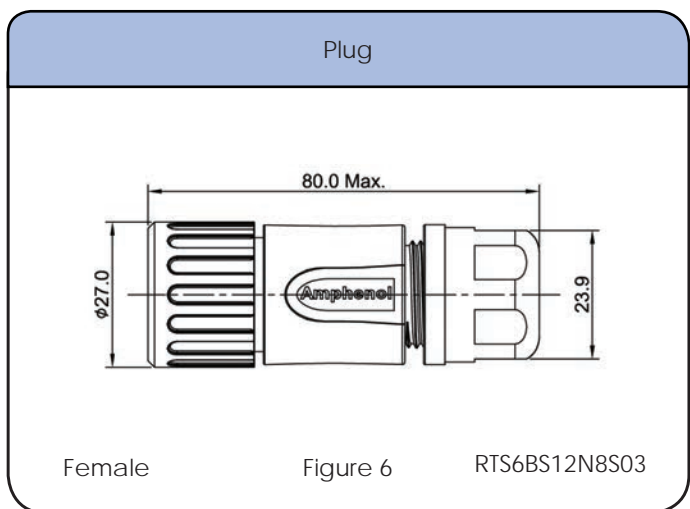
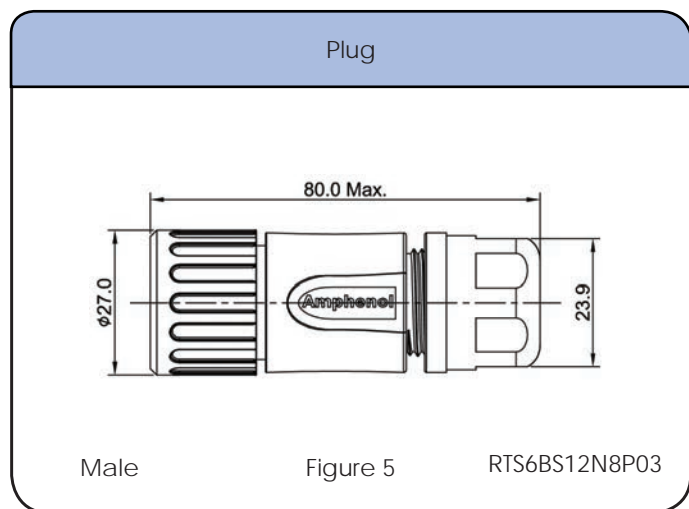
Dimensions Square Flange Receptacles



Shell Size: 12 Number of Contacts: 8
 Sealing: IP67 / IP69k Salt Spray: 500h

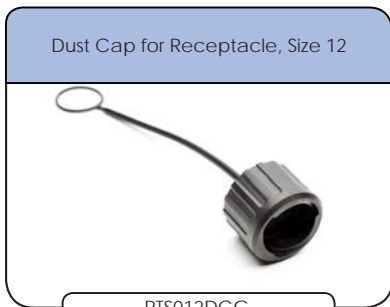
Contact Size: 16

Dimensions Plugs



Shell Size: 12 Number of Contacts: 8 Contact Size: 16
Sealing: IP67 / IP69k Salt Spray: 500h

Accessories



Shell Size: 12 Number of Contacts: 8 Contact Size: 16
 Sealing: IP67 / IP69k Salt Spray: 500h

Contacts Machined



Crimp Contacts, Machined

Part Number		AWG	Wire Range (mm ²)	Plating
Male	Female			
MP14M23F	MS14M23F	14	2.0-2.5	Gold Flash
MP14M23G5	MS14M23G5	14	2.0-2.5	Gold 5μ"
MP14M23G10	MS14M23G10	14	2.0-2.5	Gold 10μ"
MP14M23G15	MS14M23G15	14	2.0-2.5	Gold 15μ"
MP14M23G30	MS14M23G30	14	2.0-2.5	Gold 30μ"
MP16M23F	MS16M23F	18-16	.75-1.5	Gold Flash
MP16M23G5	MS16M23G5	18-16	.75-1.5	Gold 5μ"
MP16M23G10	MS16M23G10	18-16	.75-1.5	Gold 10μ"
MP16M23G15	MS16M23G15	18-16	.75-1.5	Gold 15μ"
MP16M23G30	MS16M23G30	18-16	.75-1.5	Gold 30μ"
MP20M23F	MS20M23F	22-20	.34-.50	Gold Flash
MP20M23G5	MS20M23G5	22-20	.34-.50	Gold 5μ"
MP20M23G10	MS20M23G10	22-20	.34-.50	Gold 10μ"
MP20M23G15	MS20M23G15	22-20	.34-.50	Gold 15μ"
MP20M23G30	MS20M23G30	22-20	.34-.50	Gold 30μ"
MP24M23F	MS24M23F	26-24	.14-.25	Gold Flash
MP24M23G5	MS24M23G5	26-24	.14-.25	Gold 5μ"
MP24M23G10	MS24M23G10	26-24	.14-.25	Gold 10μ"
MP24M23G15	MS24M23G15	26-24	.14-.25	Gold 15μ"
MP24M23G30	MS24M23G30	26-24	.14-.25	Gold 30μ"

Tools



Shell Size: 12 Number of Contacts: 8 Contact Size: 16
Sealing: IP67 / IP69k Salt Spray: 500h

Contacts Stamped & Formed



Crimp Contacts, Stamped & Formed

Part Number		AWG	Wire Range (mm ²)	Plating
Male	Female			
SP14M1F	SS14M1F	14	2.0-2.5	Gold Flash
SP14M1G5	SS14M1G5	14	2.0-2.5	Gold 5μ"
SP14M1G10	SS14M1G10	14	2.0-2.5	Gold 10μ"
SP14M1G15	SS14M1G15	14	2.0-2.5	Gold 15μ"
SP14M1G30	SS14M1G30	14	2.0-2.5	Gold 30μ"
SP16M1F	SS16M1F	18-16	.75-1.5	Gold Flash
SP16M1G5	SS16M1G5	18-16	.75-1.5	Gold 5μ"
SP16M1G10	SS16M1G10	18-16	.75-1.5	Gold 10μ"
SP16M1G15	SS16M1G15	18-16	.75-1.5	Gold 15μ"
SP16M1G30	SS16M1G30	18-16	.75-1.5	Gold 30μ"
SP20M1F	SS20M1F	22-20	.34-.50	Gold Flash
SP20M1G5	SS20M1G5	22-20	.34-.50	Gold 5μ"
SP20M1G10	SS20M1G10	22-20	.34-.50	Gold 10μ"
SP20M1G15	SS20M1G15	22-20	.34-.50	Gold 15μ"
SP20M1G30	SS20M1G30	22-20	.34-.50	Gold 30μ"
SP24M1F	SS24M1F	26-24	.14-.25	Gold Flash
SP24M1G5	SS24M1G5	26-24	.14-.25	Gold 5μ"
SP24M1G10	SS24M1G10	26-24	.14-.25	Gold 10μ"
SP24M1G15	SS24M1G15	26-24	.14-.25	Gold 15μ"
SP24M1G30	SS24M1G30	26-24	.14-.25	Gold 30μ"

Tools



STEP 1
Choose Receptacle Style

STEP 2
Choose Plug Style

Jam Nut Receptacles



RTS714N8P03



RTS714N8S03



RTS714N8PHEC03

Square Flange Receptacles



RTS014N8P03



RTS014N8S03



RTS014N8PHEC03



RTS014N8SHEC03

Plugs



RTS6BS14N8P03



RTS6BS14N8S03



RTS6BS14N8PHEC03



RTS6BS14N8SHEC03

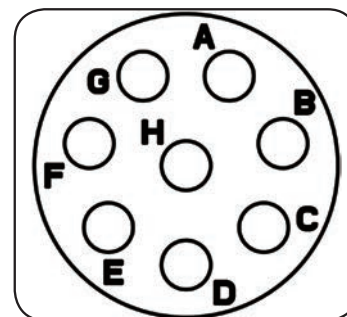
SEE TABLE ON NEXT PAGE FOR PART DETAILS

CONTACTS SOLD SEPARATELY SEE PAGE 126

Shell Size: 14 Number of Contacts: 8 Contact Size: 16
Sealing: IP67 / IP69k Salt Spray: 500h

eco | mate® Aquarius
Standard Products

- Suitable For Indoor and Outdoor Applications
- EMI/RMI Shielding Capability with Appropriate Backshell
- Operating Temperature: -40°C to +125°C
- 500 Mating Cycles
- Contacts and Cord Grips Ordered Separately
- UL ECBT2 Certified*



Insert Arrangement
Pin (Male) Faceview

Connector Part Numbers -Receptacles

PART NO#	Description	Temperature Range	Figure Drawing
RTS714N8P03	Receptacle, jam nut, 8 positions, size 14, pin contact, silicone rubber seal	-40 to 125°C	1
RTS714N8PHEC03	Receptacle, jam nut, 8 positions, size 14, pin contact, silicone rubber seal, with endcap	-40 to 125°C	3
RTS714N8S03	Receptacle, jam nut, 8 positions, size 14, for socket contact, silicone rubber seal	-40 to 125°C	2
RTS014N8P03	Receptacle, square flange, 8 positions, size 14, pin contact, silicone rubber seal	-40 to 125°C	4
RTS014N8PHEC03	Receptacle, square flange, 8 positions, size 14, pin contact, silicone rubber seal, endcap	-40 to 125°C	6
RTS014N8S03	Receptacle, square flange, 8 positions, size 14, socket contact, silicone rubber seal	-40 to 125°C	5
RTS014N8SHEC03	Receptacle, square flange, 8 positions, size 14, socket contact, silicone rubber seal, endcap	-40 to 125°C	7

Connector Part Numbers -Plugs

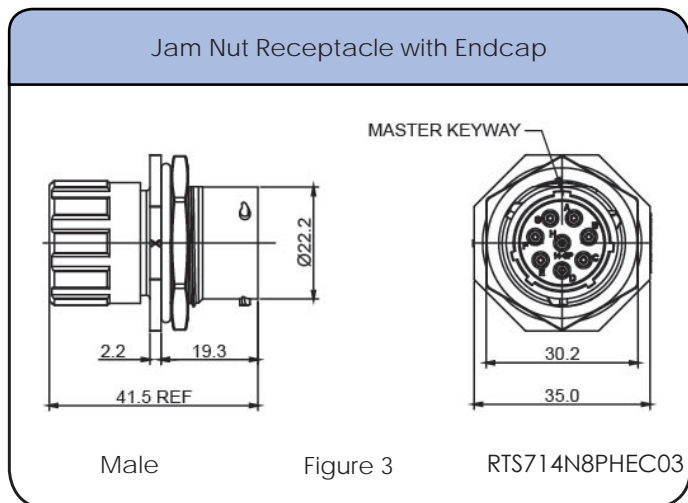
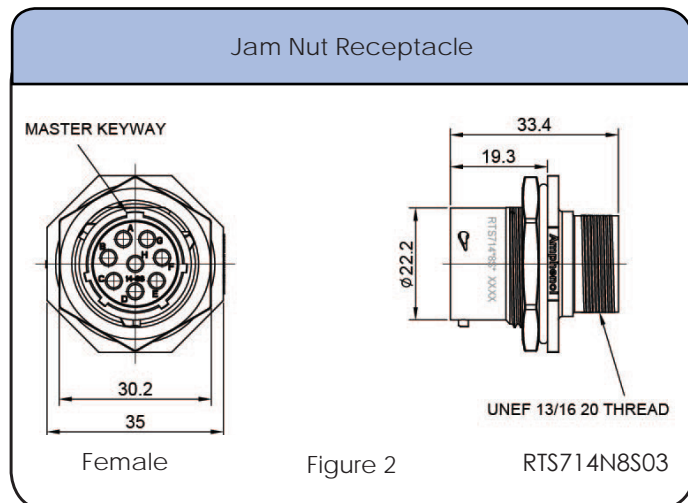
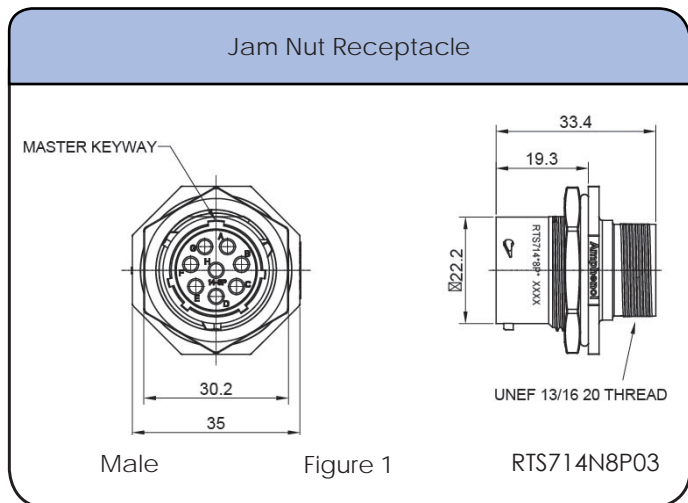
PART NO#	Description	Temperature Range	Figure Drawing
RTS6BS14N8P03	Straight plug with cord grip, 8 positions, size 14, pin contact, silicone rubber seal	-40 to 125°C	8
RTS6BS14N8PHEC03	Straight plug with end cap, 8 positions, size 14, pin contact, silicone rubber seal	-40 to 125°C	10
RTS6BS14N8S03	Straight plug with cord grip, 8 positions, size 14, socket contact, silicone rubber seal	-40 to 125°C	9
RTS6BS14N8SHEC03	Straight plug with end cap, 8 positions, size 14, socket contact, silicone rubber seal	-40 to 125°C	11

Contacts supplied separately see page 126

Shell Size: 14 Number of Contacts: 8
 Sealing: IP67 / IP69k Salt Spray: 500h

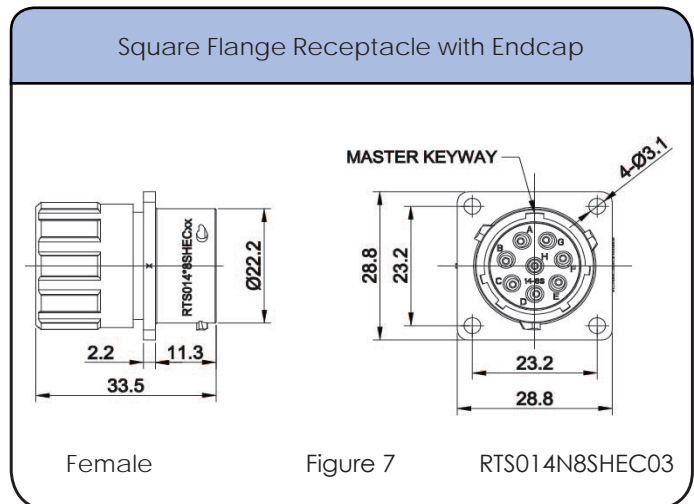
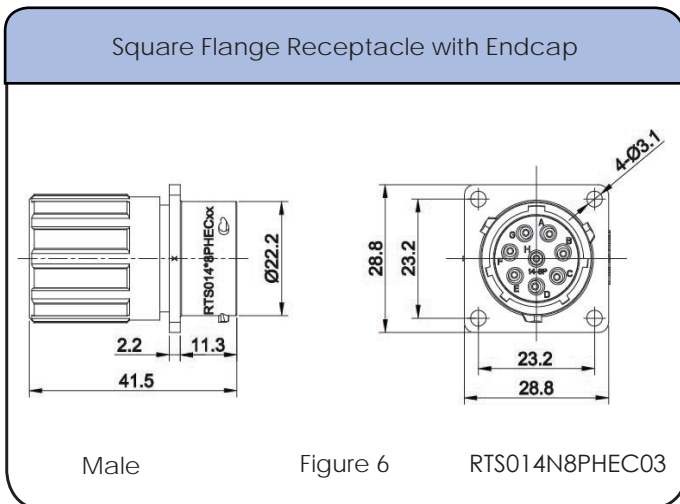
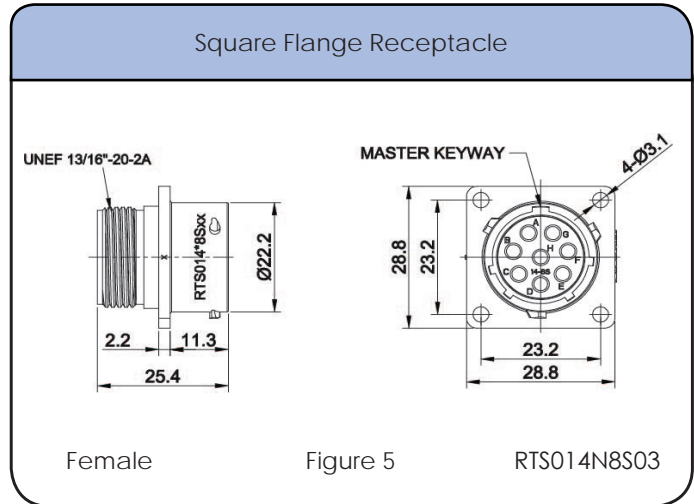
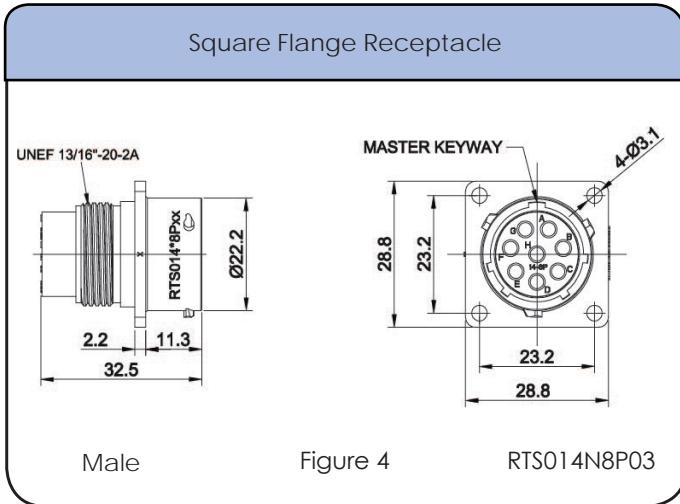
Contact Size: 16

Dimensions Jam Nut Receptacles



Shell Size: 14 Number of Contacts: 8 Contact Size: 16
Sealing: IP67 / IP69k Salt Spray: 500h

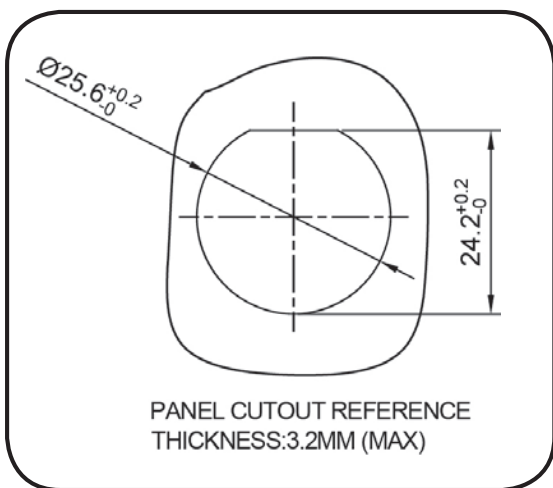
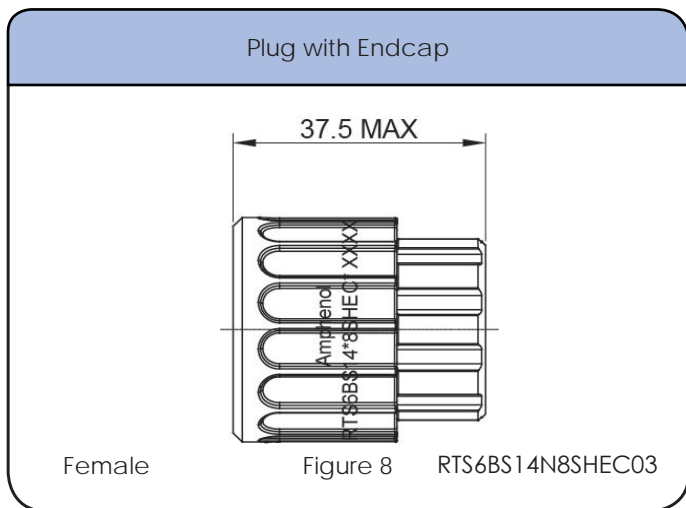
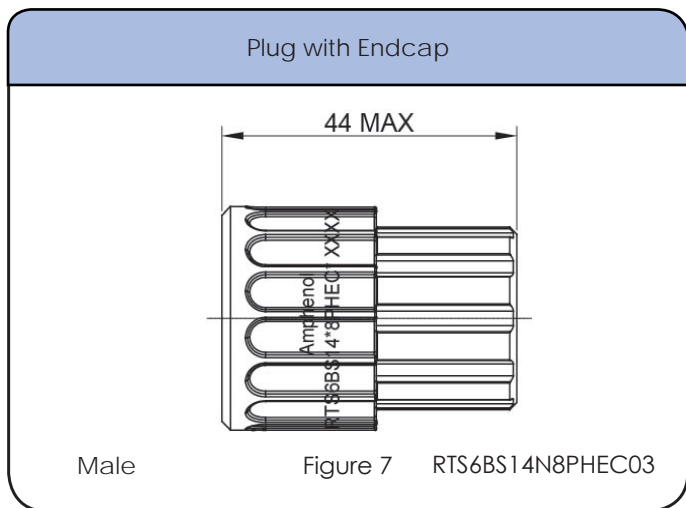
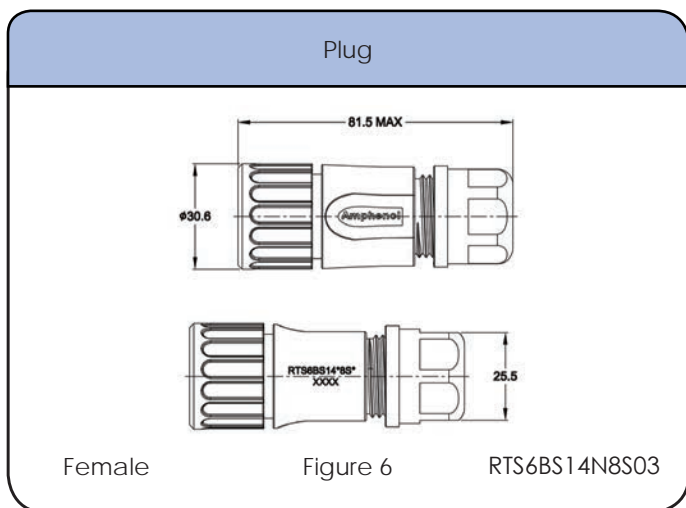
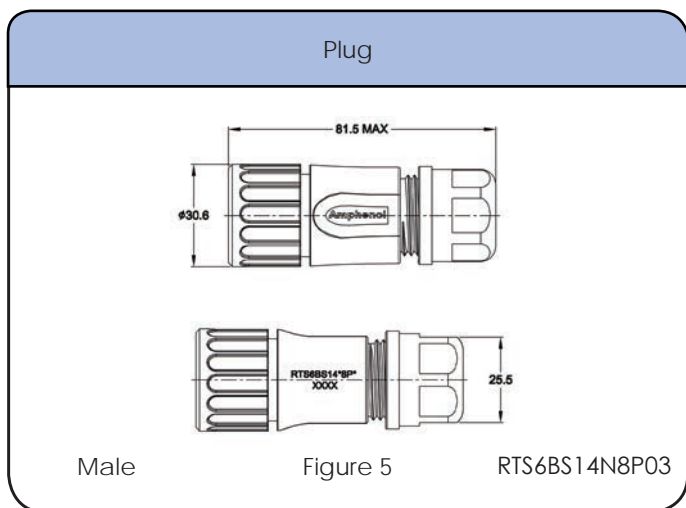
Dimensions Square Flange Receptacles



Shell Size: 14 Number of Contacts: 8
 Sealing: IP67 / IP69k Salt Spray: 500h

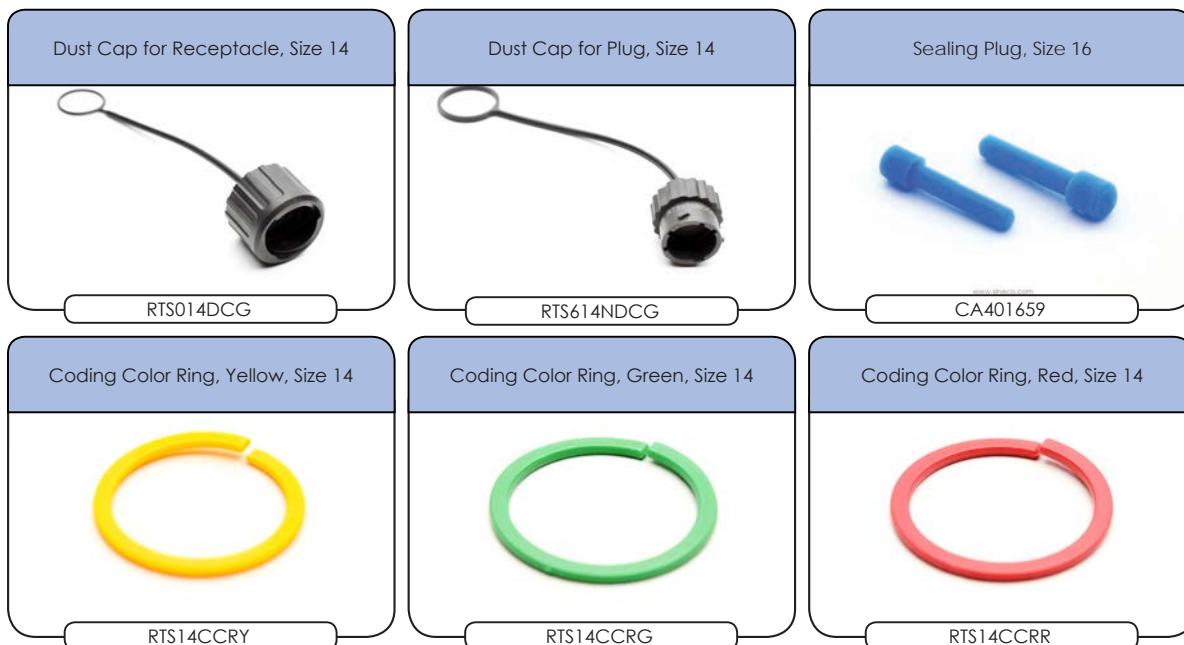
Contact Size: 16

Dimensions Plug



Shell Size: 14 Number of Contacts: 8 Contact Size: 16
Sealing: IP67 / IP69k Salt Spray: 500h

Accessories



Shell Size: 14 Number of Contacts: 8 Contact Size: 16
 Sealing: IP67 / IP69k Salt Spray: 500h

Contacts



Crimp Contacts, Machined

Part Number		AWG	Wire Range (mm ²)	Plating
Male	Female			
MP14M23F	MS14M23F	14	2.0-2.5	Gold Flash
MP14M23G5	MS14M23G5	14	2.0-2.5	Gold 5μ"
MP14M23G10	MS14M23G10	14	2.0-2.5	Gold 10μ"
MP14M23G15	MS14M23G15	14	2.0-2.5	Gold 15μ"
MP14M23G30	MS14M23G30	14	2.0-2.5	Gold 30μ"
MP16M23F	MS16M23F	18-16	.75-1.5	Gold Flash
MP16M23G5	MS16M23G5	18-16	.75-1.5	Gold 5μ"
MP16M23G10	MS16M23G10	18-16	.75-1.5	Gold 10μ"
MP16M23G15	MS16M23G15	18-16	.75-1.5	Gold 15μ"
MP16M23G30	MS16M23G30	18-16	.75-1.5	Gold 30μ"
MP20M23F	MS20M23F	22-20	.34-.50	Gold Flash
MP20M23G5	MS20M23G5	22-20	.34-.50	Gold 5μ"
MP20M23G10	MS20M23G10	22-20	.34-.50	Gold 10μ"
MP20M23G15	MS20M23G15	22-20	.34-.50	Gold 15μ"
MP20M23G30	MS20M23G30	22-20	.34-.50	Gold 30μ"
MP24M23F	MS24M23F	26-24	.14-.25	Gold Flash
MP24M23G5	MS24M23G5	26-24	.14-.25	Gold 5μ"
MP24M23G10	MS24M23G10	26-24	.14-.25	Gold 10μ"
MP24M23G15	MS24M23G15	26-24	.14-.25	Gold 15μ"
MP24M23G30	MS24M23G30	26-24	.14-.25	Gold 30μ"

Tools



Shell Size: 14 Number of Contacts: 8 Contact Size: 16
Sealing: IP67 / IP69k Salt Spray: 500h

Contacts (con't)



Stamped & Formed Contacts

Crimp Contacts, Stamped & Formed

Part Number		AWG	Wire Range (mm ²)	Plating
Male	Female			
SP14M1F	SS14M1F	14	2.0-2.5	Gold Flash
SP14M1G5	SS14M1G5	14	2.0-2.5	Gold 5μ"
SP14M1G10	SS14M1G10	14	2.0-2.5	Gold 10μ"
SP14M1G15	SS14M1G15	14	2.0-2.5	Gold 15μ"
SP14M1G30	SS14M1G30	14	2.0-2.5	Gold 30μ"
SP16M1F	SS16M1F	18-16	.75-1.5	Gold Flash
SP16M1G5	SS16M1G5	18-16	.75-1.5	Gold 5μ"
SP16M1G10	SS16M1G10	18-16	.75-1.5	Gold 10μ"
SP16M1G15	SS16M1G15	18-16	.75-1.5	Gold 15μ"
SP16M1G30	SS16M1G30	18-16	.75-1.5	Gold 30μ"
SP20M1F	SS20M1F	22-20	.34-.50	Gold Flash
SP20M1G5	SS20M1G5	22-20	.34-.50	Gold 5μ"
SP20M1G10	SS20M1G10	22-20	.34-.50	Gold 10μ"
SP20M1G15	SS20M1G15	22-20	.34-.50	Gold 15μ"
SP20M1G30	SS20M1G30	22-20	.34-.50	Gold 30μ"
SP24M1F	SS24M1F	26-24	.14-.25	Gold Flash
SP24M1G5	SS24M1G5	26-24	.14-.25	Gold 5μ"
SP24M1G10	SS24M1G10	26-24	.14-.25	Gold 10μ"
SP24M1G15	SS24M1G15	26-24	.14-.25	Gold 15μ"
SP24M1G30	SS24M1G30	26-24	.14-.25	Gold 30μ"

Tools

Contact Extraction Tool, #16 (Ø 1.6) Contact



QXRT16

Hand Tool, Stamped & Formed Contact, Size 16, 20-14 AWG



MFX-3954

Crimp Die for Stamped & Formed Contact



MFX-3957

STEP 1
Choose Receptacle Style

STEP 2
Choose Plug Style

Jam Nut Receptacles



Square Flange Receptacles



Plugs



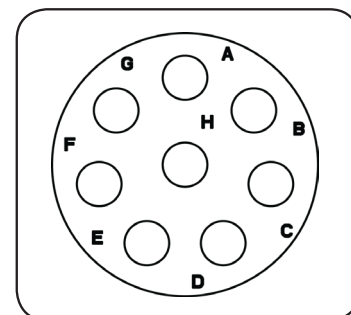
SEE TABLE ON NEXT PAGE FOR PART DETAILS

CONTACTS SOLD SEPARATELY SEE PAGE 133

Shell Size: 18 Number of Contacts: 8 Contact Size: 2.5mm
Sealing: IP67 / IP69k Salt Spray: 500h

**eco | mate® Aquarius
Standard Products**

- Suitable For Indoor and Outdoor Applications
- EMI/RMI Shielding Capability with Appropriate Backshell
- Operating Temperature: -40°C to +125°C
- 500 Mating Cycles
- Contacts and Cord Grips Ordered Separately
- UL ECBT2 Certified*



Insert Arrangement
Pin (Male) Faceview

Connector Part Numbers - Receptacles

PART NO#	Description	Temperature Range	Figure Drawing
RTS718N8P03	Receptacle, jam nut, 8 positions, size 18, pin contact, silicone rubber seal	-40 to 125°C	1
RTS718N8PHEC03	Receptacle, jam nut, 8 positions, size 18, pin contact, silicone rubber seal, encap	-40 to 125°C	3
RTS718N8S03	Receptacle, jam nut, 8 positions, size 18, socket contact, silicone rubber seal	-40 to 125°C	2
RTS018N8P03	Receptacle, square flange, 8 positions, size 18, pin contact, silicone rubber seal	-40 to 125°C	4
RTS018N8PHEC03	Receptacle, square flange, 8 positions, size 18, pin contact, silicone rubber seal, endcap	-40 to 125°C	6
RTS018N8S03	Receptacle, square flange, 8 positions, size 18, socket contact, silicone rubber seal	-40 to 125°C	5
RTS018N8SHEC03	Receptacle, square flange, 8 positions, size 18, socket contact, silicone rubber seal, endcap	-40 to 125°C	7

Connector Part Numbers - Plugs

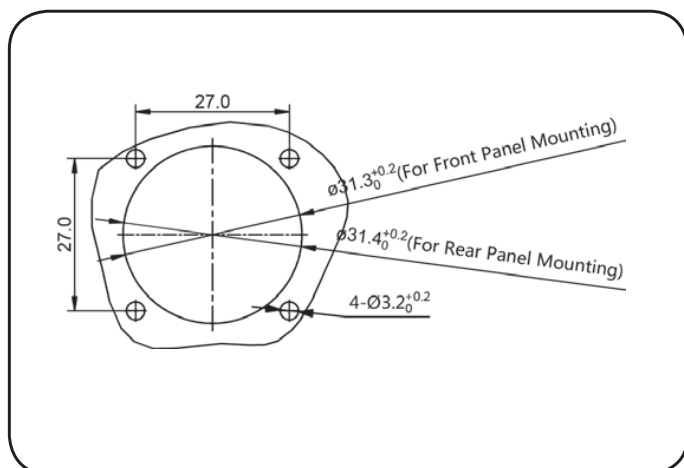
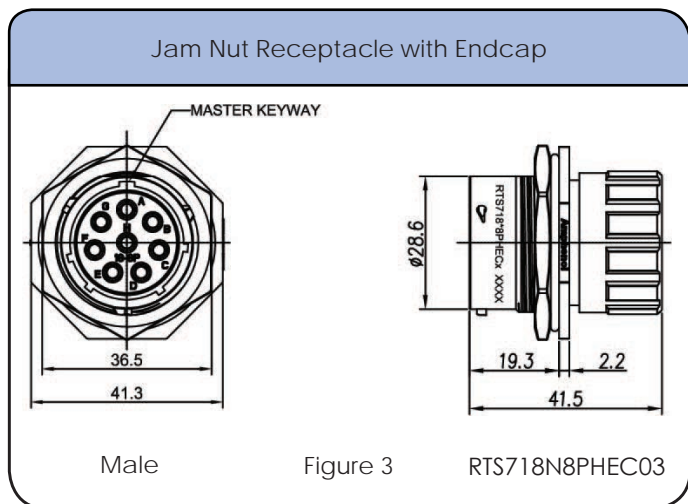
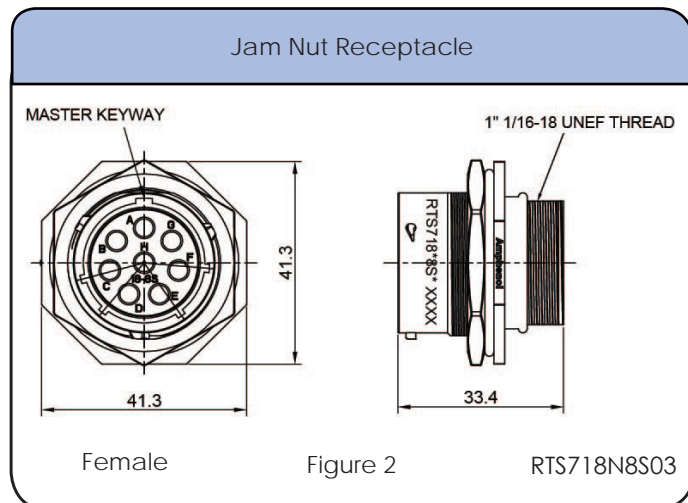
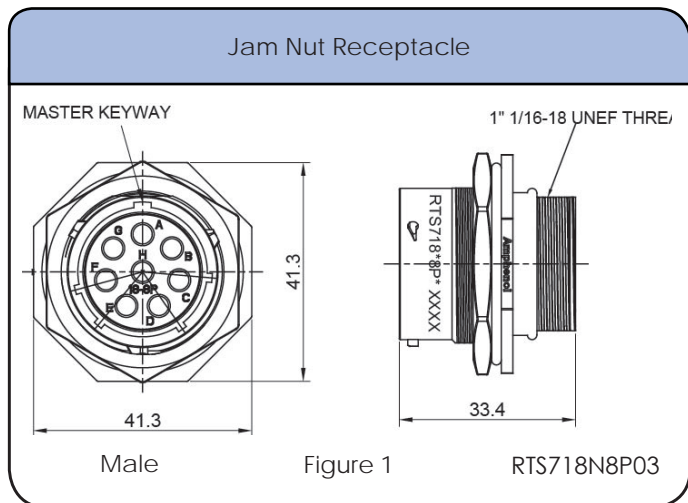
PART NO#	Description	Temperature Range	Figure Drawing
RTS6BS18N4P03	Straight plug with cord grip, 8 positions, size 18, pin contact, silicone rubber seal	-40 to 125°C	8
RTS6BS18N4PHEC03	Straight plug with end cap, 8 positions, size 18, pin contact, silicone rubber seal, endcap	-40 to 125°C	9
RTS6BS18N4S03	Straight plug with cord grip, 8 positions, size 18, socket contact, silicone rubber seal	-40 to 125°C	10
RTS6BS18N4SHEC03	Straight plug with end cap, 8 positions, size 18, socket contact, silicone rubber seal, endcap	-40 to 125°C	11

Contacts supplied separately see page 133

Shell Size: 18 Number of Contacts: 8
 Sealing: IP67 / IP69k Salt Spray: 500h

Contact Size: 2.5mm

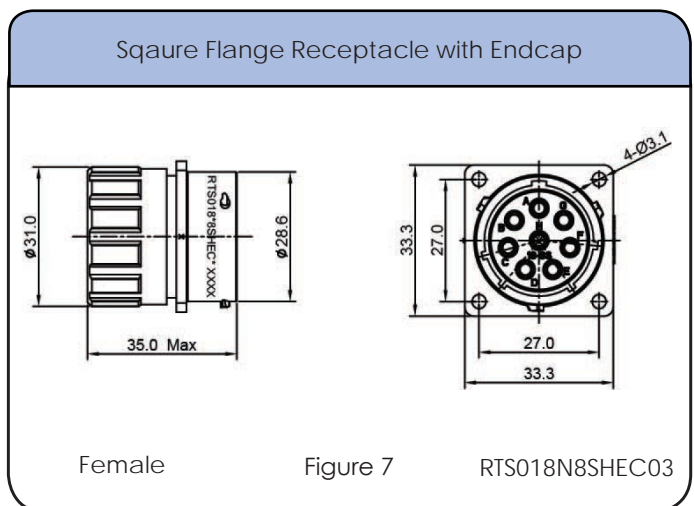
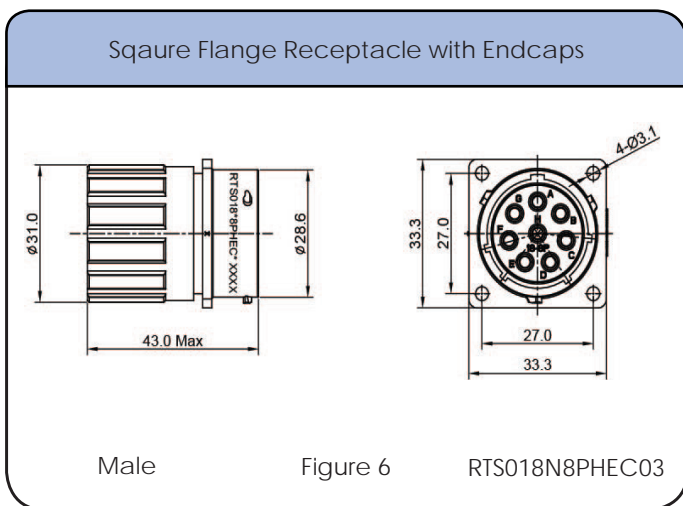
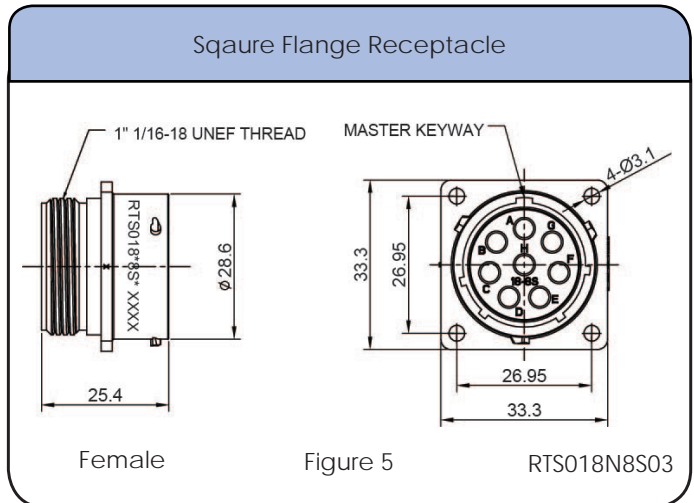
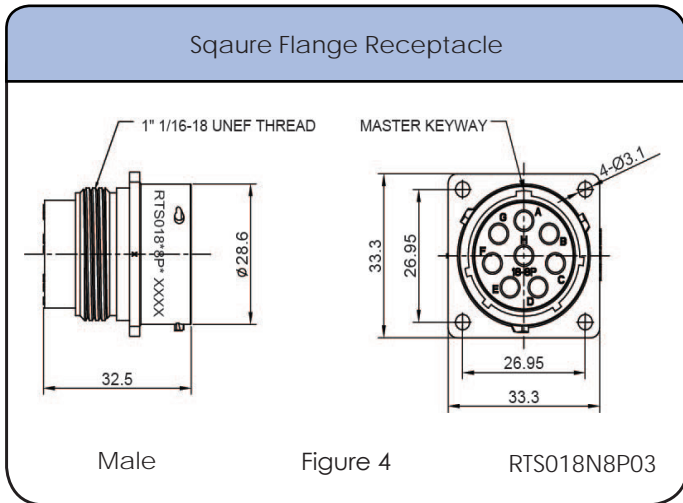
Dimensions Jam Nut



Shell Size: 18 Number of Contacts: 8
Sealing: IP67 / IP69k Salt Spray: 500h

Contact Size: 2.5mm

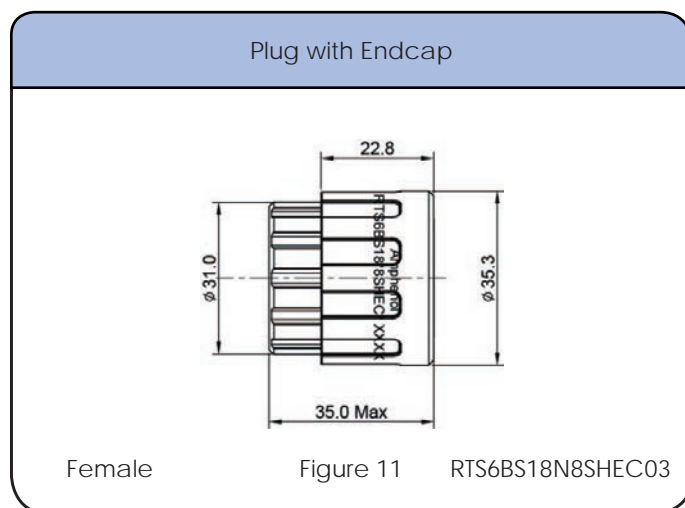
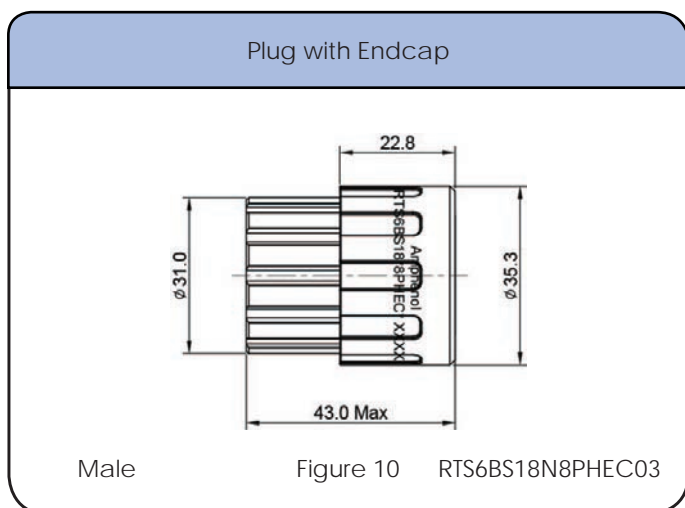
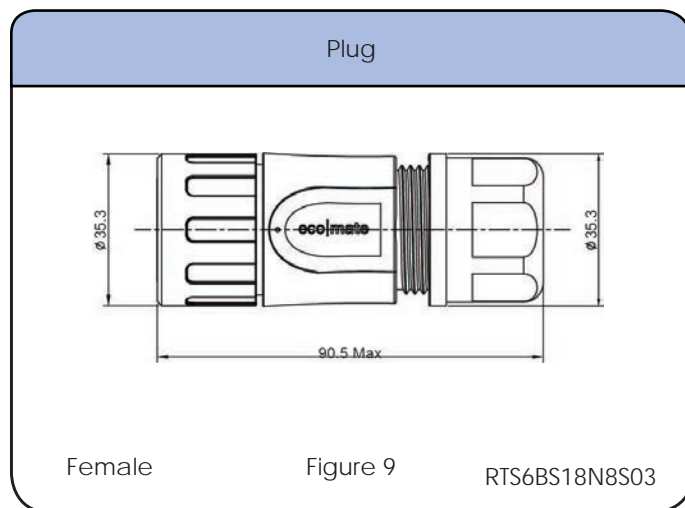
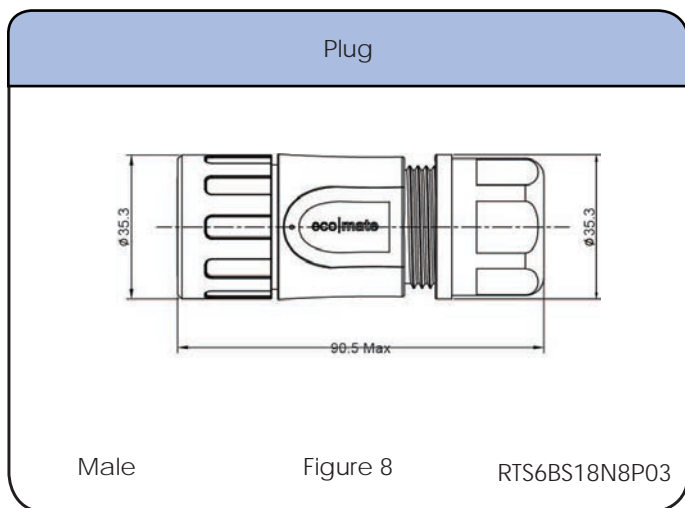
Dimensions Square Flange Receptacles



Shell Size: 18 Number of Contacts: 8
 Sealing: IP67 / IP69k Salt Spray: 500h






Contact Size: 2.5mm

Dimensions Plugs



Shell Size: 18 Number of Contacts: 8 Contact Size: 2.5mm
Sealing: IP67 / IP69k Salt Spray: 500h

Accessories

<p>Dust Cap for Plug, Size 18</p>  <p>RTS618NDCG</p>	<p>Dust Cap for Receptacle, Size 18</p>  <p>RTS018DCG</p>	
<p>Coding Color Ring, Yellow, Size 18</p>  <p>RTS18CCRY</p>	<p>Coding Color Ring, Green, Size 18</p>  <p>RTS18CCRG</p>	<p>Coding Color Ring, Red, Size 18</p>  <p>RTS18CCRR</p>

Contacts





Stamped & Formed Contacts

Crimp Contacts, Stamped & Formed

Part Number		AWG	Wire Range (mm ²)	Plating
Male	Female			
SP12A1T	SS12A1T	14-12	2.5-3.5	Tin

*No machined contacts are available for this group

Tools

<p>Extraction Tool 2.5mm Contact</p>  <p>QXRT12S</p>	<p>Hand Tool, Stamped & Formed Contact, 2.5 mm</p>  <p>MFx-3962</p>
---	--

STEP 1
Choose Receptacle Style

STEP 2
Choose Plug Style

Jam Nut Receptacles



Square Flange Receptacles



Plug



SEE TABLE ON NEXT PAGE FOR PART DETAILS

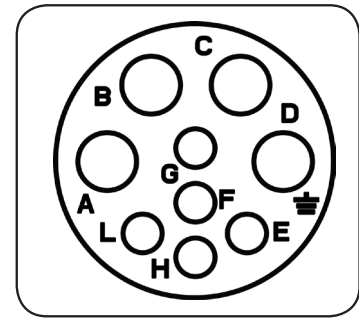
CONTACTS SOLD SEPARATELY SEE PAGE 140

Shell Size: 16 Number of Contacts: 9 (4+5)
Sealing: IP67 / IP69k Salt Spray: 500h

Contact Size: 4-16/5-2.5mm

eco | mate® Aquarius
Standard Products

- Suitable For Indoor and Outdoor Applications
- EMI/RMI Shielding Capability with Appropriate Backshell
- Operating Temperature: -40°C to +125°C
- 500 Mating Cycles
- Contacts and Cord Grips Ordered Separately
- UL ECBT2 Certified*



Insert Arrangement
Pin (Male) Faceview

Connector Part Numbers - Receptacles

PART NO#	Description	Temperature Range	Figure Drawing
RTS716N09P03	Receptacle, jam nut, 4+5 positions, size 16, pin contact, silicone rubber seal	-40 to 125°C	1
RTS716N09PHEC03	Receptacle, jam nut, 4+5 positions, size 16, pin contact, silicone rubber seal, endcap	-40 to 125°C	3
RTS716N09S03	Receptacle, jam nut, 4+5 positions, size 16, socket contact, silicone rubber seal	-40 to 125°C	2
RTS716N09SHEC03	Receptacle, jam nut, 4+5 positions, size 16, socket contact, silicone rubber seal, endcap	-40 to 125°C	4
RTS016N09P03	Receptacle, square flange, 4+5 positions, size 16, pin contact, silicone rubber seal	-40 to 125°C	5
RTS016N09PHEC03	Receptacle, square flange, 4+5 positions, size 16, pin contact, silicone rubber seal, endcap	-40 to 125°C	7
RTS016N09S03	Receptacle, square flange, 4+5 positions, size 16, socket contact, silicone rubber seal	-40 to 125°C	6
RTS016N09SHEC03	Receptacle, square flange, 4+5 positions, size 16, socket contact, silicone rubber seal, endcap	-40 to 125°C	8

Connector Part Numbers - Plugs

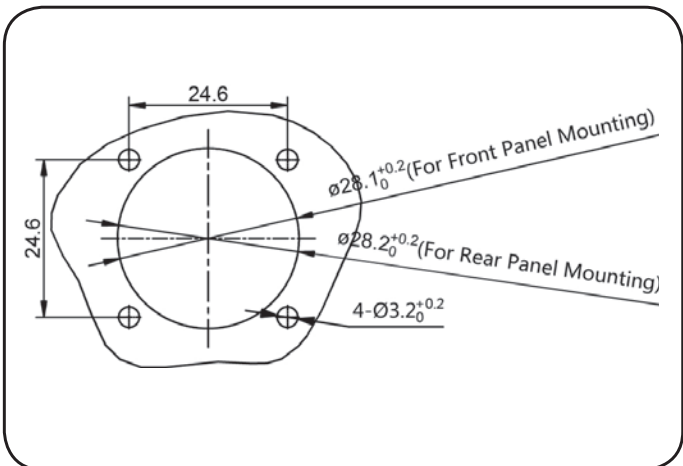
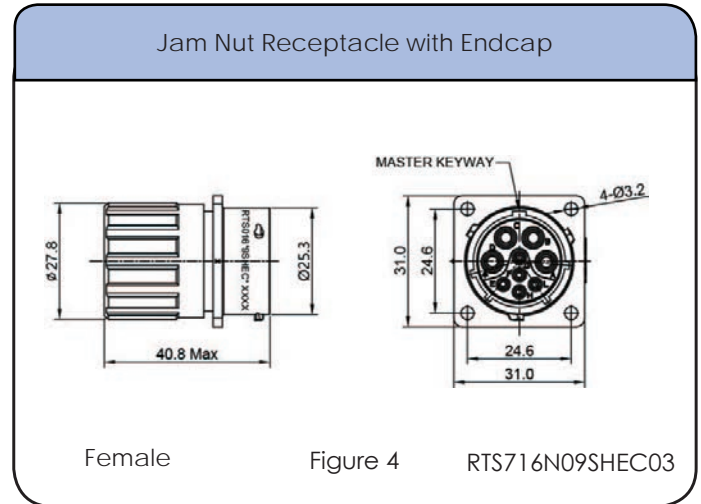
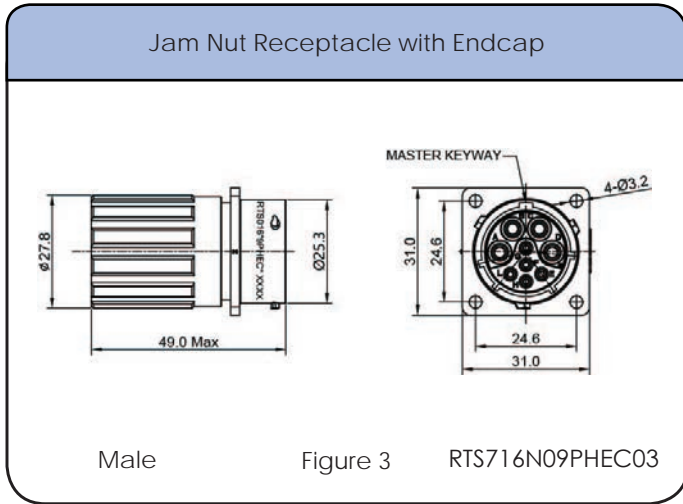
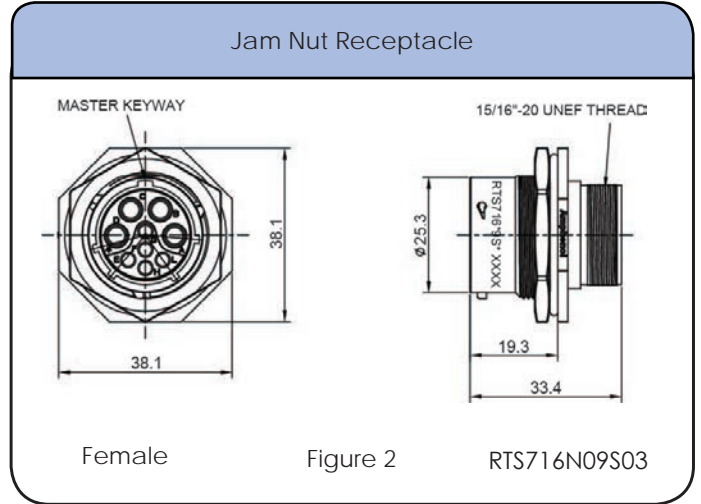
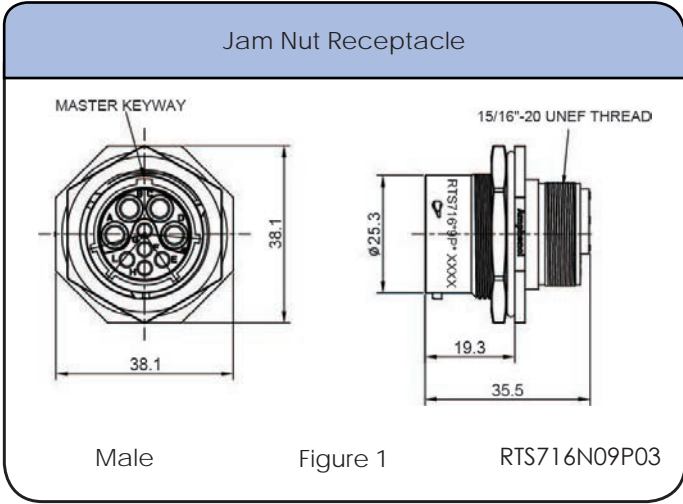
PART NO#	Description	Temperature Range	Figure Drawing
RTS6BS16N09P03	Straight plug with cord grip, 4+5 positions, size 16, pin contact, silicone rubber seal	-40 to 125°C	9
RTS6BS16N09PHEC03	Straight plug with end cap, 4+5 positions, size 16, pin contact, silicone rubber seal	-40 to 125°C	12
RTS6BS16N09S03	Straight plug with cord grip, 4+5 positions, size 16, socket contact, silicone rubber seal	-40 to 125°C	10
RTS6BS16N09SHEC03	Straight plug with end cap, 4+5 positions, size 16, socket contact, silicone rubber seal	-40 to 125°C	11

Contacts supplied separately see page 140

Shell Size: 16 Number of Contacts: 9 (4+5)
 Sealing: IP67 / IP69k Salt Spray: 500h

Contact Size: 4-16/5-2.5mm

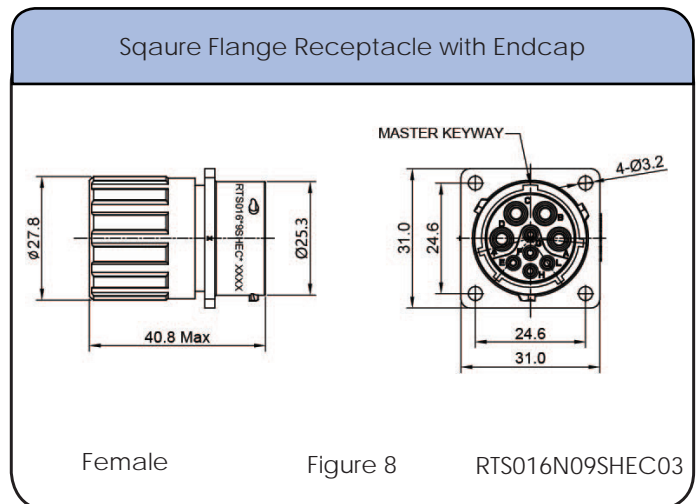
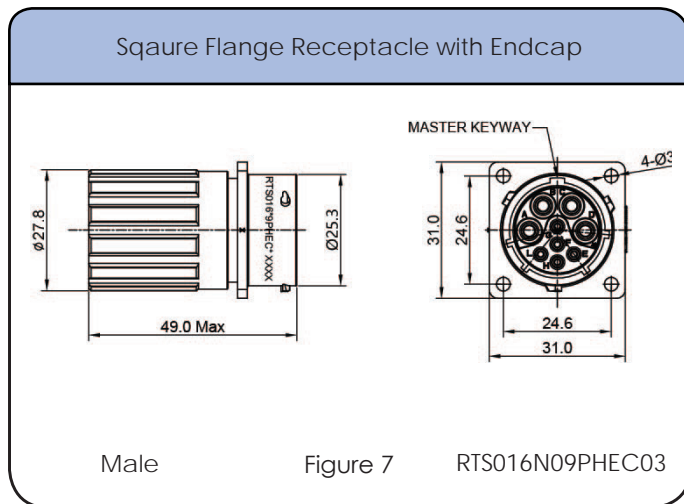
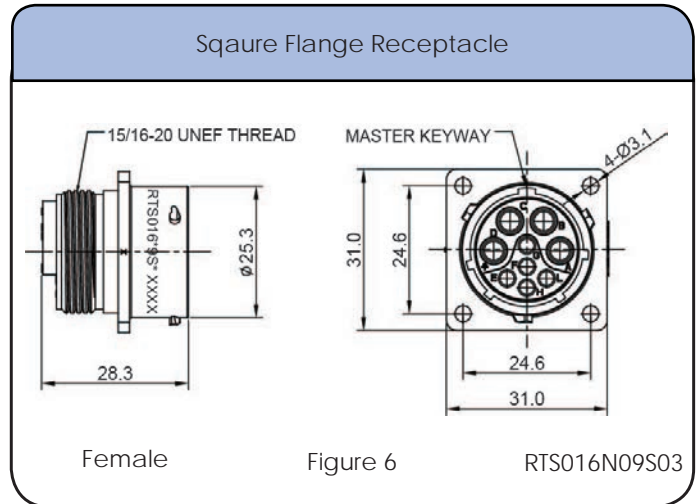
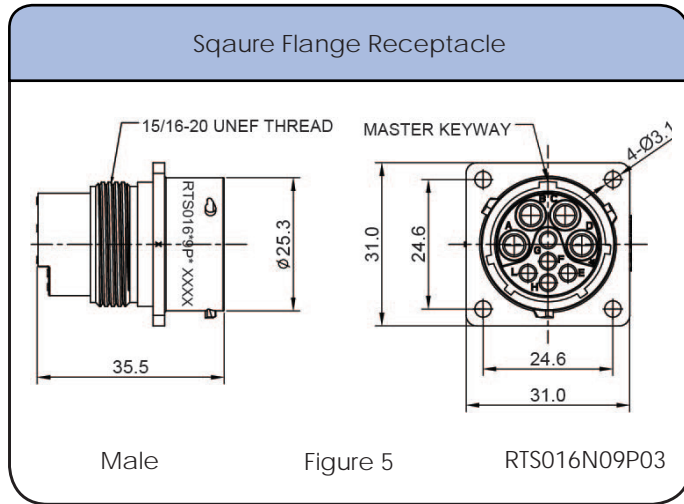
Dimensions Jam Nut Receptacles



Shell Size: 16 Number of Contacts: 9 (4+5)
Sealing: IP67 / IP69k Salt Spray: 500h

Contact Size: 4-16/5-2.5mm

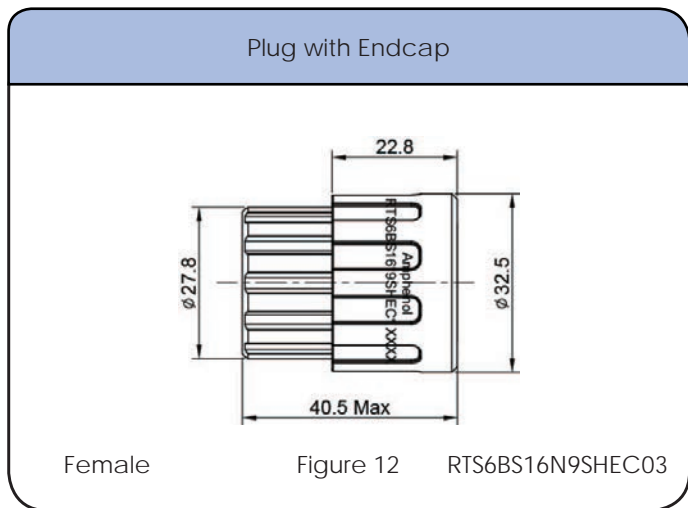
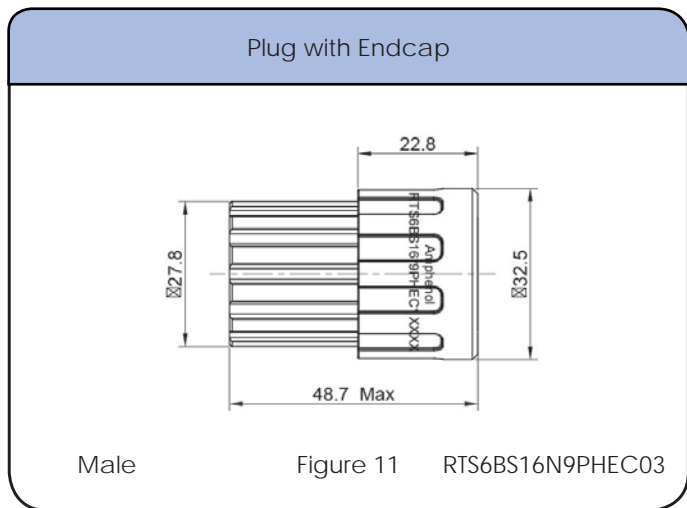
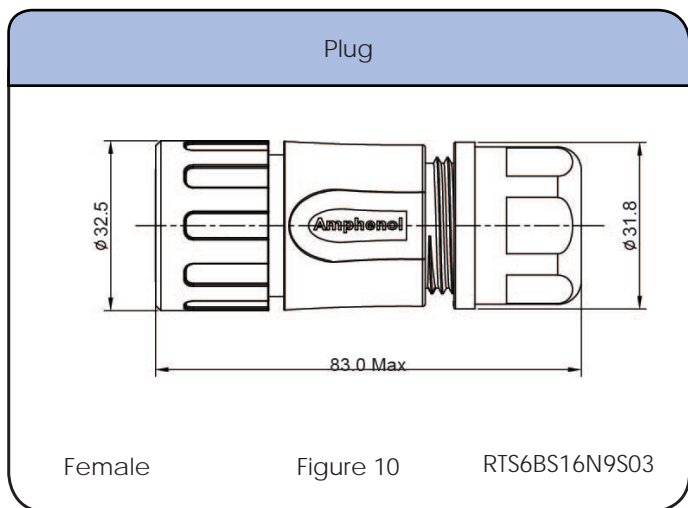
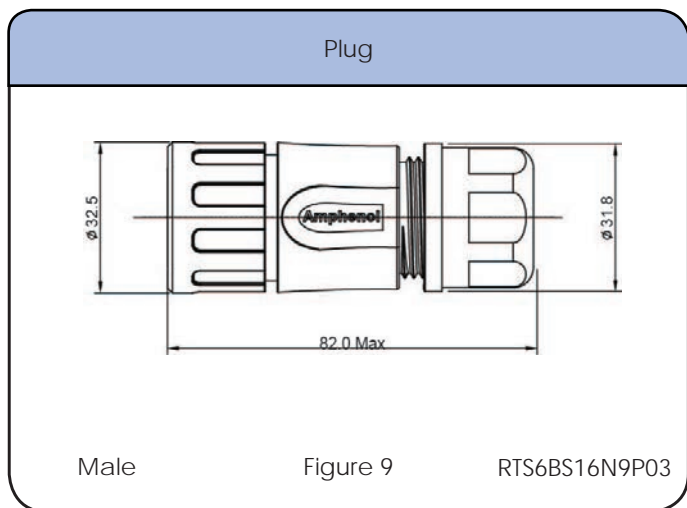
Dimensions Square Flange Receptacles



Shell Size: 16 Number of Contacts: 9 (4+5)
 Sealing: IP67 / IP69k Salt Spray: 500h

Contact Size: 4-16/5-2.5mm

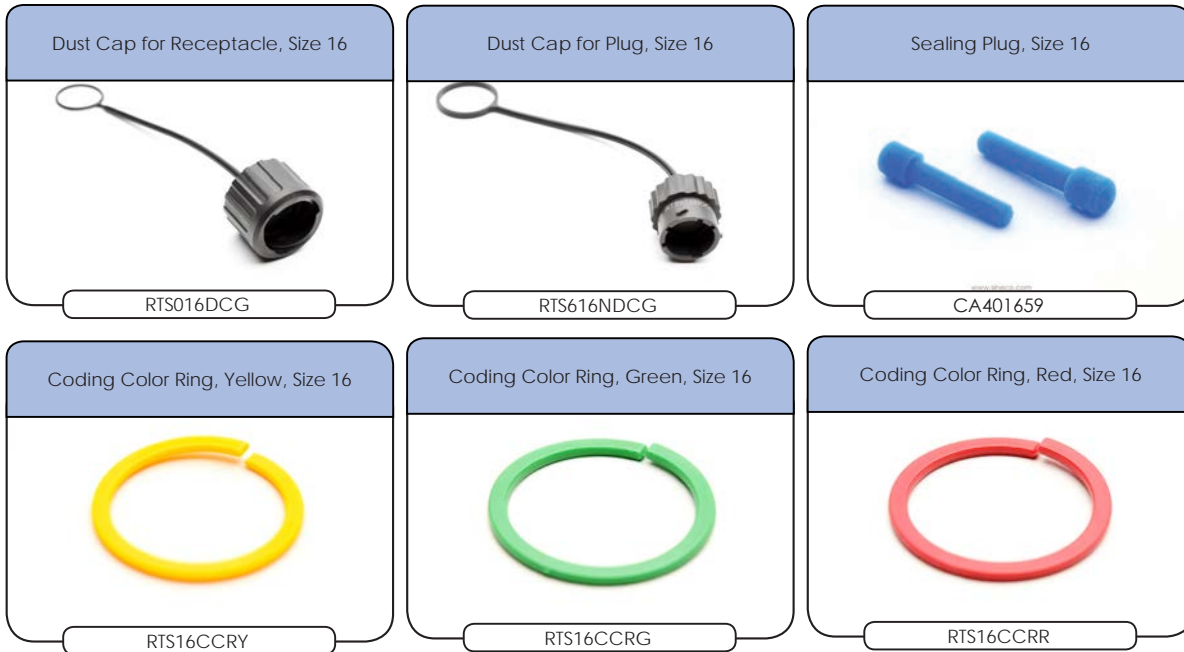
Dimensions Plugs



Shell Size: 16 Number of Contacts: 9 (4+5)
Sealing: IP67 / IP69k Salt Spray: 500h

Contact Size: 4-16/5-2.5mm

Accessories



Shell Size: 16 Number of Contacts: 9 (4+5) Contact Size: 4-16/5-2.5mm
 Sealing: IP67 / IP69k Salt Spray: 500h

Contacts Machined



Crimp Contacts, Machined

Part Number		Contact Size	AWG	Wire Range (mm ²)	Plating
Male	Female				
MP14M23F	MS14M23F	16	14	2.0-2.5	Gold Flash
MP14M23G5	MS14M23G5	16	14	2.0-2.5	Gold 5μ"
MP14M23G10	MS14M23G10	16	14	2.0-2.5	Gold 10μ"
MP14M23G15	MS14M23G15	16	14	2.0-2.5	Gold 15μ"
MP14M23G30	MS14M23G30	16	14	2.0-2.5	Gold 30μ"
MP16M23F	MS16M23F	16	18-16	.75-1.5	Gold Flash
MP16M23G5	MS16M23G5	16	18-16	.75-1.5	Gold 5μ"
MP16M23G10	MS16M23G10	16	18-16	.75-1.5	Gold 10μ"
MP16M23G15	MS16M23G15	16	18-16	.75-1.5	Gold 15μ"
MP16M23G30	MS16M23G30	16	18-16	.75-1.5	Gold 30μ"
MP20M23F	MS20M23F	16	22-20	.34-.50	Gold Flash
MP20M23G5	MS20M23G5	16	22-20	.34-.50	Gold 5μ"
MP20M23G10	MS20M23G10	16	22-20	.34-.50	Gold 10μ"
MP20M23G15	MS20M23G15	16	22-20	.34-.50	Gold 15μ"
MP20M23G30	MS20M23G30	16	22-20	.34-.50	Gold 30μ"
MP24M23F	MS24M23F	16	26-24	.14-.25	Gold Flash
MP24M23G5	MS24M23G5	16	26-24	.14-.25	Gold 5μ"
MP24M23G10	MS24M23G10	16	26-24	.14-.25	Gold 10μ"
MP24M23G15	MS24M23G15	16	26-24	.14-.25	Gold 15μ"
MP24M23G30	MS24M23G30	16	26-24	.14-.25	Gold 30μ"

Tools



Shell Size: 16 Number of Contacts: 9 (4+5) Contact Size: 4-16/5-2.5mm
Sealing: IP67 / IP69k Salt Spray: 500h

Contacts Stamped & Formed



Crimp Contacts, Stamped & Formed

Part Number		Contact Size	AWG	Wire Range (mm ²)	Plating
Male	Female				
SP12A1T	SS12A1T	2.5mm	14-12	2.5-3.5	Tin
SP14M1F	SS14M1F	16	14	2.0-2.5	Gold Flash
SP14M1G5	SS14M1G5	16	14	2.0-2.5	Gold 5μ"
SP14M1G10	SS14M1G10	16	14	2.0-2.5	Gold 10μ"
SP14M1G15	SS14M1G15	16	14	2.0-2.5	Gold 15μ"
SP14M1G30	SS14M1G30	16	14	2.0-2.5	Gold 30μ"
SP16M1F	SS16M1F	16	18-16	.75-1.5	Gold Flash
SP16M1G5	SS16M1G5	16	18-16	.75-1.5	Gold 5μ"
SP16M1G10	SS16M1G10	16	18-16	.75-1.5	Gold 10μ"
SP16M1G15	SS16M1G15	16	18-16	.75-1.5	Gold 15μ"
SP16M1G30	SS16M1G30	16	18-16	.75-1.5	Gold 30μ"
SP20M1F	SS20M1F	16	22-20	.34-.50	Gold Flash
SP20M1G5	SS20M1G5	16	22-20	.34-.50	Gold 5μ"
SP20M1G10	SS20M1G10	16	22-20	.34-.50	Gold 10μ"
SP20M1G15	SS20M1G15	16	22-20	.34-.50	Gold 15μ"
SP20M1G30	SS20M1G30	16	22-20	.34-.50	Gold 30μ"
SP24M1F	SS24M1F	16	26-24	.14-.25	Gold Flash
SP24M1G5	SS24M1G5	16	26-24	.14-.25	Gold 5μ"
SP24M1G10	SS24M1G10	16	26-24	.14-.25	Gold 10μ"
SP24M1G15	SS24M1G15	16	26-24	.14-.25	Gold 15μ"
SP24M1G30	SS24M1G30	16	26-24	.14-.25	Gold 30μ"

Tools

Extraction Tool 2.5mm Contact



QXRT12S

Contact Extraction Tool, #16 (Ø 1.6) Contact



QXRT16

Hand Tool, Stamped & Formed Contact, 2.5 mm



MFX-3962

Hand Tool, Stamped & Formed Contact, Size 16, 20-14 AWG



MFX-3954

Crimp Die for Stamped & Formed Contact



MFX-3957

STEP 1
Choose Receptacle Style

STEP 2
Choose Plug Style

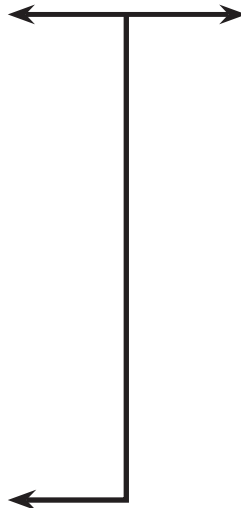
Jam Nut Receptacles



Square Flange Receptacles



Plug



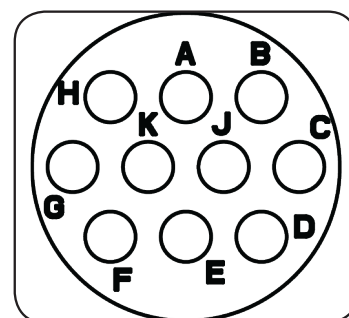
SEE TABLE ON NEXT PAGE FOR PART DETAILS

CONTACTS SOLD SEPARATELY SEE PAGE 148

Shell Size: 12 Number of Contacts: 10 Contact Size: 20
Sealing: IP67 / IP69k Salt Spray: 500h

eco | mate® Aquarius Standard Products

- Suitable For Indoor and Outdoor Applications
- EMI/RMI Shielding Capability with Appropriate Backshell
- Operating Temperature: -40°C to +125°C
- 500 Mating Cycles
- Contacts and Cord Grips Ordered Separately
- UL ECBT2 Certified*



Insert Arrangement
Pin (Male) Faceview

Connector Part Numbers -Receptacles

PART NO#	Description	Temperature Range	Figure Drawing
RTS712N10P03	Receptacle, jam nut, 10 positions, size 12, pin contact, silicone rubber seal	-40 to 125°C	1
RTS712N10PHEC03	Receptacle, jam nut, 10 positions, size 12, pin contact, silicone rubber seal, endcap	-40 to 125°C	3
RTS712N10S03	Receptacle, jam nut, 10 positions, size 12, socket contact, silicone rubber seal	-40 to 125°C	2
RTS012N10P03	Receptacle, square flange, 10 positions, size 12, pin contact, silicone rubber seal	-40 to 125°C	4
RTS012N10PHEC03	Receptacle, square flange, 10 positions, size 12, pin contact, silicone rubber seal, endcap	-40 to 125°C	6
RTS012N10S03	Receptacle, square flange, 10 positions, size 12, socket contact, silicone rubber seal	-40 to 125°C	5
RTS012N10SHEC03	Receptacle, square flange, 10 positions, size 12, socket contact, silicone rubber seal, endcap	-40 to 125°C	7

Connector Part Numbers -Plugs

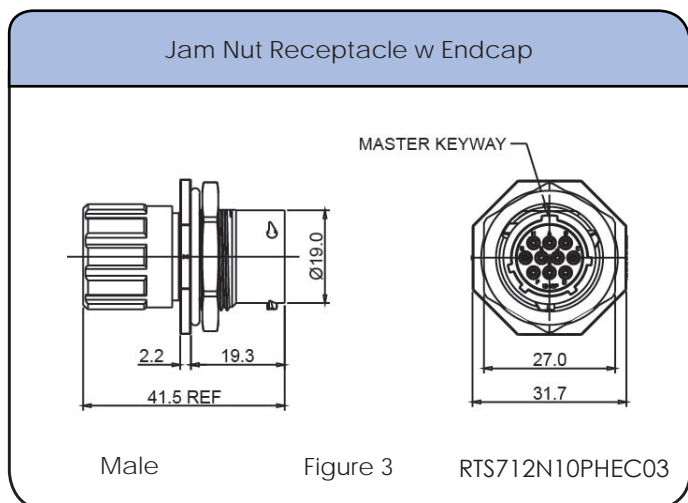
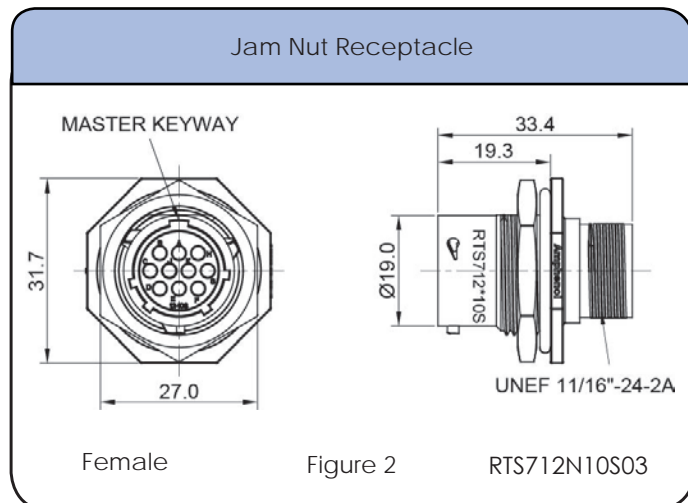
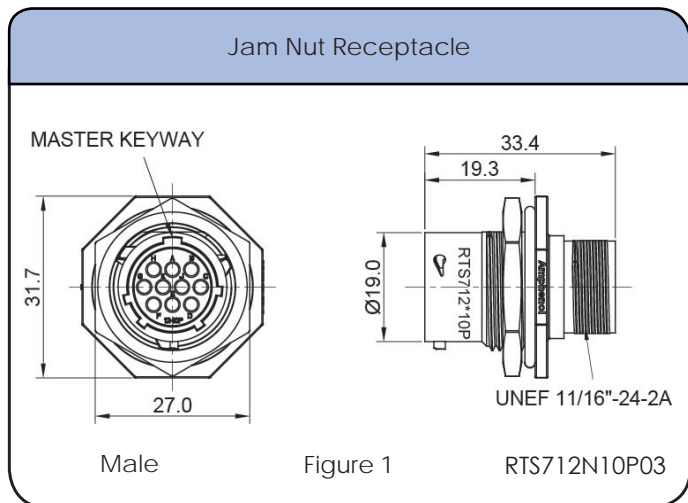
PART NO#	Description	Temperature Range	Figure Drawing
RTS6BS12N10P03	Straight plug with cord grip, 10 positions, size 12, pin contact, silicone rubber seal	-40 to 125°C	8
RTS6BS12N10PHEC03	Straight plug with end cap, 10 positions, size 12, pin contact, silicone rubber seal	-40 to 125°C	10
RTS6BS12N10S03	Straight plug with cord grip, 10 positions, size 12, socket contact, silicone rubber seal	-40 to 125°C	9
RTS6BS12N10SHEC03	Straight plug with end cap, 10 positions, size 12, socket contact, silicone rubber seal	-40 to 125°C	11

Contacts supplied separately see page 148

Shell Size: 12 Number of Contacts: 10
 Sealing: IP67 / IP69k Salt Spray: 500h

Contact Size: 20

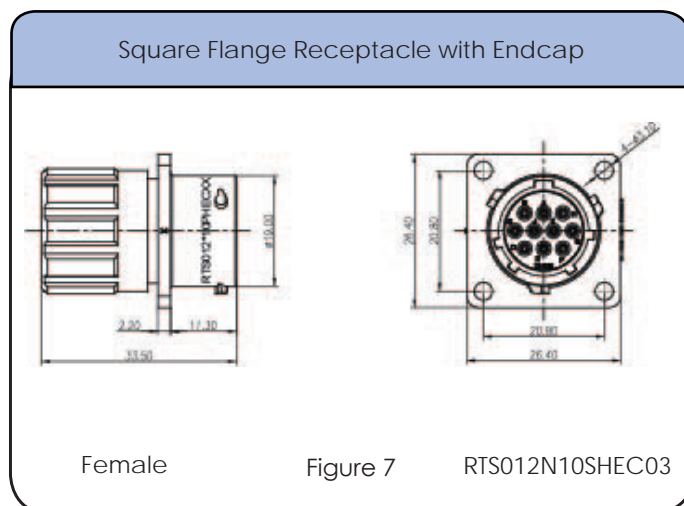
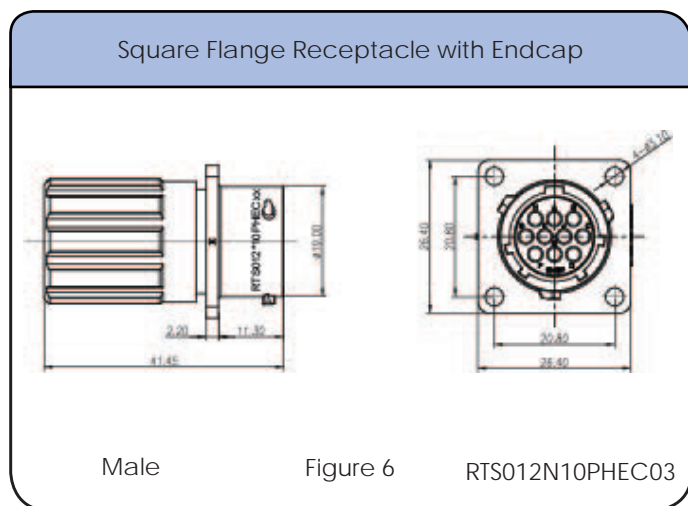
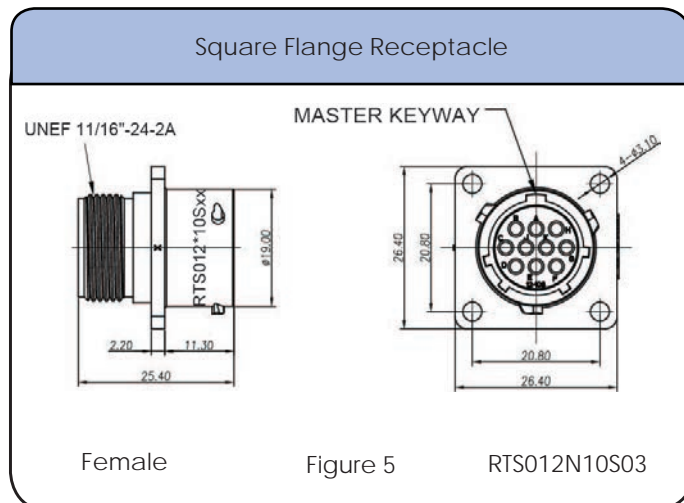
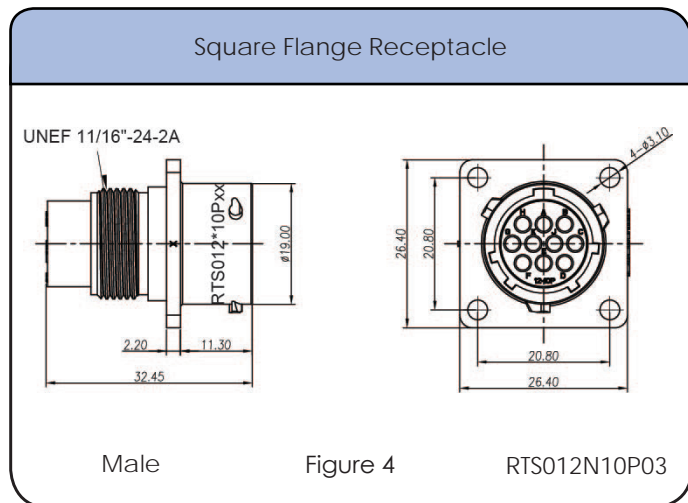
Dimensions Jam Nut



Shell Size: 12 Number of Contacts: 10
Sealing: IP67 / IP69k Salt Spray: 500h

Contact Size: 20

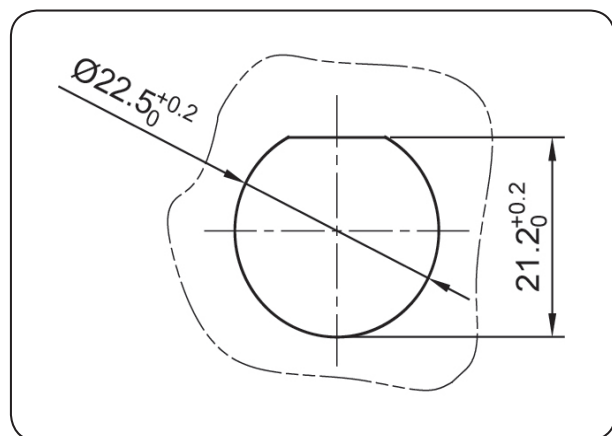
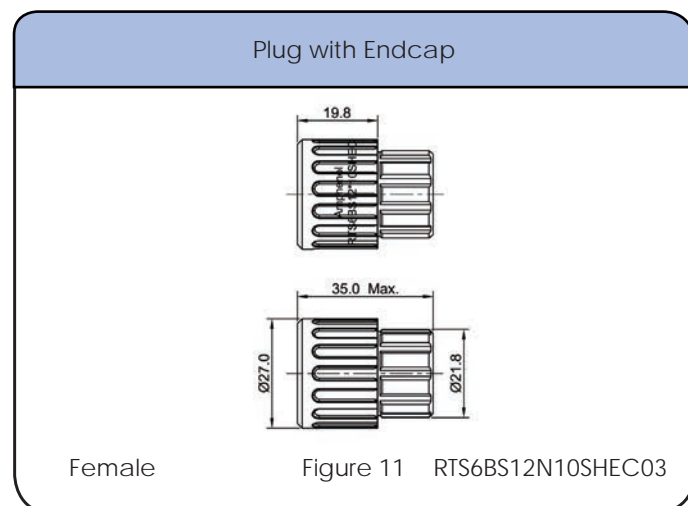
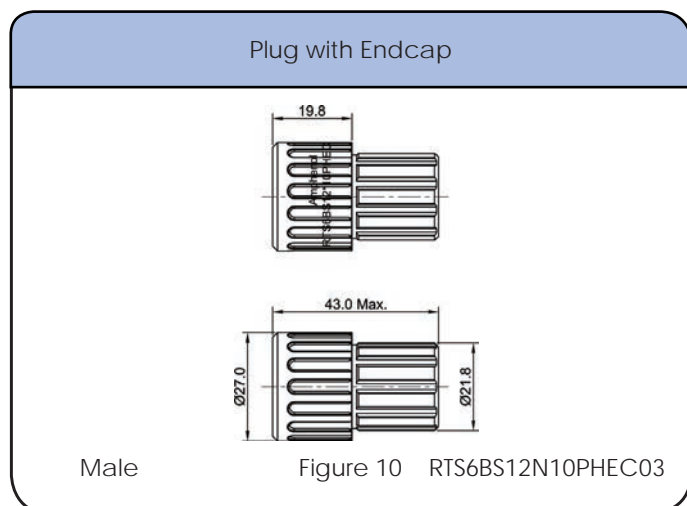
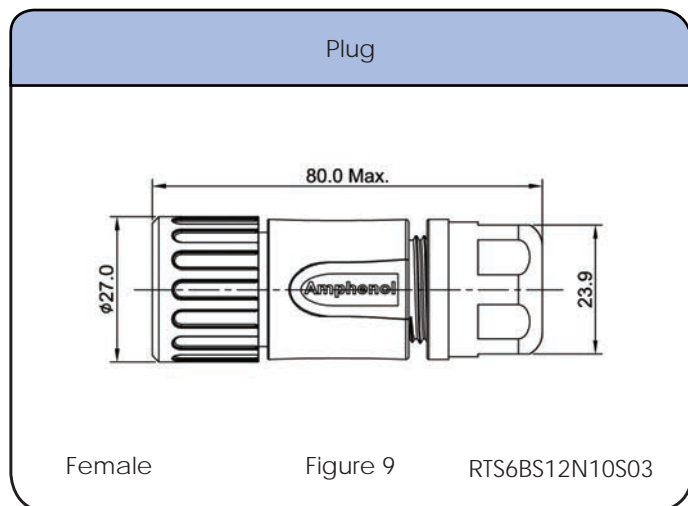
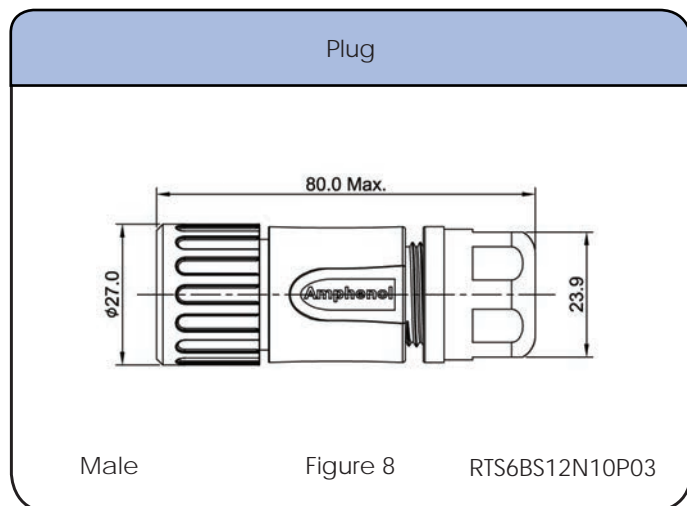
SquareFlange Receptacles



Shell Size: 12 Number of Contacts: 10
 Sealing: IP67 / IP69k Salt Spray: 500h

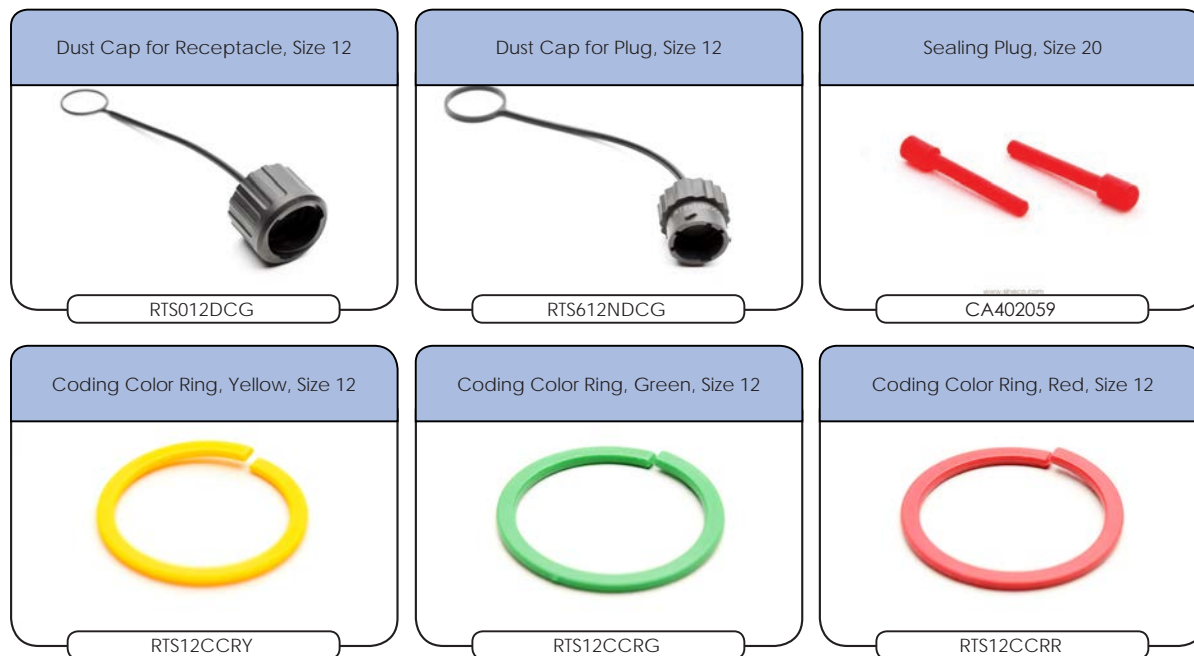
Contact Size: 20

Dimensions Plugs



Shell Size: 12 Number of Contacts: 10 Contact Size: 20
Sealing: IP67 / IP69k Salt Spray: 500h

Accessories



Shell Size: 12 Number of Contacts: 10 Contact Size: 20
 Sealing: IP67 / IP69k Salt Spray: 500h

Contacts Machined



Crimp Contacts, Machined

Part Number		AWG	Wire Rangeset (mm ²)	Plating
Male	Female			
MP20W23F	MS20W23F	22-20	.34-.50	Gold Flash
MP20W23G5	MS20W23G5	22-20	.34-.50	Gold 5μ"
MP20W23G10	MS20W23G10	22-20	.34-.50	Gold 10μ"
MP20W23G15	MS20W23G15	22-20	.34-.50	Gold 15μ"
MP20W23G30	MS20W23G30	22-20	.34-.50	Gold 30μ"
MP24W23F	MS24W23F	26-24	.13-.25	Gold Flash
MP24W23G5	MS24W23G5	26-24	.13-.25	Gold 5μ"
MP24W23G10	MS24W23G10	26-24	.13-.25	Gold 10μ"
MP24W23G15	MS24W23G15	26-24	.13-.25	Gold 15μ"
MP24W23G30	MS24W23G30	26-24	.13-.25	Gold 30μ"
MP28W23F	MS28W23F	30-28	.05-.08	Gold Flash
MP28W23G5	MS28W23G5	30-28	.05-.08	Gold 5μ"
MP28W23G10	MS28W23G10	30-28	.05-.08	Gold 10μ"
MP28W23G15	MS28W23G15	30-28	.05-.08	Gold 15μ"
MP28W23G30	MS28W23G30	30-28	.05-.08	Gold 30μ"

Tools



Shell Size: 12 Number of Contacts: 10 Contact Size: 20
Sealing: IP67 / IP69k Salt Spray: 500h

Contacts Stamped & Formed



Crimp Contacts, Stamped & Formed

Part Number		AWG	Wire Range (mm ²)	Plating
Male	Female			
SP20W1F	SS20W1F	22-20	.34-.50	Gold Flash
SP20W1G5	SS20W1G5	22-20	.34-.50	Gold 5μ"
SP20W1G10	SS20W1G10	22-20	.34-.50	Gold 10μ"
SP20W1G15	SS20W1G15	22-20	.34-.50	Gold 15μ"
SP20W1G30	SS20W1G30	22-20	.34-.50	Gold 30μ"
SP24W1F	SS24W1F	26-24	.14-.25	Gold Flash
SP24W1G5	SS24W1G5	26-24	.14-.25	Gold 5μ"
SP24W1G10	SS24W1G10	26-24	.14-.25	Gold 10μ"
SP24W1G15	SS24W1G15	26-24	.14-.25	Gold 15μ"
SP24W1G30	SS24W1G30	26-24	.14-.25	Gold 30μ"
SP28W1F	SS28W1F	30-28	.05-.08	Gold Flash
SP28W1G5	SS28W1G5	30-28	.05-.08	Gold 5μ"
SP28W1G10	SS28W1G10	30-28	.05-.08	Gold 10μ"
SP28W1G15	SS28W1G15	30-28	.05-.08	Gold 15μ"
SP28W1G30	SS28W1G30	30-28	.05-.08	Gold 30μ"

Tools



STEP 1
Choose Receptacle Style

STEP 2
Choose Plug Style

Jam Nut Receptacles



Square Flange Receptacles



Plug



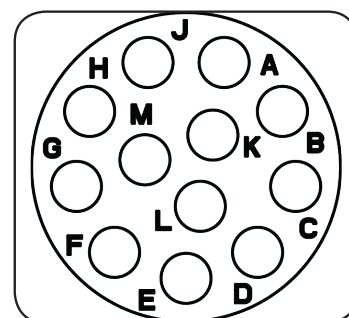
SEE TABLE ON NEXT PAGE FOR PART DETAILS

CONTACTS SOLD SEPARATELY SEE PAGE 156

Shell Size: 14 Number of Contacts: 12 Contact Size: 16
Sealing: IP67 / IP69k Salt Spray: 500h

**eco | mate® Aquarius
Standard Products**

- Suitable For Indoor and Outdoor Applications
- EMI/RMI Shielding Capability with Appropriate Backshell
- Operating Temperature: -40°C to +125°C
- 500 Mating Cycles
- Contacts and Cord Grips Ordered Separately
- UL ECBT2 Certified*



Insert Arrangement
Pin (Male) Faceview

Connector Part Numbers -Receptacles

PART NO#	Description	Temperature Range	Figure Drawing
RTS714N12P03	Receptacle, jam nut, 12 positions, size 14, pin contact, silicone rubber seal	-40 to 125°C	1
RTS714N12PHEC03	Receptacle, jam nut, 12 positions, size 14, pin contact, silicone rubber seal, endcap	-40 to 125°C	3
RTS714N12S03	Receptacle, jam nut, 12 positions, size 14, socket contact, silicone rubber seal	-40 to 125°C	2
RTS014N12P03	Receptacle, square flange, 12 positions, size 14, pin contact, silicone rubber seal	-40 to 125°C	4
RTS014N12PHEC03	Receptacle, square flange, 12 positions, size 14, pin contact, silicone rubber seal, encap	-40 to 125°C	7
RTS014N12S03	Receptacle, square flange, 12 positions, size 14, socket contact, silicone rubber seal	-40 to 125°C	5
RTS014N12SHEC03	Receptacle, square flange, 12 positions, size 14, socket contact, silicone rubber seal, encap	-40 to 125°C	6

Connector Part Numbers -Plugs

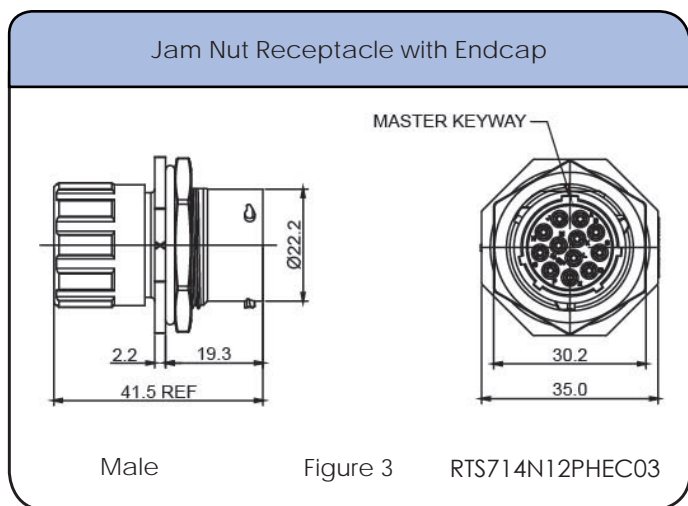
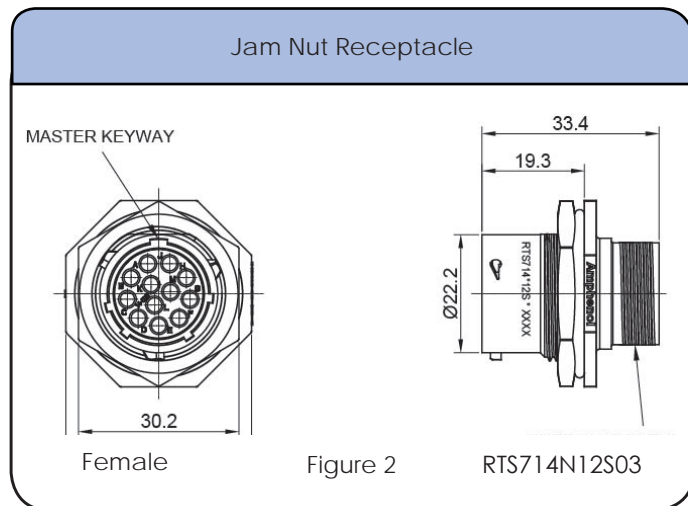
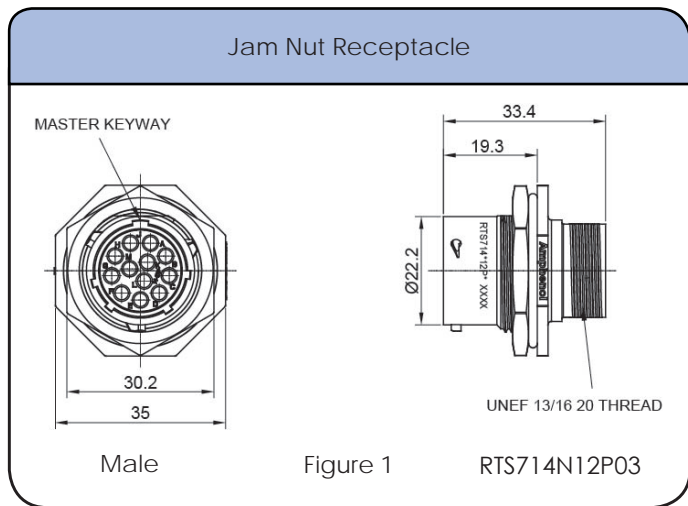
PART NO#	Description	Temperature Range	Figure Drawing
RTS6BS14N12P03	Straight plug with cord grip, 12 positions, size 14, pin contact, silicone rubber seal	-40 to 125°C	8
RTS6BS14N12PHEC03	Straight plug with end cap, 12 positions, size 14, pin contact, endcap, silicone rubber seal	-40 to 125°C	10
RTS6BS14N12S03	Straight plug with cord grip, 12 positions, size 14, socket contact, silicone rubber seal	-40 to 125°C	9
RTS6BS14N12SHEC03	Straight plug with end cap, 12 positions, size 14, socket contact, endcap, silicone rubber seal	-40 to 125°C	11

Contacts supplied separately see page 156

Shell Size: 14 Number of Contacts: 12
 Sealing: IP67 / IP69k Salt Spray: 500h

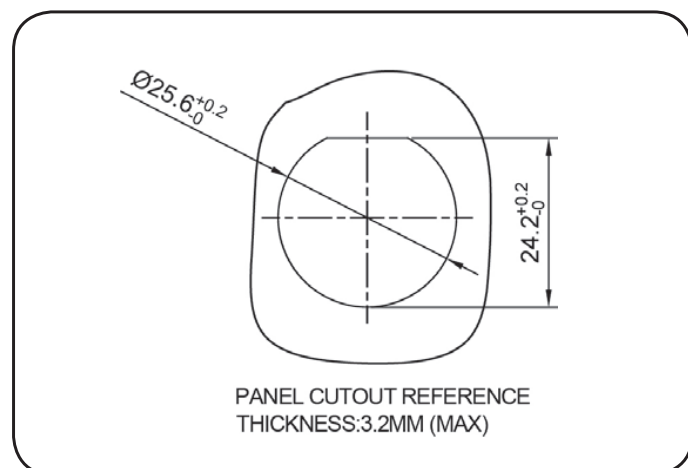
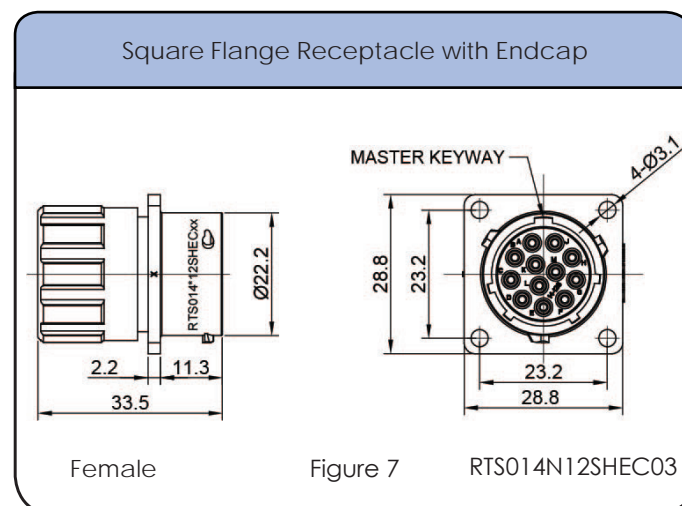
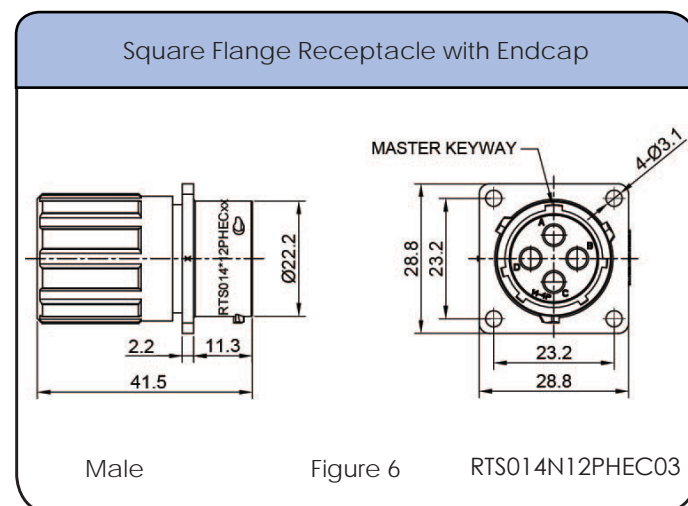
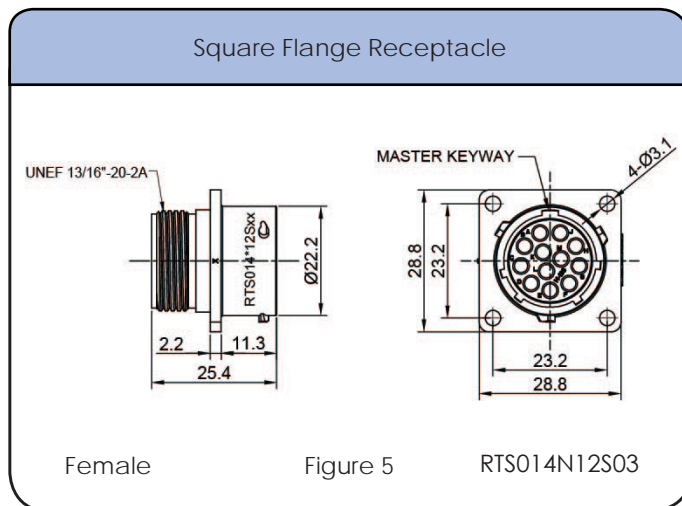
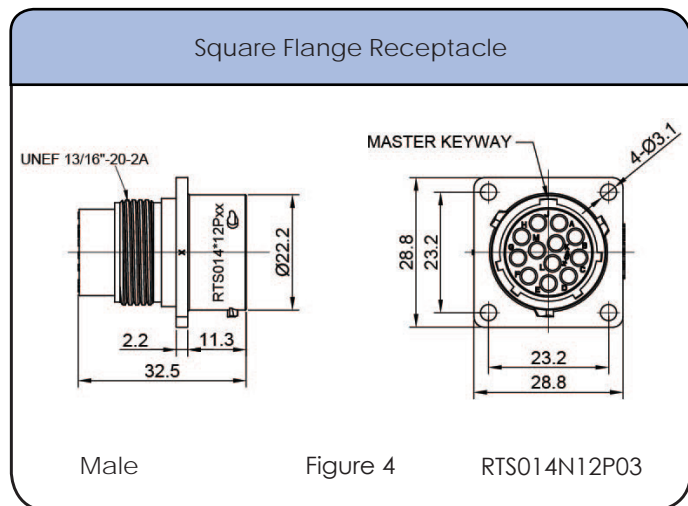
Contact Size: 16

Dimensions Jam Nut Receptacle



Shell Size: 14 Number of Contacts: 12 Contact Size: 16
Sealing: IP67 / IP69k Salt Spray: 500h

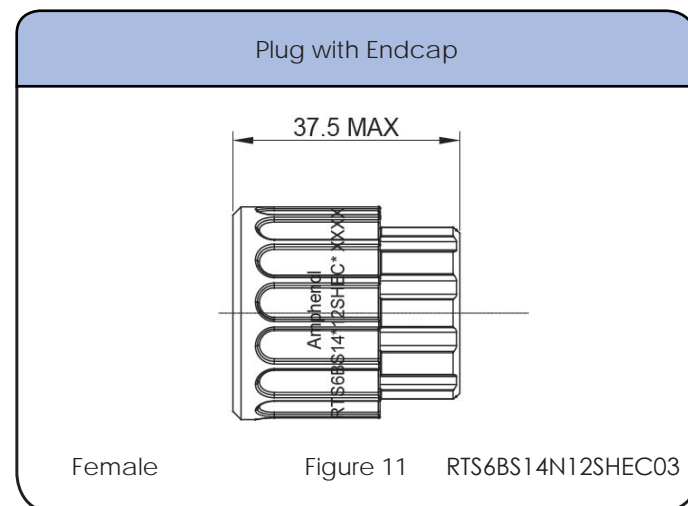
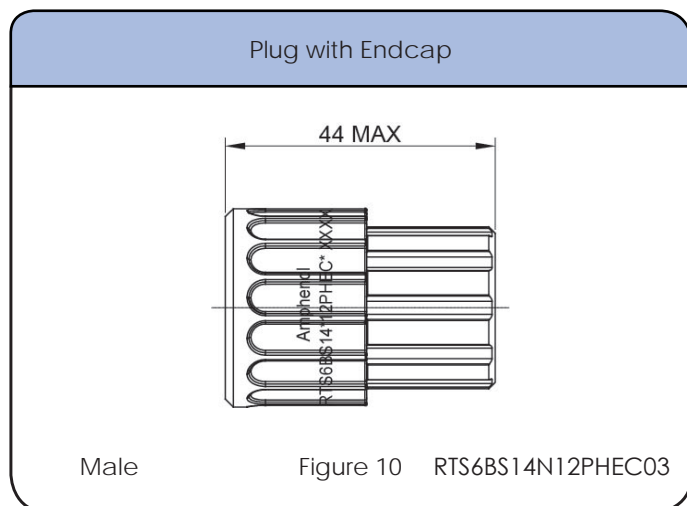
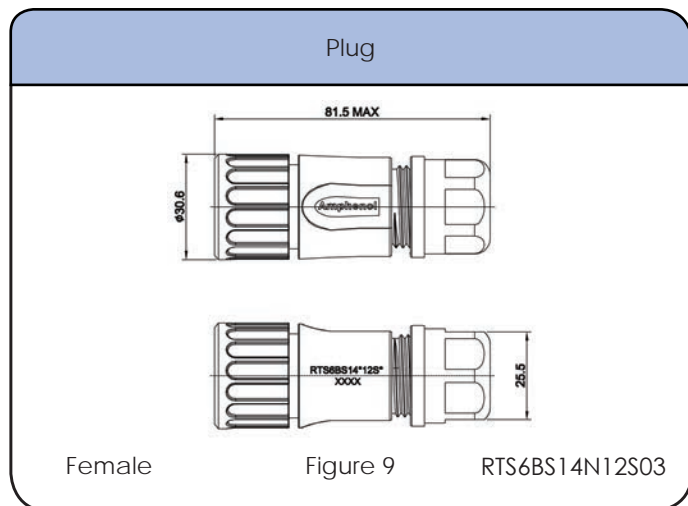
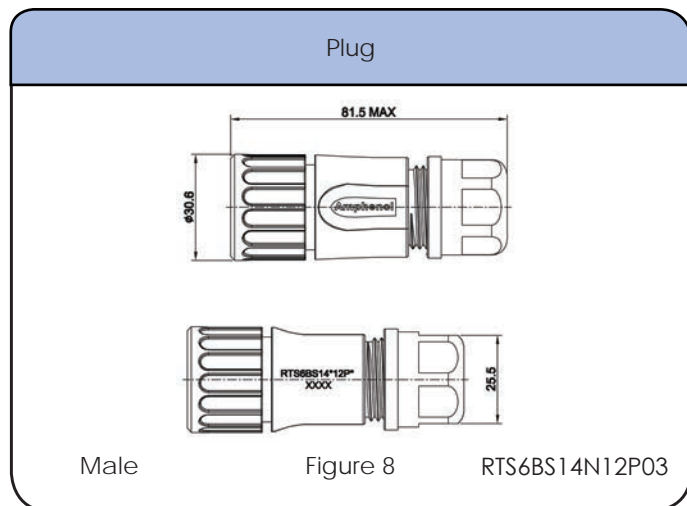
Dimensions Square Flange Receptacles



Shell Size: 14 Number of Contacts: 12
 Sealing: IP67 / IP69k Salt Spray: 500h

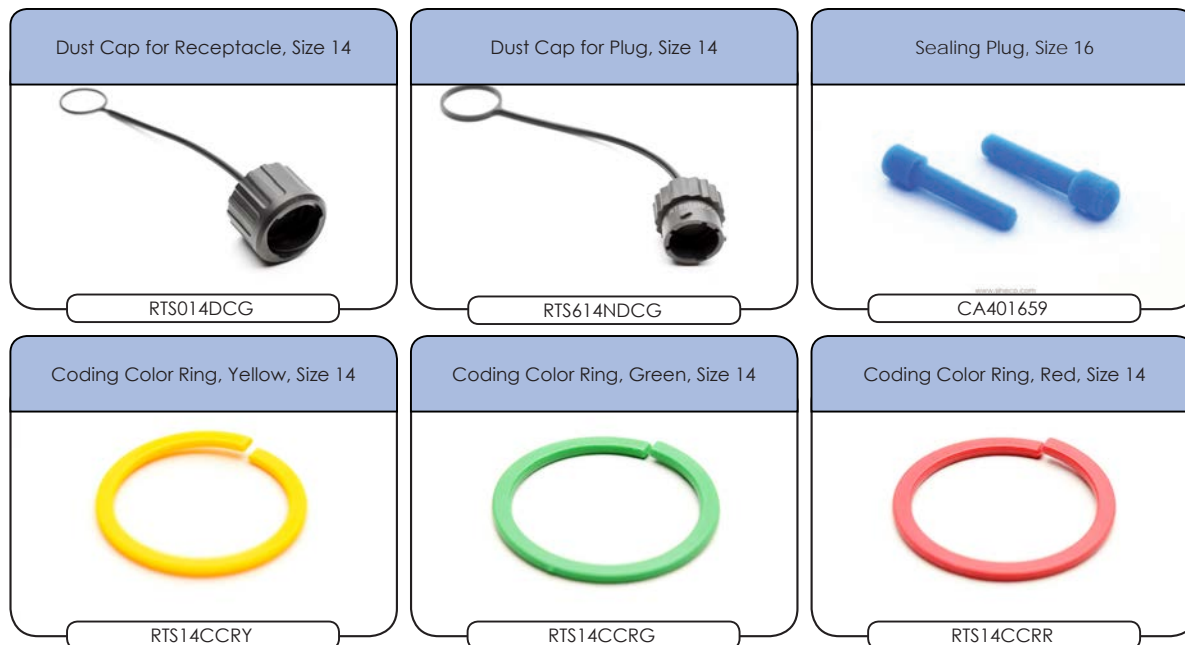
Contact Size: 16

Dimensions Plugs



Shell Size: 14 Number of Contacts: 12 Contact Size: 16
Sealing: IP67 / IP69k Salt Spray: 500h

Accessories



Shell Size: 14 Number of Contacts: 12 Contact Size: 16
 Sealing: IP67 / IP69k Salt Spray: 500h

Contacts



Crimp Contacts, Machined

Part Number		AWG	Wire Range (mm ²)	Plating
Male	Female			
MP14M23F	MS14M23F	14	2.0-2.5	Gold Flash
MP14M23G5	MS14M23G5	14	2.0-2.5	Gold 5μ"
MP14M23G10	MS14M23G10	14	2.0-2.5	Gold 10μ"
MP14M23G15	MS14M23G15	14	2.0-2.5	Gold 15μ"
MP14M23G30	MS14M23G30	14	2.0-2.5	Gold 30μ"
MP16M23F	MS16M23F	18-16	.75-1.5	Gold Flash
MP16M23G5	MS16M23G5	18-16	.75-1.5	Gold 5μ"
MP16M23G10	MS16M23G10	18-16	.75-1.5	Gold 10μ"
MP16M23G15	MS16M23G15	18-16	.75-1.5	Gold 15μ"
MP16M23G30	MS16M23G30	18-16	.75-1.5	Gold 30μ"
MP20M23F	MS20M23F	22-20	.34-.50	Gold Flash
MP20M23G5	MS20M23G5	22-20	.34-.50	Gold 5μ"
MP20M23G10	MS20M23G10	22-20	.34-.50	Gold 10μ"
MP20M23G15	MS20M23G15	22-20	.34-.50	Gold 15μ"
MP20M23G30	MS20M23G30	22-20	.34-.50	Gold 30μ"
MP24M23F	MS24M23F	26-24	.14-.25	Gold Flash
MP24M23G5	MS24M23G5	26-24	.14-.25	Gold 5μ"
MP24M23G10	MS24M23G10	26-24	.14-.25	Gold 10μ"
MP24M23G15	MS24M23G15	26-24	.14-.25	Gold 15μ"
MP24M23G30	MS24M23G30	26-24	.14-.25	Gold 30μ"

Tools



Shell Size: 14 Number of Contacts: 12 Contact Size: 16
Sealing: IP67 / IP69k Salt Spray: 500h

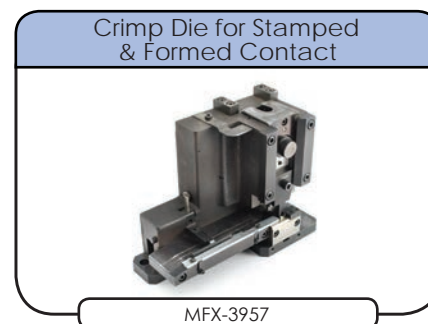
Contacts (con't)



Crimp Contacts, Stamped & Formed

Part Number		AWG	Wire Range (mm ²)	Plating
Male	Female			
SP14M1F	SS14M1F	14	2.0-2.5	Gold Flash
SP14M1G5	SS14M1G5	14	2.0-2.5	Gold 5μ"
SP14M1G10	SS14M1G10	14	2.0-2.5	Gold 10μ"
SP14M1G15	SS14M1G15	14	2.0-2.5	Gold 15μ"
SP14M1G30	SS14M1G30	14	2.0-2.5	Gold 30μ"
SP16M1F	SS16M1F	18-16	.75-1.5	Gold Flash
SP16M1G5	SS16M1G5	18-16	.75-1.5	Gold 5μ"
SP16M1G10	SS16M1G10	18-16	.75-1.5	Gold 10μ"
SP16M1G15	SS16M1G15	18-16	.75-1.5	Gold 15μ"
SP16M1G30	SS16M1G30	18-16	.75-1.5	Gold 30μ"
SP20M1F	SS20M1F	22-20	.34-.50	Gold Flash
SP20M1G5	SS20M1G5	22-20	.34-.50	Gold 5μ"
SP20M1G10	SS20M1G10	22-20	.34-.50	Gold 10μ"
SP20M1G15	SS20M1G15	22-20	.34-.50	Gold 15μ"
SP20M1G30	SS20M1G30	22-20	.34-.50	Gold 30μ"
SP24M1F	SS24M1F	26-24	.14-.25	Gold Flash
SP24M1G5	SS24M1G5	26-24	.14-.25	Gold 5μ"
SP24M1G10	SS24M1G10	26-24	.14-.25	Gold 10μ"
SP24M1G15	SS24M1G15	26-24	.14-.25	Gold 15μ"
SP24M1G30	SS24M1G30	26-24	.14-.25	Gold 30μ"

Tools



STEP 1
Choose Receptacle Style

STEP 2
Choose Plug Style

Jam Nut Receptacles



Square Flange Receptacles



Plug



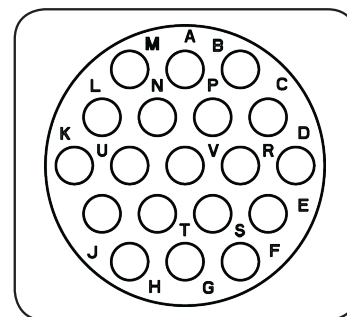
SEE TABLE ON NEXT PAGE FOR PART DETAILS

CONTACTS SOLD SEPARATELY SEE PAGE 164

Shell Size: 14 Number of Contacts: 19 Contact Size: 20
Sealing: IP67 / IP69k Salt Spray: 500h

eco | mate® Aquarius Standard Products

- Suitable For Indoor and Outdoor Applications
- EMI/RMI Shielding Capability with Appropriate Backshell
- Operating Temperature: -40°C to +125°C
- 500 Mating Cycles
- Contacts and Cord Grips Ordered Separately
- UL ECBT2 Certified*



Insert Arrangement
Pin (Male) Faceview

Connector Part Numbers - Receptacles

PART NO#	Description	Temperature Range	Figure Drawing
RTS714N19P03	Receptacle, jam nut, 19 positions, size 14, pin contact, silicone rubber seal	-40 to 125°C	1
RTS714N19PHEC03	Receptacle, jam nut, 19 positions, size 14, pin contact, silicone rubber seal, endcap	-40 to 125°C	3
RTS714N19S03	Receptacle, jam nut, 19 positions, size 14, for socket contact, silicone rubber seal	-40 to 125°C	2
RTS014N19P03	Receptacle, square flange, 19 positions, size 14, pin contact, silicone rubber seal	-40 to 125°C	4
RTS014N19PHEC03	Receptacle, square flange, 19 positions, size 14, pin contact, silicone rubber seal, endcap	-40 to 125°C	6
RTS014N19S03	Receptacle, square flange, 19 positions, size 14, for socket contact, silicone rubber seal	-40 to 125°C	5
RTS014N19SHEC03	Receptacle, square flange, 19 positions, size 14, for socket contact, silicone rubber seal, endcap	-40 to 125°C	7

Connector Part Numbers - Plugs

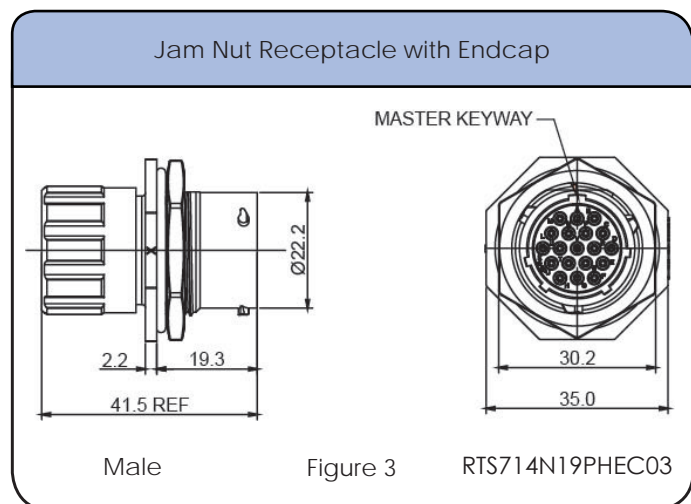
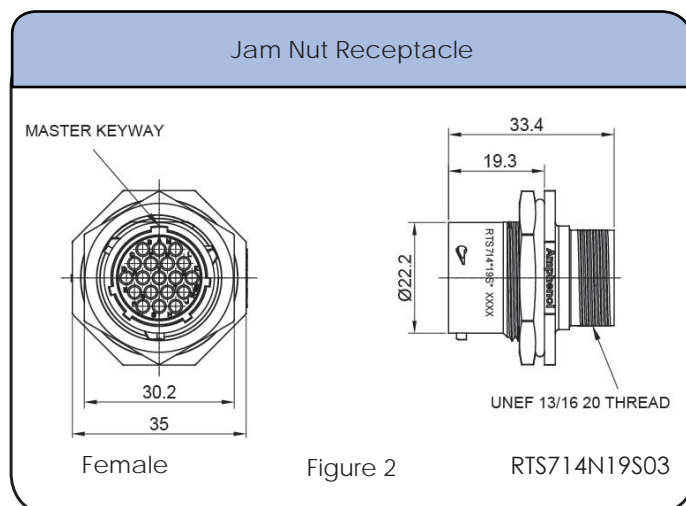
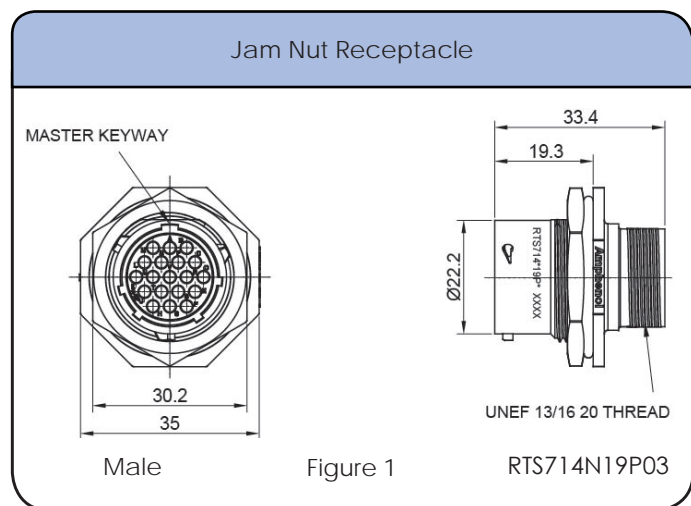
PART NO#	Description	Temperature Range	Figure Drawing
RTS6BS14N19P03	Straight plug with cord grip, 19 positions, size 14, pin contact, silicone rubber seal	-40 to 125°C	8
RTS6BS14N19PHEC03	Straight plug with end cap, 19 positions, size 14, pin contact, silicone rubber seal	-40 to 125°C	10
RTS6BS14N19S03	Straight plug with cord grip, 19 positions, size 14, socket contact, silicone rubber seal	-40 to 125°C	9
RTS6BS14N19SHEC03	Straight plug with end cap, 19 positions, size 14, socket contact, silicone rubber seal	-40 to 125°C	11

Contacts supplied separately see page 164

Shell Size: 14 Number of Contacts: 19
 Sealing: IP67 / IP69k Salt Spray: 500h

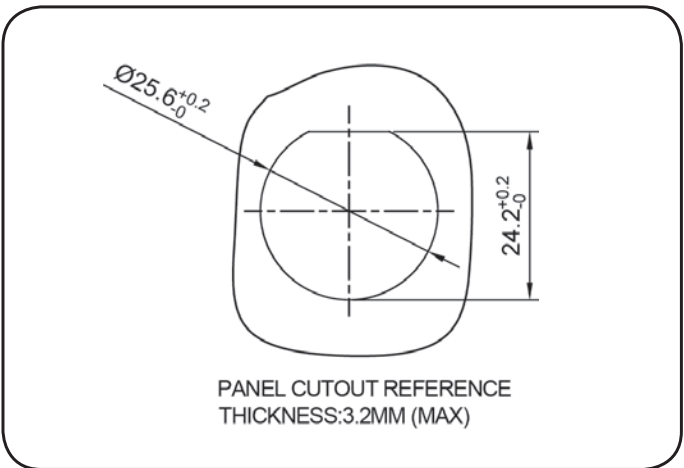
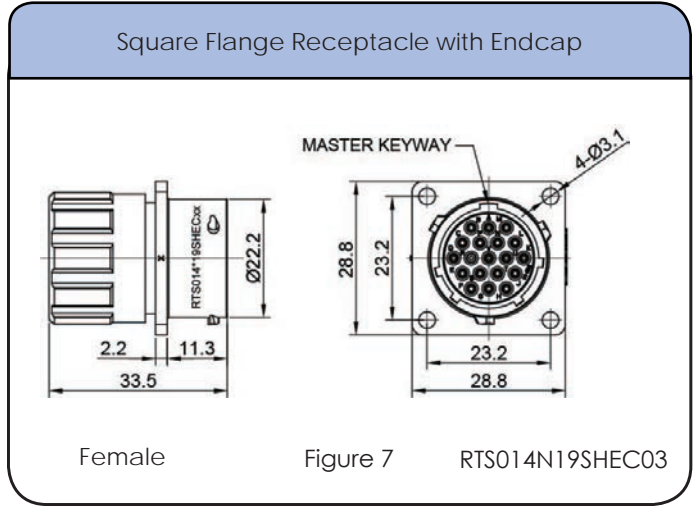
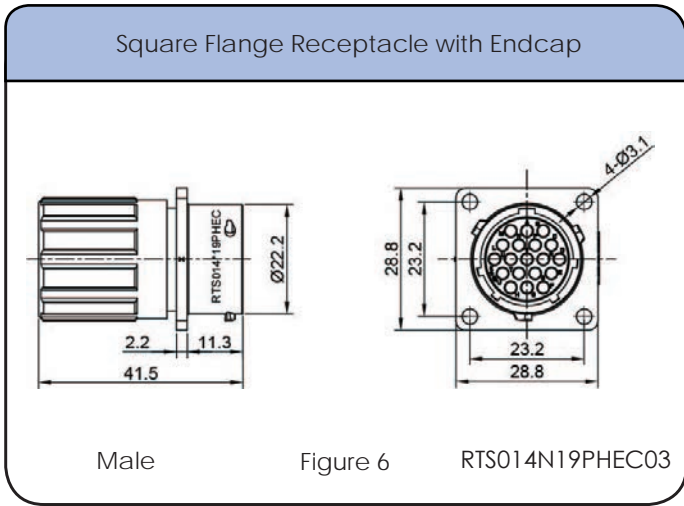
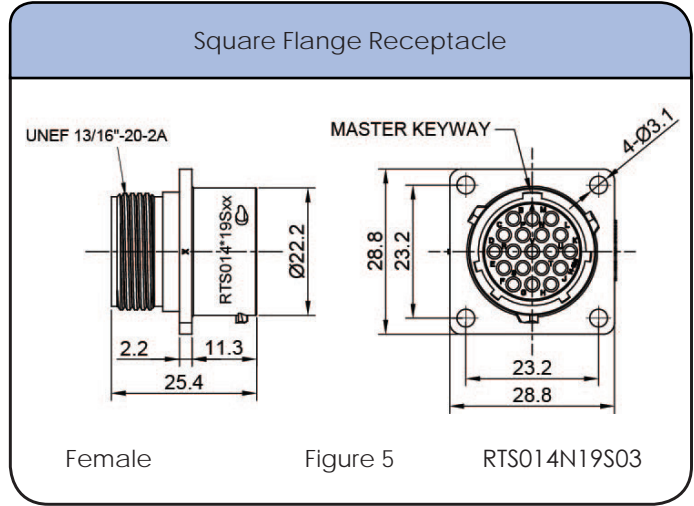
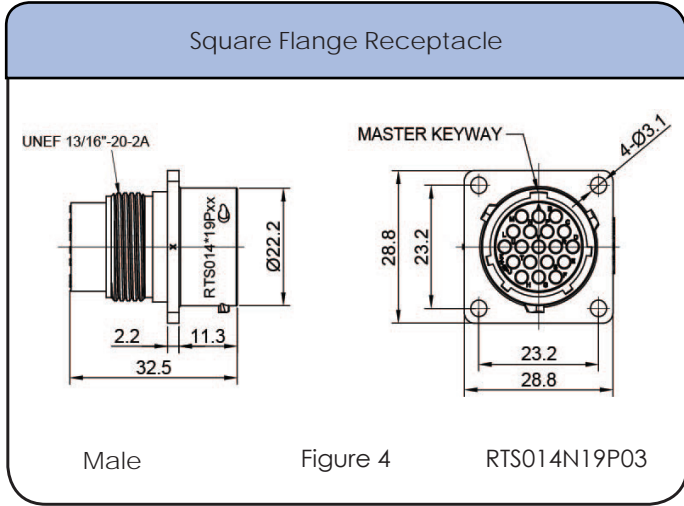
Contact Size: 20

Dimensions Jam Nut Receptacles



Shell Size: 14 Number of Contacts: 19 Contact Size: 20
Sealing: IP67 / IP69k Salt Spray: 500h

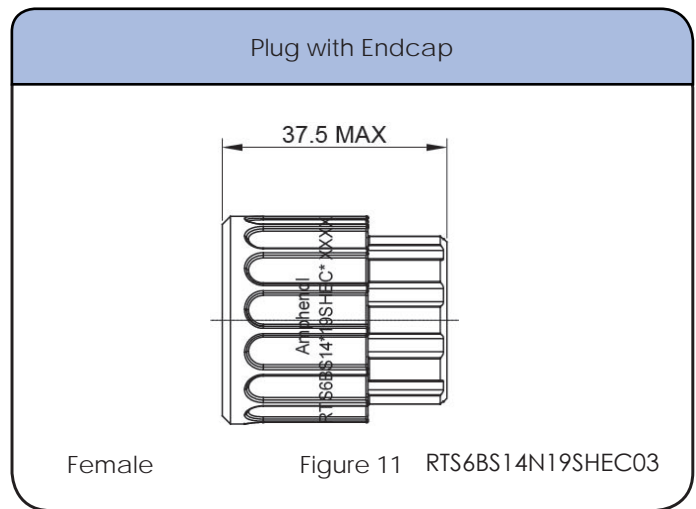
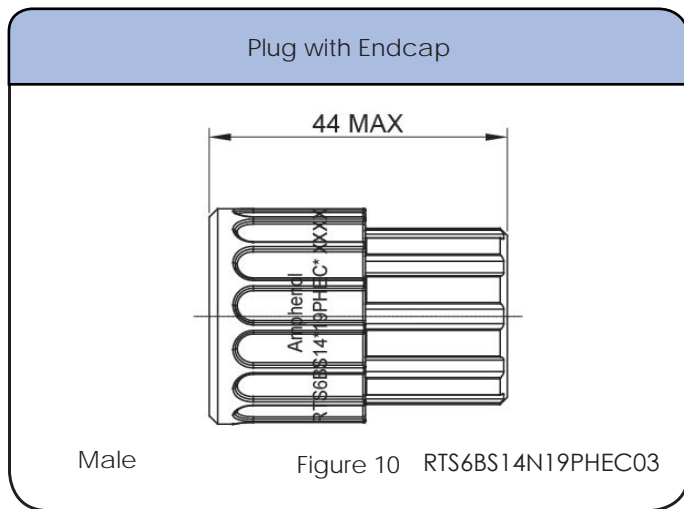
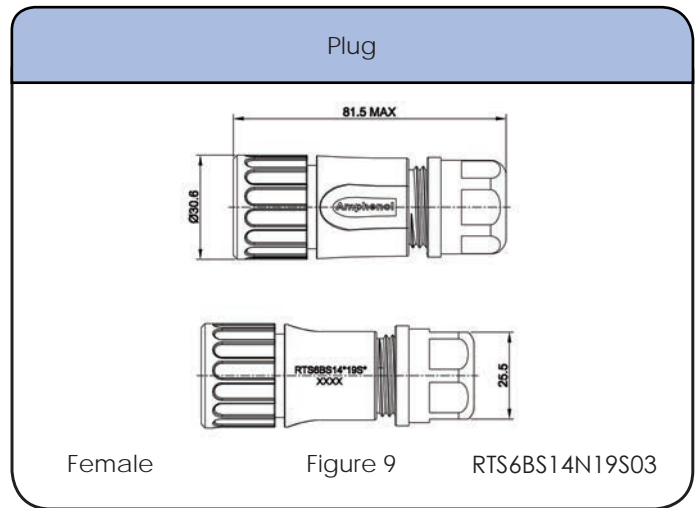
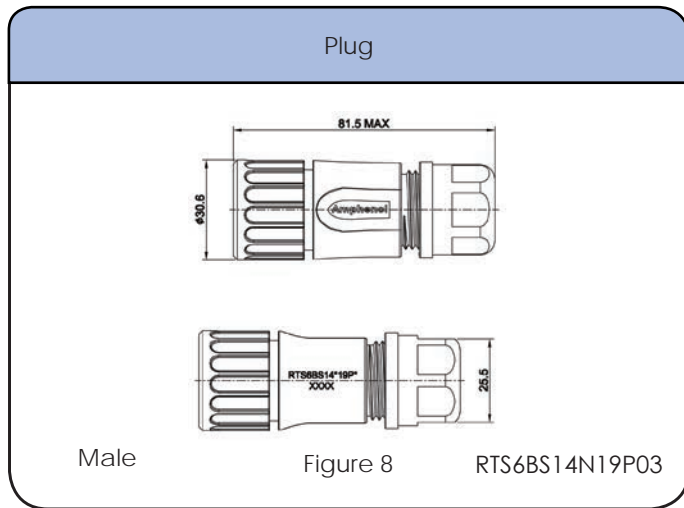
Dimensions Square Flange Receptacles



Shell Size: 14 Number of Contacts: 19
 Sealing: IP67 / IP69k Salt Spray: 500h

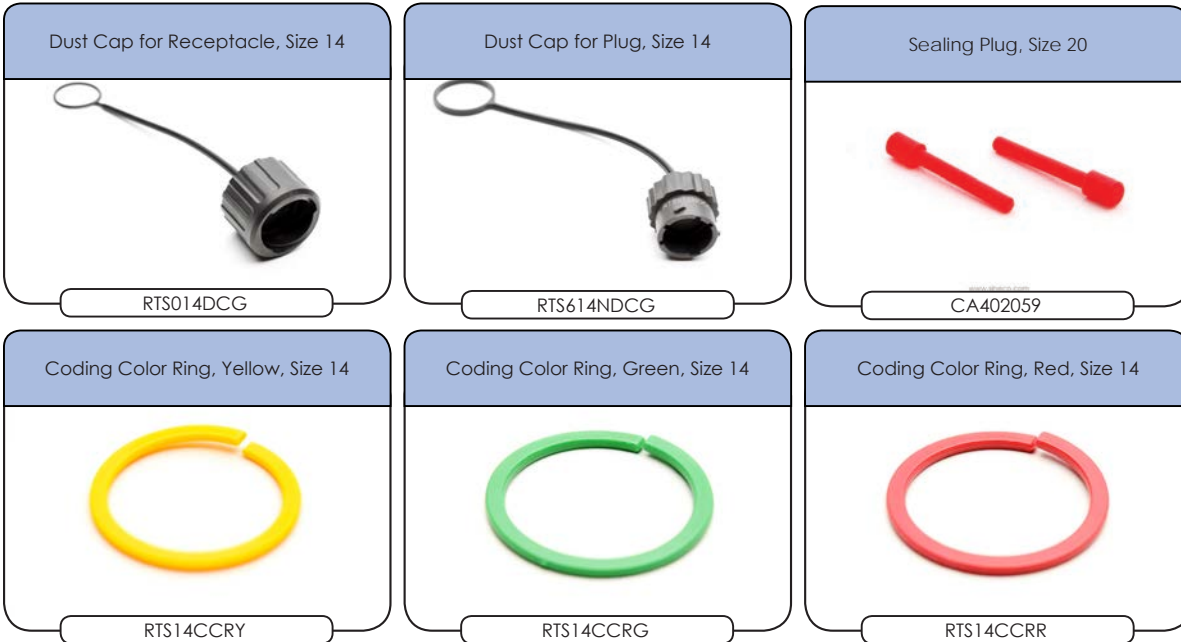
Contact Size: 20

Dimensions Plugs



Shell Size: 14 Number of Contacts: 19 Contact Size: 20
Sealing: IP67 / IP69k Salt Spray: 500h

Accessories



Shell Size: 14 Number of Contacts: 19 Contact Size: 20
 Sealing: IP67 / IP69k Salt Spray: 500h

Contacts



Crimp Contacts, Machined

Part Number		AWG	Wire Ranget (mm ²)	Plating
Male	Female			
MP20W23F	MS20W23F	22-20	.34-.50	Gold Flash
MP20W23G5	MS20W23G5	22-20	.34-.50	Gold 5μ"
MP20W23G10	MS20W23G10	22-20	.34-.50	Gold 10μ"
MP20W23G15	MS20W23G15	22-20	.34-.50	Gold 15μ"
MP20W23G30	MS20W23G30	22-20	.34-.50	Gold 30μ"
MP24W23F	MS24W23F	26-24	.13-.25	Gold Flash
MP24W23G5	MS24W23G5	26-24	.13-.25	Gold 5μ"
MP24W23G10	MS24W23G10	26-24	.13-.25	Gold 10μ"
MP24W23G15	MS24W23G15	26-24	.13-.25	Gold 15μ"
MP24W23G30	MS24W23G30	26-24	.13-.25	Gold 30μ"
MP28W23F	MS28W23F	30-28	.05-.08	Gold Flash
MP28W23G5	MS28W23G5	30-28	.05-.08	Gold 5μ"
MP28W23G10	MS28W23G10	30-28	.05-.08	Gold 10μ"
MP28W23G15	MS28W23G15	30-28	.05-.08	Gold 15μ"
MP28W23G30	MS28W23G30	30-28	.05-.08	Gold 30μ"

Tools



Shell Size: 14 Number of Contacts: 19 Contact Size: 20
Sealing: IP67 / IP69k Salt Spray: 500h

Contacts (con't)



Crimp Contacts, Stamped & Formed

Part Number		AWG	Wire Range (mm ²)	Plating
Male	Female			
SP20W1F	SS20W1F	22-20	.34-.50	Gold Flash
SP20W1G5	SS20W1G5	22-20	.34-.50	Gold 5μ"
SP20W1G10	SS20W1G10	22-20	.34-.50	Gold 10μ"
SP20W1G15	SS20W1G15	22-20	.34-.50	Gold 15μ"
SP20W1G30	SS20W1G30	22-20	.34-.50	Gold 30μ"
SP24W1F	SS24W1F	26-24	.14-.25	Gold Flash
SP24W1G5	SS24W1G5	26-24	.14-.25	Gold 5μ"
SP24W1G10	SS24W1G10	26-24	.14-.25	Gold 10μ"
SP24W1G15	SS24W1G15	26-24	.14-.25	Gold 15μ"
SP24W1G30	SS24W1G30	26-24	.14-.25	Gold 30μ"
SP28W1F	SS28W1F	30-28	.05-.08	Gold Flash
SP28W1G5	SS28W1G5	30-28	.05-.08	Gold 5μ"
SP28W1G10	SS28W1G10	30-28	.05-.08	Gold 10μ"
SP28W1G15	SS28W1G15	30-28	.05-.08	Gold 15μ"
SP28W1G30	SS28W1G30	30-28	.05-.08	Gold 30μ"

Tools



STEP 1
Choose Receptacle Style

STEP 2
Choose Plug Style

Jam Nut Receptacles



RTS716N19P03



RTS716N19S03



RTS716N19PHEC03

Square Flange Receptacles



RTS016N19P03



RTS016N19S03



RTS016N19PHEC03



RTS016N19SHEC03

Plug



RTS6BS16N19P03



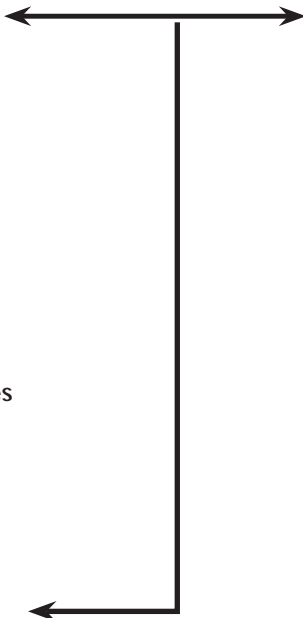
RTS6BS16N19S03



RTS6BS16N19PHEC03



RTS6BS16N19SHEC03



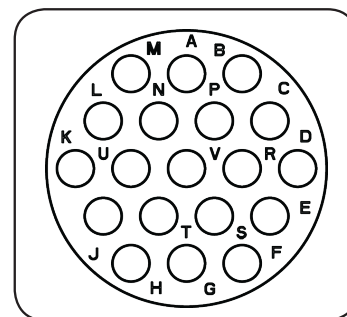
SEE TABLE ON NEXT PAGE FOR PART DETAILS

CONTACTS SOLD SEPARATELY SEE PAGE 172

Shell Size: 16 Number of Contacts: 19 Contact Size: 16
Sealing: IP67 / IP69k Salt Spray: 500h

eco | mate® Aquarius Standard Products

- Suitable For Indoor and Outdoor Applications
- EMI/RMI Shielding Capability with Appropriate Backshell
- Operating Temperature: -40°C to +125°C
- 500 Mating Cycles
- Contacts and Cord Grips Ordered Separately
- UL ECBT2 Certified*



Insert Arrangement
Pin (Male) Faceview

Connector Part Numbers - Receptacles

PART NO#	Description	Temperature Range	Figure Drawing
RTS716N19P03	Receptacle, jam nut, 19 positions, size 16, pin contact, silicone rubber seal	-40 to 125°C	1
RTS716N19PHE03	Receptacle, jam nut, 19 positions, size 16, pin contact, silicone rubber seal, endcap	-40 to 125°C	3
RTS716N19S03	Receptacle, jam nut, 19 positions, size 16, socket contact, silicone rubber seal	-40 to 125°C	2
RTS016N19P03	Receptacle, square flange, 19 positions, size 16, pin contact, silicone rubber seal	-40 to 125°C	5
RTS016N19PHEC03	Receptacle, square flange, 19 positions, size 16, pin contact, silicone rubber seal, endcap	-40 to 125°C	7
RTS016N19S03	Receptacle, square flange, 19 positions, size 16, socket contact, silicone rubber seal	-40 to 125°C	6
RTS016N19SHEC03	Receptacle, square flange, 19 positions, size 16, socket contact, silicone rubber seal, endcap	-40 to 125°C	8

Connector Part Numbers - Plugs

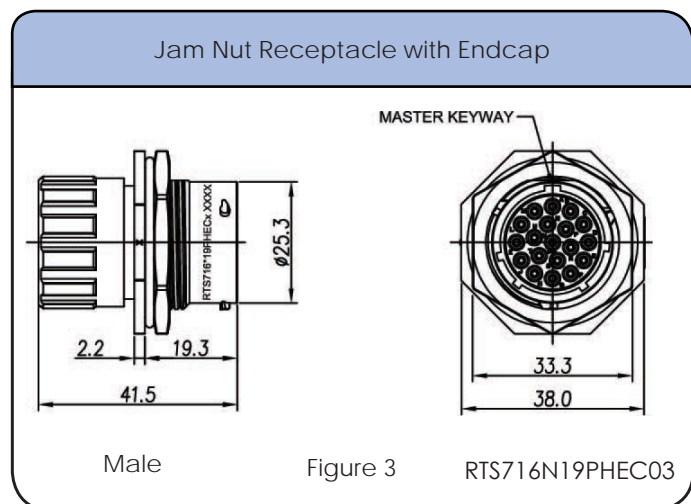
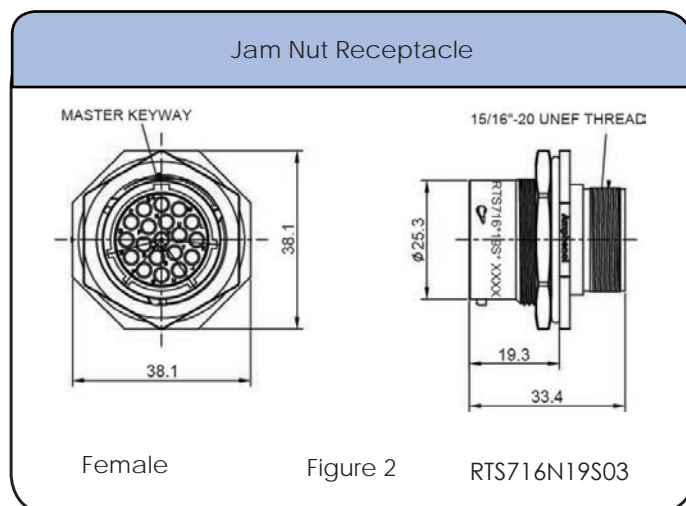
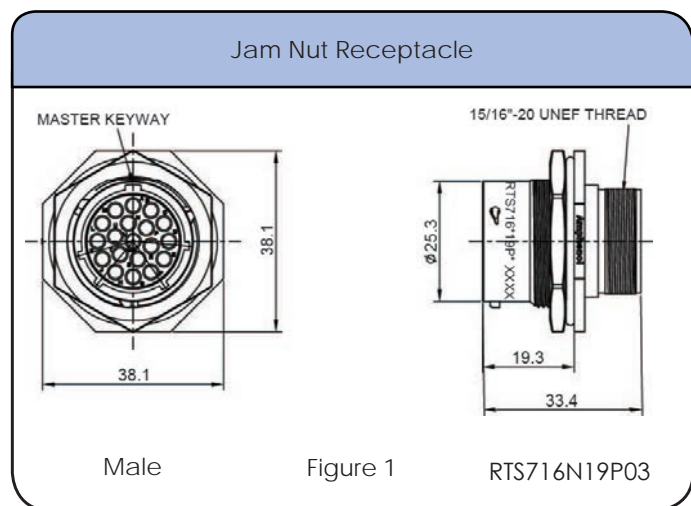
PART NO#	Description	Temperature Range	Figure Drawing
RTS6BS16N19P03	Straight plug with cord grip, 19 positions, size 16, pin contact, silicone rubber seal	-40 to 125°C	9
RTS6BS16N19PHEC03	Straight plug with endcap, 19 positions, size 16, pin contact	-40 to 125°C	11
RTS6BS16N19S03	Straight plug with cord grip, 19 positions, size 16, socket contact, silicone rubber seal	-40 to 125°C	10
RTS6BS16N19SHEC03	Straight plug with endcap, 19 positions, size 16, socket contact	-40 to 125°C	12

Contacts supplied separately see page 172

Shell Size: 16 Number of Contacts: 19
 Sealing: IP67 / IP69k Salt Spray: 500h

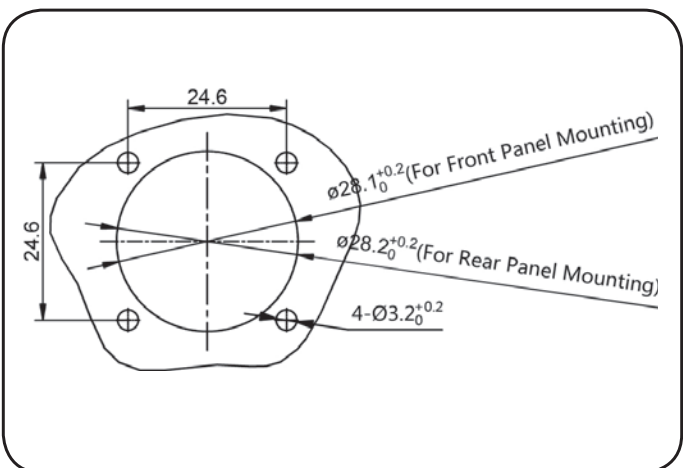
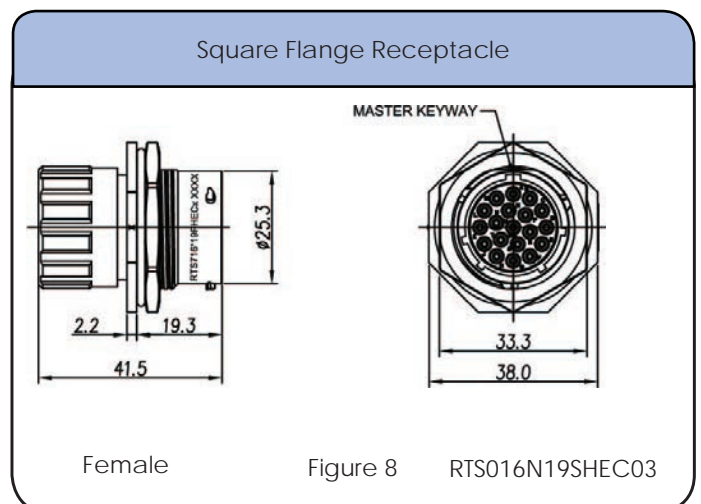
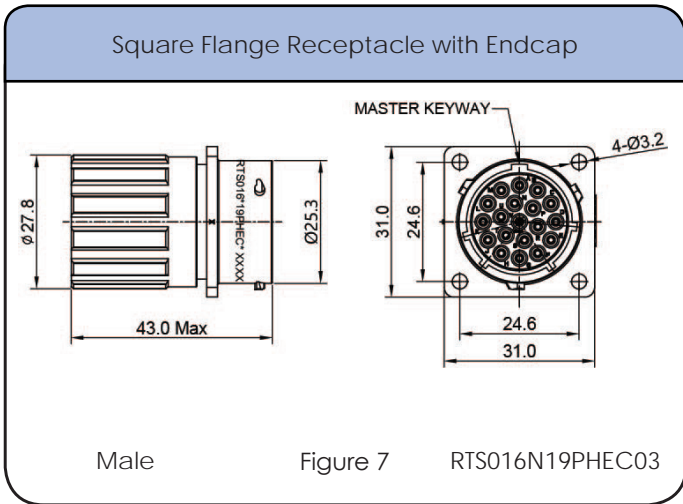
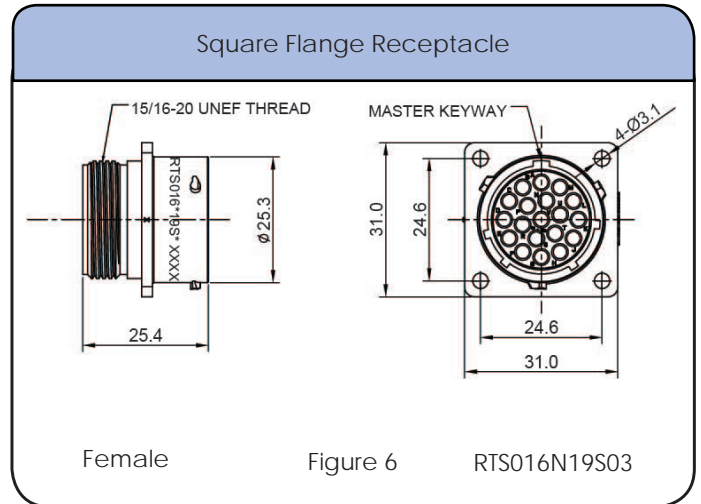
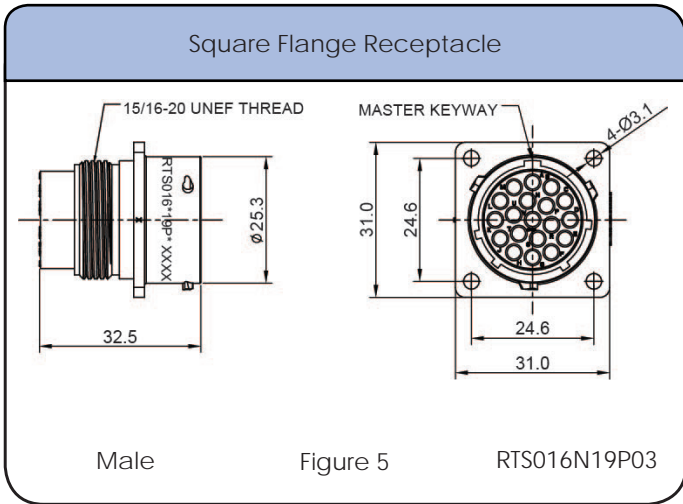
Contact Size: 16

Dimensions Jam Nut Receptacles



Shell Size: 16 Number of Contacts: 19 Contact Size: 16
Sealing: IP67 / IP69k Salt Spray: 500h

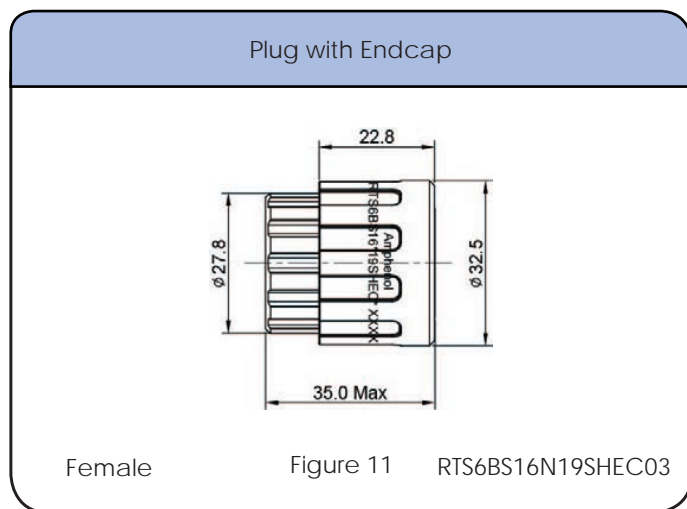
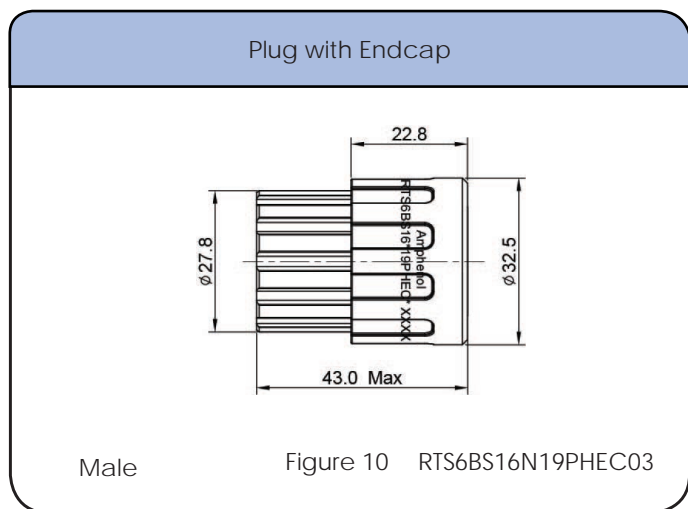
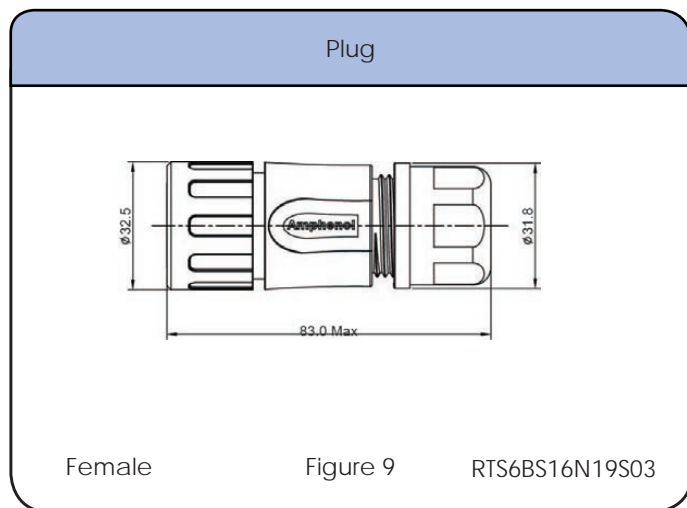
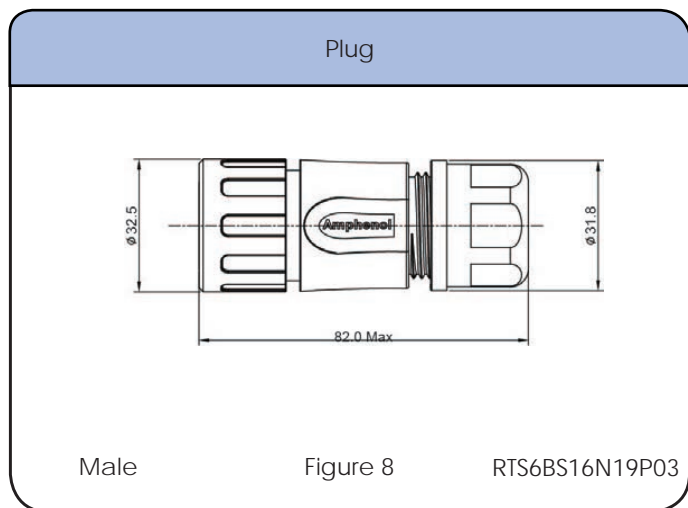
Dimensions Square Flange Receptacles



Shell Size: 16 Number of Contacts: 19
 Sealing: IP67 / IP69k Salt Spray: 500h

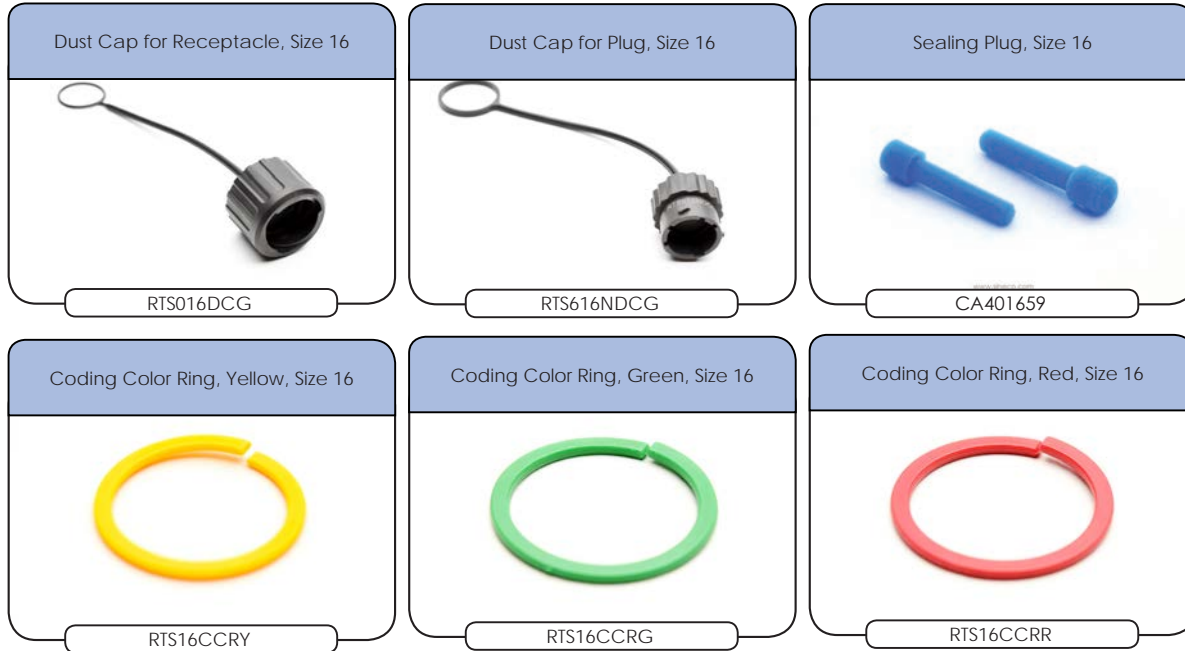
Contact Size: 16

Dimensions Plugs



Shell Size: 16 Number of Contacts: 19 Contact Size: 16
Sealing: IP67 / IP69k Salt Spray: 500h

Accessories



Shell Size: 16 Number of Contacts: 19 Contact Size: 16
 Sealing: IP67 / IP69k Salt Spray: 500h

Contacts



Crimp Contacts, Machined

Part Number		AWG	Wire Range (mm ²)	Plating
Male	Female			
MP14M23F	MS14M23F	14	2.0-2.5	Gold Flash
MP14M23G5	MS14M23G5	14	2.0-2.5	Gold 5μ"
MP14M23G10	MS14M23G10	14	2.0-2.5	Gold 10μ"
MP14M23G15	MS14M23G15	14	2.0-2.5	Gold 15μ"
MP14M23G30	MS14M23G30	14	2.0-2.5	Gold 30μ"
MP16M23F	MS16M23F	18-16	.75-1.5	Gold Flash
MP16M23G5	MS16M23G5	18-16	.75-1.5	Gold 5μ"
MP16M23G10	MS16M23G10	18-16	.75-1.5	Gold 10μ"
MP16M23G15	MS16M23G15	18-16	.75-1.5	Gold 15μ"
MP16M23G30	MS16M23G30	18-16	.75-1.5	Gold 30μ"
MP20M23F	MS20M23F	22-20	.34-.50	Gold Flash
MP20M23G5	MS20M23G5	22-20	.34-.50	Gold 5μ"
MP20M23G10	MS20M23G10	22-20	.34-.50	Gold 10μ"
MP20M23G15	MS20M23G15	22-20	.34-.50	Gold 15μ"
MP20M23G30	MS20M23G30	22-20	.34-.50	Gold 30μ"
MP24M23F	MS24M23F	26-24	.14-.25	Gold Flash
MP24M23G5	MS24M23G5	26-24	.14-.25	Gold 5μ"
MP24M23G10	MS24M23G10	26-24	.14-.25	Gold 10μ"
MP24M23G15	MS24M23G15	26-24	.14-.25	Gold 15μ"
MP24M23G30	MS24M23G30	26-24	.14-.25	Gold 30μ"

Tools



Shell Size: 16 Number of Contacts: 19 Contact Size: 16
Sealing: IP67 / IP69k Salt Spray: 500h

Contacts (con't)



Stamped & Formed Contacts

Crimp Contacts, Stamped & Formed

Part Number		AWG	Wire Range (mm ²)	Plating
Male	Female			
SP14M1F	SS14M1F	14	2.0-2.5	Gold Flash
SP14M1G5	SS14M1G5	14	2.0-2.5	Gold 5μ"
SP14M1G10	SS14M1G10	14	2.0-2.5	Gold 10μ"
SP14M1G15	SS14M1G15	14	2.0-2.5	Gold 15μ"
SP14M1G30	SS14M1G30	14	2.0-2.5	Gold 30μ"
SP16M1F	SS16M1F	18-16	.75-1.5	Gold Flash
SP16M1G5	SS16M1G5	18-16	.75-1.5	Gold 5μ"
SP16M1G10	SS16M1G10	18-16	.75-1.5	Gold 10μ"
SP16M1G15	SS16M1G15	18-16	.75-1.5	Gold 15μ"
SP16M1G30	SS16M1G30	18-16	.75-1.5	Gold 30μ"
SP20M1F	SS20M1F	22-20	.34-.50	Gold Flash
SP20M1G5	SS20M1G5	22-20	.34-.50	Gold 5μ"
SP20M1G10	SS20M1G10	22-20	.34-.50	Gold 10μ"
SP20M1G15	SS20M1G15	22-20	.34-.50	Gold 15μ"
SP20M1G30	SS20M1G30	22-20	.34-.50	Gold 30μ"
SP24M1F	SS24M1F	26-24	.14-.25	Gold Flash
SP24M1G5	SS24M1G5	26-24	.14-.25	Gold 5μ"
SP24M1G10	SS24M1G10	26-24	.14-.25	Gold 10μ"
SP24M1G15	SS24M1G15	26-24	.14-.25	Gold 15μ"
SP24M1G30	SS24M1G30	26-24	.14-.25	Gold 30μ"

Tools



QXRT16



MFX-3954



MFX-3957

STEP 1
Choose Receptacle Style

STEP 2
Choose Plug Style

Jam Nut Receptacles



Square Flange Receptacles



Plug



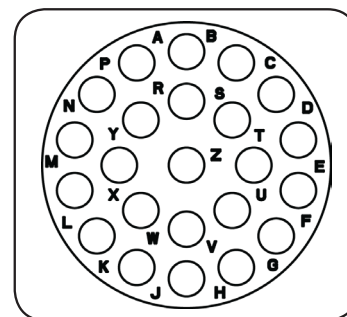
SEE TABLE ON NEXT PAGE FOR PART DETAILS

CONTACTS SOLD SEPARATELY SEE PAGE 180

Shell Size: 18 Number of Contacts: 23 Contact Size: 16
Sealing: IP67 / IP69k Salt Spray: 500h

eco | mate® Aquarius Standard Products

- Suitable For Indoor and Outdoor Applications
- EMI/RMI Shielding Capability with Appropriate Backshell
- Operating Temperature: -40°C to +125°C
- 500 Mating Cycles
- Contacts and Cord Grips Ordered Separately
- UL ECBT2 Certified*



Insert Arrangement
Pin (Male) Faceview

Connector Part Numbers - Receptacles

PART NO#	Description	Temperature Range	Figure Drawing
RTS718N23P03	Receptacle, jam nut, 23 positions, size 18, pin contact, silicone rubber seal	-40 to 125°C	1
RTS718N23PHEC03	Receptacle, jam nut, 23 positions, size 18, pin contact, silicone rubber seal, endcap	-40 to 125°C	3
RTS718N23S03	Receptacle, jam nut, 23 positions, size 18, socket contact, silicone rubber seal, endcap	-40 to 125°C	2
RTS018N23P03	Receptacle, square flange, 23 positions, size 18, pin contact, silicone rubber seal	-40 to 125°C	4
RTS018N23PHEC03	Receptacle, square flange, 23 positions, size 18, pin contact, silicone rubber seal, endcap	-40 to 125°C	6
RTS018N23S03	Receptacle, square flange, 23 positions, size 18, socket contact, silicone rubber seal	-40 to 125°C	5
RTS018N23SHEC03	Receptacle, square flange, 23 positions, size 18, socket contact, silicone rubber seal, with endcap	-40 to 125°C	7

Connector Part Numbers - Plugs

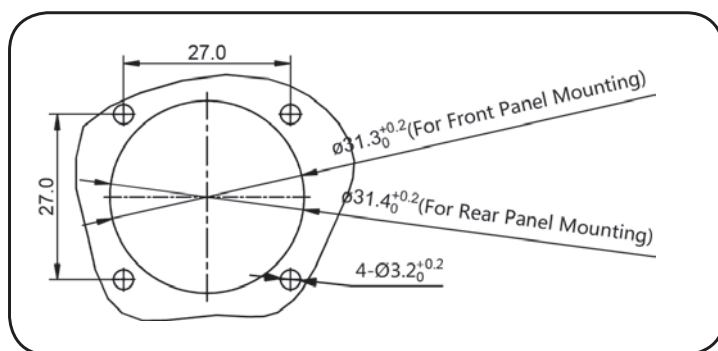
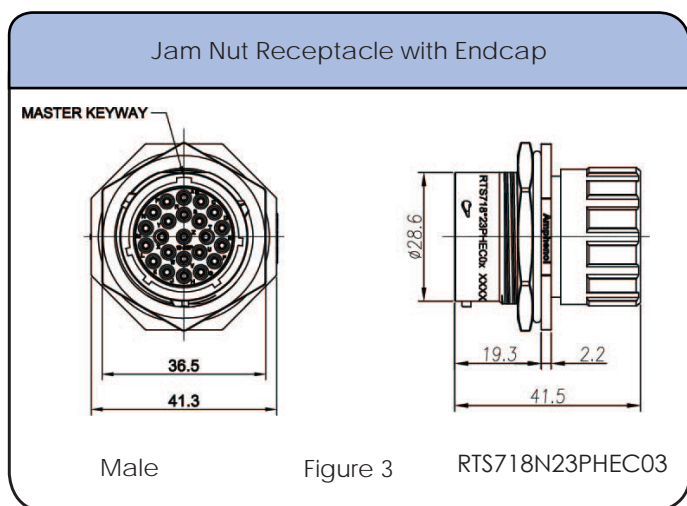
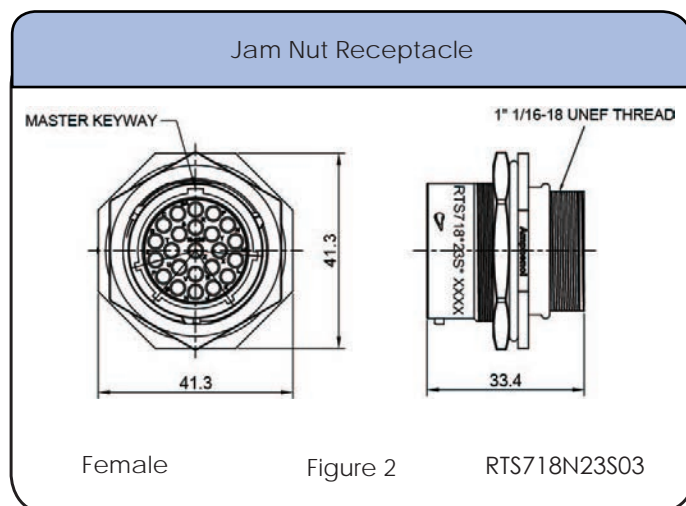
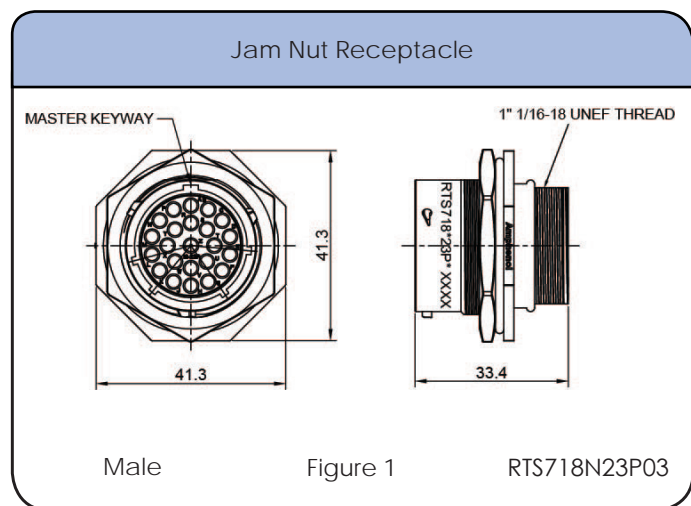
PART NO#	Description	Temperature Range	Figure Drawing
RTS6BS18N23P03	Straight plug with cord grip, 23 positions, size 18, pin contact, silicone rubber seal	-40 to 125°C	8
RTS6BS18N23PHEC03	Straight plug with endcap, 23 positions, size 18, pin contact, endcap	-40 to 125°C	10
RTS6BS18N23S03	Straight plug with cord grip, 23 positions, size 18, socket contact, silicone rubber seal	-40 to 125°C	9
RTS6BS18N23SHEC03	Straight plug with endcap, 23 positions, size 18, socket contact, endcap	-40 to 125°C	11

Contacts supplied separately see page 180

Shell Size: 18 Number of Contacts: 23
 Sealing: IP67 / IP69k Salt Spray: 500h

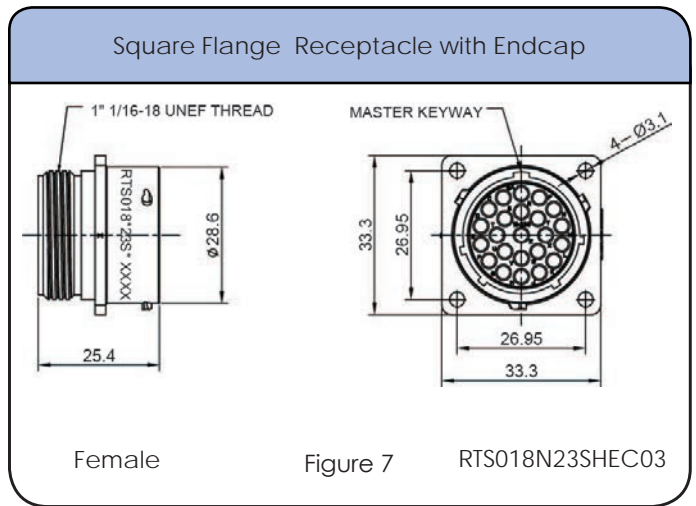
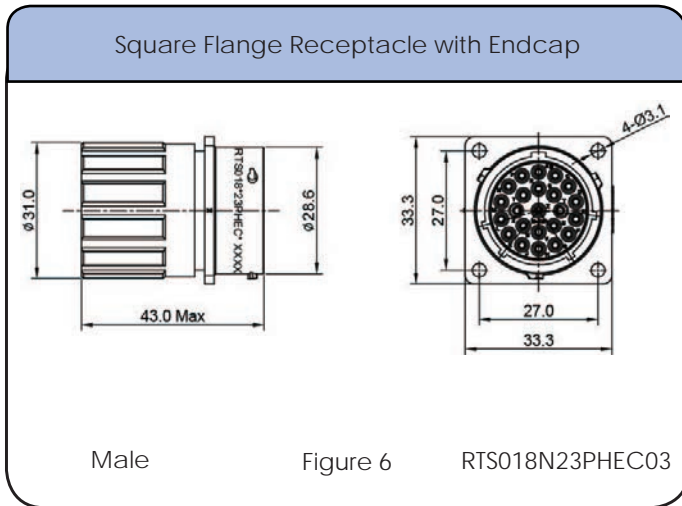
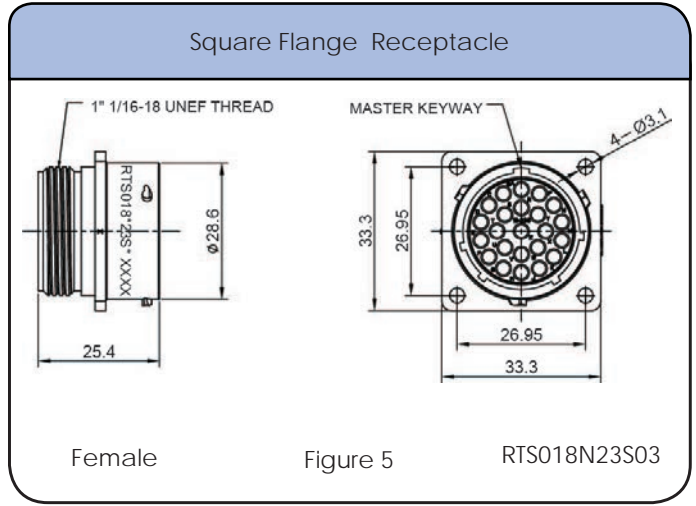
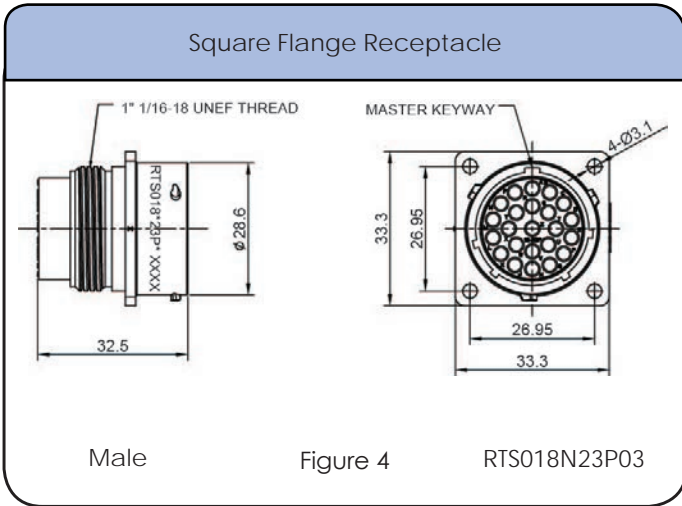
Contact Size: 16

Dimensions Jam Nut



Shell Size: 18 Number of Contacts: 23 Contact Size: 16
Sealing: IP67 / IP69k Salt Spray: 500h

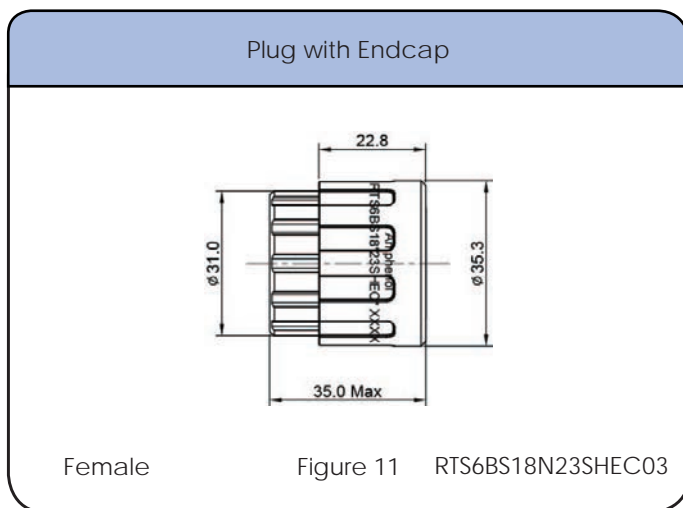
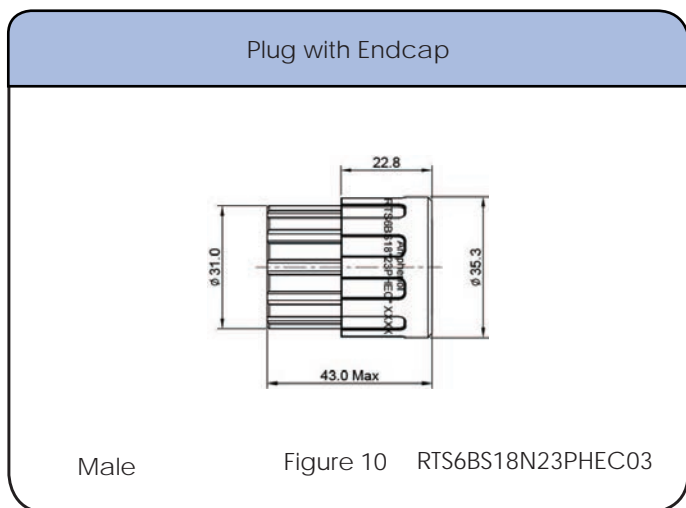
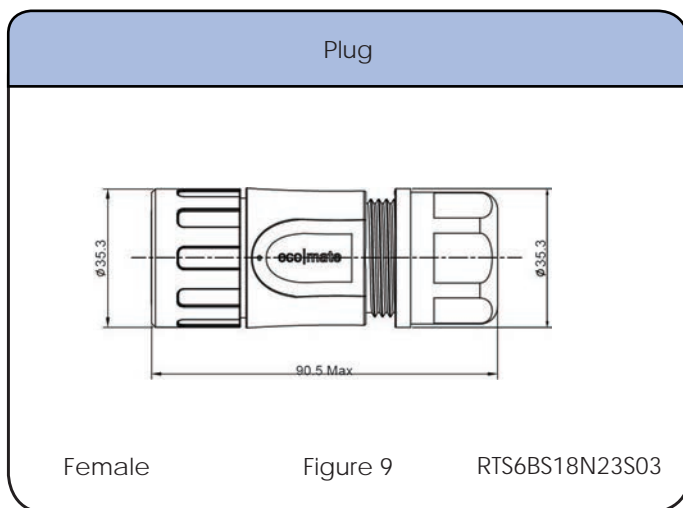
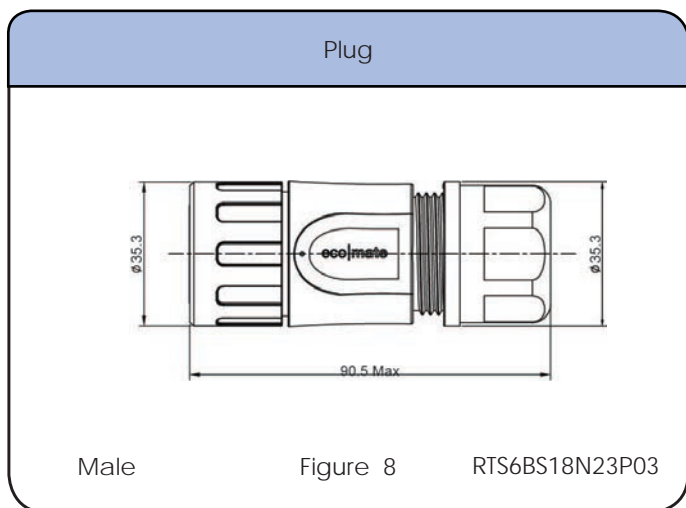
Dimensions Square Flange Receptacles



Shell Size: 18 Number of Contacts: 23
 Sealing: IP67 / IP69k Salt Spray: 500h

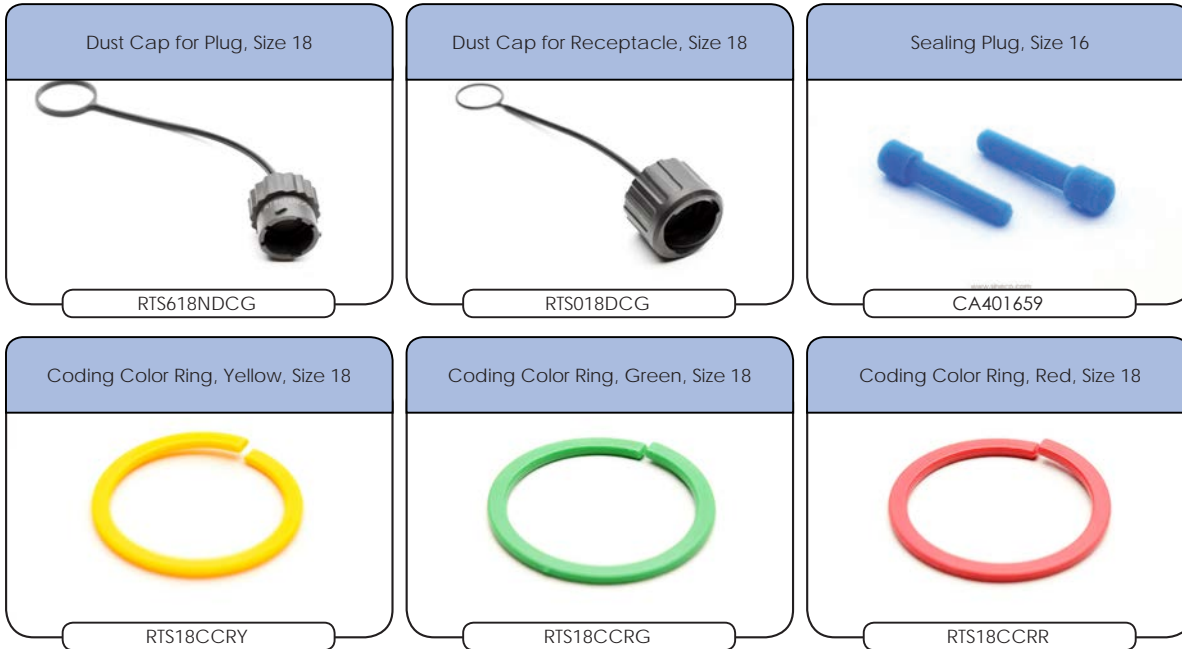
Contact Size: 16

Dimensions Plugs



Shell Size: 18 Number of Contacts: 23 Contact Size: 16
Sealing: IP67 / IP69k Salt Spray: 500h

Accessories



Shell Size: 18 Number of Contacts: 23 Contact Size: 16
 Sealing: IP67 / IP69k Salt Spray: 500h

Contacts



Crimp Contacts, Machined

Part Number		AWG	Wire Range (mm ²)	Plating
Male	Female			
MP14M23F	MS14M23F	14	2.0-2.5	Gold Flash
MP14M23G5	MS14M23G5	14	2.0-2.5	Gold 5μ"
MP14M23G10	MS14M23G10	14	2.0-2.5	Gold 10μ"
MP14M23G15	MS14M23G15	14	2.0-2.5	Gold 15μ"
MP14M23G30	MS14M23G30	14	2.0-2.5	Gold 30μ"
MP16M23F	MS16M23F	18-16	.75-1.5	Gold Flash
MP16M23G5	MS16M23G5	18-16	.75-1.5	Gold 5μ"
MP16M23G10	MS16M23G10	18-16	.75-1.5	Gold 10μ"
MP16M23G15	MS16M23G15	18-16	.75-1.5	Gold 15μ"
MP16M23G30	MS16M23G30	18-16	.75-1.5	Gold 30μ"
MP20M23F	MS20M23F	22-20	.34-.50	Gold Flash
MP20M23G5	MS20M23G5	22-20	.34-.50	Gold 5μ"
MP20M23G10	MS20M23G10	22-20	.34-.50	Gold 10μ"
MP20M23G15	MS20M23G15	22-20	.34-.50	Gold 15μ"
MP20M23G30	MS20M23G30	22-20	.34-.50	Gold 30μ"
MP24M23F	MS24M23F	26-24	.14-.25	Gold Flash
MP24M23G5	MS24M23G5	26-24	.14-.25	Gold 5μ"
MP24M23G10	MS24M23G10	26-24	.14-.25	Gold 10μ"
MP24M23G15	MS24M23G15	26-24	.14-.25	Gold 15μ"
MP24M23G30	MS24M23G30	26-24	.14-.25	Gold 30μ"

Tools



Shell Size: 18 Number of Contacts: 23 Contact Size: 16
Sealing: IP67 / IP69k Salt Spray: 500h

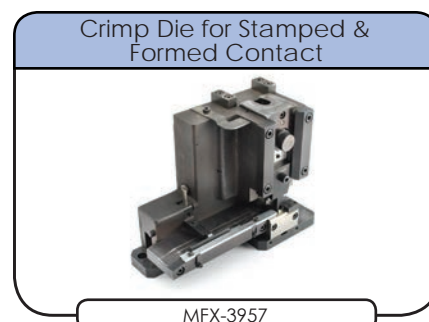
Contacts (con't)



Crimp Contacts, Stamped & Formed

Part Number		AWG	Wire Range (mm ²)	Plating
Male	Female			
SP14M1F	SS14M1F	14	2.0-2.5	Gold Flash
SP14M1G5	SS14M1G5	14	2.0-2.5	Gold 5μ"
SP14M1G10	SS14M1G10	14	2.0-2.5	Gold 10μ"
SP14M1G15	SS14M1G15	14	2.0-2.5	Gold 15μ"
SP14M1G30	SS14M1G30	14	2.0-2.5	Gold 30μ"
SP16M1F	SS16M1F	18-16	.75-1.5	Gold Flash
SP16M1G5	SS16M1G5	18-16	.75-1.5	Gold 5μ"
SP16M1G10	SS16M1G10	18-16	.75-1.5	Gold 10μ"
SP16M1G15	SS16M1G15	18-16	.75-1.5	Gold 15μ"
SP16M1G30	SS16M1G30	18-16	.75-1.5	Gold 30μ"
SP20M1F	SS20M1F	22-20	.34-.50	Gold Flash
SP20M1G5	SS20M1G5	22-20	.34-.50	Gold 5μ"
SP20M1G10	SS20M1G10	22-20	.34-.50	Gold 10μ"
SP20M1G15	SS20M1G15	22-20	.34-.50	Gold 15μ"
SP20M1G30	SS20M1G30	22-20	.34-.50	Gold 30μ"
SP24M1F	SS24M1F	26-24	.14-.25	Gold Flash
SP24M1G5	SS24M1G5	26-24	.14-.25	Gold 5μ"
SP24M1G10	SS24M1G10	26-24	.14-.25	Gold 10μ"
SP24M1G15	SS24M1G15	26-24	.14-.25	Gold 15μ"
SP24M1G30	SS24M1G30	26-24	.14-.25	Gold 30μ"

Tools



STEP 1
Choose Receptacle Style

STEP 2
Choose Plug Style

Jam Nut Receptacles



Square Flange Receptacles



Plug



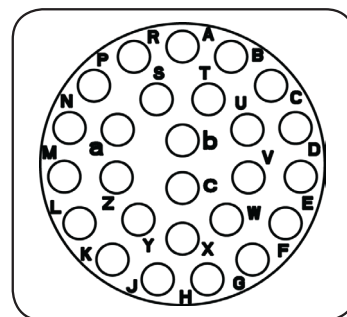
SEE TABLE ON NEXT PAGE FOR PART DETAILS

CONTACTS SOLD SEPARATELY SEE PAGE 188

Shell Size: 16 Number of Contacts: 26 Contact Size: 20
Sealing: IP67 / IP69k Salt Spray: 500h

**eco | mate® Aquarius
Standard Products**

- Suitable For Indoor and Outdoor Applications
- EMI/RMI Shielding Capability with Appropriate Backshell
- Operating Temperature: -40°C to +125°C
- 500 Mating Cycles
- Contacts and Cord Grips Ordered Separately
- UL ECBT2 Certified*



Insert Arrangement
Pin (Male) Faceview

Connector Part Numbers - Receptacles

PART NO#	Description	Temperature Range	Figure Drawing
RTS716N26P03	Receptacle, jam nut, 26 positions, size 16, pin contact, silicone rubber seal	-40 to 125°C	1
RTS716N26PHEC03	Receptacle, jam nut, 26 positions, size 16, pin contact, silicone rubber seal, endcap	-40 to 125°C	3
RTS716N26S03	Receptacle, jam nut, 26 positions, size 16, for socket contact, silicone rubber seal	-40 to 125°C	2
RTS016N26P03	Receptacle, square flange, 26 positions, size 16, pin contact, silicone rubber seal	-40 to 125°C	4
RTS016N26PHEC03	Receptacle, square flange, 26 positions, size 16, pin contact, silicone rubber seal, endcap	-40 to 125°C	6
RTS016N26S03	Receptacle, square flange, 26 positions, size 16, for socket contact, silicone rubber seal	-40 to 125°C	5
RTS016N26SHEC03	Receptacle, square flange, 26 positions, size 16, for socket contact, silicone rubber seal, with endcap	-40 to 125°C	7

Connector Part Numbers - Plugs

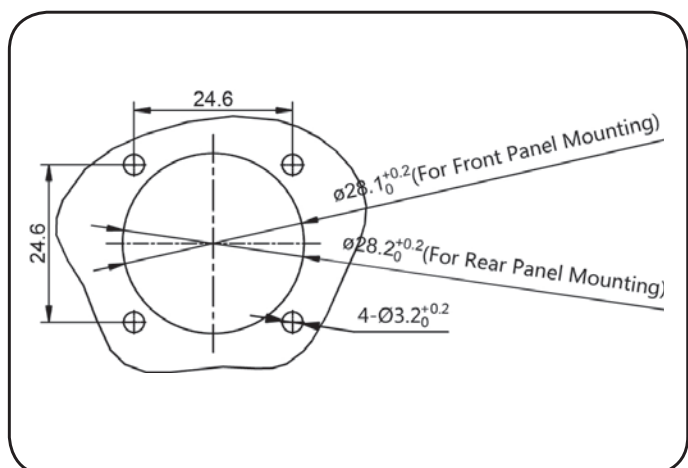
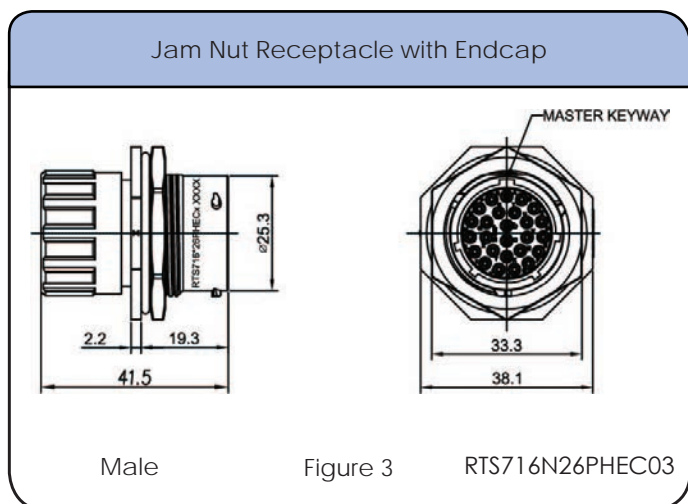
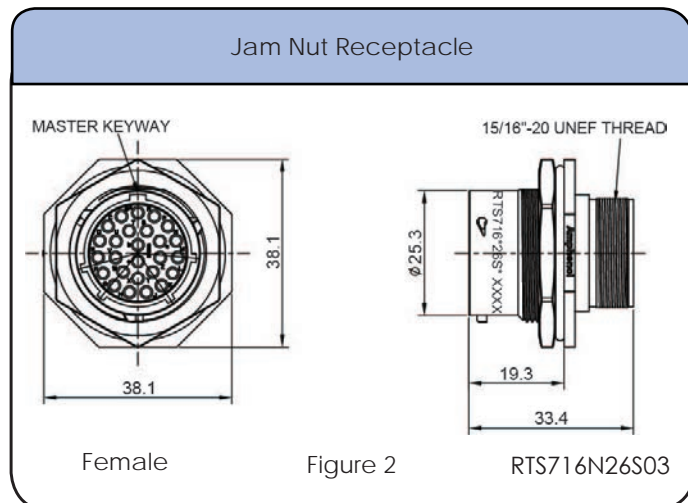
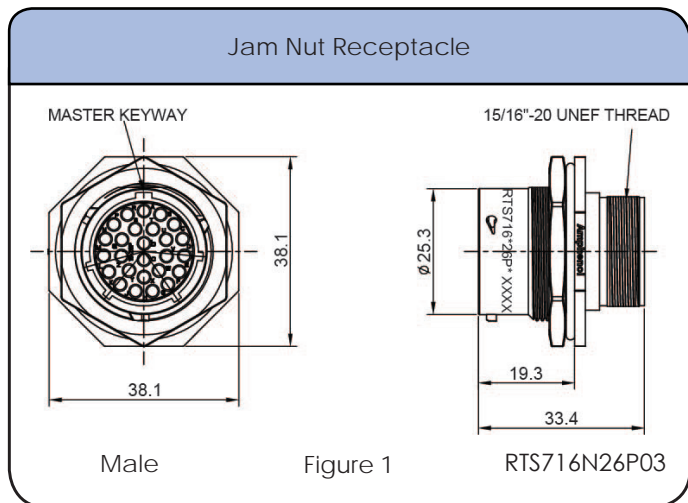
PART NO#	Description	Temperature Range	Figure Drawing
RTS6BS16N26P03	Straight plug with cord grip, 26 positions, size 16, pin contact, silicone rubber seal	-40 to 125°C	8
RTS6BS16N26PHEC03	Straight plug with end cap, 26 positions, size 16, pin contact, silicone rubber seal	-40 to 125°C	10
RTS6BS16N26S03	Straight plug with cord grip, 26 positions, size 16, socket contact, silicone rubber seal	-40 to 125°C	9
RTS6BS16N26SHEC03	Straight plug with end cap, 26 positions, size 16, socket contact, silicone rubber seal	-40 to 125°C	11

Contacts supplied separately see page 188

Shell Size: 16 Number of Contacts: 26
 Sealing: IP67 / IP69k Salt Spray: 500h

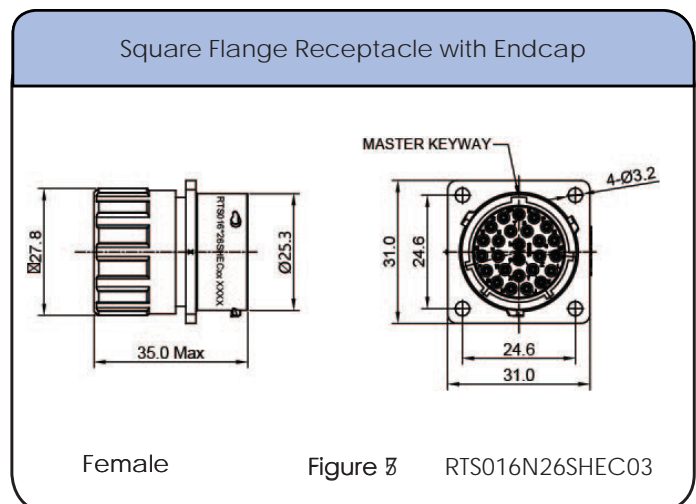
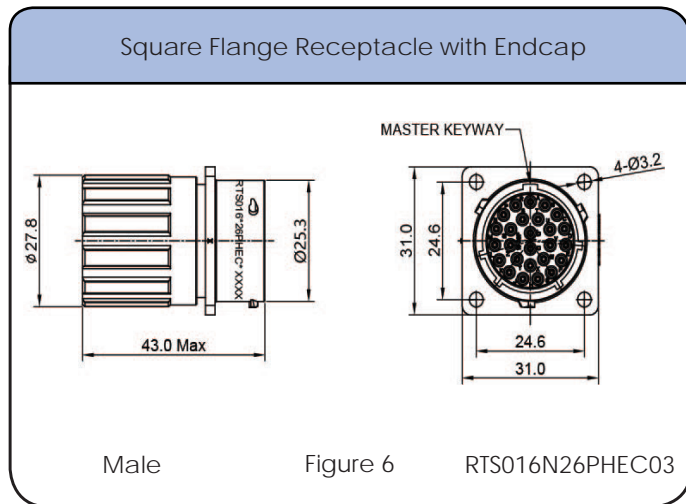
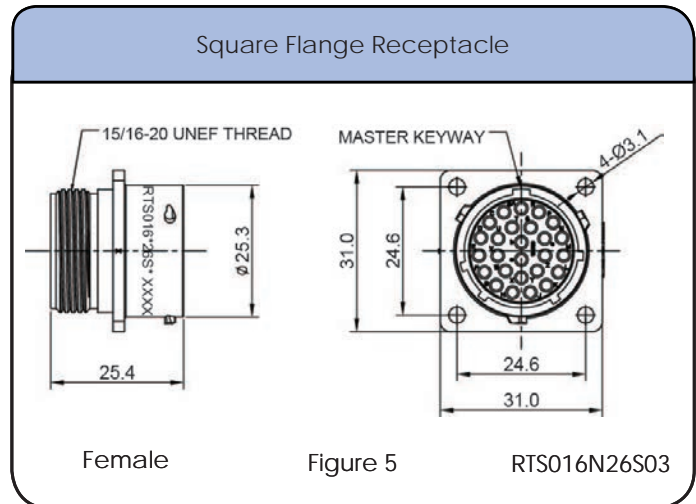
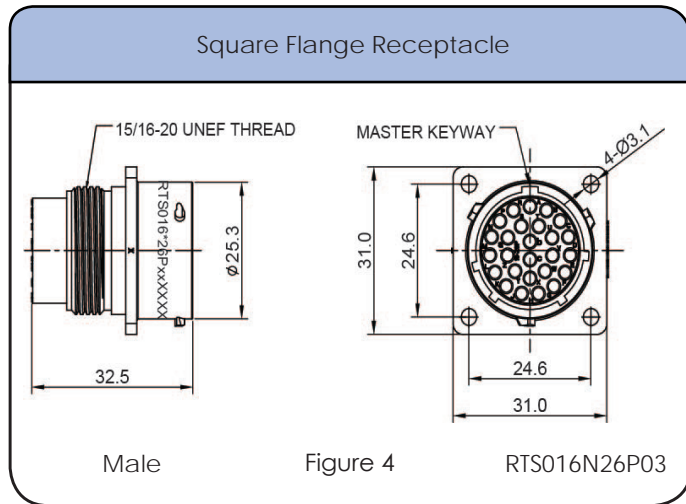
Contact Size: 20

Dimensions Jam Nut



Shell Size: 16 Number of Contacts: 26 Contact Size: 20
Sealing: IP67 / IP69k Salt Spray: 500h

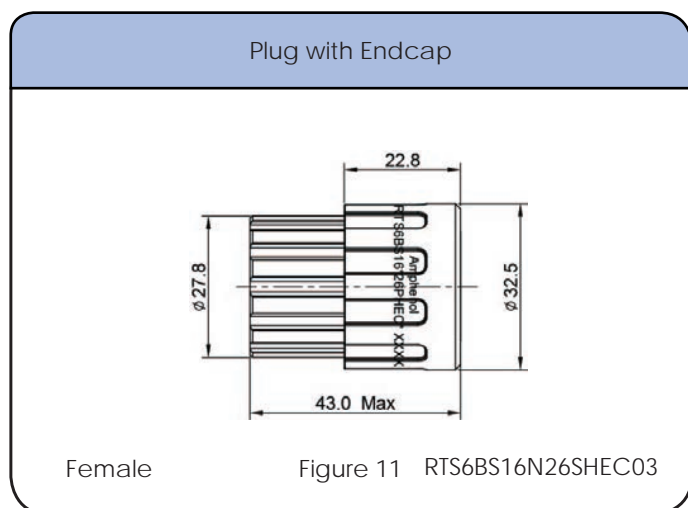
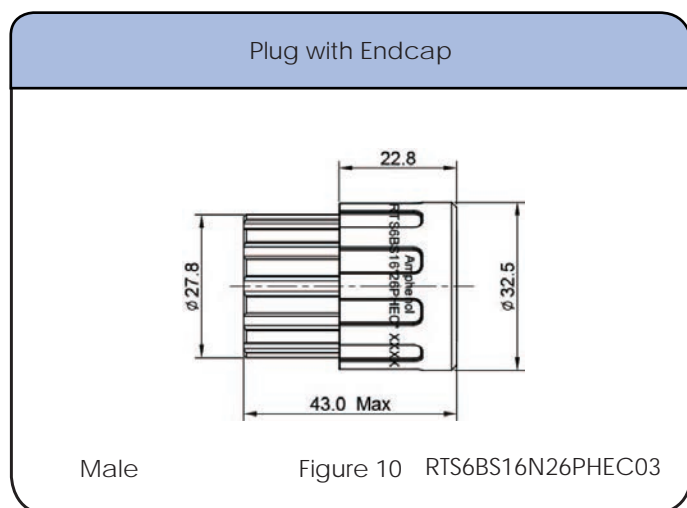
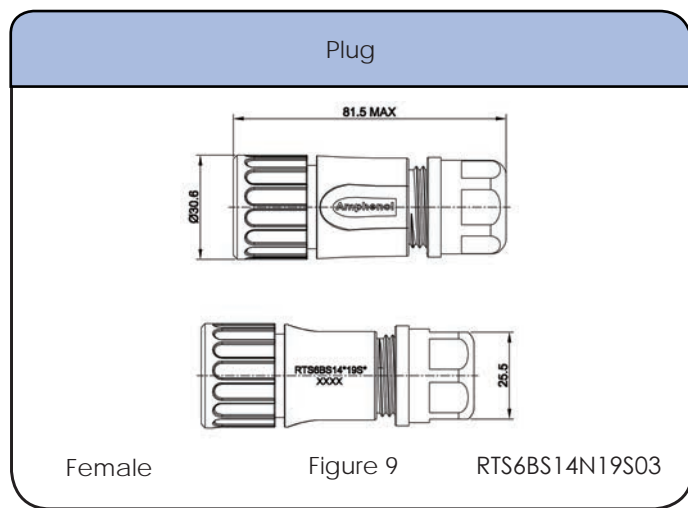
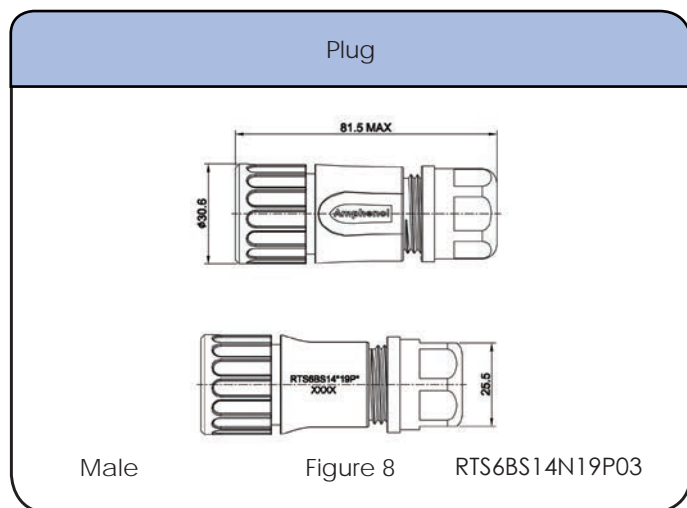
Dimensions Square Flange Receptacles



Shell Size: 16 Number of Contacts: 26
 Sealing: IP67 / IP69k Salt Spray: 500h

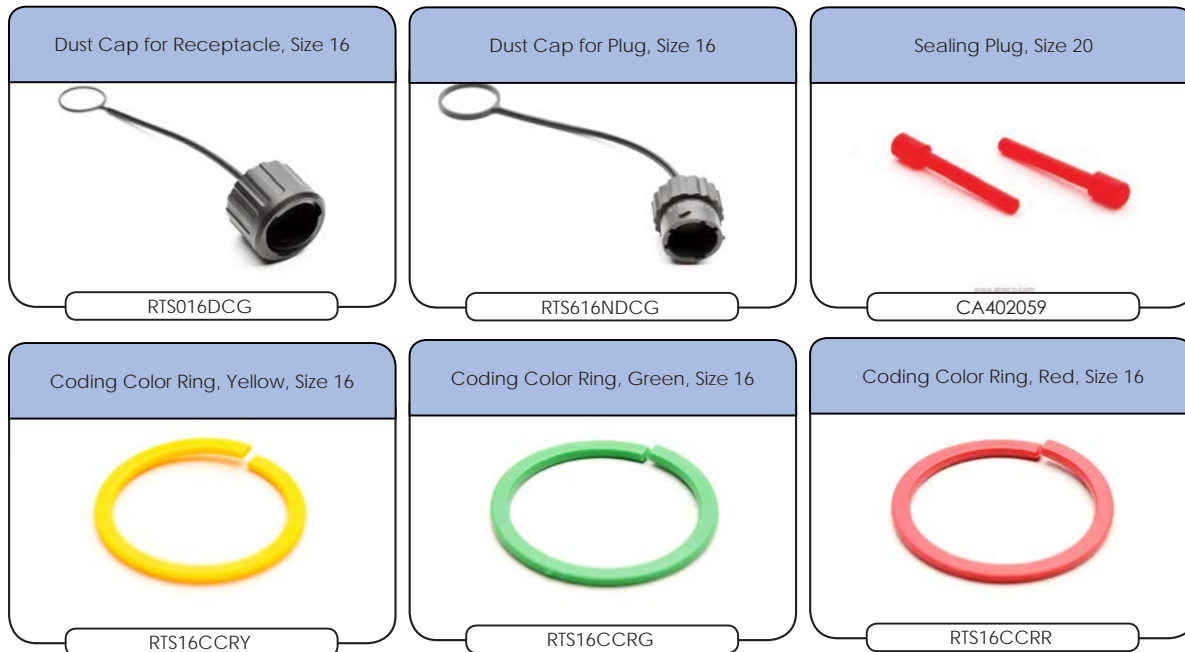
Contact Size: 20

Dimensions Plugs



Shell Size: 16 Number of Contacts: 26 Contact Size: 20
Sealing: IP67 / IP69k Salt Spray: 500h

Accessories



Shell Size: 16 Number of Contacts: 26 Contact Size: 20
 Sealing: IP67 / IP69k Salt Spray: 500h

Contacts



Crimp Contacts, Machined

Part Number		AWG	Wire Ranget (mm ²)	Plating
Male	Female			
MP20W23F	MS20W23F	22-20	.34-.50	Gold Flash
MP20W23G5	MS20W23G5	22-20	.34-.50	Gold 5μ"
MP20W23G10	MS20W23G10	22-20	.34-.50	Gold 10μ"
MP20W23G15	MS20W23G15	22-20	.34-.50	Gold 15μ"
MP20W23G30	MS20W23G30	22-20	.34-.50	Gold 30μ"
MP24W23F	MS24W23F	26-24	.13-.25	Gold Flash
MP24W23G5	MS24W23G5	26-24	.13-.25	Gold 5μ"
MP24W23G10	MS24W23G10	26-24	.13-.25	Gold 10μ"
MP24W23G15	MS24W23G15	26-24	.13-.25	Gold 15μ"
MP24W23G30	MS24W23G30	26-24	.13-.25	Gold 30μ"
MP28W23F	MS28W23F	30-28	.05-.08	Gold Flash
MP28W23G5	MS28W23G5	30-28	.05-.08	Gold 5μ"
MP28W23G10	MS28W23G10	30-28	.05-.08	Gold 10μ"
MP28W23G15	MS28W23G15	30-28	.05-.08	Gold 15μ"
MP28W23G30	MS28W23G30	30-28	.05-.08	Gold 30μ"

Tools



Shell Size: 16 Number of Contacts: 26 Contact Size: 20
Sealing: IP67 / IP69k Salt Spray: 500h

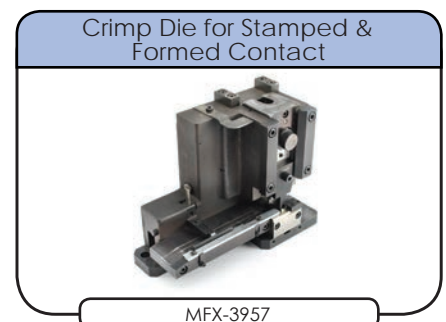
Contacts (con't)



Crimp Contacts, Stamped & Formed

Part Number		AWG	Wire Range (mm ²)	Plating
Male	Female			
SP20W1F	SS20W1F	22-20	.34-.50	Gold Flash
SP20W1G5	SS20W1G5	22-20	.34-.50	Gold 5μ"
SP20W1G10	SS20W1G10	22-20	.34-.50	Gold 10μ"
SP20W1G15	SS20W1G15	22-20	.34-.50	Gold 15μ"
SP20W1G30	SS20W1G30	22-20	.34-.50	Gold 30μ"
SP24W1F	SS24W1F	26-24	.14-.25	Gold Flash
SP24W1G5	SS24W1G5	26-24	.14-.25	Gold 5μ"
SP24W1G10	SS24W1G10	26-24	.14-.25	Gold 10μ"
SP24W1G15	SS24W1G15	26-24	.14-.25	Gold 15μ"
SP24W1G30	SS24W1G30	26-24	.14-.25	Gold 30μ"
SP28W1F	SS28W1F	30-28	.05-.08	Gold Flash
SP28W1G5	SS28W1G5	30-28	.05-.08	Gold 5μ"
SP28W1G10	SS28W1G10	30-28	.05-.08	Gold 10μ"
SP28W1G15	SS28W1G15	30-28	.05-.08	Gold 15μ"
SP28W1G30	SS28W1G30	30-28	.05-.08	Gold 30μ"

Tools



STEP 1
Choose Receptacle Style

STEP 2
Choose Plug Style

Jam Nut Receptacles



Square Flange Receptacles



Plug



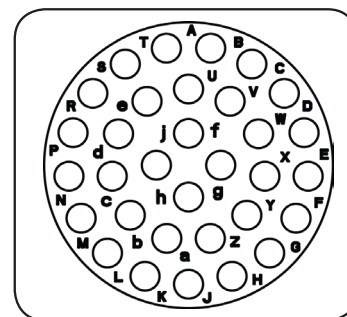
SEE TABLE ON NEXT PAGE FOR PART DETAILS

CONTACTS SOLD SEPARATELY SEE PAGE 196

Shell Size: 18 Number of Contacts: 32 Contact Size: 20
Sealing: IP67 / IP69k Salt Spray: 500h

eco | mate® Aquarius Standard Products

- Suitable For Indoor and Outdoor Applications
- EMI/RMI Shielding Capability with Appropriate Backshell
- Operating Temperature: -40°C to +125°C
- 500 Mating Cycles
- Contacts and Cord Grips Ordered Separately
- UL ECBT2 Certified*



Insert Arrangement
Pin (Male) Faceview

Connector Part Numbers - Receptacles

PART NO#	Description	Temperature Range	Figure Drawing
RTS718N32P03	Receptacle, jam nut, 32 positions, size 18, pin contact, silicone rubber seal	-40 to 125°C	1
RTS718N32PHEC03	Receptacle, jam nut, 32 positions, size 18, pin contact, silicone rubber seal, endcap	-40 to 125°C	3
RTS718N32S03	Receptacle, jam nut, 32 positions, size 18, for socket contact, silicone rubber seal	-40 to 125°C	2
RTS018N32P03	Receptacle, square flange, 32 positions, size 18, pin contact, silicone rubber seal	-40 to 125°C	4
RTS018N32PHEC03	Receptacle, square flange, 32 positions, size 18, pin contact, silicone rubber seal, endcap	-40 to 125°C	6
RTS018N32S03	Receptacle, square flange, 32 positions, size 18, for socket contact, silicone rubber seal	-40 to 125°C	5
RTS018N32SHEC03	Receptacle, square flange, 32 positions, size 18, for socket contact, silicone rubber seal, with endcap	-40 to 125°C	7

Connector Part Numbers - Plugs

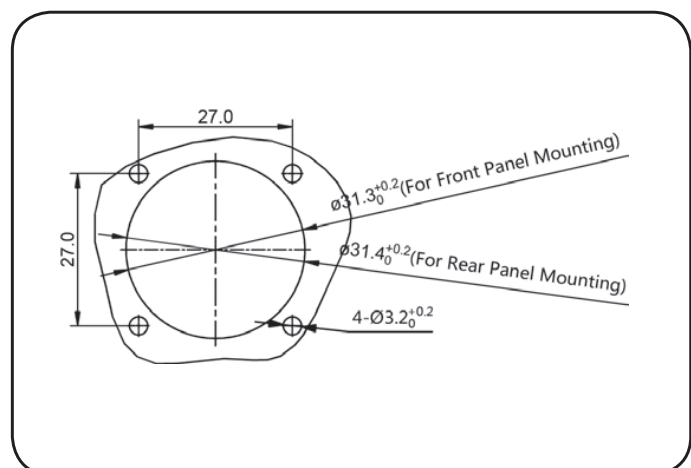
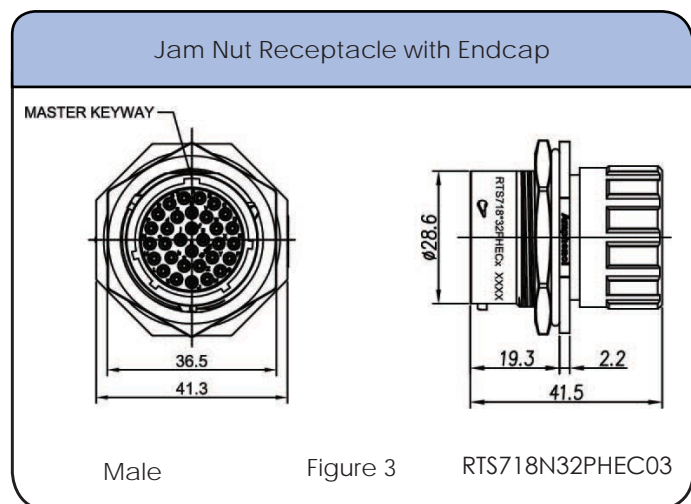
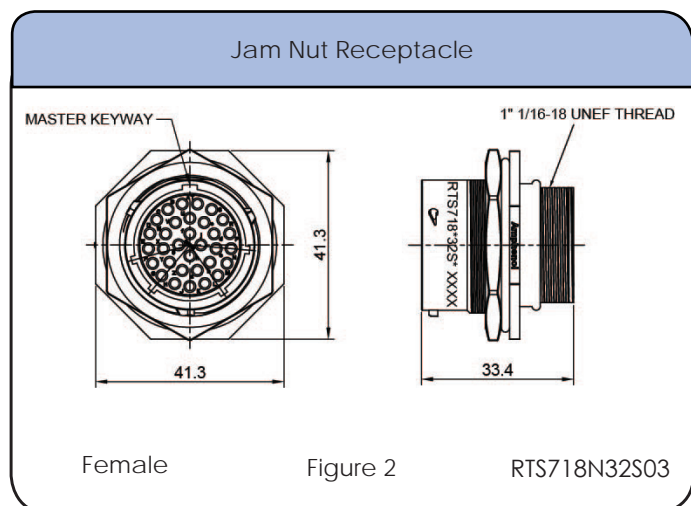
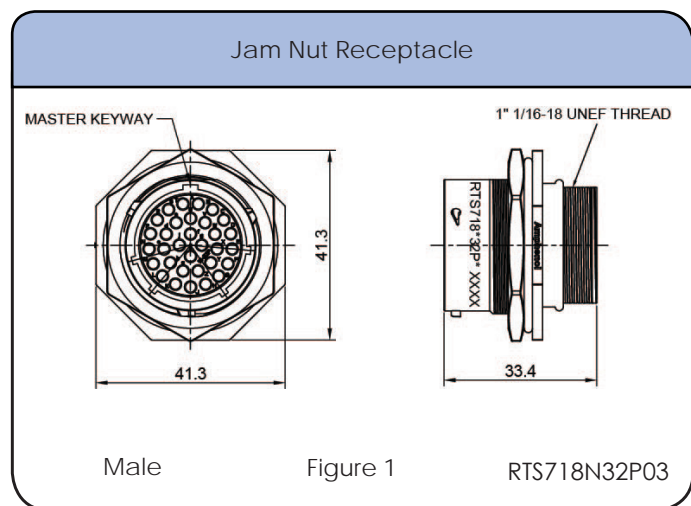
PART NO#	Description	Temperature Range	Figure Drawing
RTS6BS18N32P03	Straight plug with cord grip, 32 positions, size 18, pin contact, silicone rubber seal	-40 to 125°C	8
RTS6BS18N32PHEC03	Straight plug with end cap, 32 positions, size 18, pin contact, silicone rubber seal	-40 to 125°C	10
RTS6BS18N32S03	Straight plug with cord grip, 32 positions, size 18, socket contact, silicone rubber seal	-40 to 125°C	9
RTS6BS18N32SHEC03	Straight plug with end cap, 32 positions, size 18, socket contact, silicone rubber seal	-40 to 125°C	11

Contacts supplied separately see page 196

Shell Size: 18 Number of Contacts: 32
 Sealing: IP67 / IP69k Salt Spray: 500h

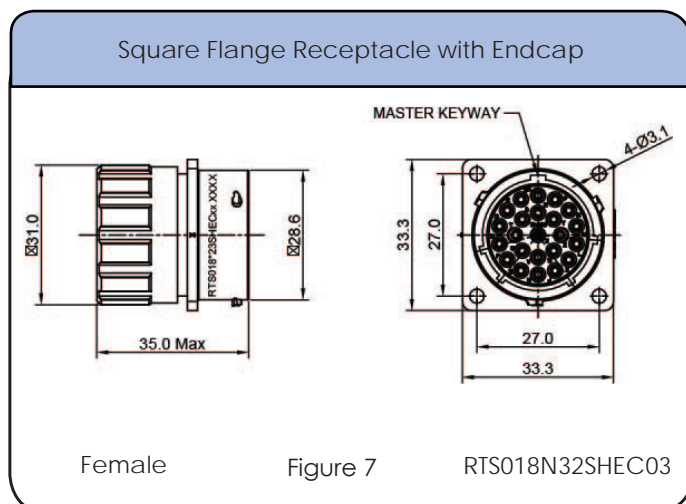
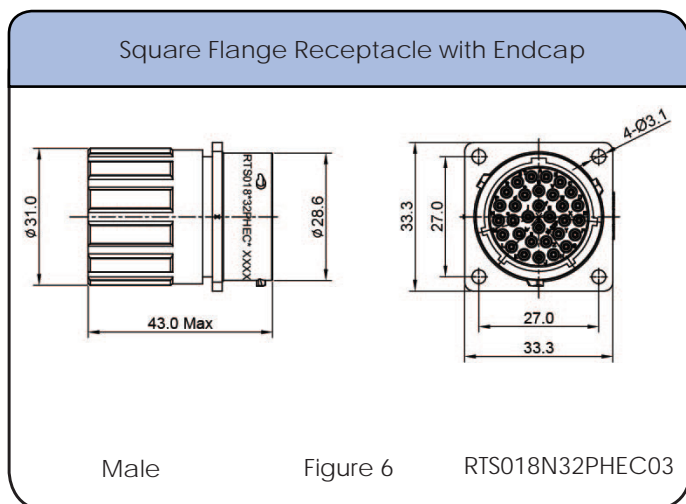
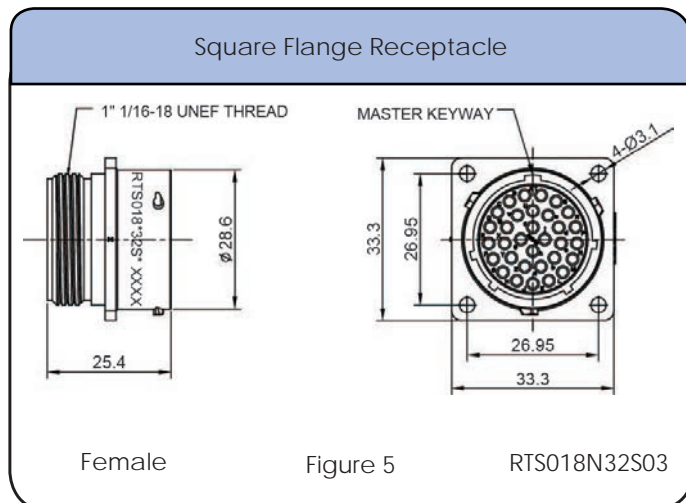
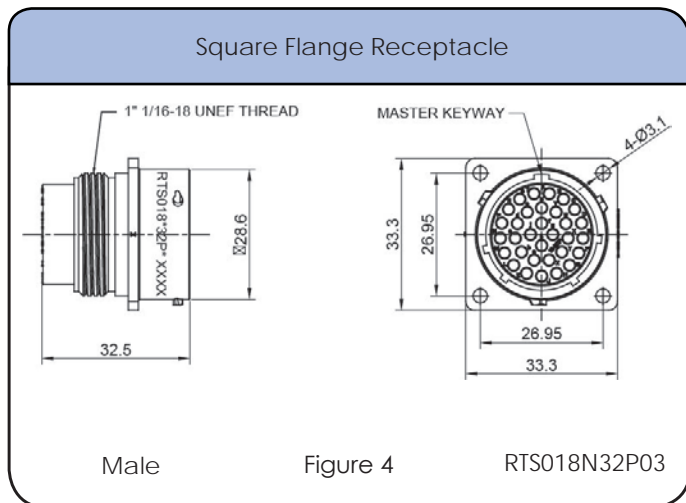
Contact Size: 20

Dimensions Jam Nut



Shell Size: 18 Number of Contacts: 32 Contact Size: 20
Sealing: IP67 / IP69k Salt Spray: 500h

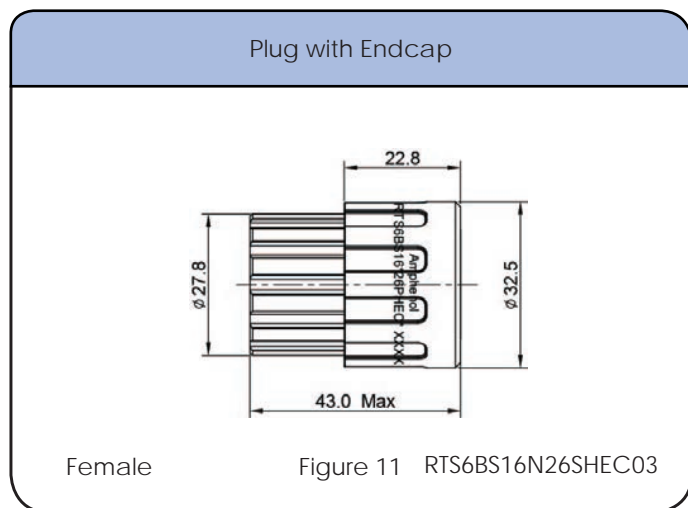
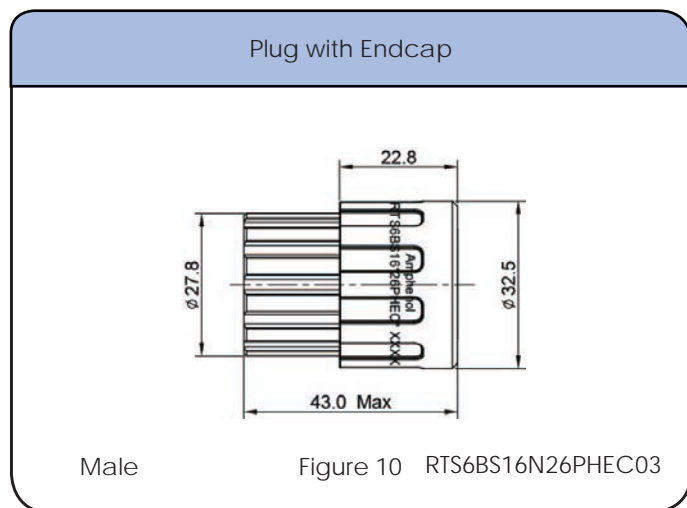
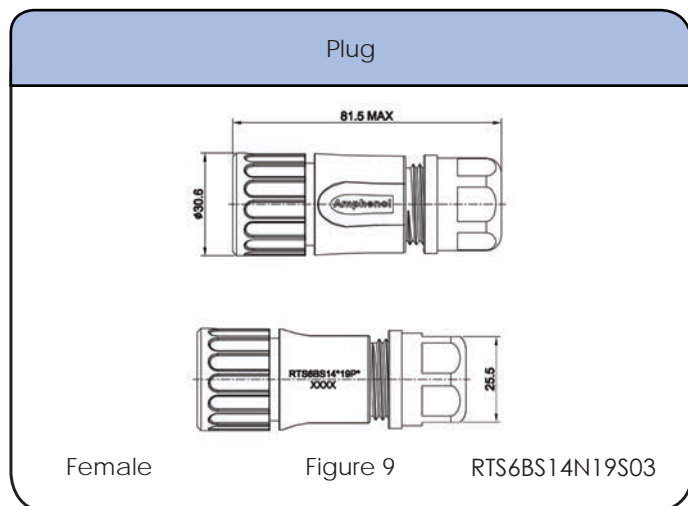
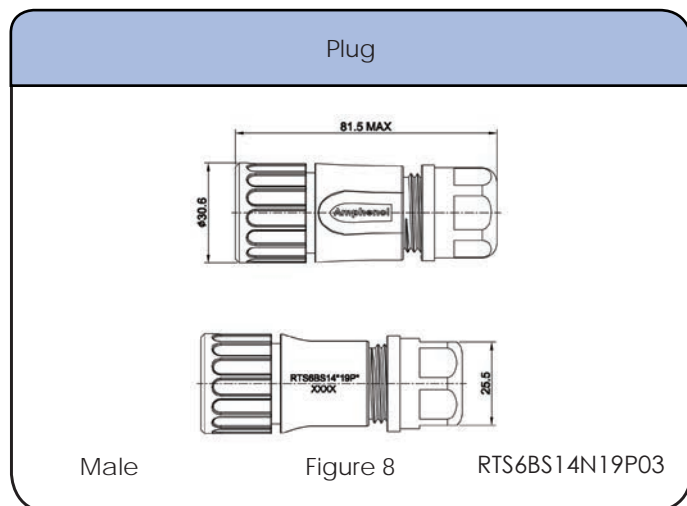
Dimensions Square Flange Receptacles



Shell Size: 18 Number of Contacts: 32
 Sealing: IP67 / IP69k Salt Spray: 500h

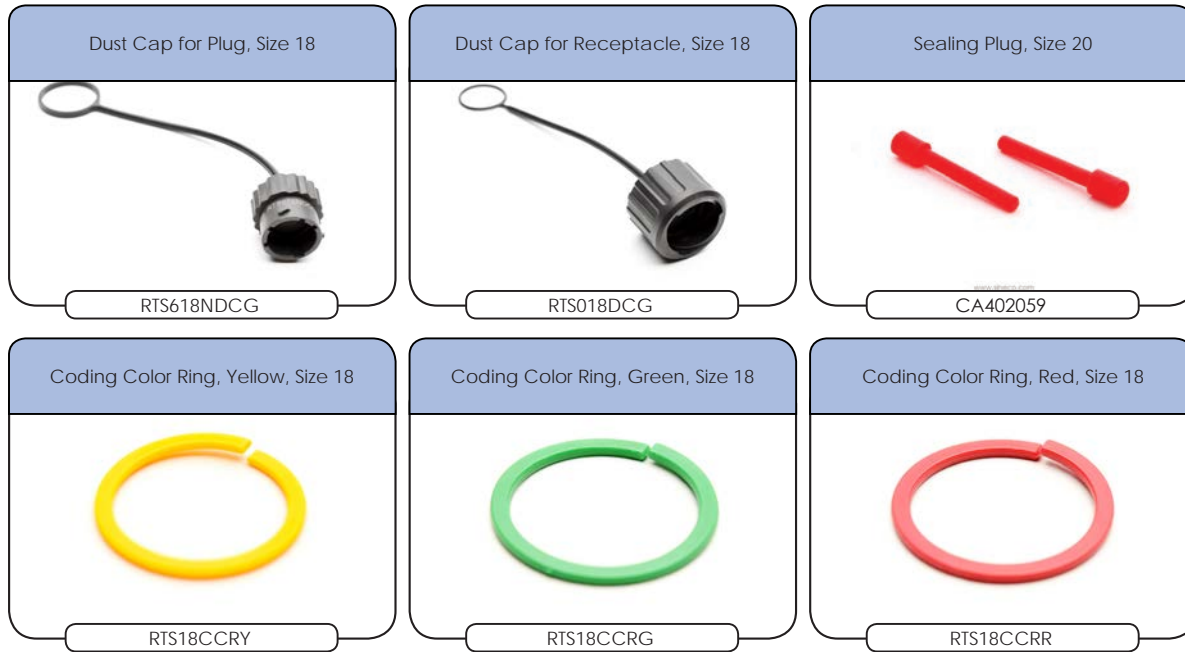
Contact Size: 20

Dimensions Plugs



Shell Size: 18 Number of Contacts: 32 Contact Size: 20
Sealing: IP67 / IP69k Salt Spray: 500h

Accessories



Shell Size: 18 Number of Contacts: 32 Contact Size: 20
 Sealing: IP67 / IP69k Salt Spray: 500h

Contacts



Crimp Contacts, Machined

Part Number		AWG	Wire Range (mm ²)	Plating
Male	Female			
MP20W23F	MS20W23F	22-20	.34-.50	Gold Flash
MP20W23G5	MS20W23G5	22-20	.34-.50	Gold 5μ"
MP20W23G10	MS20W23G10	22-20	.34-.50	Gold 10μ"
MP20W23G15	MS20W23G15	22-20	.34-.50	Gold 15μ"
MP20W23G30	MS20W23G30	22-20	.34-.50	Gold 30μ"
MP24W23F	MS24W23F	26-24	.13-.25	Gold Flash
MP24W23G5	MS24W23G5	26-24	.13-.25	Gold 5μ"
MP24W23G10	MS24W23G10	26-24	.13-.25	Gold 10μ"
MP24W23G15	MS24W23G15	26-24	.13-.25	Gold 15μ"
MP24W23G30	MS24W23G30	26-24	.13-.25	Gold 30μ"
MP28W23F	MS28W23F	30-28	.05-.08	Gold Flash
MP28W23G5	MS28W23G5	30-28	.05-.08	Gold 5μ"
MP28W23G10	MS28W23G10	30-28	.05-.08	Gold 10μ"
MP28W23G15	MS28W23G15	30-28	.05-.08	Gold 15μ"
MP28W23G30	MS28W23G30	30-28	.05-.08	Gold 30μ"

Tools



Shell Size: 18 Number of Contacts: 32 Contact Size: 20
Sealing: IP67 / IP69k Salt Spray: 500h

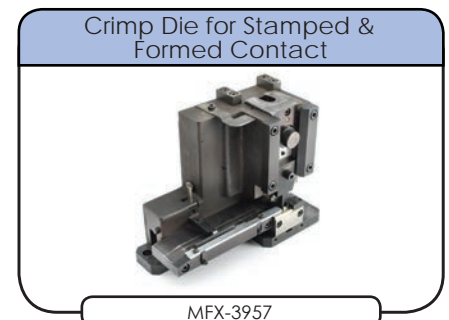
Contacts (con't)



Crimp Contacts, Stamped & Formed

Part Number		AWG	Wire Range (mm ²)	Plating
Male	Female			
SP20W1F	SS20W1F	22-20	.34-.50	Gold Flash
SP20W1G5	SS20W1G5	22-20	.34-.50	Gold 5μ"
SP20W1G10	SS20W1G10	22-20	.34-.50	Gold 10μ"
SP20W1G15	SS20W1G15	22-20	.34-.50	Gold 15μ"
SP20W1G30	SS20W1G30	22-20	.34-.50	Gold 30μ"
SP24W1F	SS24W1F	26-24	.14-.25	Gold Flash
SP24W1G5	SS24W1G5	26-24	.14-.25	Gold 5μ"
SP24W1G10	SS24W1G10	26-24	.14-.25	Gold 10μ"
SP24W1G15	SS24W1G15	26-24	.14-.25	Gold 15μ"
SP24W1G30	SS24W1G30	26-24	.14-.25	Gold 30μ"
SP28W1F	SS28W1F	30-28	.05-.08	Gold Flash
SP28W1G5	SS28W1G5	30-28	.05-.08	Gold 5μ"
SP28W1G10	SS28W1G10	30-28	.05-.08	Gold 10μ"
SP28W1G15	SS28W1G15	30-28	.05-.08	Gold 15μ"
SP28W1G30	SS28W1G30	30-28	.05-.08	Gold 30μ"

Tools



Appendix

Glossary of Terms

American Wire Gauge (AWG)	Connector life
System of numerical designations for wire sizes, based on specified ranges of cross-sectional areas. Starts with 4/0 (000) at the largest size, going to 3/0, 2/0, 1/0, 1, 2, and up to 40 and beyond for the smallest size. A step of one AWG number corresponds to a reduction of cross-sectional area of appr. 20 %.	The number of mating cycles prior to abrasion of the conductive contact surface and which does not result in a significant rise of the contact resistance. Tests according to test 9a of ICE 60512-5 / DIN EN 60512 Part 5.
Attenuation	Contact
A reduction of power. Occurs naturally when waves travel through lines, wave guides, or media such as air or water. Is produced additionally by imperfections in electrical or optical connections (attenuation in fibre optics), e. g. contact resistance, mismatch, etc.	The conductive element in a connector which mates with a corresponding element to provide an electrical path.
Bulkhead connector	Contact resistance
Connector designed to be inserted into a panel cutout from the rear of the panel, thus forming part of the barrier between two spaces. Back-mounted.	The electrical resistance of a mated set of contacts under specified conditions. Tested according to tests 2a, 2b, 2c, of IEC 60 512 -2/ DIN EN 60 512-2.
Clearance	Contact size
The shortest distance in air between two conductive parts, see IEC 60664.	The designation used to differentiate one contact from another. It may be denoted by one of the following numbering systems:
Climatic stability	Creepage distance
General term describing the behavior of components under various climatic conditions, e. g. high and low temperatures, tropical climate, high humidity, moist heat, fungus, atmospheric conditions (industrial atmosphere), reduced air pressure, etc. Climatic conditions for test purposes are explained in IEC 60068, DIN 46 040.	The shortest distance along the surface of the insulating material between two conductive parts. The longer the distance, the less the risk of arc damage or tracking. Minimum creepage distances are specified according to the rated voltage and the applicable pollution degree and Comparative Tracking Index.
Connector	Crimped connection
A component which terminates conductors for the purpose of providing connection and disconnection to a suitable mating component which shall not be engaged or disengaged when live. Depending on the fastening to a cabinet, panel, rack etc. or a cable, they are classified as fixed or free connectors. A connector comprises one or more contacts and a housing which may have a separate connector insert and a separate outer housing or shell.	A solderless connection made by crimping. IEC 60352-2 / DIN IEC 60352 Part 2.
Connector housing	Derating curve
The part of a connector into which the insert and the contacts are assembled. It may function as part of the locking mechanism.	The method for determining derating is specified in IEC 60 512-3. Here the combination of ambient temperature (T_u) and the current (I) leading to the same maximum allowable temperature (T_b) at the hottest point of the connector are plotted.
Connector insert	DIN
An insulating element designed to support and position contacts in a connector housing. In connectors electromagnetic interference is prevented by shielding. Shielded connectors normally provide means to connect the screens of attached cables.	Deutsches Institut für Normung. A German standards organization.
	Electromagnetic interference (EMI)
	General term describing the undesirable effects of the immission or emission of radio frequency fields.
	Funnel entry (restricted entry C146 D series)
	Flared or widened entrance to a conductor barrel permitting easier insertion of the conductor.
	Insertion or withdrawal force
	The force required to fully insert or withdraw a set of mated connectors without the effect of coupling, locking or similar devices. The insertion force is usually greater than the withdrawal force.

Appendix

Connector Glossary

Insulation grip	Shield, shielding
The area of a crimp contact that has been reshaped around the insulation of the conductor by compression during the crimping operation.	Shielding of internal or external electric fields by means of a plane with a uniform electric potential, formed by metal shells or metallic layers on the inside or outside of plastic shells. The shield is normally connected to the shielding braid of the cable and/or chassis ground.
Insulation resistance	Terminal block
The resistance of the insulation between two conductive elements, in particular, the resistance between two contacts or between a contact and a metallic housing or shield. Tested according to test 3a of IEC 60512-2 / DIN IEC 60512 Part 2.	An assembly of terminals in a housing or body of insulating material to facilitate interconnection between multiple conductors. Also called terminal strip or barrier blocks if the terminals are separated by an insulation barrier.
Intermateable	Wire range
Two connectors are intermateable when they are capable of being connected electrically and mechanically but without regard to their performance and intermountability.	The range of wire cross sections which is compatible with the dimensions the terminals of the contact (wire barrel). The wire range is expressed in mm ² or in AWG numbers.
Locator	
In a crimping tool the device used for positioning a crimp contact or terminal end.	
Locking lever	
A mechanical locking device operated by actuating a lever, designed to hold two mated connectors together. Typically the lever can only be fully locked if the two connectors are correctly mated.	
Mating cycle	
One mating cycle comprises one insertion and one withdrawal operation. Term used in the definition of connector life.	
Material group	
Classification of insulation materials according to their CTI values (CTI = Comparative Tracking Index)	
Overvoltage category	
A numeral defining a transient overvoltage condition. Overvoltage categories I, II, III and IV are used.	
Connector with braking capacity (CBC)	
A component which may be engaged or disengaged in normal use, when live or under load. Note: In the sense of this document the term - live- is used if contacts are under voltage not necessarily with a current flowing across the contacts. The term - load - is used if a current is flowing across the contacts.	
Rated current	
A current value assigned by the manufacturer which the connector or PSD can carry continuously (without interruption) and simultaneously through all its contacts wired with the largest conductor preferably at an ambient temperature of 40 °C without the upper temperature being exceeded.	

Appendix

Part Number Index

CA401259.....65,87,95	MP16M23G30.....24,32,52,	MP24W23F.....18,44,78,	MS16M23G10.....24,32,52,
CA401659.....23,31,51,57,	58,77,96,110,	88,104,148,	58,77,96,110,
81,95,109,	118,126,140,	164,188,196	118,126,140,
117,125,139,	156,172,180	MP24W23G5.....18,44,78,	156,172,180
155,171,179	MP20M23F.....24,32,52,	88,104,148,	MS16M23G15.....24,32,52,
CA402059.....17,43,81,87,	58,77,96,110,	164,188,196	58,77,96,110,
103,147,163,	118,126,140,	MP24W23G10.....18,44,78,	118,126,140,
187,195	156,172,180	88,104,148,	156,172,180
MFX-3954.....25,33,53,59,79,	MP20M23G5.....24,32,52,	164,188,196	MS16M23G30.....24,32,52,
97,111,119,127,	58,77,96,110,	MP24W23G15.....18,44,78,	58,77,96,110,
141,157,173,181	118,126,140,	88,104,148,	118,126,140,
MFX-3957.....19,25,33,45,	156,172,180	164,188,196	156,172,180
53,59,79,89,97,	MP20M23G10.....24,32,52,	MP24W23G30.....18,44,78,	MS20M23F.....24,32,52,
105,111,119,127,	58,77,96,110,	88,104,148,	58,77,96,110,
141,149,157,164,	118,126,140,	164,188,196	118,126,140,
165,173,181,188,	156,172,180	MP28W23F.....18,44,78,	156,172,180
189,196,197	MP20M23G15.....24,32,52,	88,104,148,	MS20M23G5.....24,32,52,
MFX-3958.....19,45,89,105,	58,77,96,110,	164,188,196	58,77,96,110,
149,165,189,197	118,126,140,	MP28W23G5.....18,44,78,	118,126,140,
MFX-3959.....18,24,32,44,52,	156,172,180	88,104,148,	156,172,180
58,78,88,96,104,	MP20M23G30.....24,32,52,	164,188,196	MS20M23G10.....24,32,52,
118,126,140,148,	58,77,96,110,	MP28W23G10.....18,44,78,	58,77,96,110,
156,164,172,180,	118,126,140,	88,104,148,	118,126,140,
188,196,110	156,172,180	164,188,196	156,172,180
MFX-3960.....18,24,32,44,	MP20W23F.....18,44,78,	MP28W23G15.....18,44,78,	MS20M23G15.....24,32,52,
52,58,78,88,96	88,104,148,	88,104,148,	58,77,96,110,
104,118,126,140,	164,188,196	164,188,196	118,126,140,
148,156,172,180,110	MP20W23G5.....18,44,78,	MP28W23G30.....18,44,78,	156,172,180
MFX-3962.....65,89,	88,104,148,	88,104,148,	MS20M23G30.....24,32,52,
97,133,141	164,188,196	164,188,196	58,77,96,110,
MP10A23S.....39,71	MP20W23G10.....18,44,78,	MS10A23S.....39,71	118,126,140,
MP14M23F.....24,32,52,58,	88,104,148,	MS14M23F.....24,32,52,58,	156,172,180
77,96,110,	164,188,196	77,96,110,	MS20W23F.....18,44,78,
118,126,140,	MP20W23G15.....18,44,78,	118,126,140,	88,104,148,
156,172,180	88,104,148,	156,172,180	164,188,196
MP14M23G5.....24,32,52,	164,188,196	MS14M23G5.....24,32,52,58,	MS20W23G5.....18,44,78,
58,77,96,110,	MP20W23G30.....18,44,78,	77,96,110,	88,104,148,
118,126,140,	118,126,140,	118,126,140,	164,188,196
156,172,180	164,188,196	156,172,180	MS20W23G10.....18,44,78,
MP14M23G10.....24,32,52,	MP24M23F.....24,32,52,	MS14M23G10.....24,32,52,	88,104,148,
58,77,96,110,	58,77,96,110,	58,77,96,110,	164,188,196
118,126,140,	118,126,140,	118,126,140,	MS20W23G15.....18,44,78,
156,172,180	156,172,180	156,172,180	88,104,148,
MP14M23G15.....24,32,52,	MP24M23G5.....24,32,52,	MS14M23G15.....24,32,52,	164,188,196
58,77,96,110,	58,77,96,110,	58,77,96,110,	MS20W23G30.....18,44,78,
118,126,140,	118,126,140,	118,126,140,	88,104,148,
156,172,180	156,172,180	156,172,180	164,188,196
MP16M23F.....24,32,52,	MP24M23G10.....24,32,52,	MS14M23G30.....24,32,52,	MS24M23F.....24,32,52,
58,77,96,110,	58,77,96,110,	58,77,96,110,	58,77,96,110,
118,126,140,	118,126,140,	118,126,140,	118,126,140,
156,172,180	156,172,180	156,172,180	156,172,180
MP16M23G10.....24,32,52,	MP24M23G15.....24,32,52,	MS16M23F.....24,32,52,	MS24M23G5.....24,32,52,
58,77,96,110,	58,77,96,110,	58,77,96,110,	58,77,96,110,
118,126,140,	118,126,140,	118,126,140,	118,126,140,
156,172,180	156,172,180	156,172,180	156,172,180

Appendix

Part Number Index

MS24M23G10.....	24,32,52, 58,77,96,110, 118,126,140, 156,172,180	MS24M23G15.....	24,32,52, 58,77,96,110, 118,126,140, 156,172,180	MS24M23G30.....	24,32,52, 58,77,96,110, 118,126,140, 156,172,180	MS24W23F.....	18,44,78, 88,104,148, 164,188,196	MS24W23G5.....	18,44,78, 88,104,148, 164,188,196	MS24W23G10.....	18,44,78, 88,104,148, 164,188,196	MS24W23G15.....	18,44,78, 88,104,148, 164,188,196	MS24W23G30.....	18,44,78, 88,104,148, 164,188,196	MS28W23F.....	18,44,78, 88,104,148, 164,188,196	MS28W23G5.....	18,44,78, 88,104,148, 164,188,196	MS28W23G10.....	18,44,78, 88,104,148, 164,188,196	MS28W23G15.....	18,44,78, 88,104,148, 164,188,196	MS28W23G30.....	18,44,78, 88,104,148, 164,188,196	QXRT08.....	39,71	QXRT08R.....	39,71	QXRT12S.....	65,89,97, 133,140,141	QXRT16.....	24,25,32,33, 52,53,58,59, 79,96,97,110, 111,118,119,126, 127,141,156,157, 172,173,180,181	QXRT20.....	18,19,44,45,78, 88,89,104,105, 148,149,164,165, 188,189,196,197	RTS6BS8N3P.....	15	RTS6BS8N3S.....	15	RTS6BS8N4P.....	41	RTS6BS8N4S.....	41	RTS6BS10N2P03.....	73	RTS6BS10N2PHEC03.....	73	RTS6BS10N2S03.....	73	RTS6BS10N2SHEC03.....	73	RTS6BS10N3P03.....	21	RTS6BS10N3S03.....	21	RTS6BS10N4P03.....	47	RTS6BS10N4PHEC03.....	47	RTS6BS10N4S03.....	47	RTS6BS10N4SHEC03.....	47	RTS6BS10N6P03.....	99	RTS6BS10N6PHEC03.....	99	RTS6BS10N6S03.....	99	RTS6BS10N6SHEC03.....	99	RTS6BS12N2P03.....	83	RTS6BS12N2PHEC03.....	83	RTS6BS12N2S03.....	83	RTS6BS12N2SHEC03.....	83	RTS6BS12N3P03.....	27	RTS6BS12N3PHEC03.....	27	RTS6BS12N3S03.....	27	RTS6BS12N3SHEC03.....	27	RTS6BS12N4P03.....	55	RTS6BS12N4S03.....	55	RTS6BS12N8P03.....	113	RTS6BS12N8PHEC03.....	113	RTS6BS12N8S03.....	113	RTS6BS12N8SHEC03.....	113	RTS6BS12N10P03.....	143	RTS6BS12N10PHEC03.....	143	RTS6BS12N10S03.....	143	RTS6BS12N10SHEC03.....	143	RTS6BS14N2P03.....	91	RTS6BS14N2PHEC03.....	91	RTS6BS14N2S03.....	91	RTS6BS14N2SHEC03.....	91	RTS6BS14N3P03.....	35	RTS6BS14N3S03.....	35	RTS6BS14N4P03.....	61	RTS6BS14N4PHEC03.....	61	RTS6BS14N4S03.....	61	RTS6BS14N4SHEC03.....	61	RTS6BS14N7P03.....	107	RTS6BS14N7S03.....	107	RTS6BS14N8P03.....	121	RTS6BS14N8PHEC03.....	121	RTS6BS14N8S03.....	121	RTS6BS14N8SHEC03.....	121	RTS6BS14N12P03.....	151	RTS6BS14N12PHEC03.....	151	RTS6BS14N12S03.....	151	RTS6BS14N12SHEC03.....	151	RTS6BS14N19P03.....	159	RTS6BS14N19PHEC03.....	159	RTS6BS14N19S03.....	159	RTS6BS14N19SHEC03.....	159	RTS6BS16N4P03.....	67	RTS6BS16N4PHEC03.....	67	RTS6BS16N4S03.....	67	RTS6BS16N09P03.....	135	RTS6BS16N09PHEC03.....	135	RTS6BS16N09S03.....	135	RTS6BS16N09SHEC03.....	135	RTS6BS16N14SHEC03.....	67	RTS6BS16N19P03.....	167	RTS6BS16N19PHEC03.....	167	RTS6BS16N19S03.....	167	RTS6BS16N19SHEC03.....	167	RTS6BS16N26P03.....	183	RTS6BS16N26PHEC03.....	183	RTS6BS16N26S03.....	183	RTS6BS16N26SHEC03.....	183	RTS6BS18N4P03.....	129	RTS6BS18N4PHEC03.....	129	RTS6BS18N4S03.....	129	RTS6BS18N4SHEC03.....	129	RTS6BS18N23P03.....	175	RTS6BS18N23PHEC03.....	175	RTS6BS18N23S03.....	175	RTS6BS18N23SHEC03.....	175	RTS6BS18N32P03.....	191	RTS6BS18N32PHEC03.....	191	RTS6BS18N32S03.....	191	RTS6BS18N32SHEC03.....	191	RTS8CCRG.....	17,43	RTS8CCRR.....	17,43	RTS8CCRY.....	17,43	RTS08N3P.....	15	RTS08N3S.....	15	RTS08N4P.....	41	RTS08N4S.....	41	RTS10CCRG.....	23,51,81,103	RTS10CCRR.....	23,51,81,103	RTS10CCRY.....	23,51,81,103	RTS010N2P03.....	73	RTS010N2PHEC03.....	73	RTS010N2S03.....	73	RTS010N2SHEC03.....	73	RTS010N3P03.....	21	RTS010N3S03.....	21	RTS010N4P03.....	47	RTS010N4PHEC03.....	47	RTS010N4S03.....	47	RTS010N4SHEC03.....	47	RTS010N6P03.....	99	RTS010N6PHEC03.....	99	RTS010N6S03.....	99	RTS010N6SHEC03.....	99	RTS12CCRG.....	31,57, 87,117,147	RTS12CCRR.....	31,57, 87,117,147	RTS12CCRY.....	31,57, 87,117,147	RTS012DCG.....	31,57, 87,117,147	RTS012N2P03.....	83	RTS012N2PHEC03.....	83	RTS012N2S03.....	83	RTS012N2SHEC03.....	83	RTS012N3P03.....	27	RTS012N3PHEC03.....	27	RTS012N3S03.....	27	RTS012N3SHEC03.....	27	RTS012N4P03.....	55	RTS012N4S03.....	55	RTS012N8P03.....	113	RTS012N8PHEC03.....	113	RTS012N8S03.....	113	RTS012N8SHEC03.....	113	RTS012N10P03.....	143	RTS012N10PHEC03.....	143	RTS012N10S03.....	143	RTS012N10SHEC03.....	143	RTS14CCRG.....	38,65,95, 109,125,155,163	RTS14CCRR.....	38,65,95, 109,125,155,163	RTS14CCRY.....	38,65,95, 109,125,155,163	RTS014DCG.....	38,65,95, 109,125,155,163	RTS014N3P03.....	35	RTS014N3S03.....	35	RTS014N4P03.....	61	RTS014N4PHEC03.....	61	RTS014N4S03.....	61	RTS014N4SHEC03.....	61	RTS014N7P03.....	107	RTS014N7S03.....	107
-----------------	---	-----------------	---	-----------------	---	---------------	---	----------------	---	-----------------	---	-----------------	---	-----------------	---	---------------	---	----------------	---	-----------------	---	-----------------	---	-----------------	---	-------------	-------	--------------	-------	--------------	--------------------------	-------------	--	-------------	--	-----------------	----	-----------------	----	-----------------	----	-----------------	----	--------------------	----	-----------------------	----	--------------------	----	-----------------------	----	--------------------	----	--------------------	----	--------------------	----	-----------------------	----	--------------------	----	-----------------------	----	--------------------	----	-----------------------	----	--------------------	----	-----------------------	----	--------------------	----	-----------------------	----	--------------------	----	-----------------------	----	--------------------	----	-----------------------	----	--------------------	----	-----------------------	----	--------------------	----	--------------------	----	--------------------	-----	-----------------------	-----	--------------------	-----	-----------------------	-----	---------------------	-----	------------------------	-----	---------------------	-----	------------------------	-----	--------------------	----	-----------------------	----	--------------------	----	-----------------------	----	--------------------	----	--------------------	----	--------------------	----	-----------------------	----	--------------------	----	-----------------------	----	--------------------	-----	--------------------	-----	--------------------	-----	-----------------------	-----	--------------------	-----	-----------------------	-----	---------------------	-----	------------------------	-----	---------------------	-----	------------------------	-----	---------------------	-----	------------------------	-----	---------------------	-----	------------------------	-----	--------------------	----	-----------------------	----	--------------------	----	---------------------	-----	------------------------	-----	---------------------	-----	------------------------	-----	------------------------	----	---------------------	-----	------------------------	-----	---------------------	-----	------------------------	-----	---------------------	-----	------------------------	-----	---------------------	-----	------------------------	-----	--------------------	-----	-----------------------	-----	--------------------	-----	-----------------------	-----	---------------------	-----	------------------------	-----	---------------------	-----	------------------------	-----	---------------------	-----	------------------------	-----	---------------------	-----	------------------------	-----	---------------	-------	---------------	-------	---------------	-------	---------------	----	---------------	----	---------------	----	---------------	----	----------------	--------------	----------------	--------------	----------------	--------------	------------------	----	---------------------	----	------------------	----	---------------------	----	------------------	----	------------------	----	------------------	----	---------------------	----	------------------	----	---------------------	----	------------------	----	---------------------	----	------------------	----	---------------------	----	----------------	----------------------	----------------	----------------------	----------------	----------------------	----------------	----------------------	------------------	----	---------------------	----	------------------	----	---------------------	----	------------------	----	---------------------	----	------------------	----	---------------------	----	------------------	----	------------------	----	------------------	-----	---------------------	-----	------------------	-----	---------------------	-----	-------------------	-----	----------------------	-----	-------------------	-----	----------------------	-----	----------------	------------------------------	----------------	------------------------------	----------------	------------------------------	----------------	------------------------------	------------------	----	------------------	----	------------------	----	---------------------	----	------------------	----	---------------------	----	------------------	-----	------------------	-----

Appendix

Part Number Index

RTS014N8P03.....	121	RTS0114N2SHEC03.....	91	RTS714N19P03.....	159	SP16M1G15.....	25,33,53,
RTS014N8PHEC03.....	121	RTS610NDCG.....	23,51,	RTS714N19PHEC03.....	159		59,79,97,111,
RTS014N8S03.....	121		81,103	RTS714N19S03.....	159		119,127,141,
RTS014N8SHEC03.....	121	RTS612NDCG.....	31,57,	RTS716N4P03.....	67		157,173,181
RTS014N19P03.....	159		87,117,147	RTS716N4PHEC03.....	67	SP16M1G30.....	25,33,53,
RTS014N19PHEC03.....	159	RTS614NDCG.....	38,65,95,	RTS716N4S03.....	67		59,79,97,111,
RTS014N19S03.....	159		109,125,155,163	RTS716N09P03.....	135		119,127,141,
RTS014N19SHEC03.....	159	RTS616NDCG.....	71,139,	RTS716N09PHEC03.....	135		157,173,181
RTS16CCRG.....	71,139,		171,187	RTS716N09S03.....	135	SP20M1F.....	25,33,53,
	171,187	RTS618NDCG.....	133,179,195	RTS716N09SHEC03.....	135		59,79,97,111,
RTS16CCRR.....	71,139,	RTS710N2P03.....	73	RTS716N19P03.....	167		119,127,141,
	171,187	RTS710N2PHEC03.....	73	RTS716N19PHE03.....	167		157,173,181
RTS16CCRY.....	71,139,	RTS710N2S03.....	73	RTS716N19S03.....	167	SP20M1G5.....	25,33,53,
	171,187	RTS710N3P03.....	21	RTS716N26P03.....	183		59,79,97,111,
RTS016DCG.....	71,139,	RTS710N3S03.....	21	RTS716N26PHEC03.....	183		119,127,141,
	171,187	RTS710N4P03.....	47	RTS716N26S03.....	183		157,173,181
RTS016N4P03.....	67	RTS710N4PHEC03.....	47	RTS718N8P03.....	129	SP20M1G10.....	25,33,53,
RTS016N4PHEC03.....	67	RTS710N4S03.....	47	RTS718N8PHEC03.....	129		59,79,97,111,
RTS016N4S03.....	67	RTS710N6P03.....	99	RTS718N8S03.....	129		119,127,141,
RTS016N4SHEC03.....	67	RTS710N6PHEC03.....	99	RTS718N23P03.....	175		157,173,181
RTS016N09P03.....	135	RTS712N2P03.....	83	RTS718N23PHEC03.....	175	SP20M1G15.....	25,33,53,
RTS016N09PHEC03.....	135	RTS712N2PHEC03.....	83	RTS718N23S03.....	175		59,79,97,111,
RTS016N09S03.....	135	RTS712N2S03.....	83	RTS718N32P03.....	191		119,127,141,
RTS016N09SHEC03.....	135	RTS712N3P03.....	27	RTS718N32PHEC03.....	191		157,173,181
RTS016N19P03.....	167	RTS712N3PHEC03.....	27	RTS718N32S03.....	191	SP20M1G30.....	25,33,53,
RTS016N19PHEC03.....	167	RTS712N3S03.....	27	SP12A1T.....	65,89,		59,79,97,111,
RTS016N19S03.....	167	RTS712N4P03.....	55		97,133,141		119,127,141,
RTS016N19SHEC03.....	167	RTS712N4S03.....	55	SP14M1F.....	25,33,53,59,		157,173,181
RTS016N26P03.....	183	RTS712N8P03.....	113		79,97,111,		89,105,149,
RTS016N26PHEC03.....	183	RTS712N8PHEC03.....	113		119,127,141,1		165,189,197
RTS016N26S03.....	183	RTS712N8S03.....	113	SP14M1G5.....	25,33,53,	SP20W1F.....	19,45,80,
RTS016N26SHEC03.....	183	RTS712N10P03.....	143		59,79,97,111,		89,105,149,
RTS18CCRG.....	133,179,195	RTS712N10PHEC03.....	143		119,127,141,		165,189,197
RTS18CCRR.....	133,179,195	RTS712N10S03.....	143	SP14M1G10.....	25,33,53,	SP20W1G10.....	19,45,80,
RTS18CCRY.....	133,179,195	RTS714N2P03.....	91		59,79,97,111,		89,105,149,
RTS018DCG.....	133,179,195	RTS714N2PHEC03.....	91		119,127,141,		165,189,197
RTS018N8P03.....	129	RTS714N2S03.....	91	SP14M1G15.....	25,33,53,	SP20W1G15.....	19,45,80,
RTS018N8PHEC03.....	129	RTS714N3P03.....	35		59,79,97,111,		89,105,149,
RTS018N8S03.....	129	RTS714N3S03.....	35		119,127,141,		165,189,197
RTS018N8SHEC03.....	129	RTS714N4P03.....	61	SP14M1G30.....	25,33,53,	SP20W1G30.....	19,45,80,
RTS018N23P03.....	175	RTS714N4PHEC03.....	61		59,79,97,111,		89,105,149,
RTS018N23PHEC03.....	175	RTS714N4S03.....	61		119,127,141,		165,189,197
RTS018N23S03.....	175	RTS714N7P03.....	107	SP14M1G5.....	25,33,53,	SP24M1F.....	25,33,53,59,
RTS018N23SHEC03.....	175	RTS714N7S03.....	107		59,79,97,111,		79,97,111,
RTS018N32P03.....	191	RTS714N8P03.....	121		119,127,141,		119,127,141,
RTS018N32PHEC03.....	191	RTS714N8PHEC03.....	121		157,173,181		157,173,181
RTS018N32S03.....	191	RTS714N8S03.....	121	SP16M1F.....	25,33,53,	SP24M1G5.....	25,33,53,59,
RTS018N32SHEC03.....	191	RTS714N12P03.....	151		59,79,97,111,		79,97,111,
RTS78N3P.....	15	RTS714N12P03.....	152		119,127,141,		119,127,141,
RTS78N3S.....	15	RTS714N12PHEC03.....	151		157,173,181		157,173,181
RTS78N4P.....	41	RTS714N12S03.....	151	SP16M1G5.....	25,33,53,		
RTS78N4S.....	41	RTS714N12S03.....	152		59,79,97,111,		
RTS0114N2P03.....	91	RTS714N12S03.....	151		119,127,141,		
RTS0114N2PHEC03.....	91	RTS714N12S03.....	152		157,173,181		
RTS0114N2S03.....	91						

Appendix

Part Number Index

SP24M1G10...25,33,53,59, 79,97,111, 119,127,141, 157,173,181	SS14M1G30.....25,33,53, 59,79,97,111, 119,127,141, 157,173,181	SS20W1G15.....19,45,80, 89,105,149, 165,189,197	SS28W1G30.....19,45,80, 89,105,149, 165,189,197
SP24M1G15...25,33,53,59, 79,97,111, 119,127,141, 157,173,181	SS16M1F.....25,33,53, 59,79,97,111, 119,127,141, 157,173,181	SS20W1G30.....19,45,80, 89,105,149, 165,189,197	
SP24M1G30...25,33,53,59, 79,97,111, 119,127,141, 157,173,181	SS16M1G5.....25,33,53, 59,79,97,111, 119,127,141, 157,173,181	SS24M1F.....25,33,53,59, 79,97,111, 119,127,141, 157,173,181	
SP24W1F.....19,45,80, 89,105,149, 165,189,197	SS16M1G10.....25,33,53, 59,79,97,111, 119,127,141, 157,173,181	SS24M1G5.....25,33,53,59, 79,97,111, 119,127,141, 157,173,181	
SP24W1G5.....19,45,80, 89,105,149, 165,189,197	SS16M1G15.....25,33,53, 59,79,97,111, 119,127,141, 157,173,181	SS24M1G10...25,33,53,59, 79,97,111, 119,127,141, 157,173,181	
SP24W1G10.....19,45,80, 89,105,149, 165,189,197	SS16M1G30.....25,33,53, 59,79,97,111, 119,127,141, 157,173,181	SS24M1G15...25,33,53,59, 79,97,111, 119,127,141, 157,173,181	
SP24W1G15.....19,45,80, 89,105,149, 165,189,197	SS20M1F.....25,33,53, 59,79,97,111, 119,127,141, 157,173,181	SS24M1G30...25,33,53,59, 79,97,111, 119,127,141, 157,173,181	
SP24W1G30.....19,45,80, 89,105,149, 165,189,197	SS20M1G5.....25,33,53, 59,79,97,111, 119,127,141, 157,173,181	SS24W1F.....19,45,80, 89,105,149, 165,189,197	
SP28W1F.....19,45,80, 89,105,149, 165,189,197	SS20M1G10.....25,33,53, 59,79,97,111, 119,127,141, 157,173,181	SS24W1G5.....19,45,80, 89,105,149, 165,189,197	
SP28W1G5.....19,45,80, 89,105,149, 165,189,197	SS20M1G15.....25,33,53, 59,79,97,111, 119,127,141, 157,173,181	SS24W1G10.....19,45,80, 89,105,149, 165,189,197	
SP28W1G10.....19,45,80, 89,105,149, 165,189,197	SS20M1G30.....25,33,53, 59,79,97,111, 119,127,141, 157,173,181	SS24W1G15.....19,45,80, 89,105,149, 165,189,197	
SP28W1G15.....19,45,80, 89,105,149, 165,189,197	SS20M1G5.....25,33,53, 59,79,97,111, 119,127,141, 157,173,181	SS24W1G30.....19,45,80, 89,105,149, 165,189,197	
SP28W1G30.....19,45,80, 89,105,149, 165,189,197	SS20M1G10.....25,33,53, 59,79,97,111, 119,127,141, 157,173,181	SS28W1F.....19,45,80, 89,105,149, 165,189,197	
SS12A1T...65,89,97,133,141	SS20M1G15.....25,33,53, 59,79,97,111, 119,127,141, 157,173,181	SS28W1G5.....19,45,80, 89,105,149, 165,189,197	
SS14M1F.....25,33,53, 59,79,97,111, 119,127,141, 157,173,181	SS20W1F.....19,45,80, 89,105,149, 165,189,197	SS28W1G10.....19,45,80, 89,105,149, 165,189,197	
SS14M1G5.....25,33,53, 59,79,97,111, 119,127,141, 157,173,181	SS20W1G5.....19,45,80, 89,105,149, 165,189,197	SS28W1G15.....19,45,80, 89,105,149, 165,189,197	
SS14M1G10.....25,33,53, 59,79,97,111, 119,127,141, 157,173,181	SS20W1G10.....19,45,80, 89,105,149, 165,189,197		

USA

Amphenol Sine Systems
44724 Morley Drive
Clinton Township, MI 48036
Toll-Free: 1-800-394-7732
Fax: 1-586-465-1216
Email: csr@amphenol-sine.com
www.amphenol-sine.com

Germany

Amphenol Tuchel GmbH
August-Haeusser-Strasse 10
Heilbronn, Germany 74080
Phone: +49(0)-7131-929-0
Fax: +49(0)-7131-929-486
Email: info@amphenol.de
www.amphenol.de

China

Amphenol Sine Systems
Building 21, 1st Liao Keng Industrial Zone,
Shi Yan Street, Bao An District
Shenzhen, China 518180
Tel: +86-755-8173-8000 ext. 8098
Fax: +86-755-8173-8180
www.amphenol-sine.com.cn

USA

Amphenol Corporation
Corporate Headquarters
358 Hall Ave
Wallingford Ct 06492
Phone: (877) 267-4366
www.amphenol.com

Mexico

Prolongacion Reforma 61-6 B2
Col. Paseo de las Lomas
C.P. 01330 Mexico DF, Mexico
Phone: 52-55-5258-9984
Fax: 52-55-5081-6890
Email: info@amphenolmexico.com
www.amphenolmexico.com

Argentina

Amphenol ARGENTINA
Avenida Callao 930
2nd floor Office B Plaza
C1023AAP Buenos Aires, Argentina
Phone: 54-11-4815-6886
Fax: 54-11-4814-5779
Email: info@amphenol.com.ar
amphenol.com.ar

Brazil

Amphenol do Brasil Ltda
Rua Diogo Moreira, 132
20 Andar, Rooms 2001-2-3
CEP 05423-101
Sao Paulo- SP, Brazil
Phone: 55-11-3815-1003
Fax: 55-11-3815-1629
www.amphenol.com.br

France

Amphenol SOCAPEX
948, Promenade de l'Arve - BP 29
74311 Thyez CEDEX, France
Phone: 33(0)4-50-89-28-40
Fax: 33(0)4-50-96-29-75
www.amphenol-socapex.com

United Kingdom

Amphenol LIMITED
Thanet Way, Whitstable
Kent CT5 3JF, United Kingdom
Phone: 44-1-227-773200
Fax: 44-1-227-276571
www.amphenol.co.uk

Australia

Amphenol AUSTRALIA PTY LTD
22 Industry Boulevard
Carrum Downs VIC 3201 Australia
Phone: +61-3-8796-8888
Fax: +61-3-8796-8801
www.amphenol.com.au

Turkey

Amphenol International Ltd Turkey
Sun Plaza Kat. 15
Maslak Mah. Bilim Sok. No. 5
34398 Sisli / Istanbul - Turkey
Tel: + 90 212 367.92.20
Fax: + 90 212 367.92.21
www.amphenol.com.tr

South Africa

Amphenol International Ltd
South Africa
30 Impala Road
2196 Sandton, Chislehurst
South Africa
Phone: 27-11-783-9517
Fax: 27-11-783-9519
Email: sales@amphenolafrica.com
www.amphenol.com.za

India

Amphenol INTERCONNECT INDIA PVT LTD
105 Bhosari Industrial Area
Pune 411 026, India
Phone: +91 20 67360304
Fax: +91 20 67360321
www.amphenol-in.com

Korea

Amphenol DAESHIN
558. Songnae-2 Dong. SoSa-Gu
Bucheon City, Gyeonggi-do,
Korea 422-818
Phone: 81-32-610-3800
Fax: 81-32-673-2507
Email: info@amphenol.co.kr
www.amphenol.co.kr

Japan

Amphenol JAPAN
471-1, Deba, Ritto-city
shiga 520-3041, Japan
Phone: 81-77-553-8501
Fax: 81-77-551-2200
www.amphenol.co.jp

Russia

Amphenol RUSSIA
8 Yaroslavskaja Street
129164 Moscow, Russia
Phone: 7495-937-6341
Fax: 7495-937-6319
www.amphenol.ru