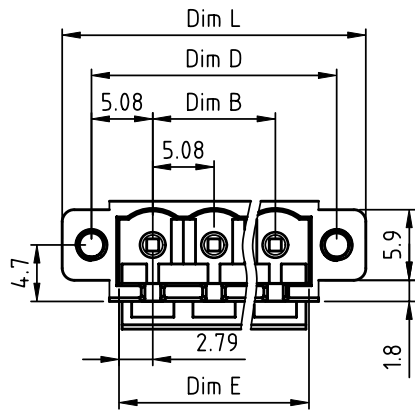


|                |         |
|----------------|---------|
| PRODUCT NUMBER | PITCH   |
| KVxx50x500J0G  | 5.08 mm |

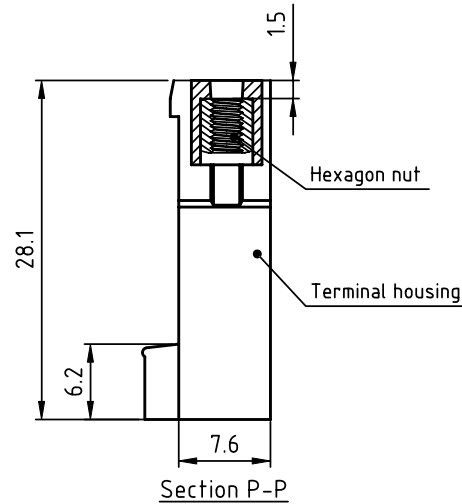
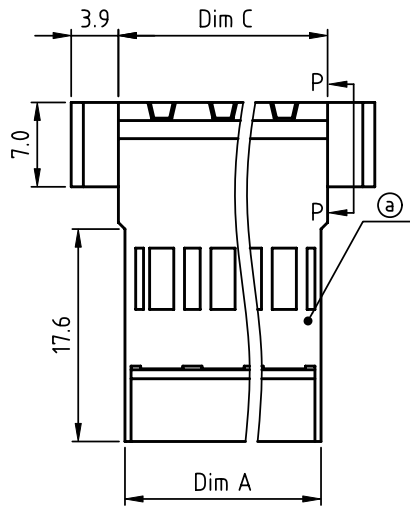


N = Number of poles  
 Dim L=(N-1)x5.08+15.0  
 Dim A=Nx5.08+1.0  
 Dim B=(N-1)x5.08  
 Dim C=Nx5.08+2.1  
 Dim D=(N-1)x5.08+10.16  
 Dim E=(N-1)x5.08+5.58

PART NO.: KV xx 50 x 5 00J0 G

|              |          |                     |                 |
|--------------|----------|---------------------|-----------------|
|              |          | Color               | RoHS compliant  |
| Solid block  | 0        | Black (RAL9005)     | (lead<4%)       |
| No. of poles | 2        | Red (RAL3001/D)     | In copper Alloy |
| 02           | 2 poles  | 3 Orange(RAL2011/P) |                 |
| 03           | 3 poles  | 4 Yellow(RAL1018/A) |                 |
| ...          | ...      | 5 Green(RAL6018/T)  |                 |
| 24           | 24 poles | 6 Blue (RAL5015/A)  |                 |
|              |          | 8 Grey(RAL7035/D)   |                 |
|              |          | 9 White(RAL1102)    |                 |
|              |          | C Green(RAL6018/U)  |                 |

| Poles  | Dim L | Dim A | Dim B | Dim C | Dim D | Dim E |
|--------|-------|-------|-------|-------|-------|-------|
| 2-6p   | ±0.15 | ±0.10 | ±0.15 | ±0.15 | ±0.15 | ±0.15 |
| 7-12p  | ±0.20 | ±0.20 | ±0.20 | ±0.20 | ±0.20 | ±0.20 |
| 13-16p | ±0.25 | ±0.30 | ±0.25 | ±0.25 | ±0.25 | ±0.25 |
| 17-24p | ±0.35 | ±0.40 | ±0.35 | ±0.35 | ±0.35 | ±0.35 |



Material:

- Item①Terminal housing:Thermoplastic (UL94 V-0)
- Item②Hexagon nut: Brass, M2.5

Electrical

- Voltage rating: 300V
- Current rating: 10A
- Wire range: 1.5-2.5mm<sup>2</sup>
- Withstanding Voltage: 1.6KV
- Corresponding female crimp contacts:AR 5.08 series



|                    |  |                                       |                         |                  |   |
|--------------------|--|---------------------------------------|-------------------------|------------------|---|
| mat'l. code        |  | surface<br>ASME Y14.5                 | tolerance<br>ASME Y14.5 | projection       | product family                                  |
| ltr ecn no dr date |  | tolerances unless otherwise specified |                         |                  | TERMINAL BLOCK                                  |
|                    |  | angles                                | X.±0.5                  | MM               | title   |
|                    |  | ±                                     | X.X±0.3                 |                  | TERMINAL BLOCK                                  |
|                    |  | X°±1°                                 | X.XX±0.1                | scale            | PLUGGABLE PLUG,FLANGE WITH NUT,CRIMP CONNECTION |
|                    |  | dr                                    | EVIN ZHONG 050414       |                  | dwg no  |
|                    |  | enr                                   | EVIN ZHONG 050414       |                  | sheet 1 of 1                                    |
|                    |  | chr                                   | HANKE FENG 050414       |                  | size  |
|                    |  | appd                                  | SHI JUN 050414          |                  | A4  |
| sheet index        |  | revision                              | A                       | type             |   |
| sheet              |  | 1                                     |                         | CUSTOMER Drawing |   |