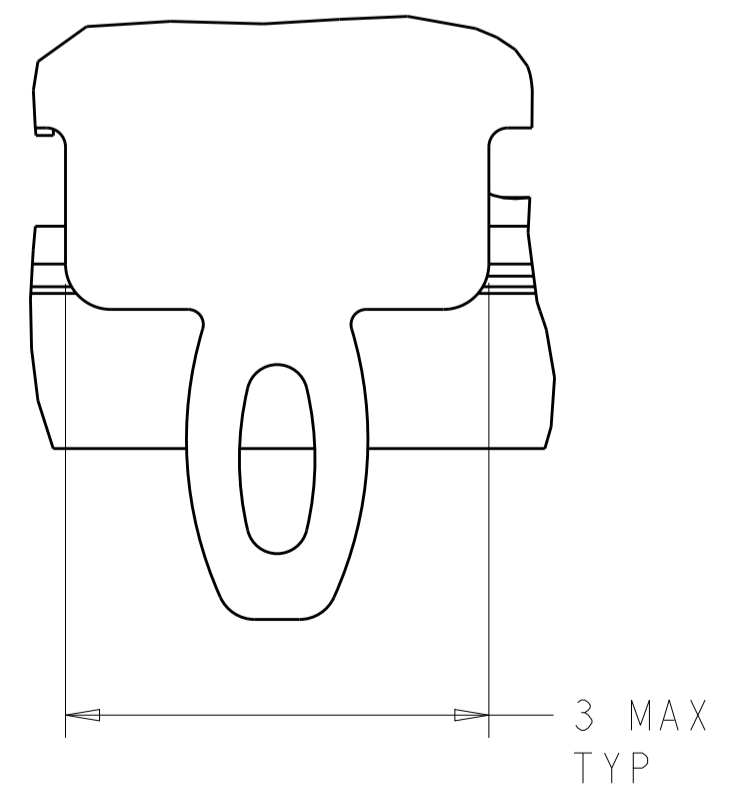
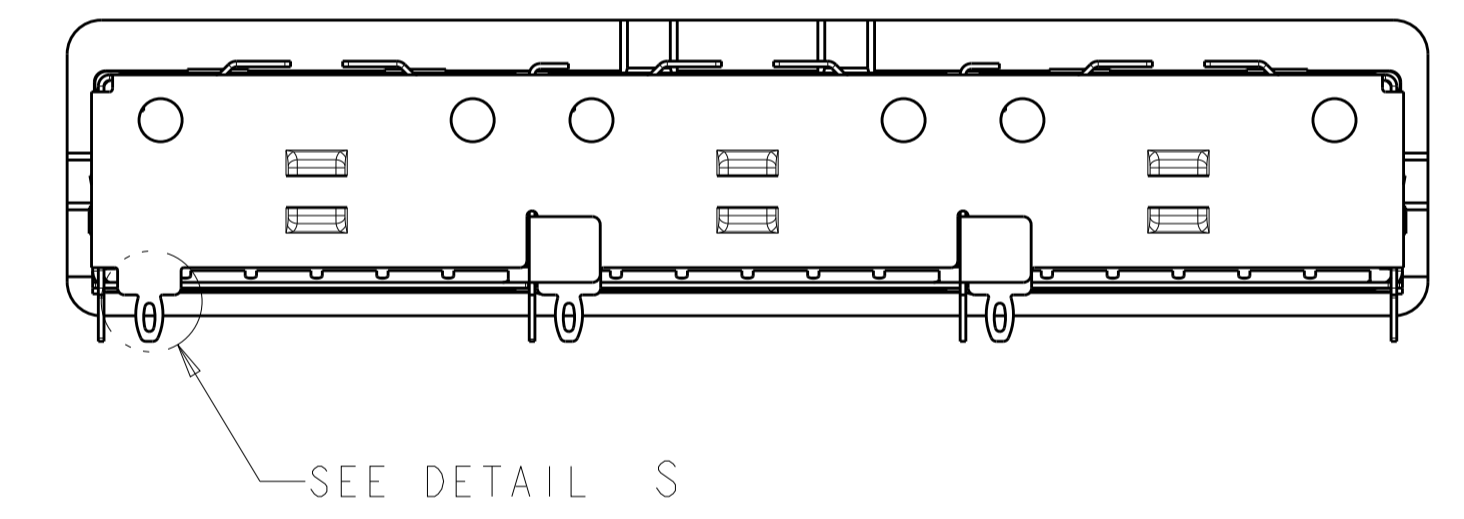
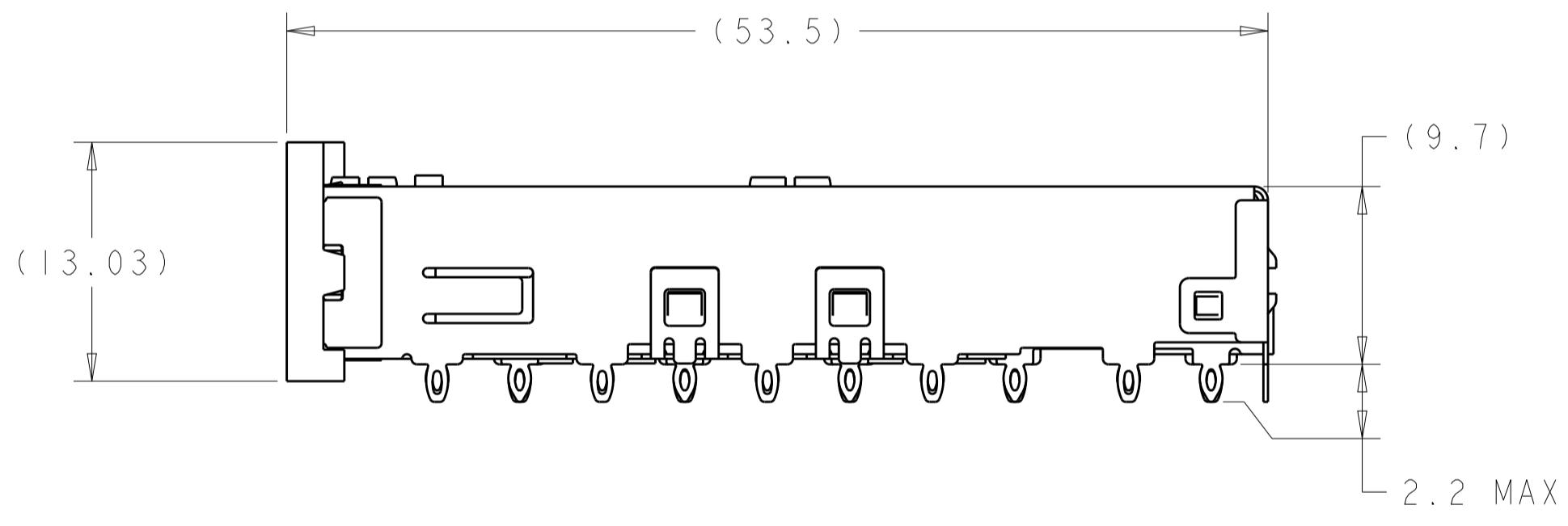
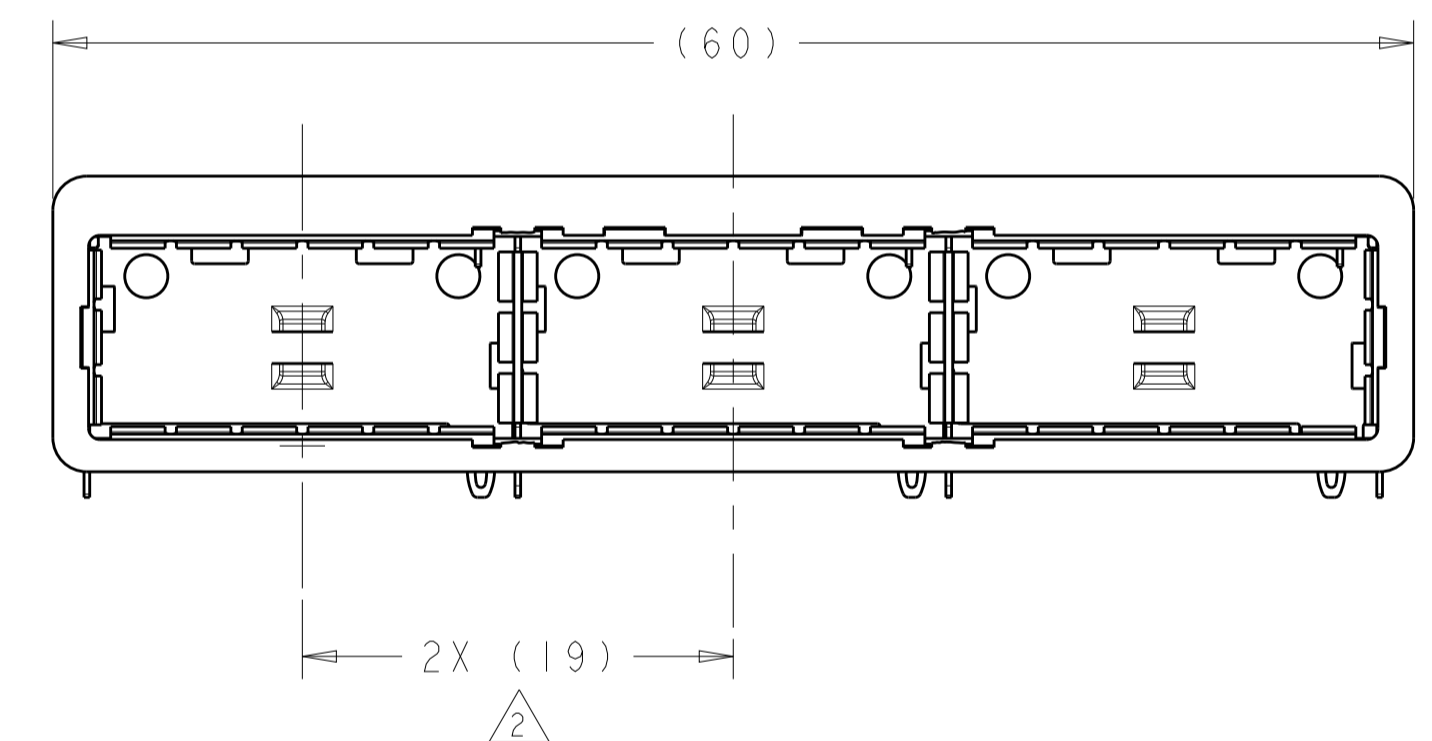
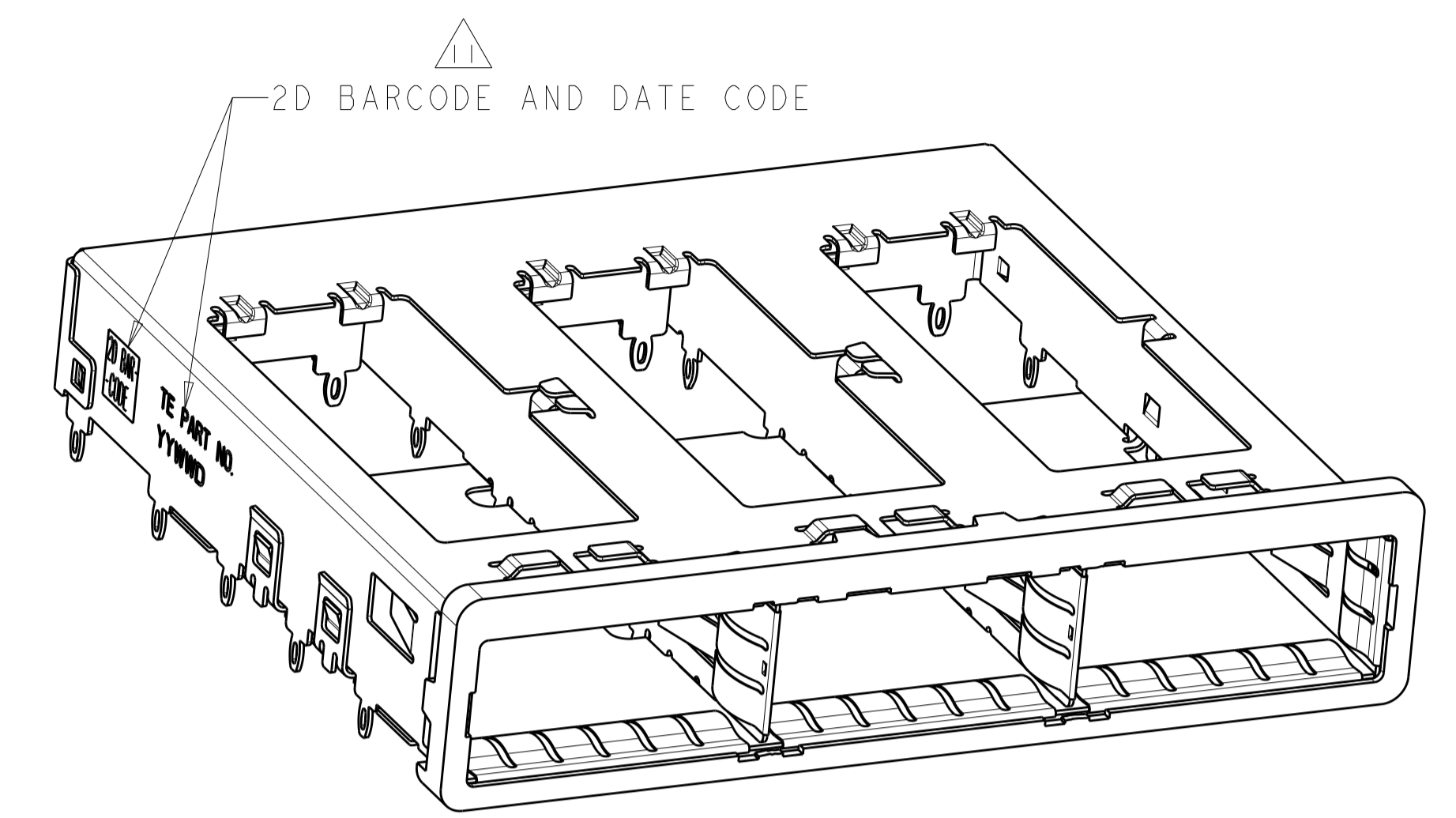
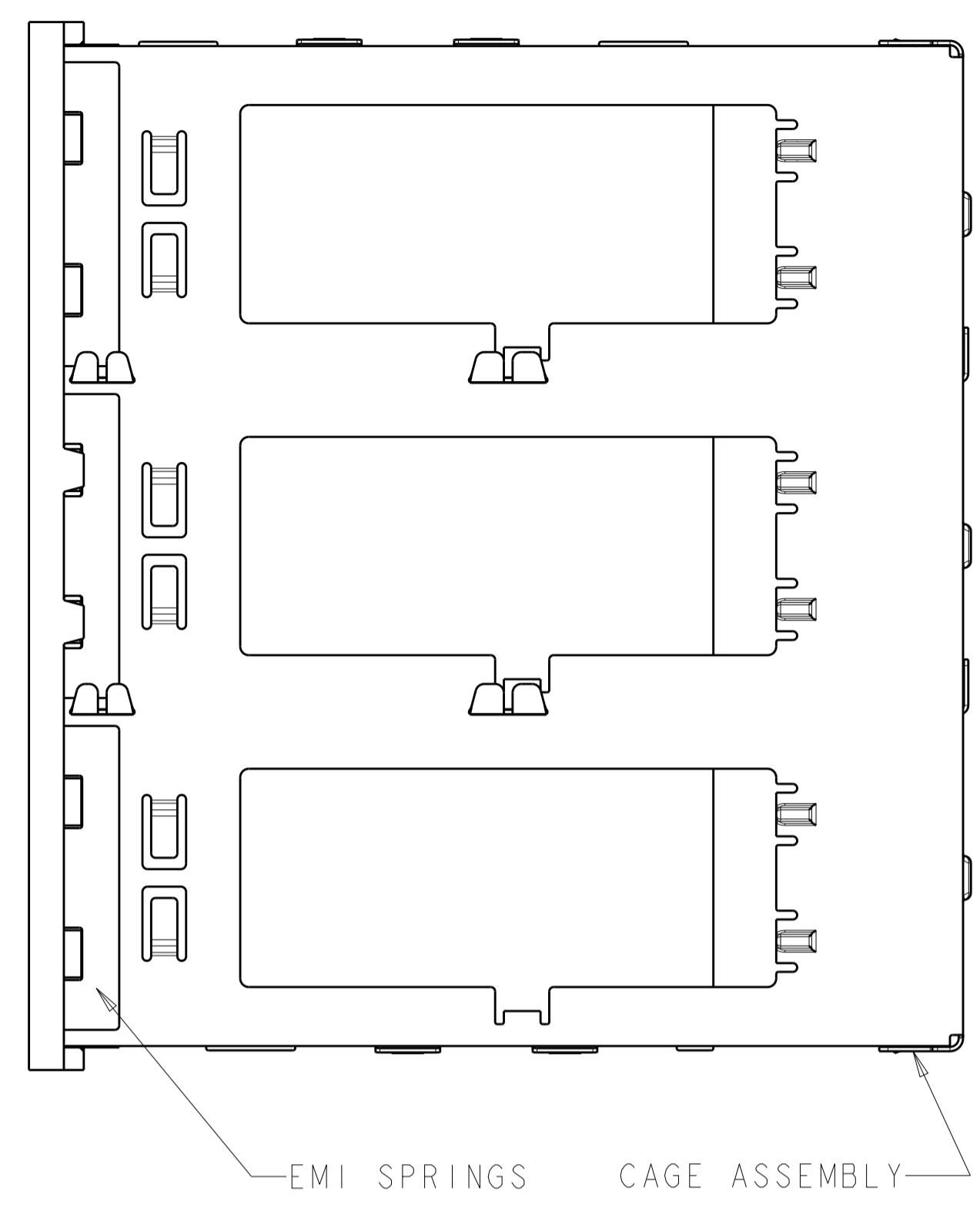
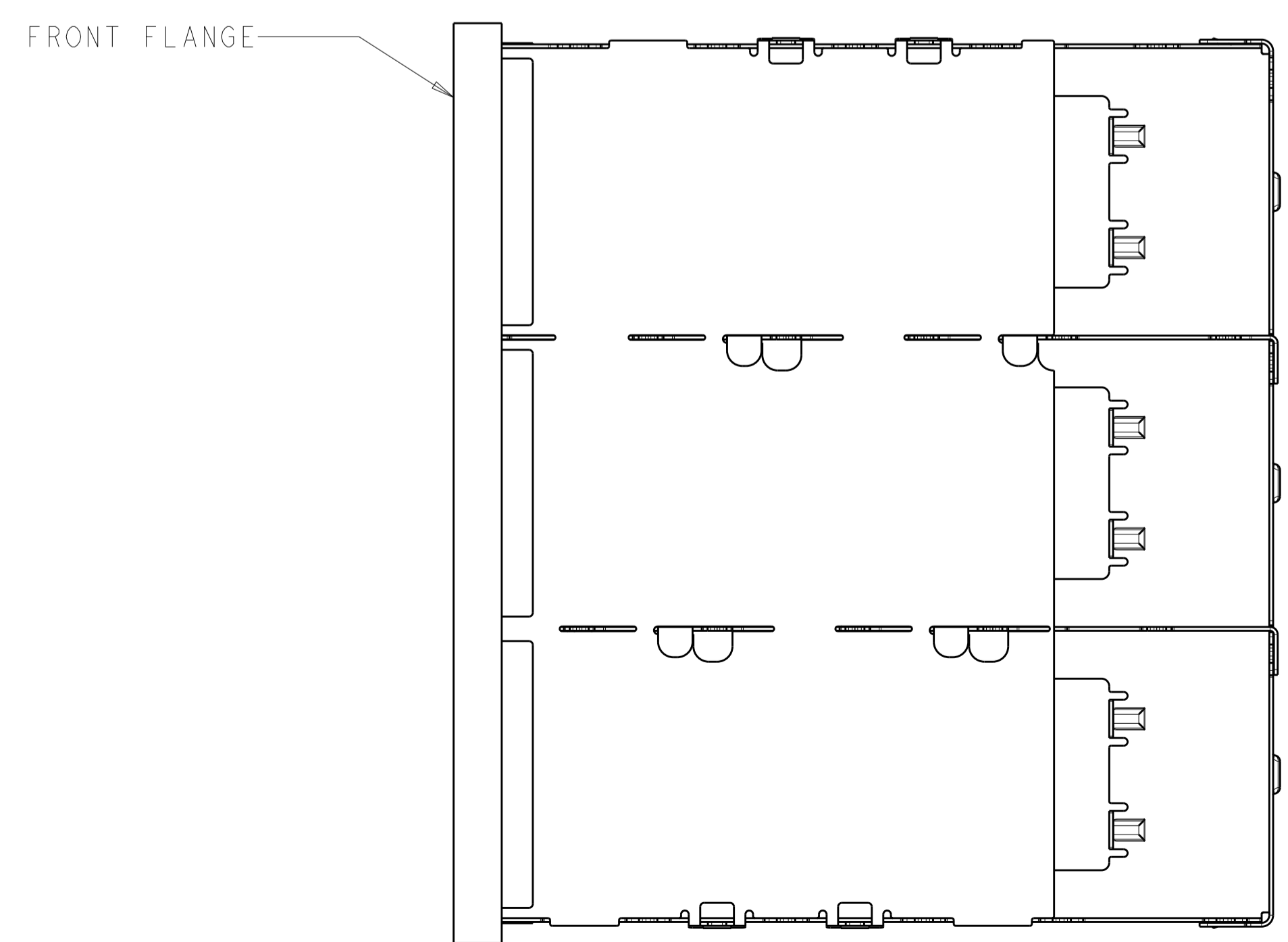


REVISIONS				
P.	LTH	DESCRIPTION	DATE	APVD
D		REVISED PER ECO-15-000148	9APR2015	RG MC

- 1 SURFACE TRACES PERMITTED WITHIN THIS AREA EXCEPT WHERE CAGE STANDOFFS, SHOWN IN DETAIL S, CONTACT PC BOARD.
- 2 PITCH BETWEEN PORTS OF ONE 1X3 CAGE ASSEMBLY.
- 3 SPACING BETWEEN CAGES ON THE SAME PC BOARD, TO BE SPECIFIED BY CUSTOMER, MUST COMPLY WITH MINIMUM DIMENSIONS SHOWN.
- 4 REFERENCE APPLICATION SPEC 114-13218 FOR RECOMMENDED DRILL HOLE DIAMETER AND PLATING THICKNESS.
- 5 UNPLATED THRU HOLE.
- 6 DATUMS AND BASIC DIMENSIONS ESTABLISHED BY CUSTOMER.
- 7 DATUM -A- IS TOP SURFACE OF PC BOARD.
- 8 DIMENSION C IS THE NOMINAL THICKNESS OF CUSTOMER SUPPLIED PC BOARD.  
 MINIMUM PC BOARD THICKNESS:  
 SINGLE SIDED = 1.45mm  
 DOUBLE SIDED = 2.2mm PER QSFP
- 9. MATES WITH QSFP MSA COMPATIBLE TRANSCEIVER.
- 10 BASELINE FOR THESE DIMENSIONS IS THE CENTER OF COMPLIANT PIN HOLE.
- 11 2D BARCODE AND DATE CODE (YYWW) MARKED APPROXIMATELY AS SHOWN.
- 12 REFERENCE APP SPEC 114-13218 FOR GASKET THICKNESS CALCULATION.
- 13 MATERIAL:  
 CAGE ASSEMBLY: NICKEL SILVER, 0.25 THICK  
 EMI SPRINGS: COPPER ALLOY  
 FRONT FLANGE: ZINC ALLOY
- 14 FINISH:  
 EMI SPRINGS: 2µm MINIMUM TIN  
 FRONT FLANGE: 3µm MINIMUM TIN OVER 1.27µm MINIMUM NICKEL OVER 5.08µm MINIMUM COPPER.



DETAIL S  
SCALE 20:1

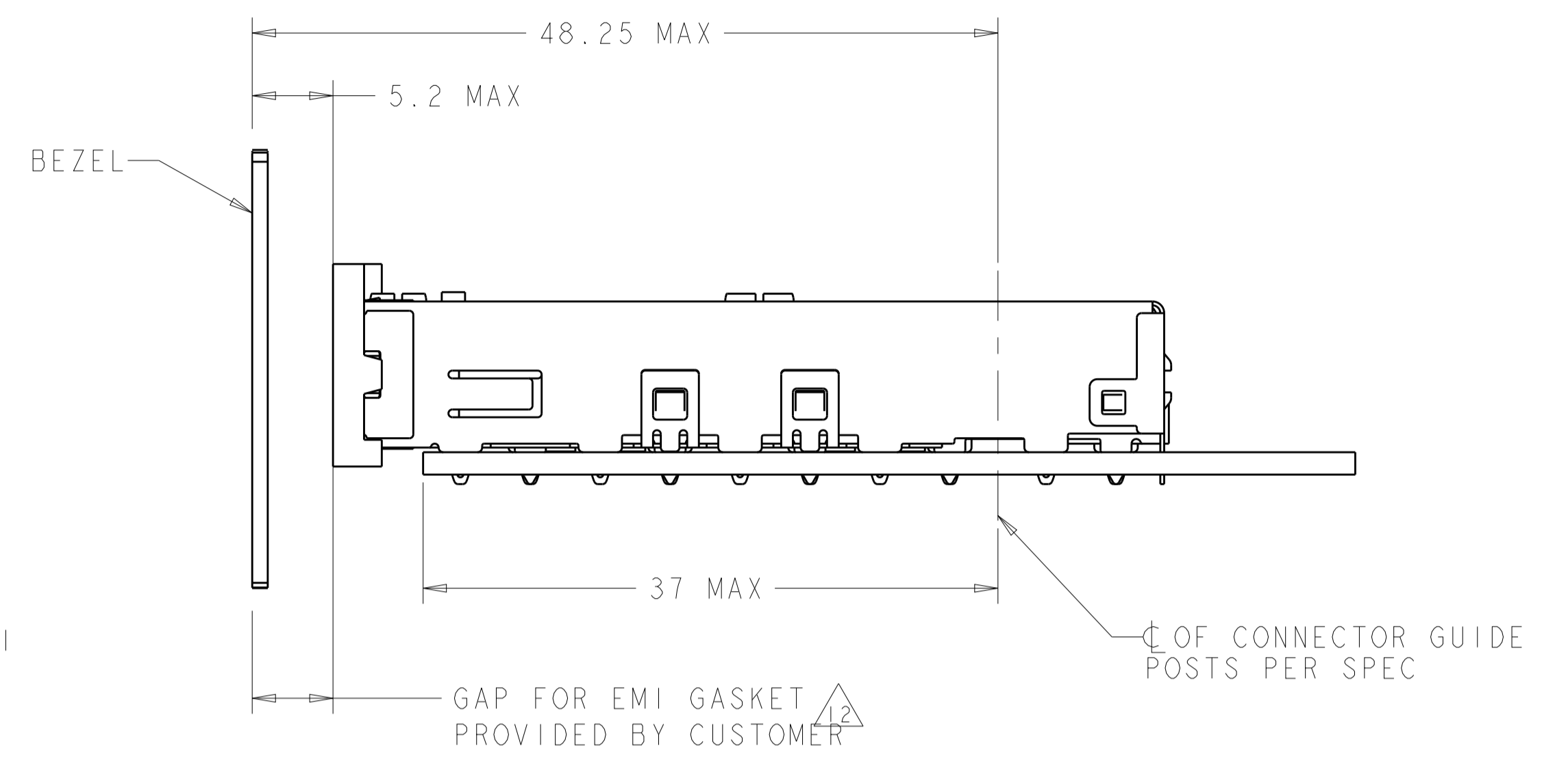
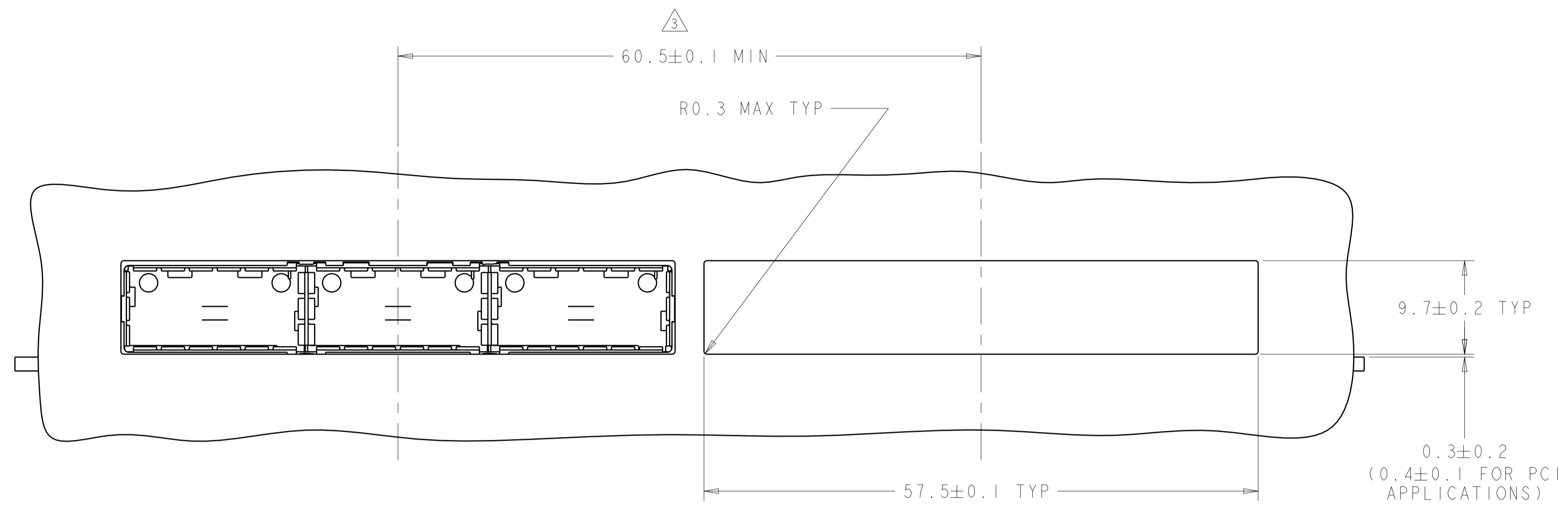


THIS PRODUCT HAS NOT COMPLETED VALIDATION/QUALIFICATION TESTING

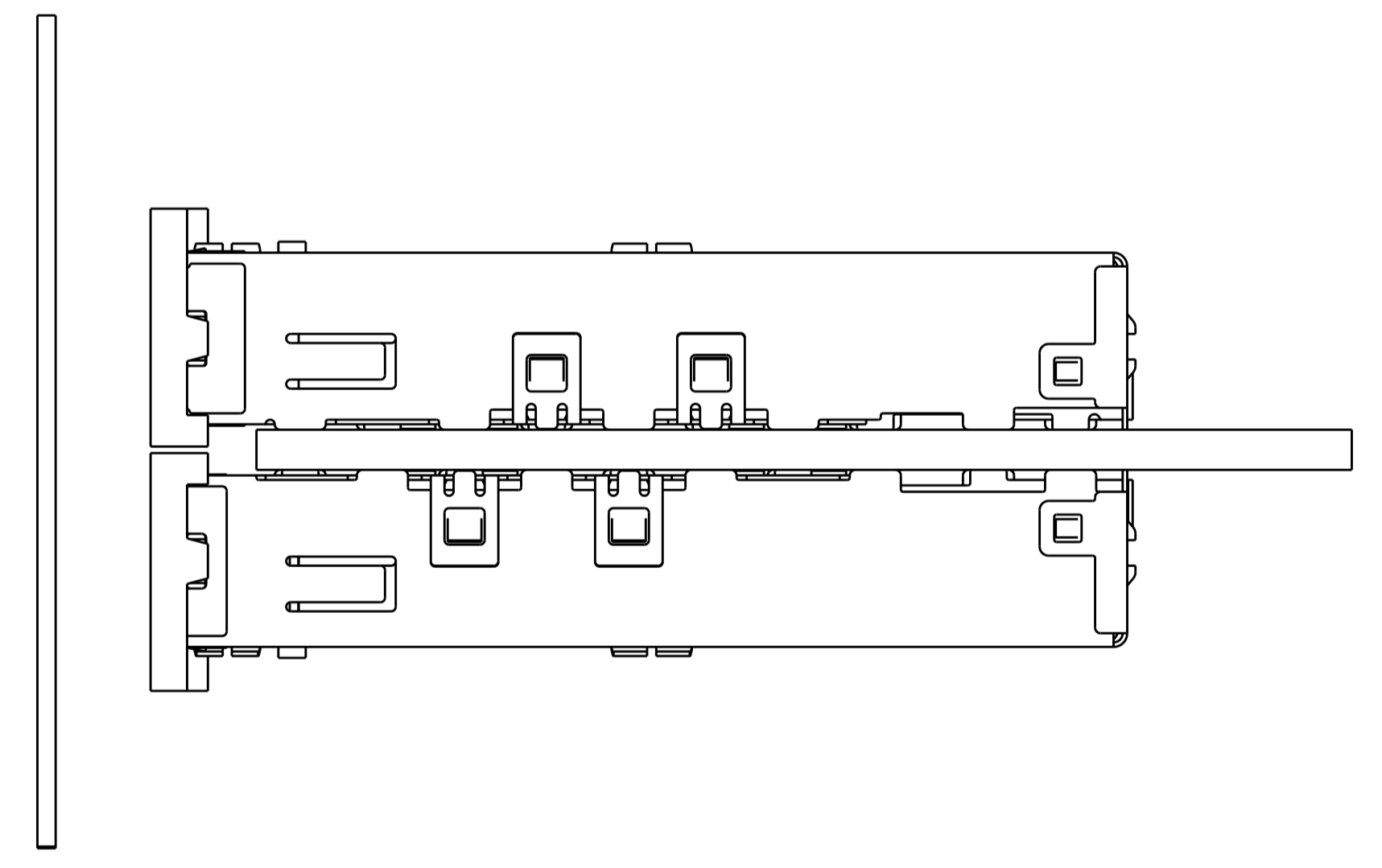
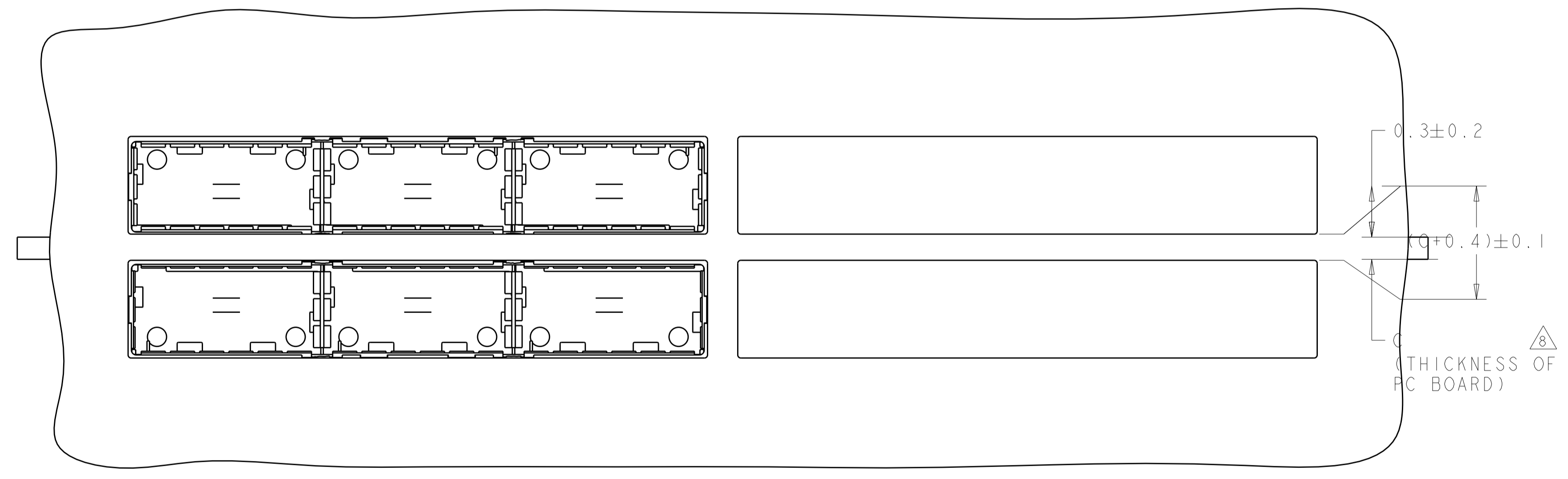
2007474-1  
PART NUMBER

THIS DRAWING IS A CONTROLLED DOCUMENT.		DWN: C. VALENTINE 07NOV2007	TE Connectivity
DIMENSIONS: mm		CHK: E. BRIGHT 07NOV2007	
TOLERANCES UNLESS OTHERWISE SPECIFIED:		APVD: E. BRIGHT 07NOV2007	NAME: 1X3 CAGE ASSEMBLY, BEHIND BEZEL, QSFP PRODUCT SPEC: 108-2286 APPLICATION SPEC: 114-13218
0 PLC	±	SIZE: CAGE CODE DRAWING NO: A100779C=2007474	
1 PLC	±0.1	RESTRICTED TO: -	
2 PLC	±0.1	SCALE: 3:1	
3 PLC	±0.013	SHEET: 1 OF 4	
4 PLC	±0.0001	REV: D	
ANGLES	±		
MATERIAL: TB3	FINISH: 14	CUSTOMER DRAWING	

REVISIONS				
P.	LTN	DESCRIPTION	DATE	OWN APVD
-	-	SEE SHEET 1	-	-



ONE SIDED CONFIGURATION  
 SCALE 3:1

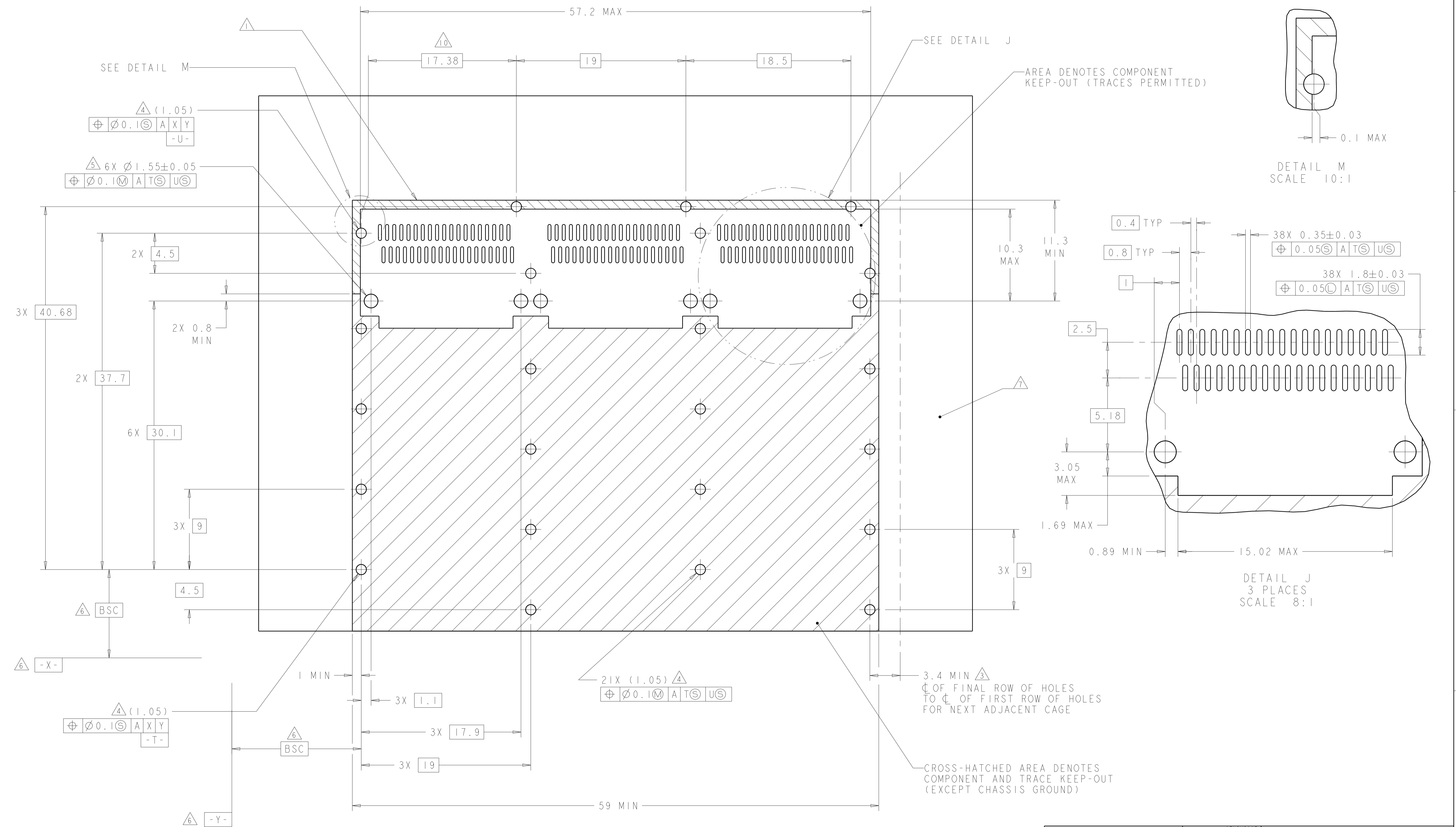


BELLY TO BELLY CONFIGURATION SIMILAR  
 TO ONE SIDED EXCEPT WHERE NOTED  
 SCALE 3:1

THIS PRODUCT HAS NOT COMPLETED VALIDATION/QUALIFICATION TESTING

THIS DRAWING IS A CONTROLLED DOCUMENT.		OWN: C. VALENTINE 07NOV2007	TE Connectivity
DIMENSIONS: mm		CHK: E. BRIGHT 07NOV2007	
TOLERANCES UNLESS OTHERWISE SPECIFIED:		APVD: E. BRIGHT 07NOV2007	NAME: 1X3 CAGE ASSEMBLY, BEHIND BEZEL, QSFP
0 PLC ±.1	1 PLC ±0.1	PRODUCT SPEC	108-2286
2 PLC ±0.1	3 PLC ±0.013	APPLICATION SPEC	114-13218
4 PLC ±0.0001	ANGLES ±.1	FINISH	114-13218
MATERIAL: TBD		WEIGHT	A100779C=2007474
		CUSTOMER DRAWING	SCALE 3:1 SHEET 2 OF 4 REV D

REVISIONS				
P.	LTN.	DESCRIPTION	DATE	APVD.
-	-	SEE SHEET 1	-	-

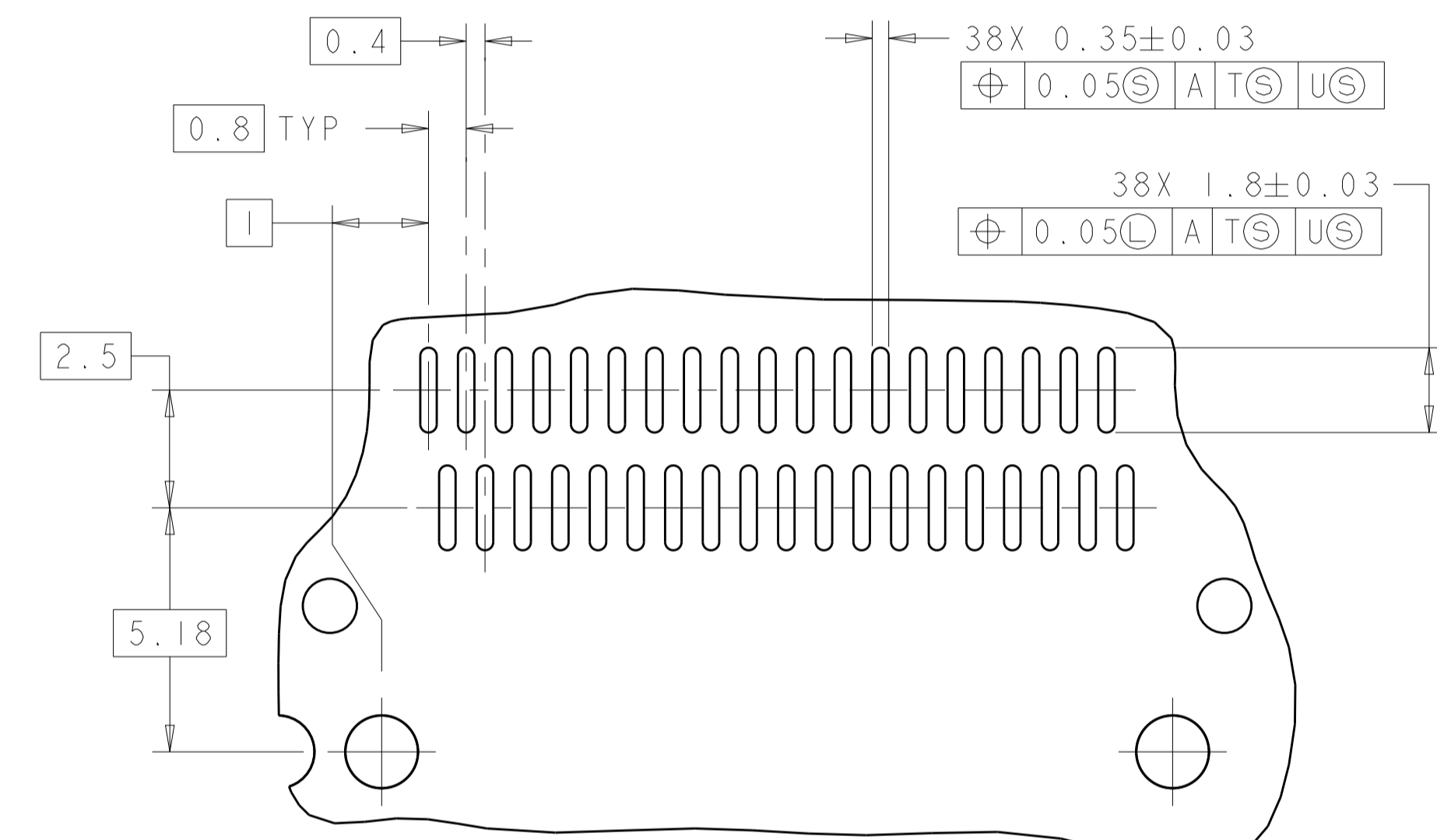
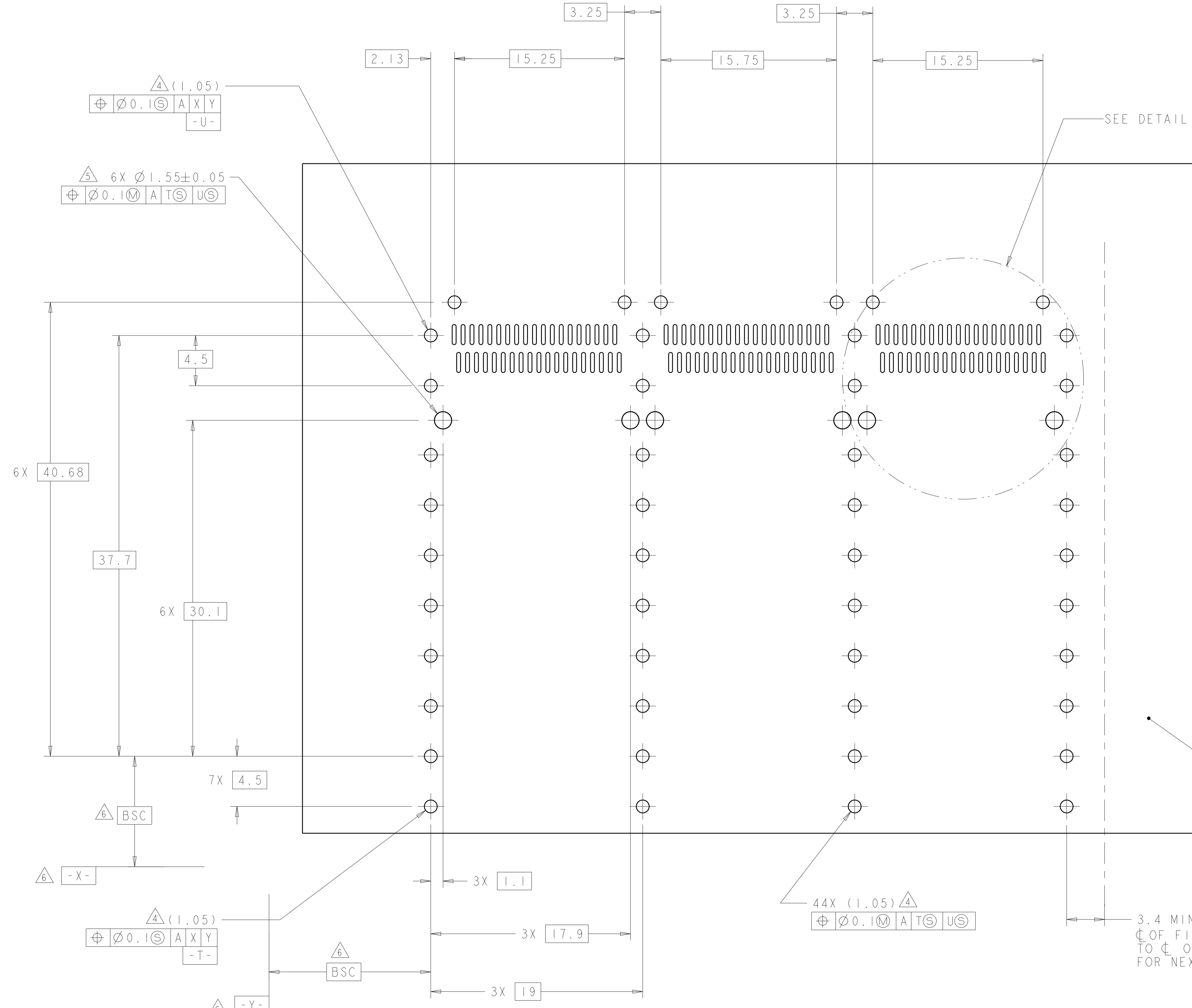


RECOMMENDED PC BOARD LAYOUT  
 SINGLE SIDE MOUNT CONFIGURATION  
 SCALE 5:1

THIS PRODUCT HAS NOT COMPLETED VALIDATION/QUALIFICATION TESTING

THIS DRAWING IS A CONTROLLED DOCUMENT.		OWN: C. VALENTINE 07NOV2007	TE Connectivity
DIMENSIONS: mm		CHK: E. BRIGHT 07NOV2007	
TOLERANCES UNLESS OTHERWISE SPECIFIED:		APVD: E. BRIGHT 07NOV2007	NAME: 1X3 CAGE ASSEMBLY, BEHIND BEZEL, QSFP
0 PLC ±0.1	1 PLC ±0.1	PRODUCT SPEC: 108-2286	SIZE: -
2 PLC ±0.1	3 PLC ±0.013	APPLICATION SPEC: 114-13218	RESTRICTED TO: -
4 PLC ±0.0001	ANGLES ±0.0001	WEIGHT: -	SCALE: 3:1
MATERIAL: TBD	FINISH: -	CUSTOMER DRAWING	SHEET 3 OF 4

REVISIONS				
P.	LTN	DESCRIPTION	DATE	APPD
-	-	SEE SHEET 1	-	-



DETAIL K  
 3 PLACES  
 SCALE 8:1

RECOMMENDED PC BOARD LAYOUT  
 BELLY TO BELLY CONFIGURATION  
 SCALE 5:1

THIS PRODUCT HAS NOT COMPLETED VALIDATION/QUALIFICATION TESTING

THIS DRAWING IS A CONTROLLED DOCUMENT.		DWN: C. VALENTINE 07NOV2007 CHK: E. BRIGHT 07NOV2007 APVD: E. BRIGHT 07NOV2007	TE Connectivity	
DIMENSIONS: mm 		TOLERANCES UNLESS OTHERWISE SPECIFIED: 0 PLC ± 1 PLC ±0.1 2 PLC ±0.1 3 PLC ±0.013 4 PLC ±0.0001 ANGLES ±	NAME: 1X3 CAGE ASSEMBLY, BEHIND BEZEL, QSFP PRODUCT SPEC: 108-2286 APPLICATION SPEC: 114-13218 WEIGHT: - CUSTOMER DRAWING	
MATERIAL: TBD		SIZE: A1 CAGE CODE: 00779 DRAWING NO: 2007474 RESTRICTED TO: -		SCALE: 3:1 SHEET: 4 OF 4 REV: D