

- △ MATERIAL HOUSING AND EXTRACTORS: GLASS FILLED HIGH TEMPERATURE NYLON, UL94 V-0. CONTACT: PHOS. BRONZE, C51100, TEMPER H06. RETENTION POST: STAINLESS STEEL, AMP 100-309.
- △ FINISH CONTACT: NICKEL PLATE ALL OVER 0.00127-0.00191(0.000050-0.000075) THICK PER AMP SPEC 112-25-2. GOLD PLATE IN INTERFACE AREA 0.00038 [0.00015] MIN THICK PER AMP SPEC 112-162-5. LEAD-FREE MATTE TIN PLATE IN SOLDER TAIL AREA .00381-.00635 [0.00150-0.00250] THICK PER AMP SPEC 112-65-1.
- △ PART NUMBER WILL NOT HAVE METAL RETENTION POSTS.
- △ RETENTION POST: BRASS
- △ EXTRACTOR MATERIAL: GLASS-FILLED HIGH TEMPERATURE NYLON, COLOR-BLACK.
- △ GOLD PLATE IN INTERFACE AREA 0.00076 (0.00030) MIN THICK PER AMP SPEC 112-162-5 OVER 0.00254 (0.00100) MIN THICK NICKEL PER AMP SPEC 112-25-3.
- △ HOUSING MATERIAL: GLASS FILLED HIGH TEMPERATURE NYLON, COLOR-BLUE.
- △ PRELIMINARY - NOT RELEASED FOR PRODUCTION
- △ GOLD PLATE IN INTERFACE AREA 0.00038 [0.00015] MIN THICK PER AMP SPEC 112-162-5 OVER 0.00254 [0.00100] MIN THICK NICKEL PER AMP SPEC 112-25-3. MATTE TIN IN SOLDER TAIL AREA .00381-.00635 [0.00150-0.00250] THICK PER AMP SPEC 112-65-1 OVER 0.00127-.00510 [0.00050-0.00200] THICK NICKEL PER AMP SPEC 112-25-3.
- △ GOLD PLATE IN INTERFACE AREA 0.00038 [0.00015] MIN THICK PER AMP SPEC 112-162-5 OVER 0.00127 MIN THICK NICKEL PER AMP SPEC 112-25-2. GOLD FLASH IN SOLDER TAIL AREA PER AMP SPEC 112-162-5 OVER 0.00127 THICK NICKEL PER AMP SPEC 112-25-2.
- △ OBSOLETE PARTS: OBSOLETE CIS STREAMLINING PER DRENAUD/D.SINISI

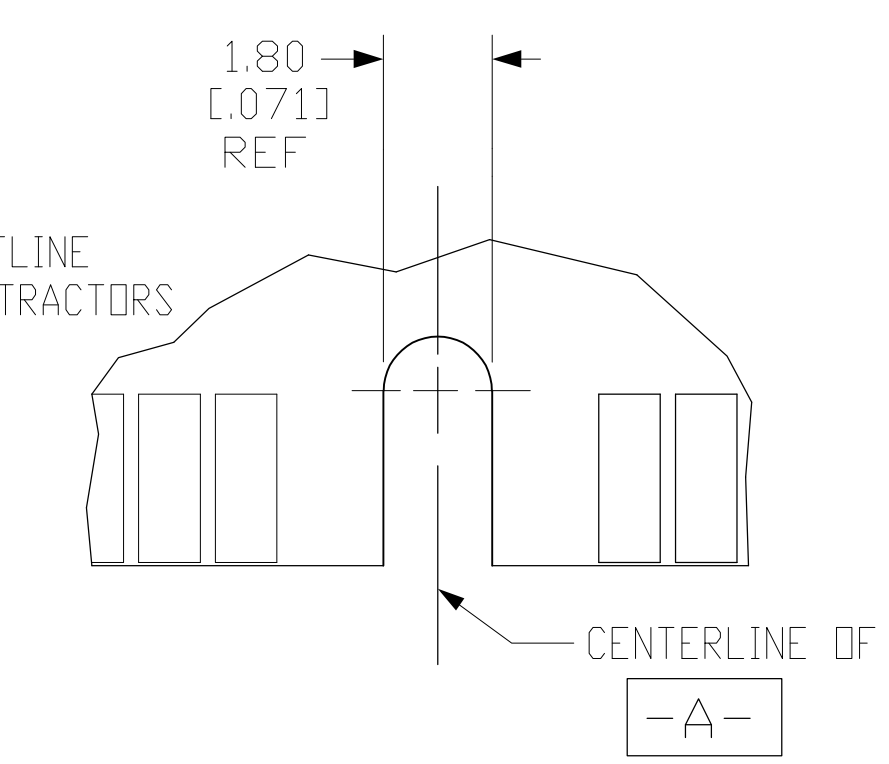
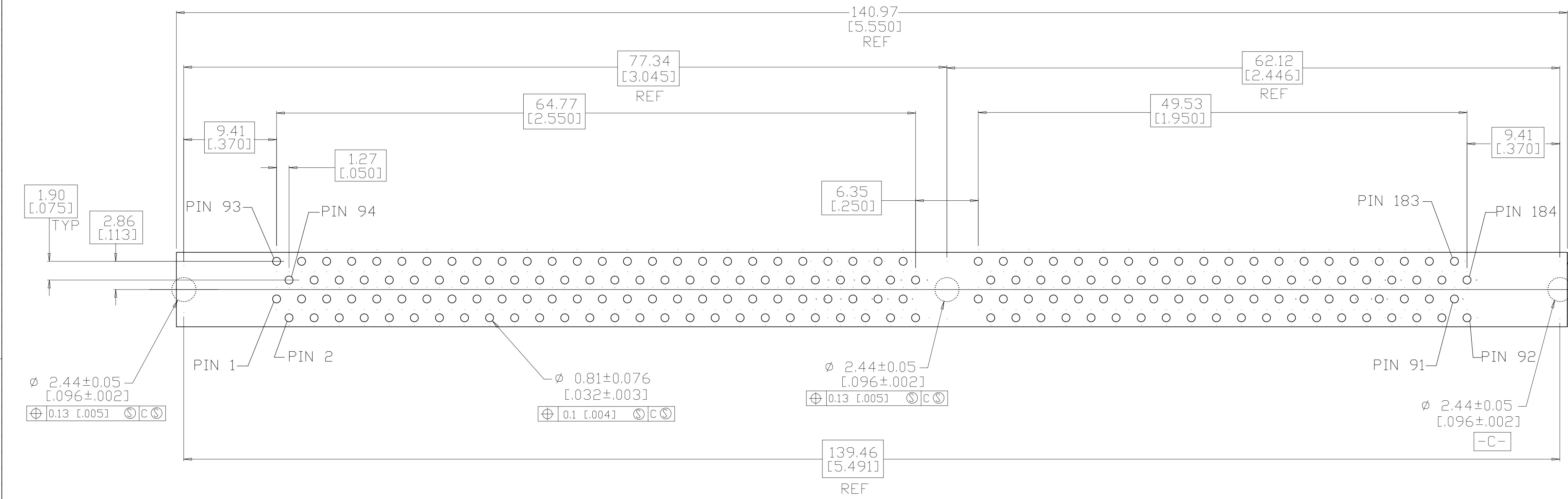
EXTRACTOR COLOR	HOUSING COLOR	DIM "B"	SOLDER TAIL LENGTH DIM "A"	KEY POSITION	DESCRIPTION	PART NUMBER
NATURAL	BLACK	1.07 [0.42]	2.79 [0.110]	DETAIL B	184 POSN. DIMM2P , 2.5V, 30 GOLD PLATED CONTACTS	6-5390241-3
NATURAL	BLACK	1.07 [0.42]	3.30 [0.130]	DETAIL B	184 POSN. DIMM2P , 2.5V, 30 GOLD PLATED CONTACTS	4-5390241-5
NATURAL	BLACK	1.07 [0.42]	4.26 [0.168]	DETAIL B	184 POSN. DIMM2P , 2.5V, 30 GOLD PLATED CONTACTS	6-5390241-1
NATURAL	BLACK	1.07 [0.42]	2.79 [0.110]	DETAIL B	184 POSN. DIMM2P , 2.5V, PRE-PLATED CONTACTS	3-5390241-3
BLACK	BLACK	1.07 [0.42]	2.79 [0.110]	DETAIL A	184 POSN. DIMM2P , 1.8V, PRE-PLATED CONTACTS	1-5390241-2
NATURAL	BLACK	1.07 [0.42]	2.79 [0.110]	DETAIL B	184 POSN. DIMM2P , 2.5V, TAIL GOLD FLASH CONTACTS	1-5390241-0
NATURAL	BLACK	1.47 [0.058]	3.30 [0.130]	DETAIL B	184 POSN. DIMM2P , 2.5V, PRE-PLATED CONTACTS	5390241-8
NATURAL	BLACK	1.47 [0.058]	2.79 [0.110]	DETAIL B	184 POSN. DIMM2P , 2.5V, PRE-PLATED CONTACTS	5390241-5
NATURAL	BLACK	1.07 [0.42]	3.30 [0.130]	DETAIL B	184 POSN. DIMM2P , 2.5V, PRE-PLATED CONTACTS	5390241-4
NATURAL	BLACK	1.07 [0.42]	2.79 [0.110]	DETAIL B	184 POSN. DIMM2P , 2.5V, PRE-PLATED CONTACTS	5390241-1

SECTION Y-Y
CIRCUITS 1 AND 93
SCALE 8:1

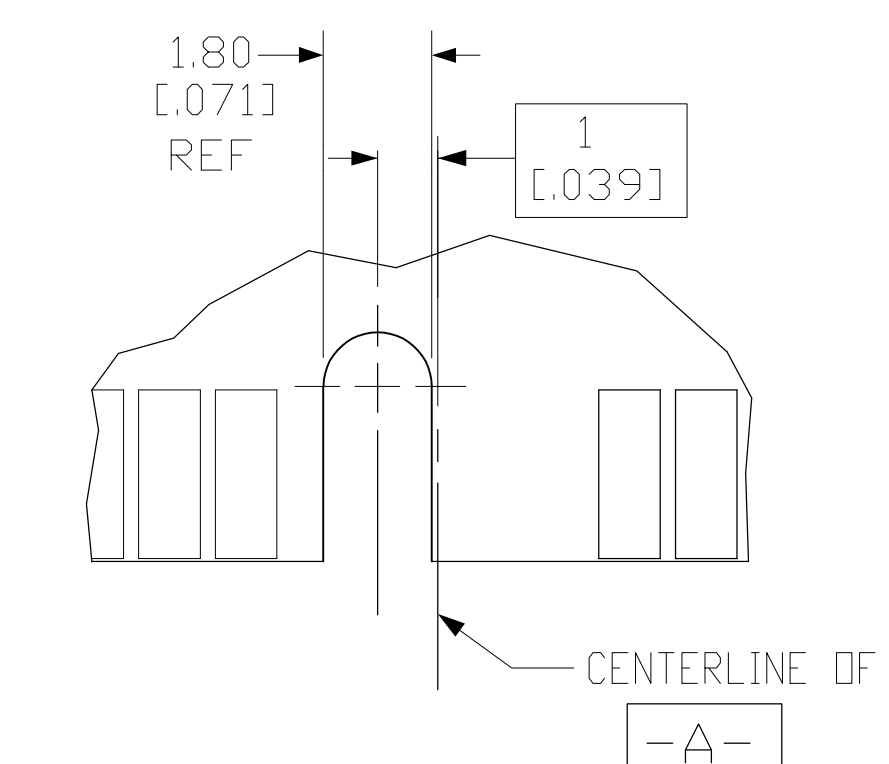
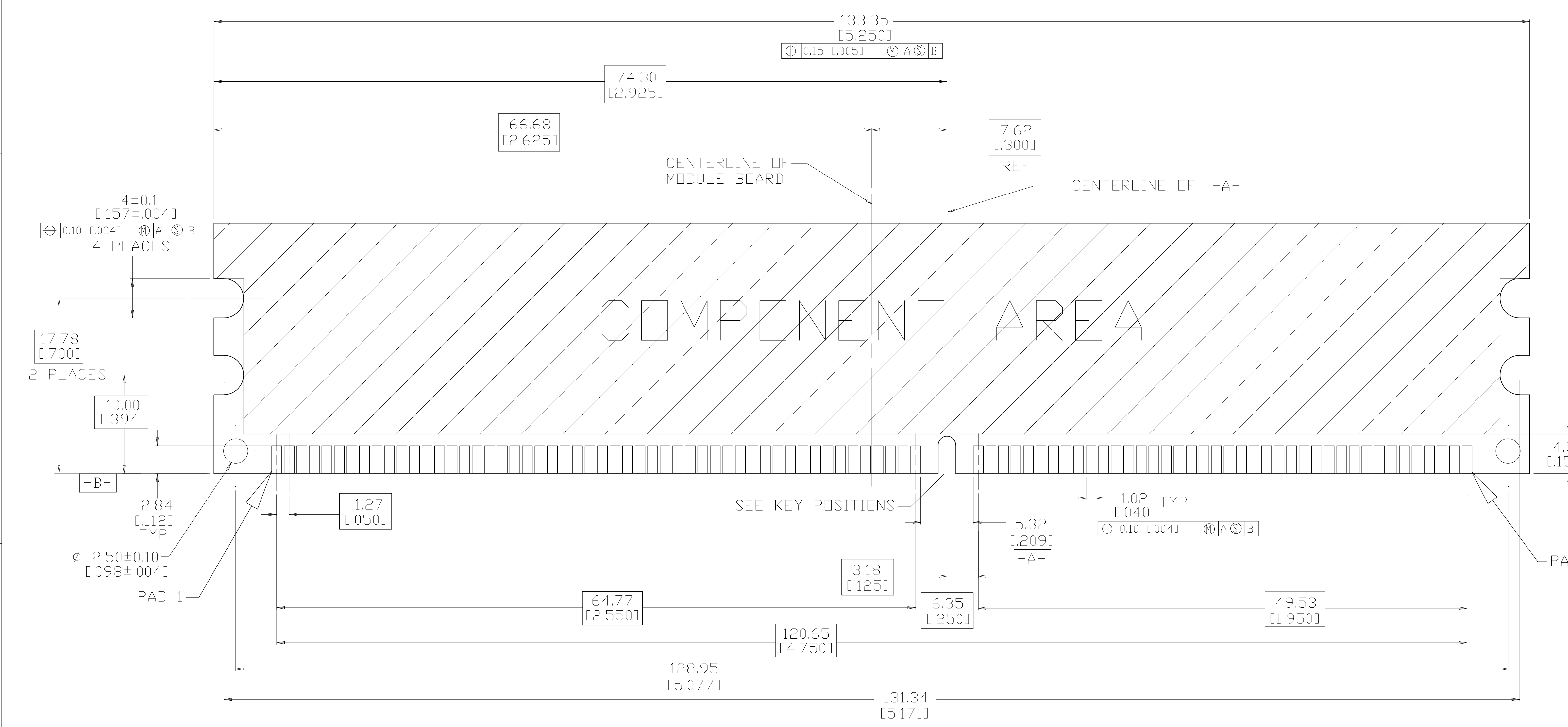
SECTION X-X
SCALE 8:1

THIS DRAWING IS A CONTROLLED DOCUMENT.

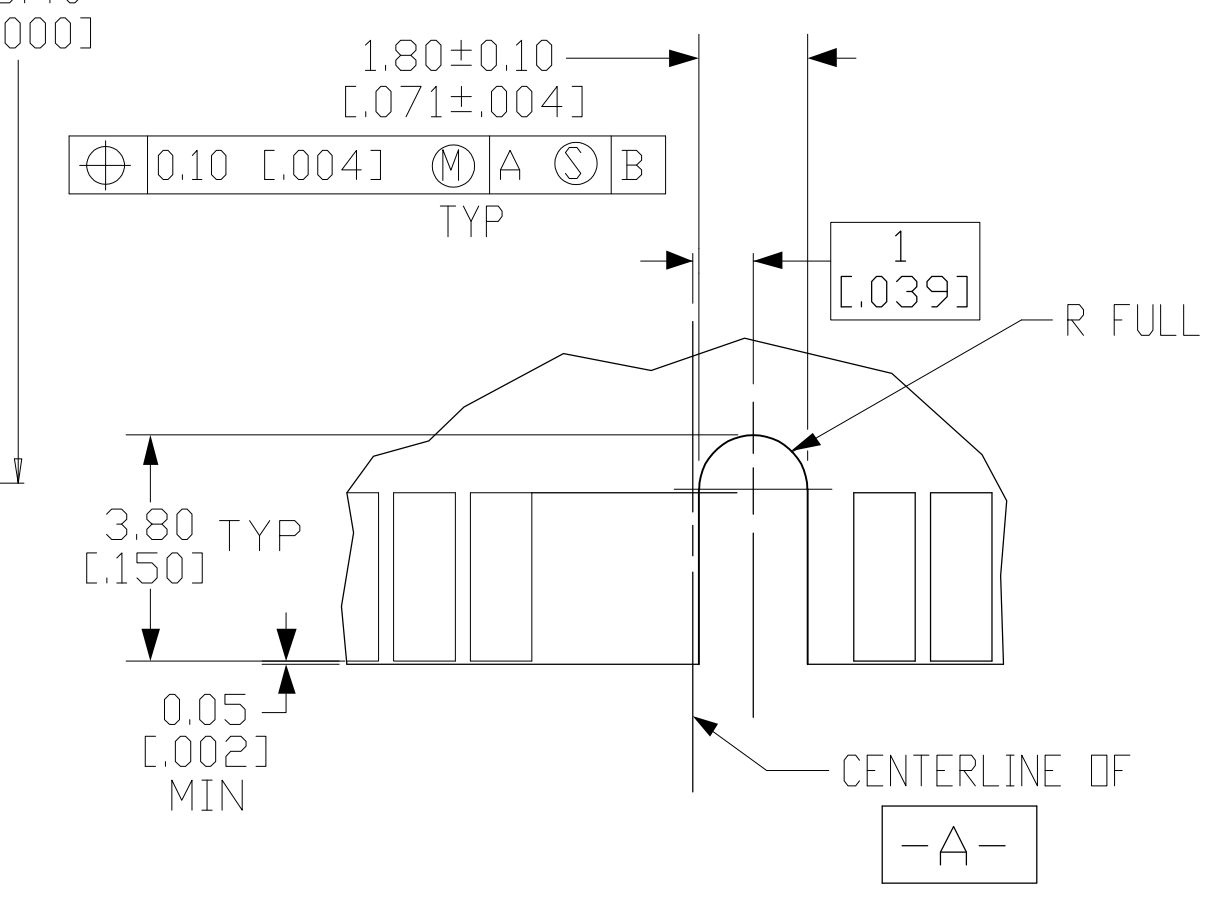
DIMENSIONS: mm [INCHES]	TOLERANCES UNLESS OTHERWISE SPECIFIED:	DIN J. BURWELL 04JUN04	STE TE Connectivity
0 PLC ± -	1 PLC ± -	CHK D. SHIRLING 04JUN04	NAME SOCKET ASSEMBLY, DIMM2P
2 PLC ± 0.13 [0.005]	3 PLC ± -	APP'D D. SHIRLING 04JUN04	108-1753
4 PLC ± -	ANGLES ± -	PRODUCT SPEC	114-1115
MATERIAL	FINISH	APPLICATION SPEC	SIZE CAGE CODE DRAWING NO
		WEIGHT	A1 00779 5390241
		CUSTOMER DRAWING	SCALE 4:1 SHEET 1 OF 2 REV E



DETAIL A
SCALE 8:1



DETAIL B
SCALE 8:1



DETAIL C
SCALE 8:1

KEY POSITIONS

RECOMMENDED MODULE LAYOUT
SEE JEDEC SPEC MO-206 FOR COMPLETE MODULE DETAILS
1.27±0.10 [0.050±0.004] THICK ACROSS CONTACT PADS

THIS DRAWING IS A CONTROLLED DOCUMENT.		DWN: J.BURWELL 04JUN04	TE Connectivity	
DIMENSIONS: mm [INCHES]		CHK: D.SHIRLING 04JUN04	NAME: SOCKET ASSEMBLY, DIMM2P	
TOLERANCES UNLESS OTHERWISE SPECIFIED:		APP'D: D.SHIRLING 04JUN04	PRODUCT SPEC: 108-1753	
0 PLG	± -		APPLICATION SPEC: 114-1115	
1 PLG	± -		SIZE: A1	CAGE CODE: 00779
2 PLG	± 0.13 [0.005]		DRAWING NO: 5390241	
3 PLG	± -		REV: E	
4 PLG	± -		SCALE: 4:1	
ANGLES	± -		SHEET: 2 OF 2	
MATERIAL:	FINISH:	WEIGHT: -	CUSTOMER DRAWING	