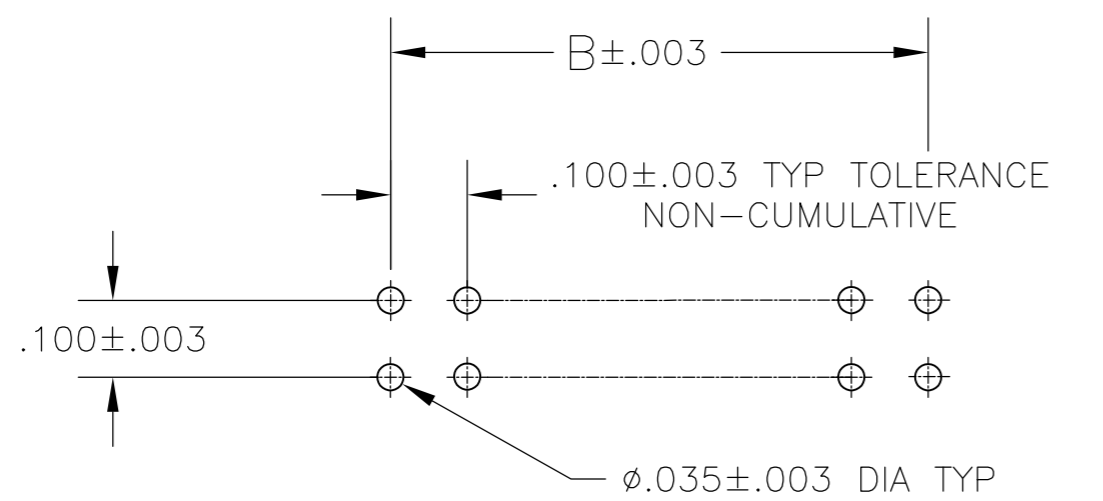
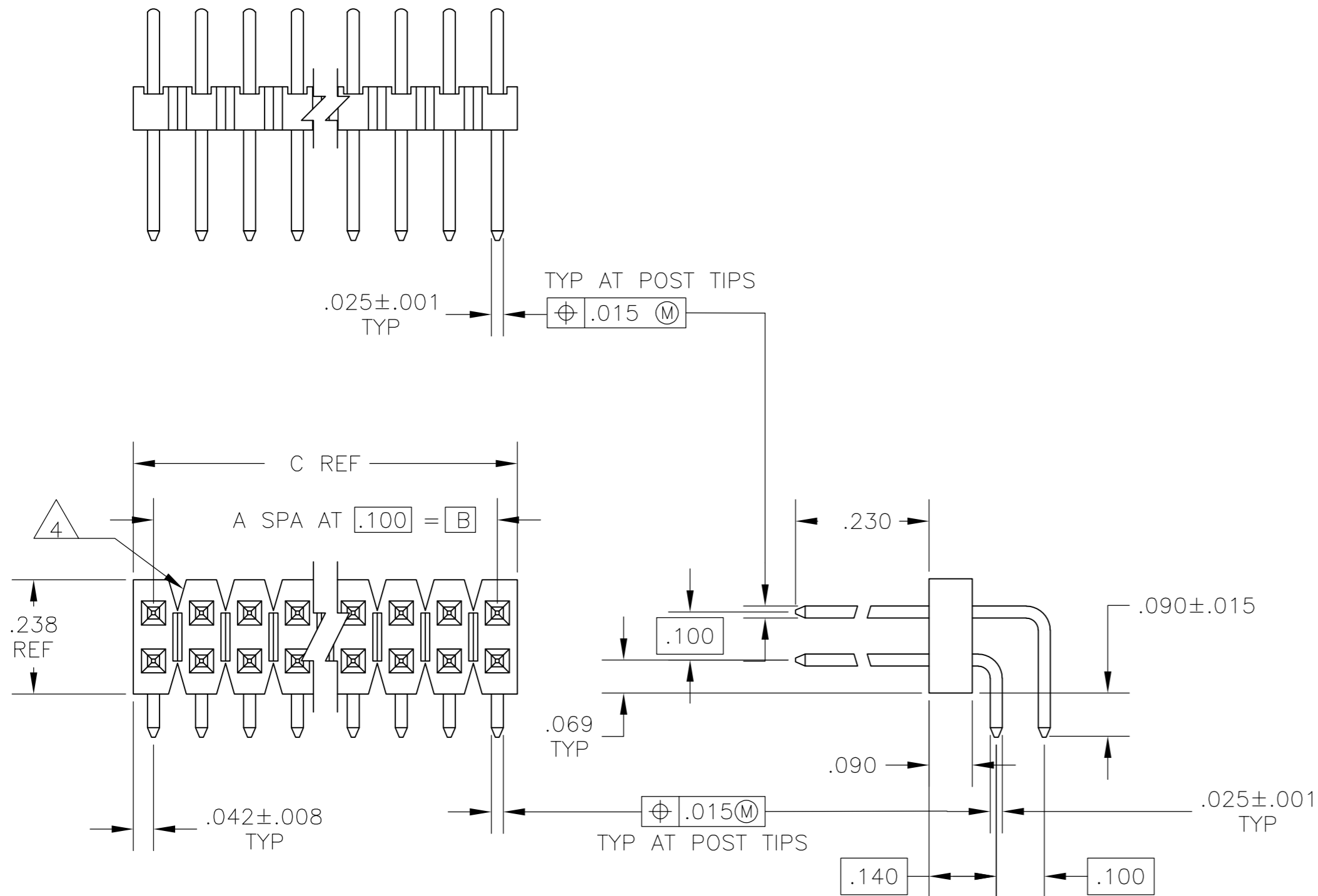


THIS DRAWING IS UNPUBLISHED. RELEASED FOR PUBLICATION
 © COPYRIGHT - By - ALL RIGHTS RESERVED.

LOC		DIST		REVISIONS			
P	LTR	DESCRIPTION	DATE	DWN	APVD		
	L2	REVISED PER ECO-11-004820	11MAR11	RK	HMR		



RECOMMENDED HOLE LAYOUT

- 1 ASSEMBLIES MAY BE BROKEN TO THE DESIRED NUMBER OF POSITIONS
- 2 TRUE POSITION TOLERANCE OF THE POST TIPS APPLIES WHEN THE HEADERS ARE HELD FLAT AGAINST THE PRINTED CIRCUIT BOARD
- 3 $.000100-.000200$ MATTE TIN-LEAD OVER $.000050$ NICKEL ENTIRE POST
- 4 BREAKAWAY NOTCH ANGLE CAN BE ORIENTED TO THE RIGHT (AS SHOWN) OR TO THE LEFT
- 5 $.000100-.000200$ BRIGHT TIN OVER $.000050$ NICKEL ENTIRE POST
- 6 PRELIMINARY PART-NOT RELEASED FOR PRODUCTION.
- 7 $.000100-.000200$ MATTE TIN OVER $.000050$ NICKEL ENTIRE POST
- 8 HIGH TEMP CONFIGURATION
- 9 OBSOLETE PARTS: OBSOLETE CIS STREAMLINING PER D.RENAUD/D.SINISI

THIS DRAWING IS A CONTROLLED DOCUMENT.		DWN L. D. RINGLEY 30JUL85	STE TE Connectivity	
DIMENSIONS: INCHES		CHK J. GESFORD 27AUG03		
TOLERANCES UNLESS OTHERWISE SPECIFIED:		APVD J. GESFORD 27AUG03	NAME	
0 PLC ± -		PRODUCT SPEC	ASSEMBLY, MOD II, HEADER, BREAKAWAY, DOUBLE ROW, RIGHT ANGLE, .100X.100 C/L, WITH .025 SQ. POSTS	
1 PLC ± -		APPLICATION SPEC	SIZE	RESTRICTED TO
2 PLC ± -		WEIGHT	A2	
3 PLC ± .005		CUSTOMER DRAWING	CAGE CODE	DRAWING NO
4 PLC ± -		SCALE	00779	C=103795
ANGLES ± -		SCALE	4:1	SHEET
FINISH		SCALE	4:1	1 OF 2
SEE TABLE		SCALE	4:1	REV
		SCALE	4:1	L2

THIS DRAWING IS UNPUBLISHED. RELEASED FOR PUBLICATION
 © COPYRIGHT - By - ALL RIGHTS RESERVED.

LOC	DIST	REVISIONS					
AD	00	P	LTR	DESCRIPTION	DATE	DWN	APVD
		-		SEE SHEET 1	-	-	-

OBSOLETE	8	7	3.984	3.900	39	80	9-103795-0
	8	7	3.884	3.800	38	78	8-103795-9
	8	7	3.784	3.700	37	76	8-103795-8
	8	7	3.684	3.600	36	74	8-103795-7
	8	7	3.584	3.500	35	72	8-103795-6
	8	7	3.484	3.400	34	70	8-103795-5
	8	7	3.284	3.300	33	68	8-103795-4
	8	7	3.284	3.200	32	66	8-103795-3
	8	7	3.184	3.100	31	64	8-103795-2
	8	7	3.084	3.000	30	62	8-103795-1
	8	7	2.984	2.900	29	60	8-103795-0
	8	7	2.884	2.800	28	58	7-103795-9
	8	7	2.784	2.700	27	56	7-103795-8
	8	7	2.684	2.600	26	54	7-103795-7
	8	7	2.584	2.500	25	52	7-103795-6
	8	7	2.484	2.400	24	50	7-103795-5
	8	7	2.384	2.300	23	48	7-103795-4
	8	7	2.284	2.200	22	46	7-103795-3
	8	7	2.184	2.100	21	44	7-103795-2
	8	7	2.084	2.000	20	42	7-103795-1
8	7	1.984	1.900	19	40	7-103795-0	
8	7	1.884	1.800	18	38	6-103795-9	
8	7	1.784	1.700	17	36	6-103795-8	
OBSOLETE	8	7	1.684	1.600	16	34	6-103795-7
	8	7	1.584	1.500	15	32	6-103795-6
	8	7	1.484	1.400	14	30	6-103795-5
	8	7	1.384	1.300	13	28	6-103795-4
	8	7	1.284	1.200	12	26	6-103795-3
OBSOLETE	8	7	1.184	1.100	11	24	6-103795-2
	8	7	1.084	1.000	10	22	6-103795-1
OBSOLETE	8	7	.984	.900	9	20	6-103795-0
OBSOLETE	8	7	.884	.800	8	18	5-103795-9
	8	7	.784	.700	7	16	5-103795-8
	8	7	.684	.600	6	14	5-103795-7
	8	7	.584	.500	5	12	5-103795-6
OBSOLETE	8	7	.484	.400	4	10	5-103795-5
	8	7	.384	.300	3	8	5-103795-4
	8	7	.284	.200	2	6	5-103795-3
OBSOLETE	8	7	.184	.100	1	4	5-103795-2
	8	7	.084			2	5-103795-1
	REMARKS	PLATING	C	B	A	NO OF POS	ASSEMBLY PART NUMBER

OBSOLETE	5	.384	.300	3	8	4-103795-1	
	3	3.984	3.900	39	80	4-103795-0	
	3	3.884	3.800	38	78	3-103795-9	
	3	3.784	3.700	37	76	3-103795-8	
	3	3.684	3.600	36	74	3-103795-7	
	3	3.584	3.500	35	72	3-103795-6	
	3	3.484	3.400	34	70	3-103795-5	
	3	3.284	3.300	33	68	3-103795-4	
	3	3.284	3.200	32	66	3-103795-3	
	3	3.184	3.100	31	64	3-103795-2	
	3	3.084	3.000	30	62	3-103795-1	
	3	2.984	2.900	29	60	3-103795-0	
	3	2.884	2.800	28	58	2-103795-9	
	3	2.784	2.700	27	56	2-103795-8	
	3	2.684	2.600	26	54	2-103795-7	
	3	2.584	2.500	25	52	2-103795-6	
	3	2.484	2.400	24	50	2-103795-5	
	3	2.384	2.300	23	48	2-103795-4	
	3	2.284	2.200	22	46	2-103795-3	
	3	2.184	2.100	21	44	2-103795-2	
3	2.084	2.000	20	42	2-103795-1		
3	1.984	1.900	19	40	2-103795-0		
3	1.884	1.800	18	38	1-103795-9		
3	1.784	1.700	17	36	1-103795-8		
3	1.684	1.600	16	34	1-103795-7		
3	1.584	1.500	15	32	1-103795-6		
3	1.484	1.400	14	30	1-103795-5		
3	1.384	1.300	13	28	1-103795-4		
3	1.284	1.200	12	26	1-103795-3		
3	1.184	1.100	11	24	1-103795-2		
3	1.084	1.000	10	22	1-103795-1		
3	.984	.900	9	20	1-103795-0		
3	.884	.800	8	18	103795-9		
3	.784	.700	7	16	103795-8		
3	.684	.600	6	14	103795-7		
3	.584	.500	5	12	103795-6		
3	.484	.400	4	10	103795-5		
3	.384	.300	3	8	103795-4		
3	.284	.200	2	6	103795-3		
3	.184	.100	1	4	103795-2		
3	.084			2	103795-1		
	REMARKS	PLATING	C	B	A	NO OF POS	ASSEMBLY PART NUMBER

THIS DRAWING IS A CONTROLLED DOCUMENT.

DWN	L. D. RINGLEY	30JUL85	TE TE Connectivity
CHK	J. GESFORD	27AUG03	
APVD	J. GESFORD	27AUG03	
PRODUCT SPEC	NAME		
APPLICATION SPEC	ASSEMBLY, MOD II, HEADER, BREAKAWAY, DOUBLE ROW, RIGHT ANGLE, .100X.100 C/L, WITH .025 SQ. POSTS		
WEIGHT	-	A2	RESTRICTED TO
CUSTOMER DRAWING	SCALE 1:1	SHEET 2 of 2	REV L2

0 PLG ± -
 1 PLG ± -
 2 PLG ± -
 3 PLG ± .005
 4 PLG ± -
 ANGLES ± -
 FINISH SEE TABLE