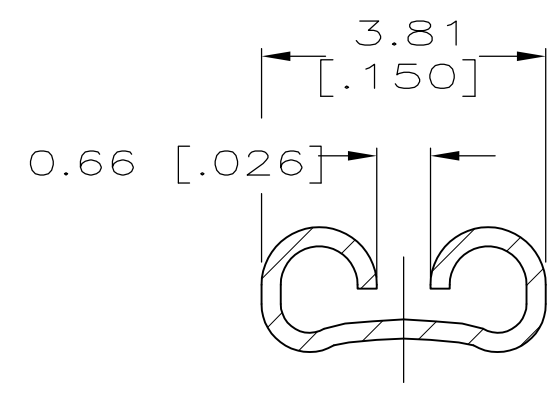
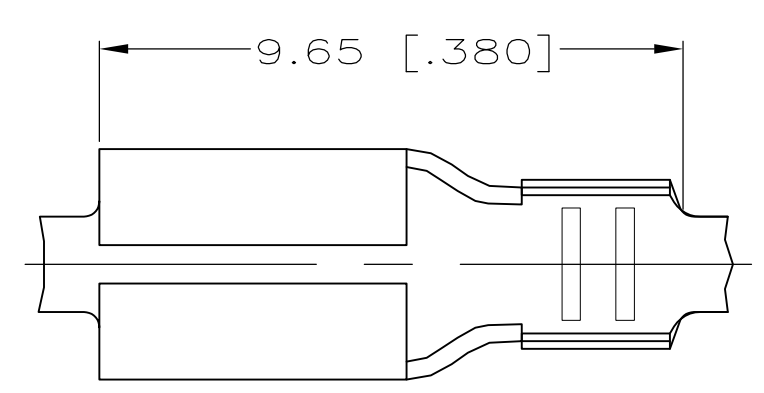


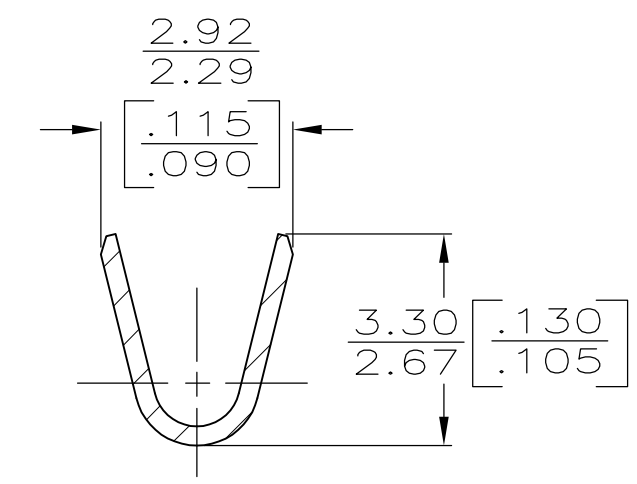
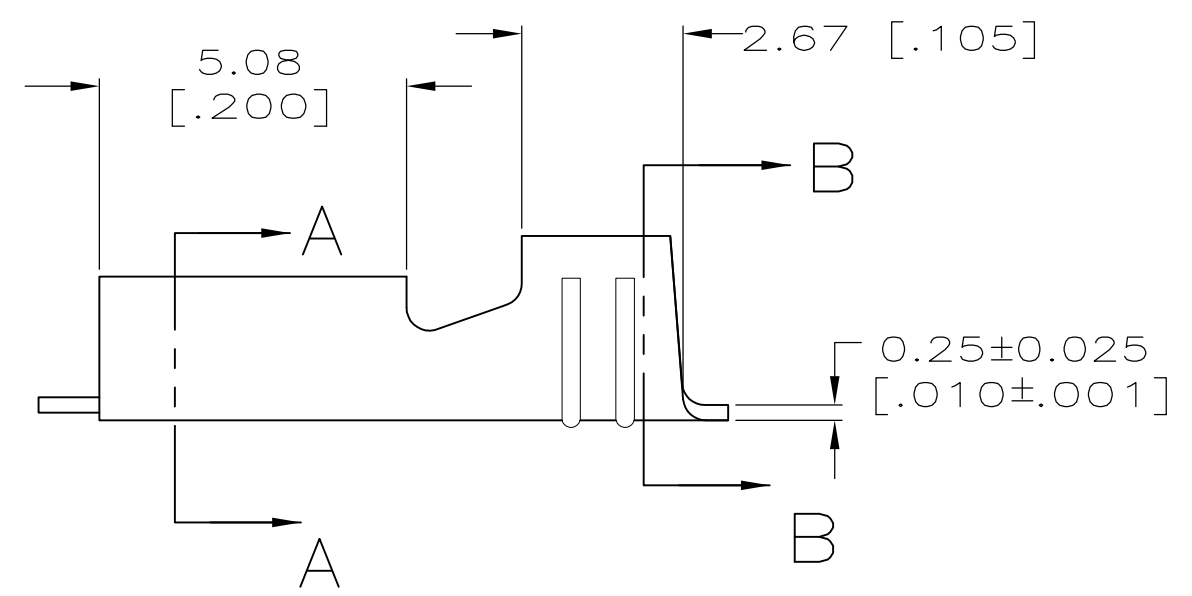
THIS DRAWING IS UNPUBLISHED. RELEASED FOR PUBLICATION
 © COPYRIGHT - By - ALL RIGHTS RESERVED.

LOC	DIST	REVISIONS			
P	LTR	DESCRIPTION	DATE	DWN	APVD
AF	50	G	REVISED PER ECR-12-013459	27NOV2012	KH PD

- 1 CONTINUOUS STRIP ON REELS
- △ 2 TIN OVER COPPER



SECTION A-A
SCALE 10:1



SECTION B-B
SCALE 10:1

△ 2 PRE-TIN	#20-#18 AWG	0.51 [.020]	62850-2 62850-1
FINISH	WIRE SIZE	MATING TAB THK ±.001	PART NO

THIS DRAWING IS A CONTROLLED DOCUMENT.		DWN JR RUTH 2/2/94	TE Connectivity RECEPTACLE, FASTON,™ 2.79 [.110] SERIES															
DIMENSIONS: mm [INCHES]		CHK MS FEHER 2/2/94				NAME												
TOLERANCES UNLESS OTHERWISE SPECIFIED:		APVD P DESANTIS 2/2/94				PRODUCT SPEC												
<table border="0"> <tr><td>0 PLC</td><td>± -</td></tr> <tr><td>1 PLC</td><td>± -</td></tr> <tr><td>2 PLC</td><td>± 0.38 [.015]</td></tr> <tr><td>3 PLC</td><td>± -</td></tr> <tr><td>4 PLC</td><td>± -</td></tr> <tr><td>ANGLES</td><td>± -</td></tr> </table>		0 PLC				± -	1 PLC	± -	2 PLC	± 0.38 [.015]	3 PLC	± -	4 PLC	± -	ANGLES	± -	APPLICATION SPEC	SIZE
0 PLC	± -																	
1 PLC	± -																	
2 PLC	± 0.38 [.015]																	
3 PLC	± -																	
4 PLC	± -																	
ANGLES	± -																	
MATERIAL BRASS	FINISH SEE TABLE	WEIGHT -	A3	00779	C-62850	-												
CUSTOMER DRAWING			SCALE 8:1	SHEET 1 OF 1	REV G													