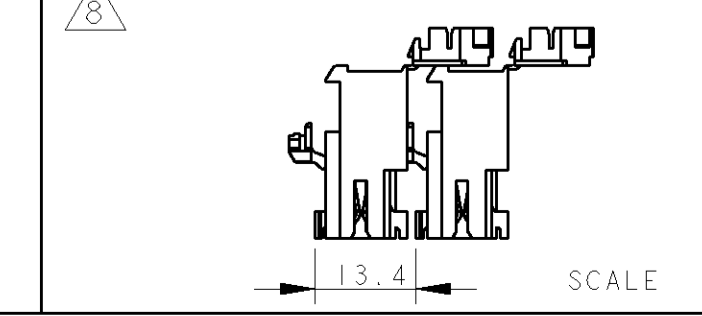
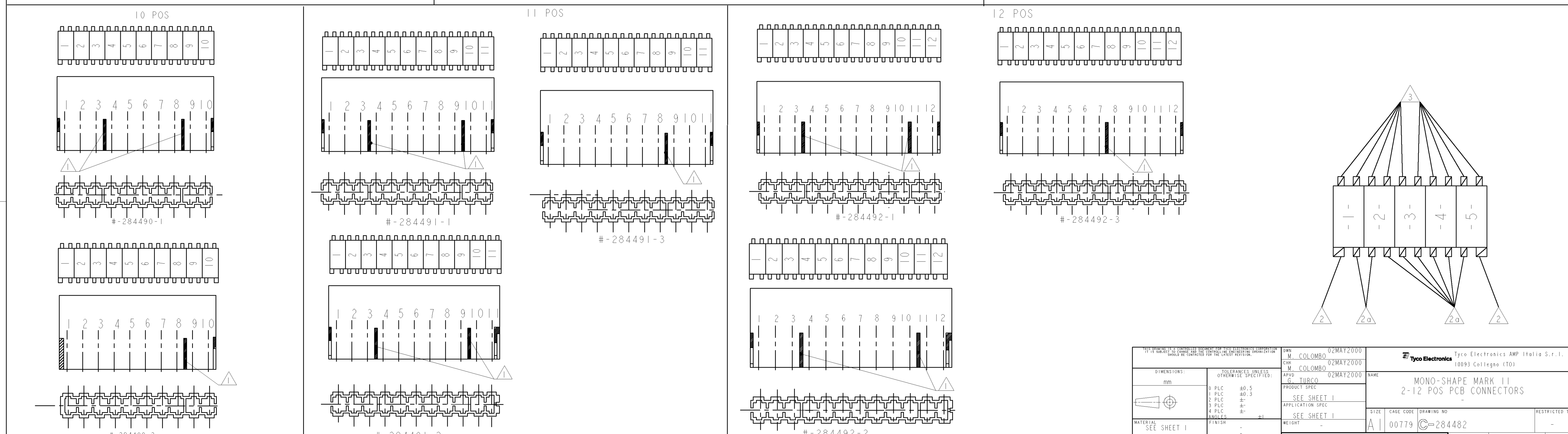
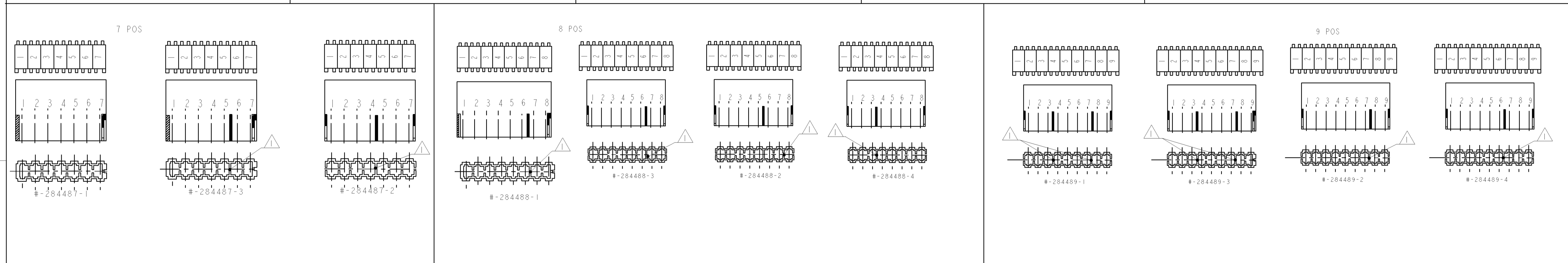
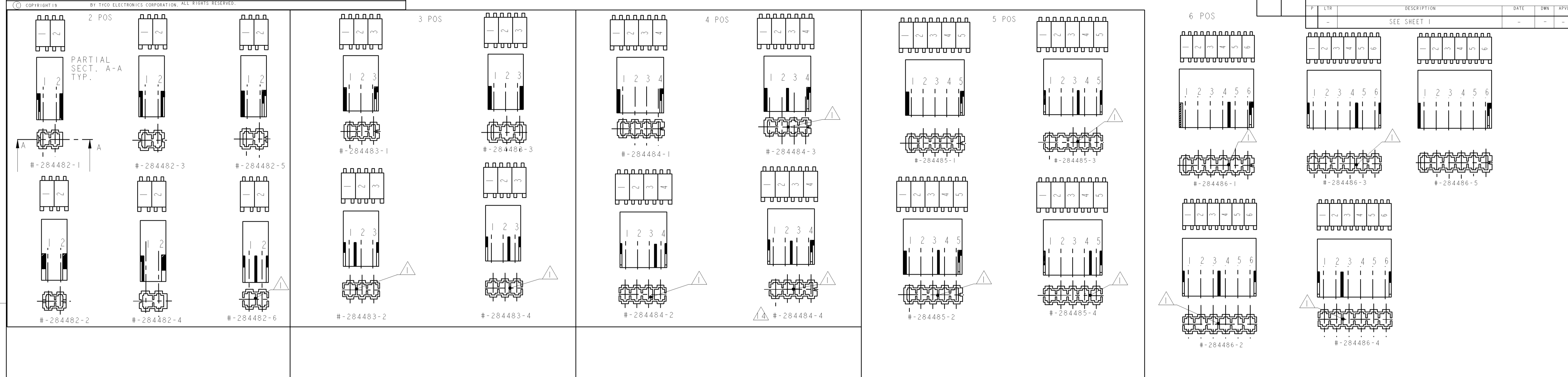


PART NUMBER #284482-1 AS SHOWN

PACKAGING: CONNECTOR STRIP

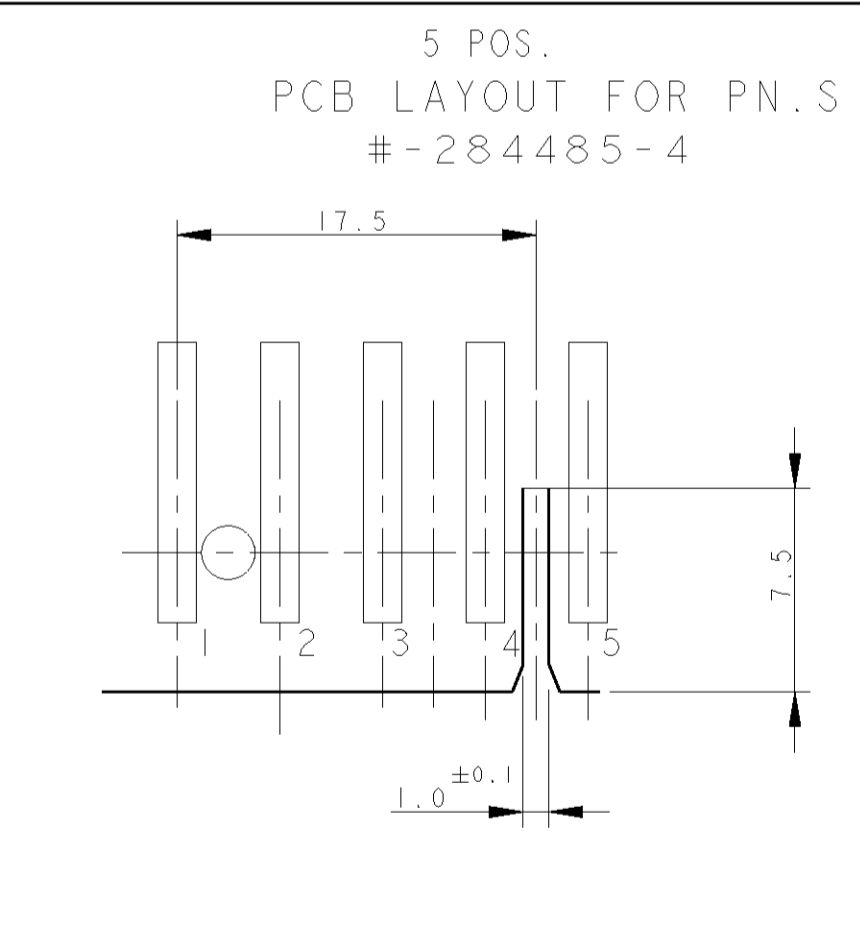
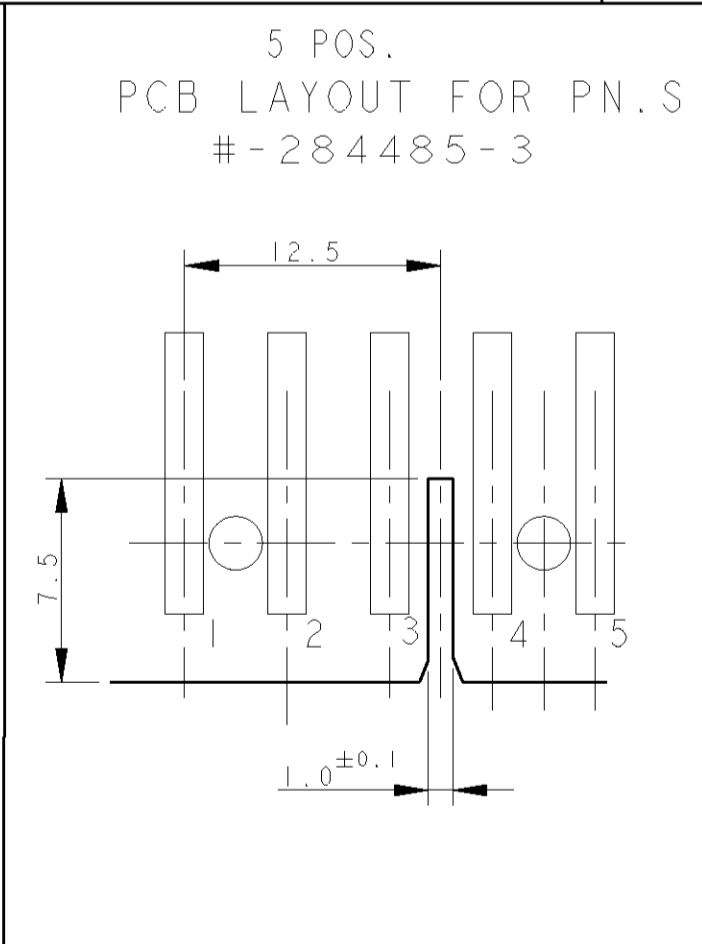
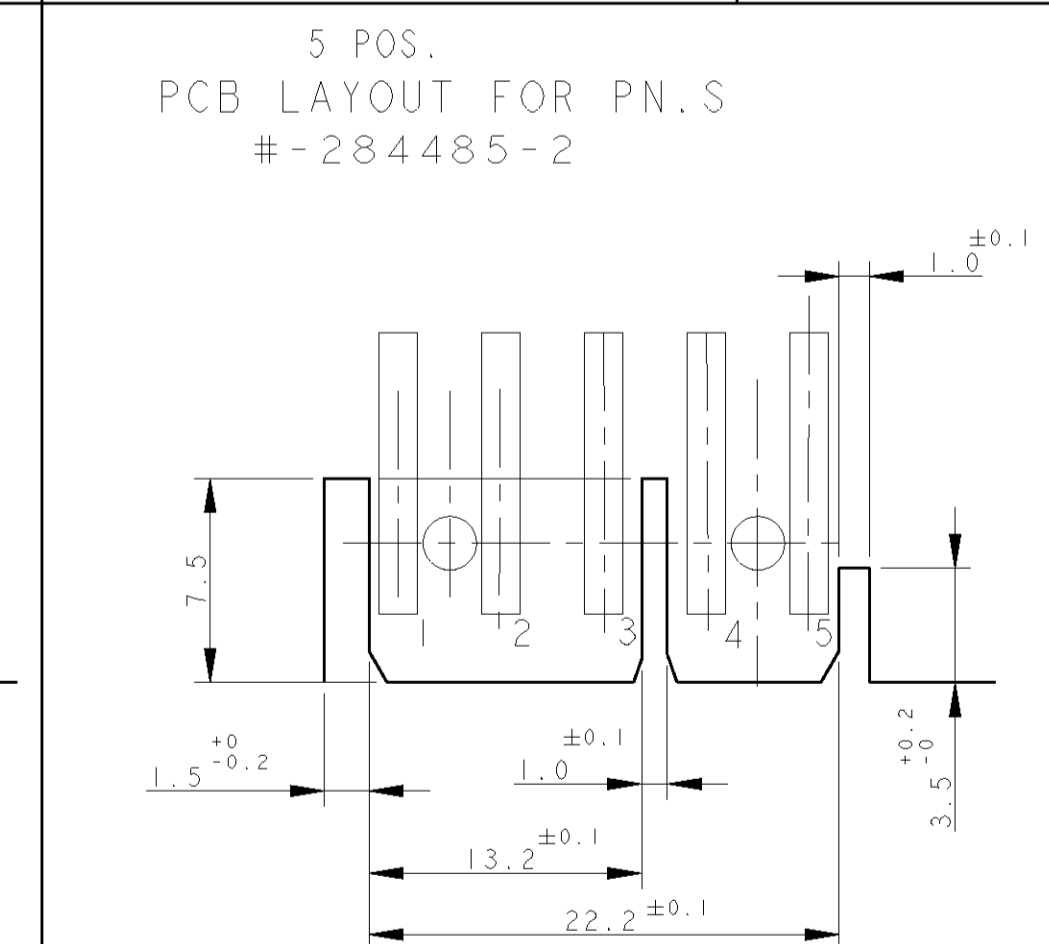
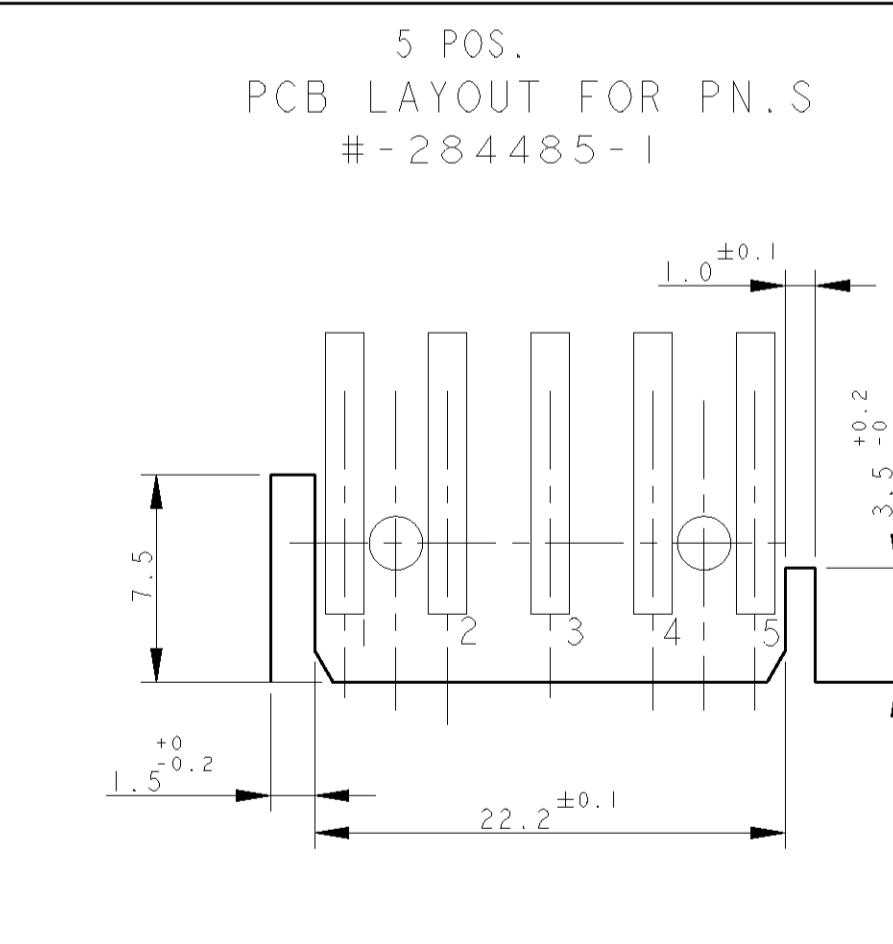
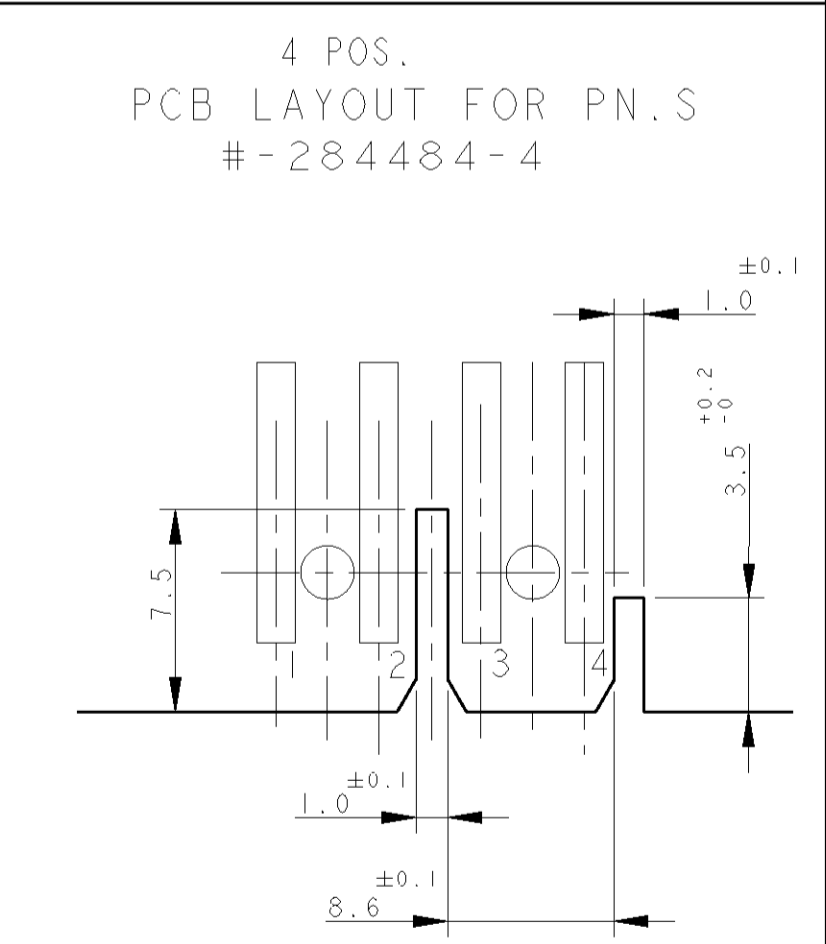
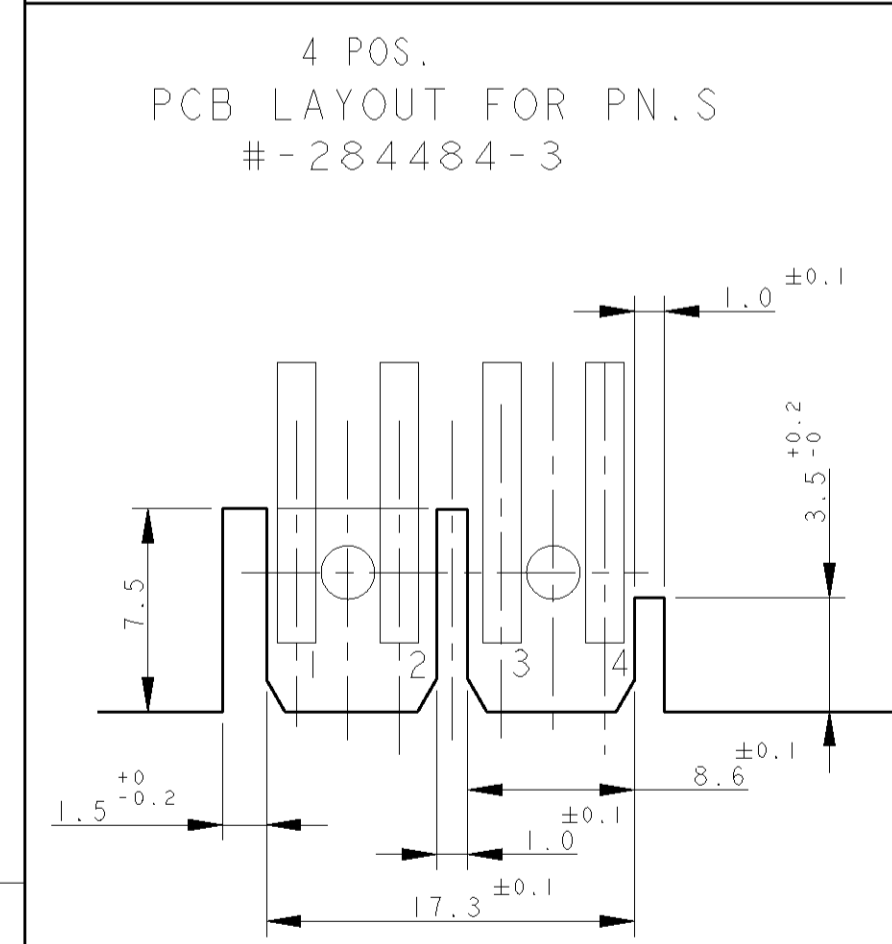
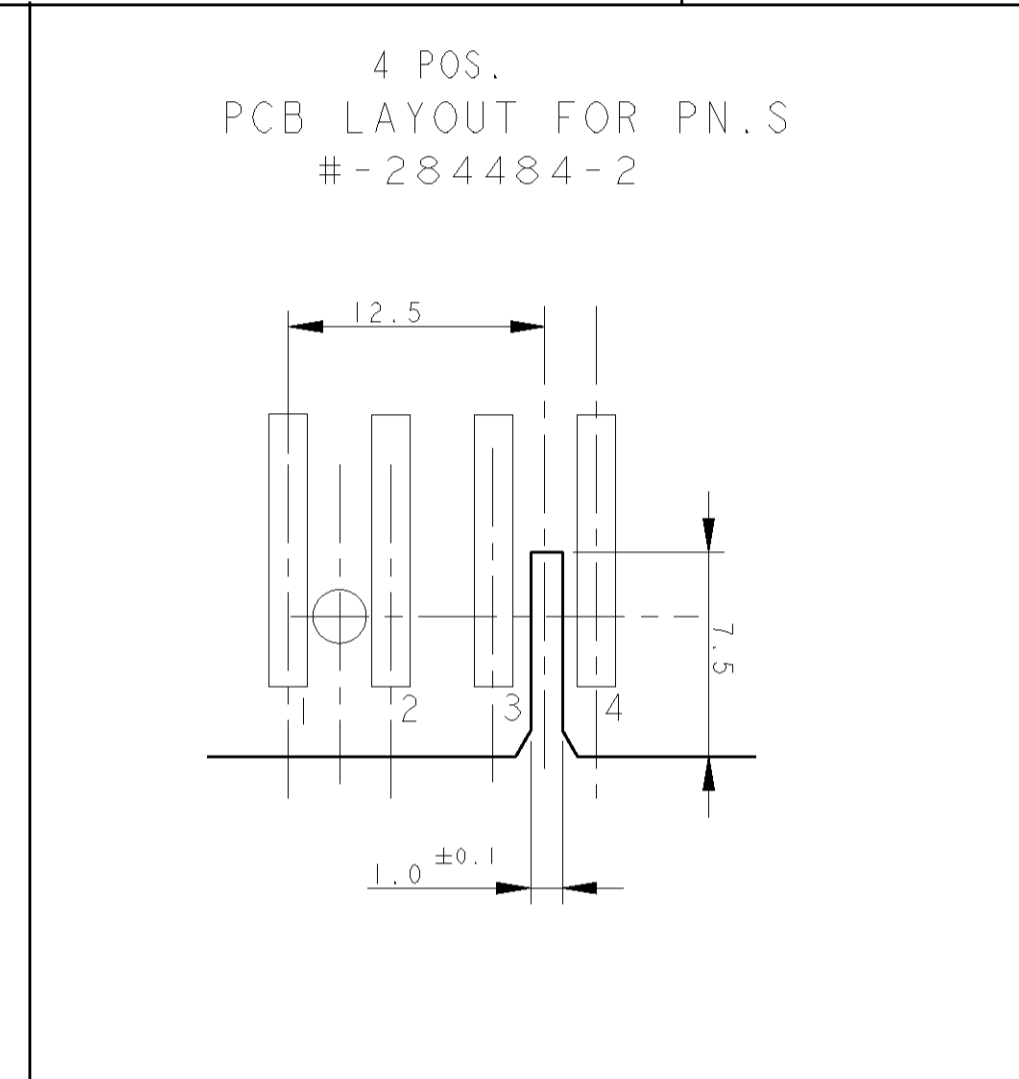
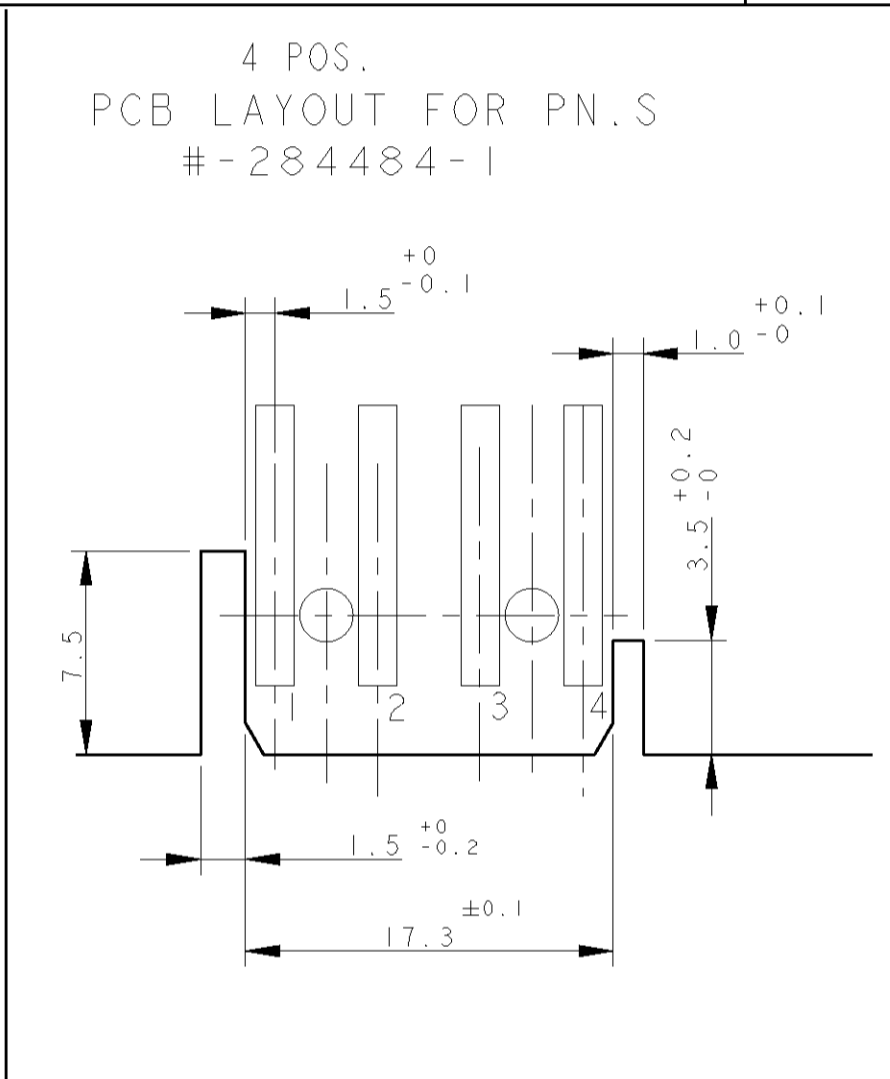
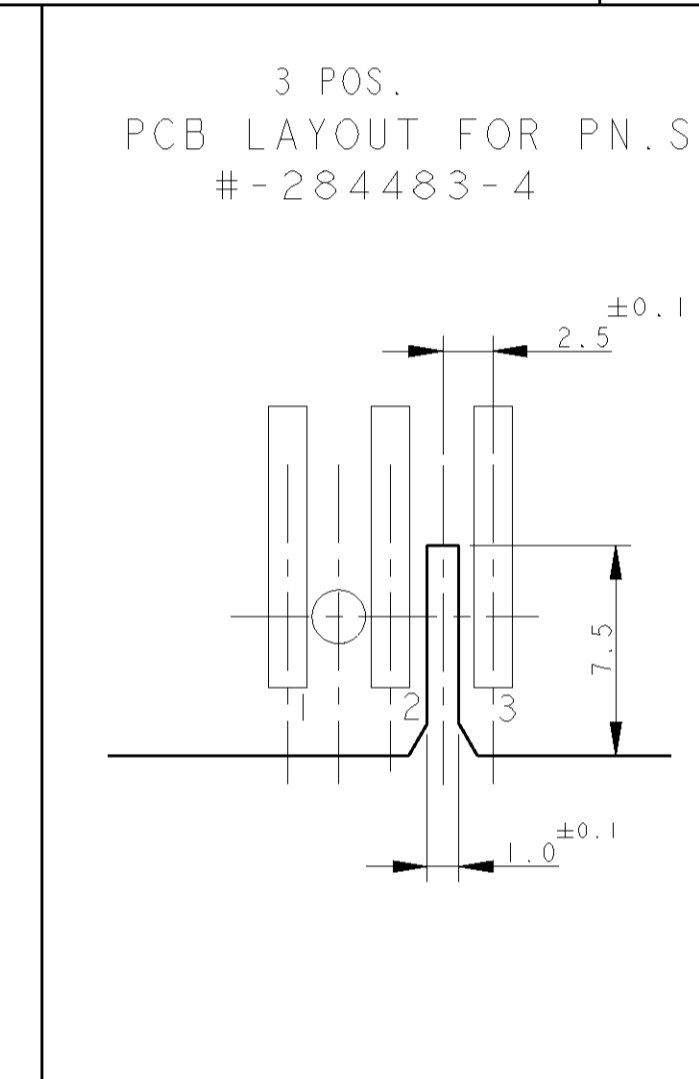
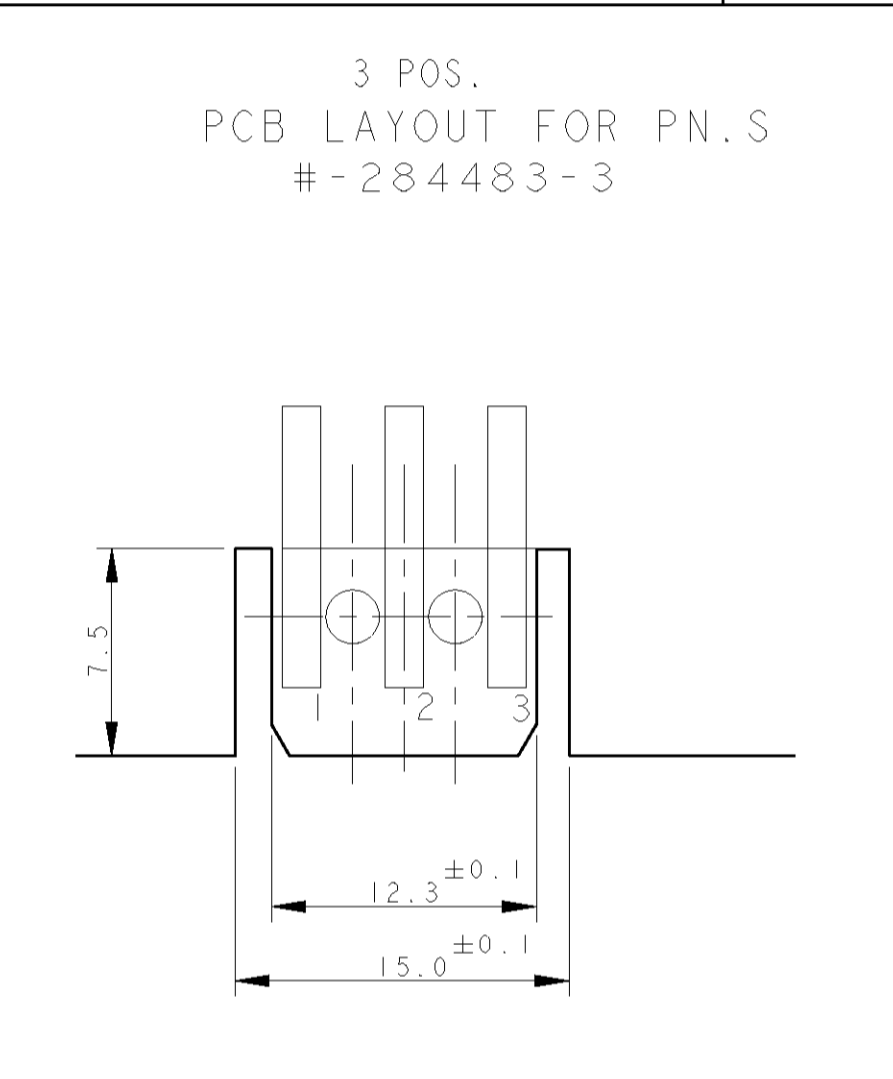
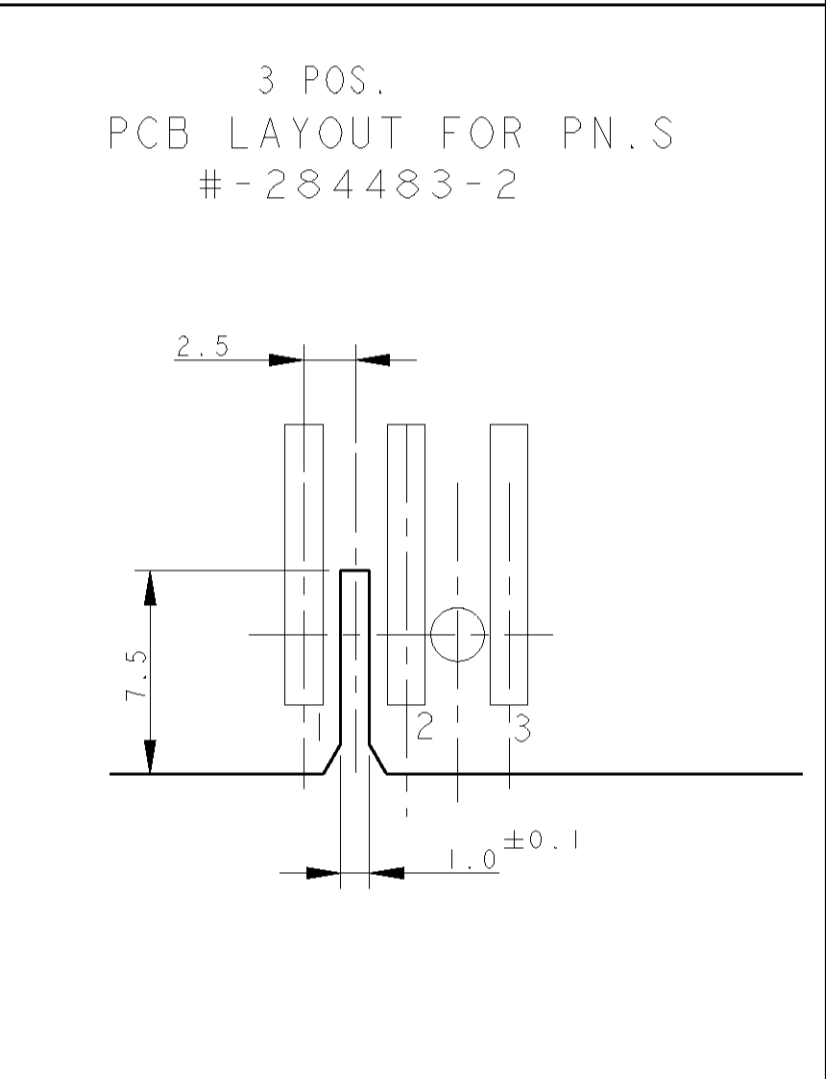
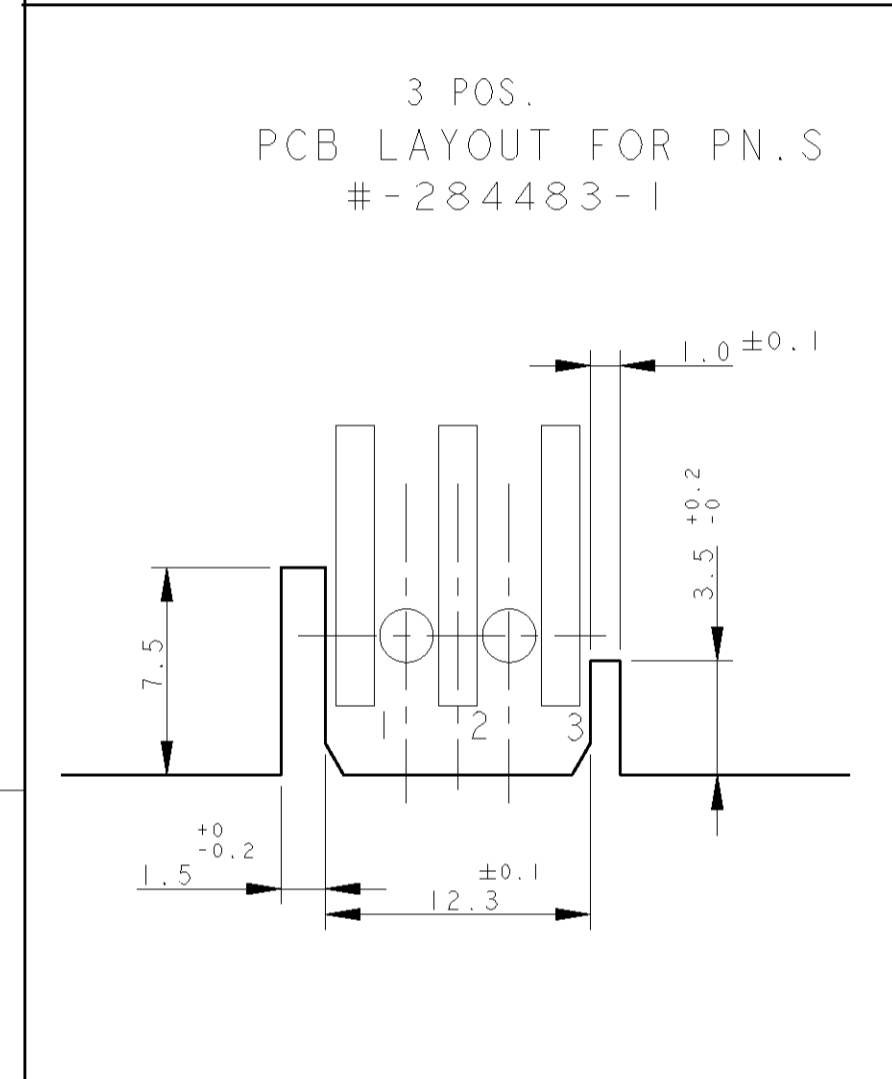
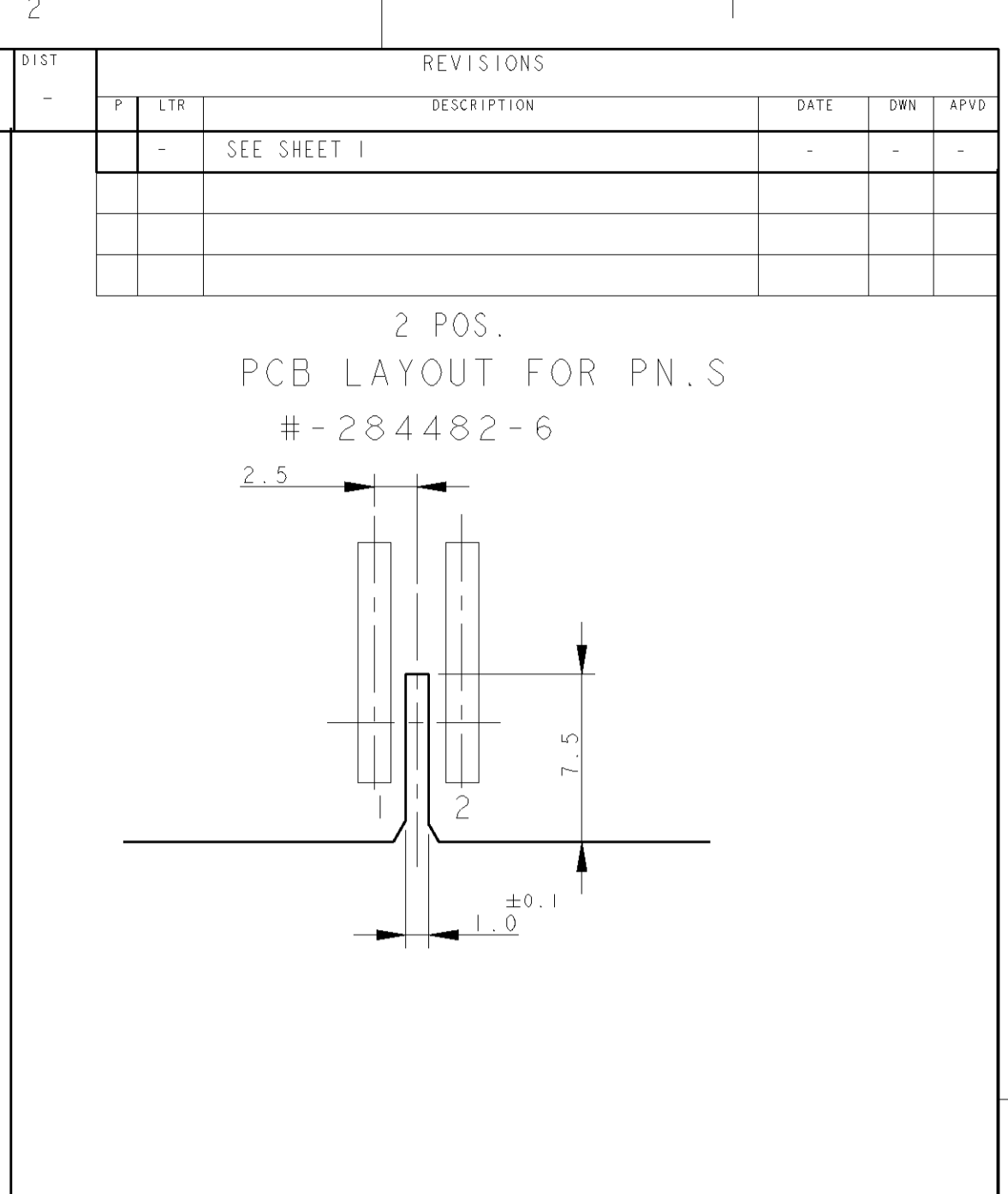
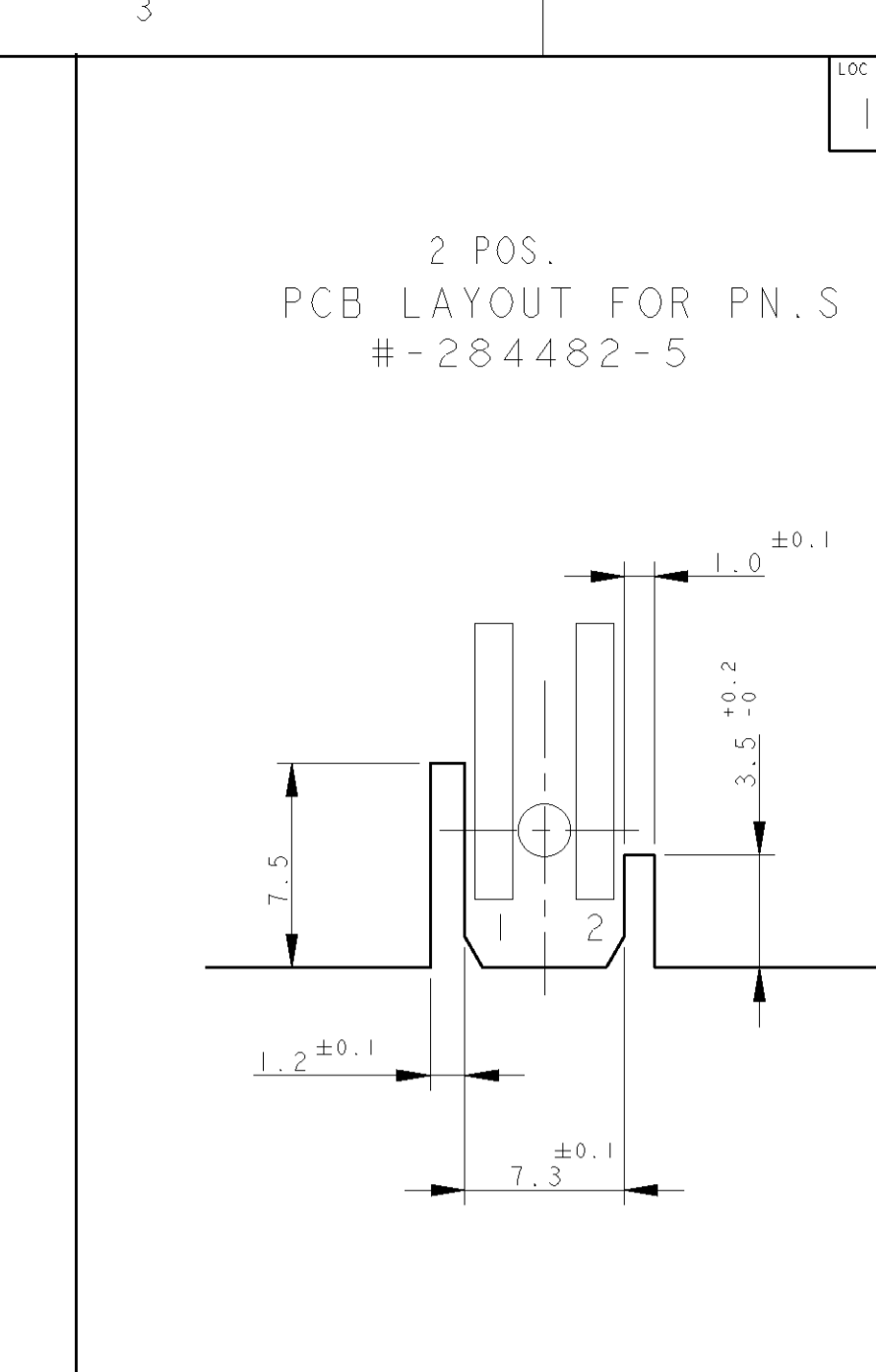
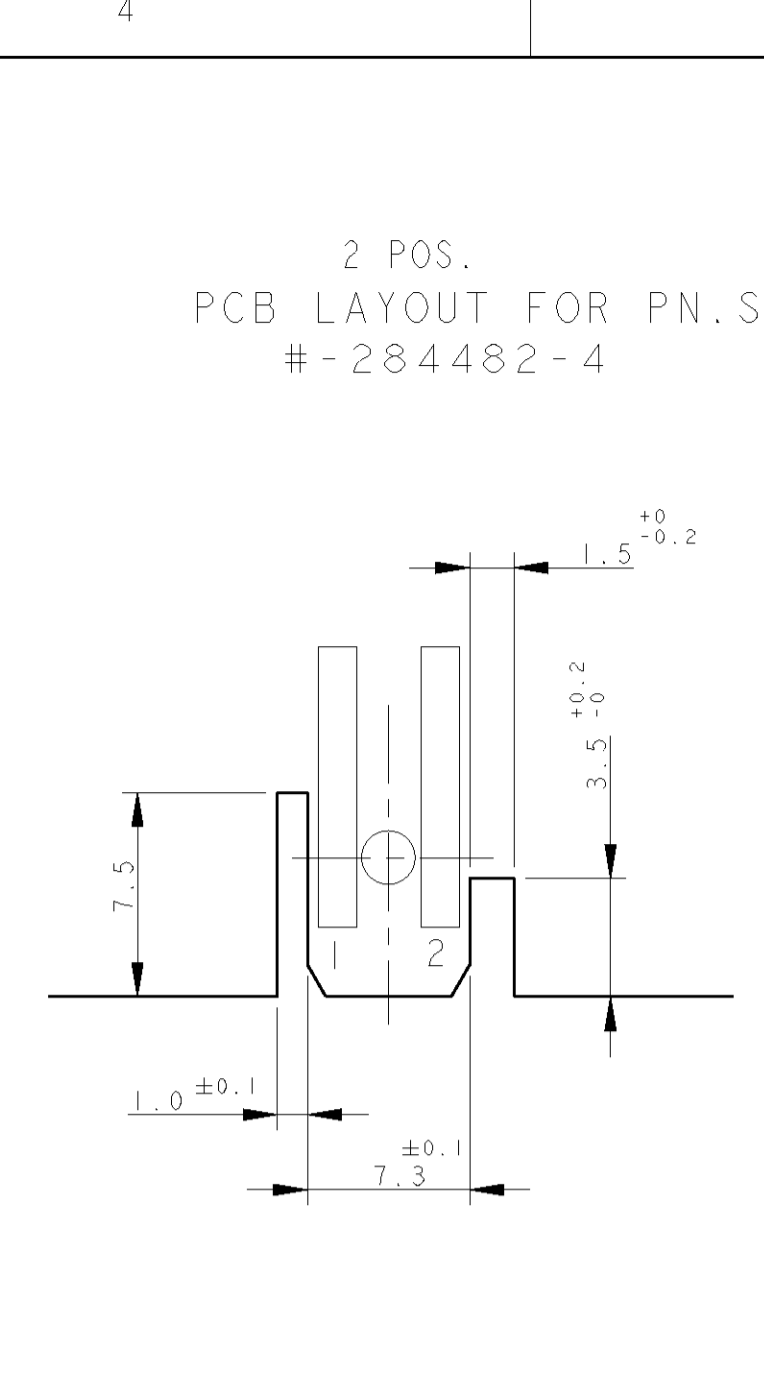
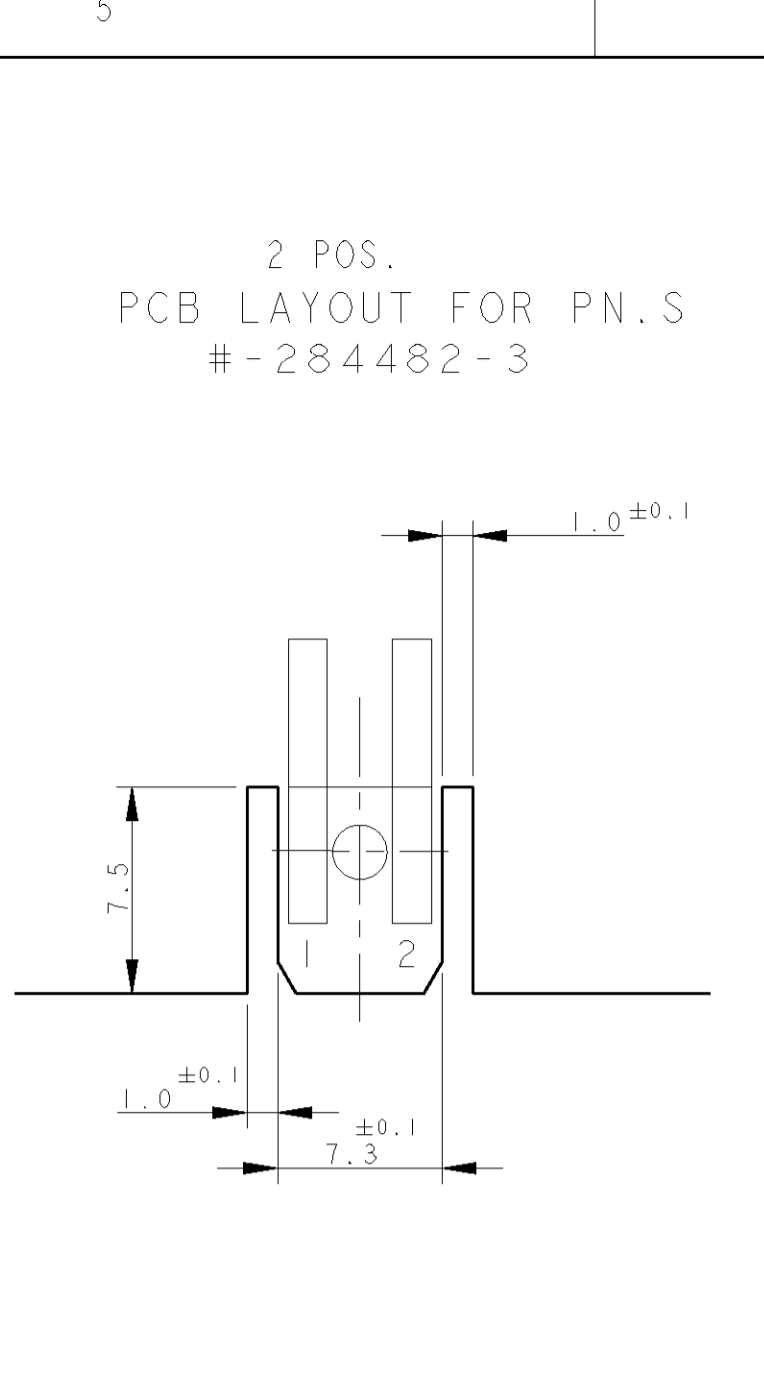
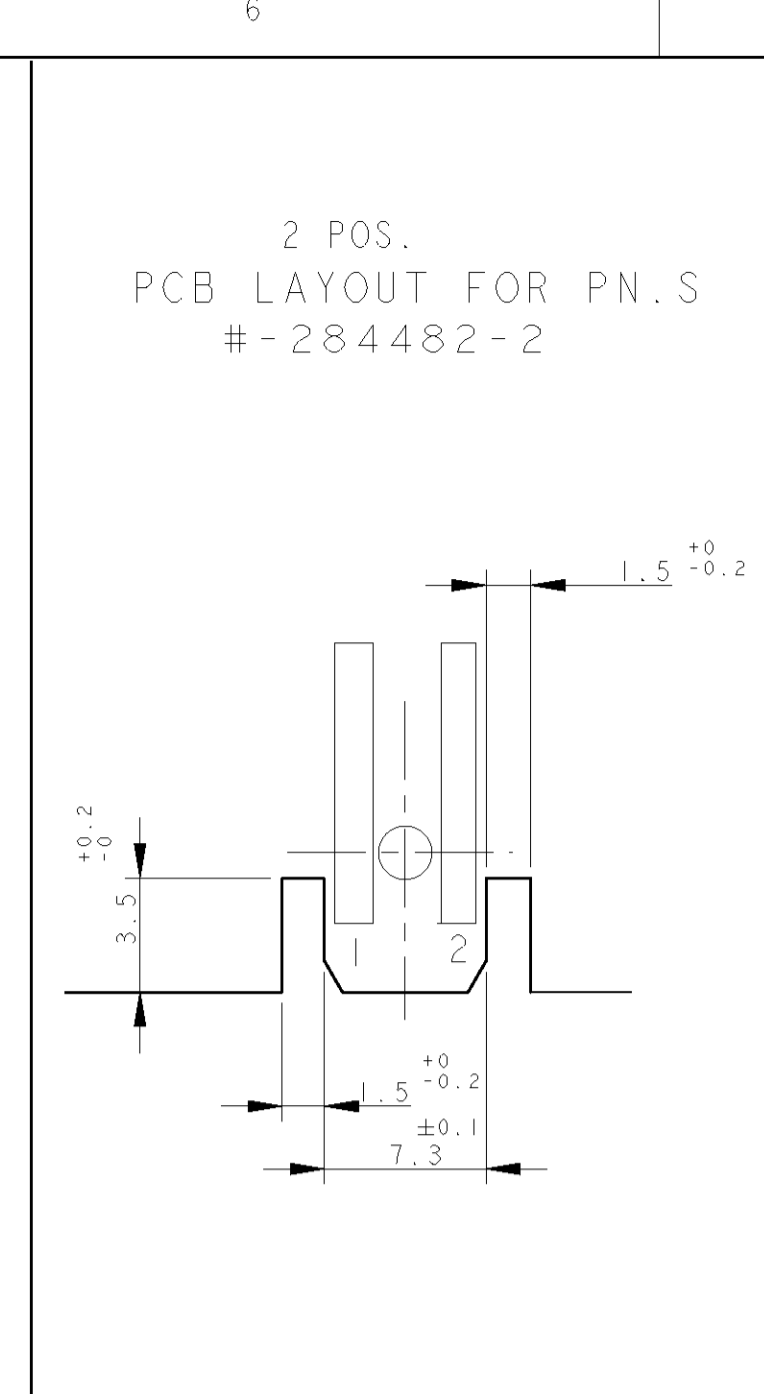
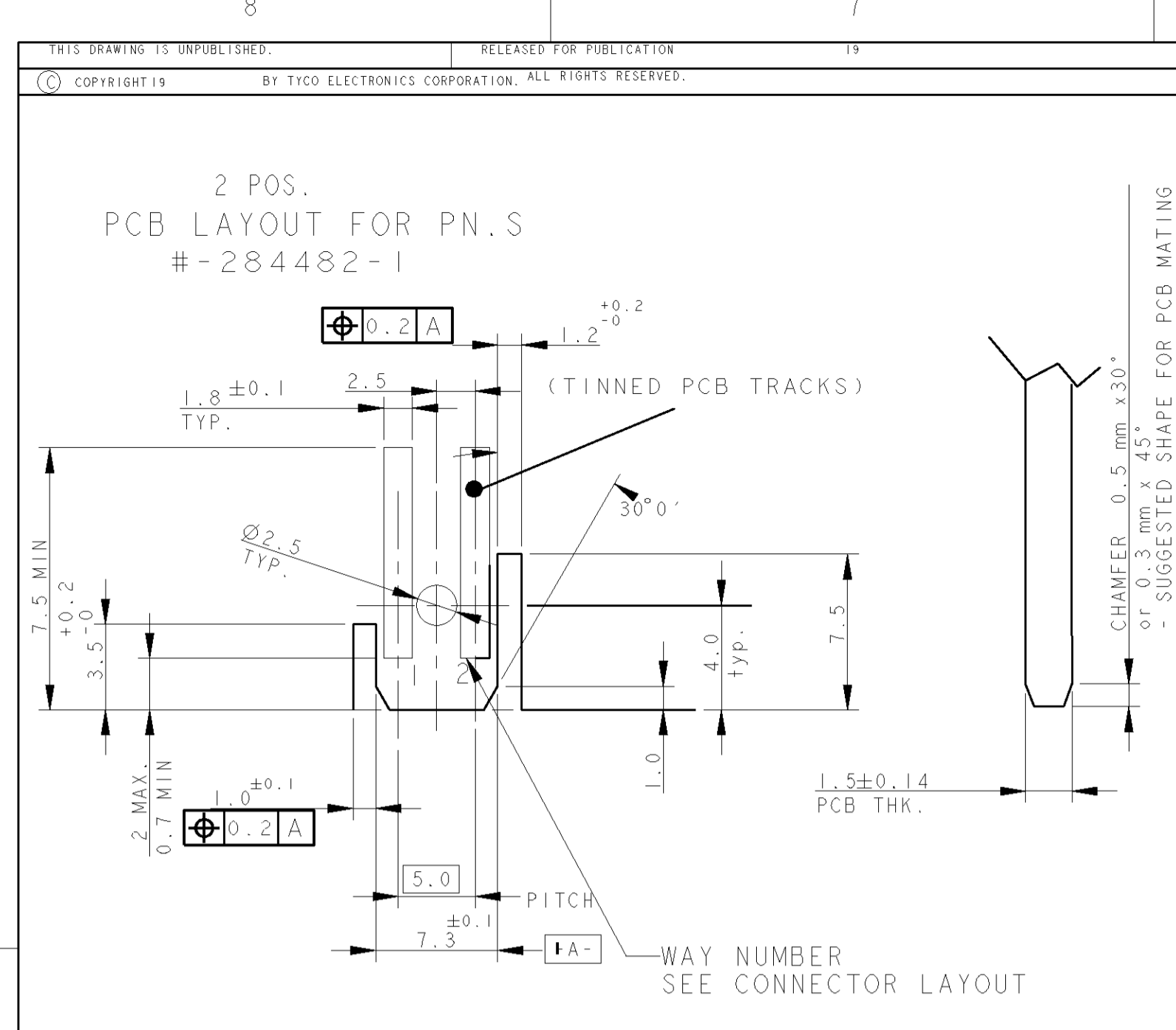


DIMENSIONS: mm 		TOLERANCES UNLESS OTHERWISE SPECIFIED: 0 PLC ±0.5 1 PLC ±0.3 2 PLC ±0.1 3 PLC ±0.1 4 PLC ±0.1 ANGLES ±0.1		DWN: C. CORDOLA DEC.2002 CHK: G. TURCO DEC.2002 APP'D: G. TURCO DEC.2002 NAME: MONO-SHAPE MARK II 2-12 POS PCB CONNECTORS	
MATERIAL: FINISH:		PRODUCT SPEC: 108-20214 APPLICATION SPEC: 114-20104		Tyco Electronics Tyco Electronics AMP Italia S.r.l. C.so F.lli Cervi 15 Collegno (TO)	
WEIGHT:		CUSTOMER DRAWING:		SIZE: A1 CAGE CODE: 00779 DRAWING NO: C-284482	
SCALE: NO		SHEET: 1 OF 6		REV: E1	



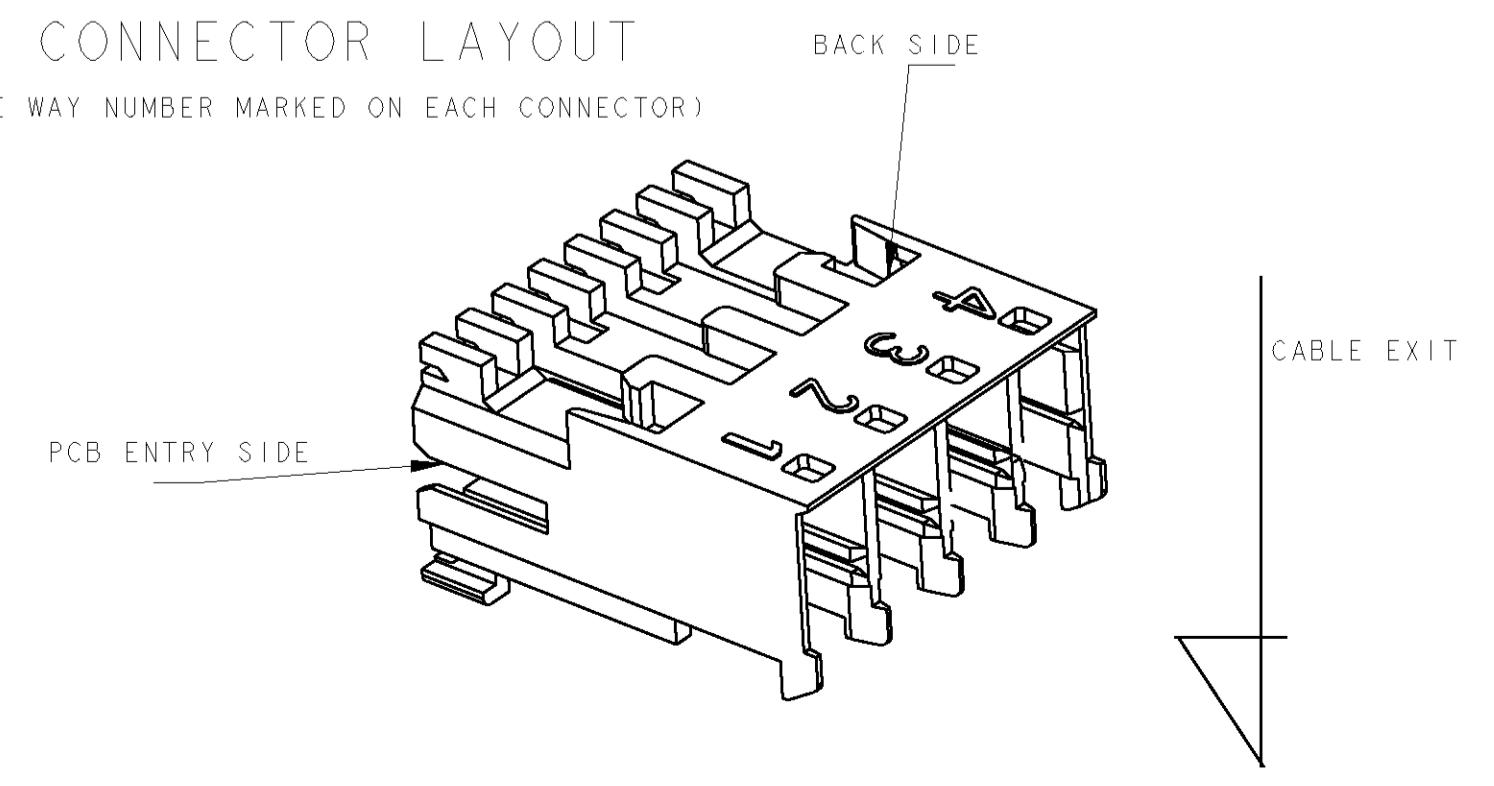
LOC	DISC	REV	DESCRIPTION	DATE	DWN	APVD
			SEE SHEET 1			

DIMENSIONS: mm 		TOLERANCES UNLESS OTHERWISE SPECIFIED: 9 PLC ±0.5 1 PLC ±0.3 3 PLC ±0.1 4 PLC ±0.1 ANGLES ±0.1		DWN: M. COLOMBO 02MAY2000 CHK: M. COLOMBO 02MAY2000 APVD: S. TURCO 02MAY2000 PRODUCT SPEC: SEE SHEET 1 APPLICATION SPEC: SEE SHEET 1 WEIGHT: - CUSTOMER DRAWING:		Tyco Electronics Tyco Electronics AMP Italia S.r.l. 10093 Collegno (TO) MONO-SHAPE MARK II 2-12 POS PCB CONNECTORS SIZE: A1 CAGE CODE: 00779 DRAWING NO: C=284482 SCALE: NO SHEET: 2 OF 6 REV: E1	
-----------------------	--	---	--	--	--	---	--



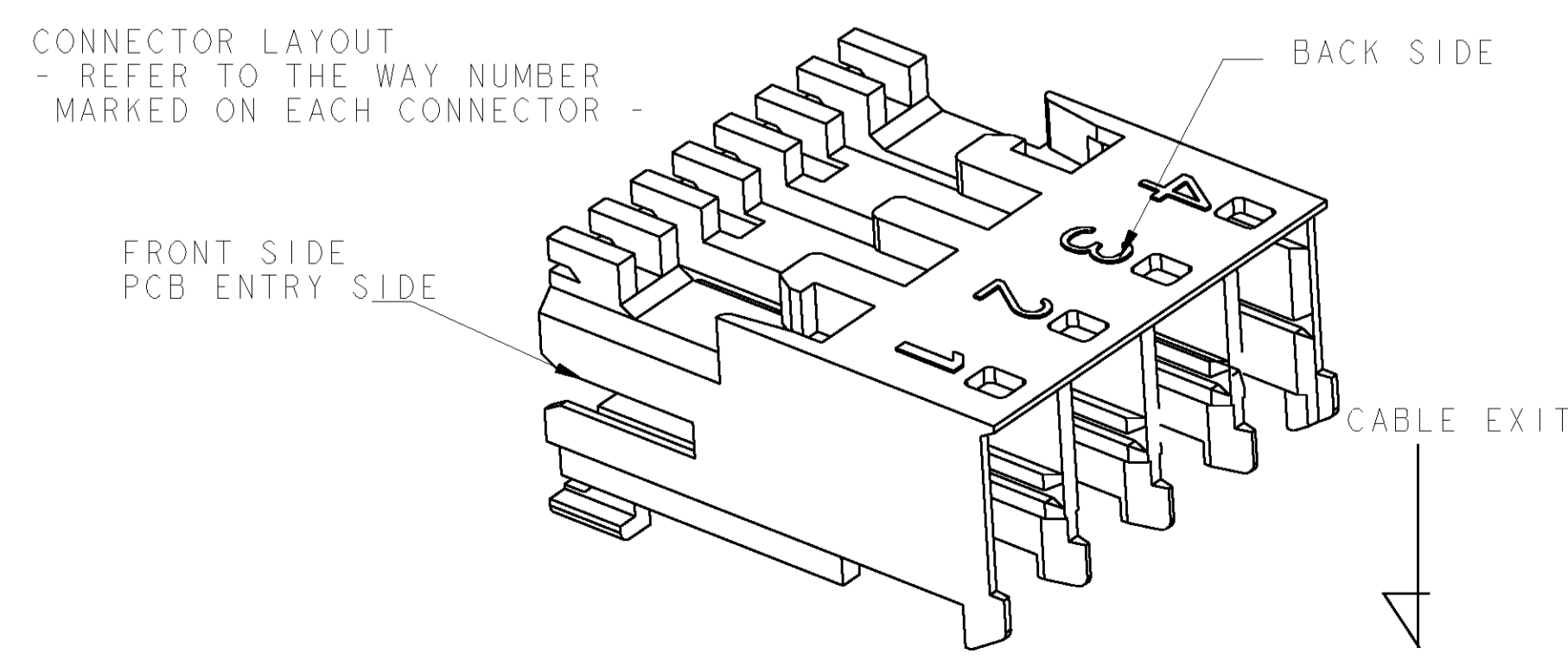
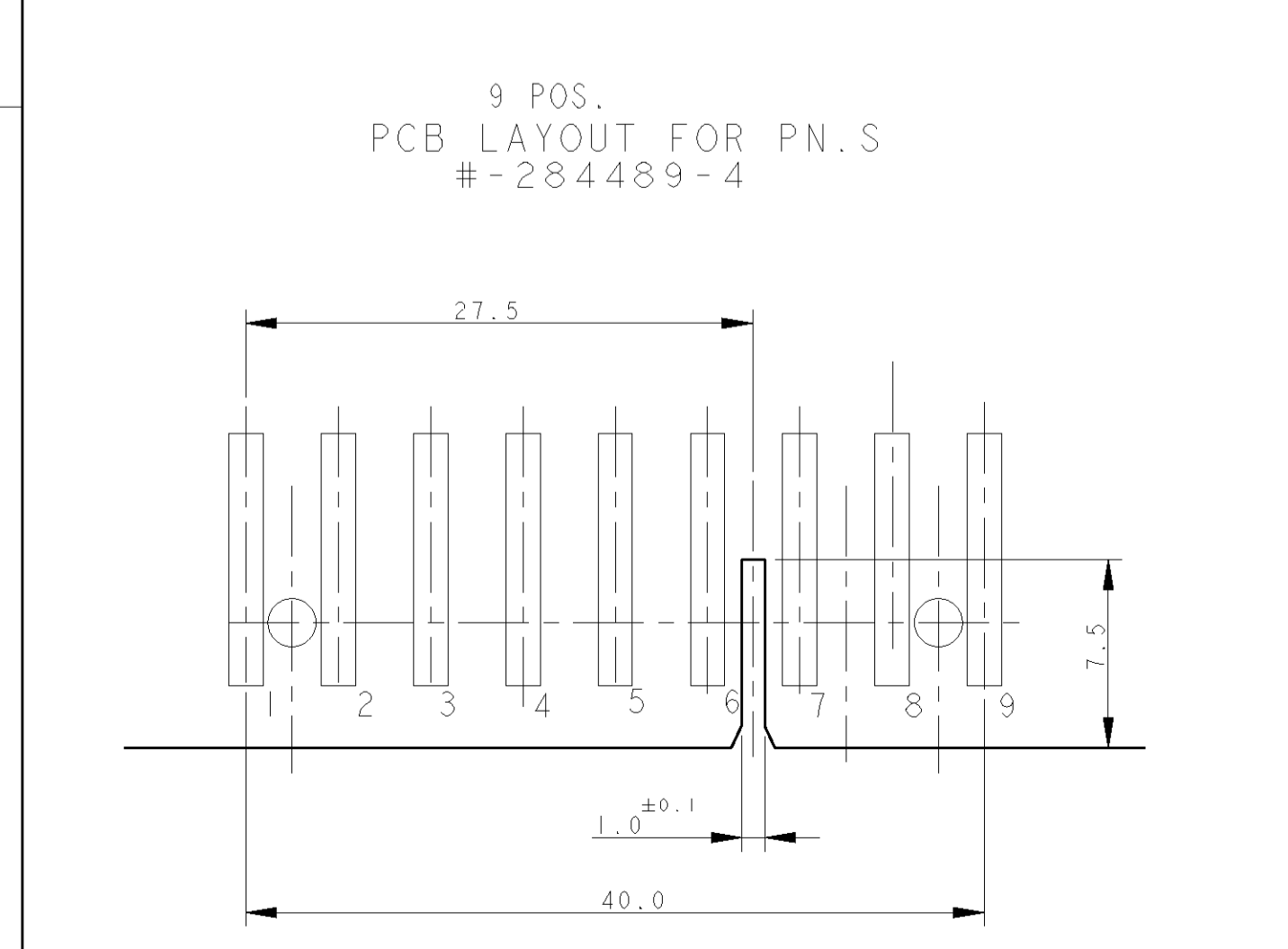
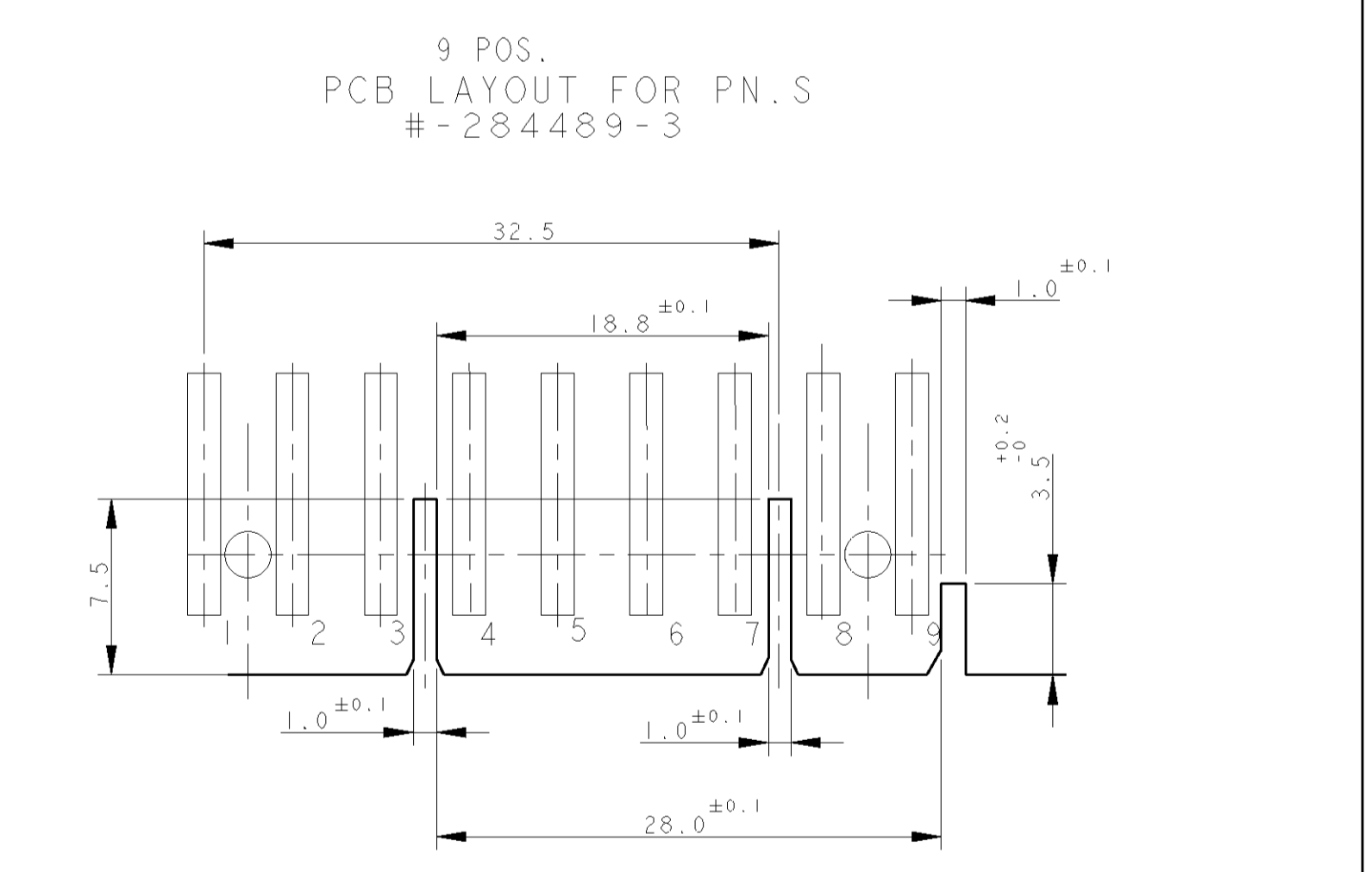
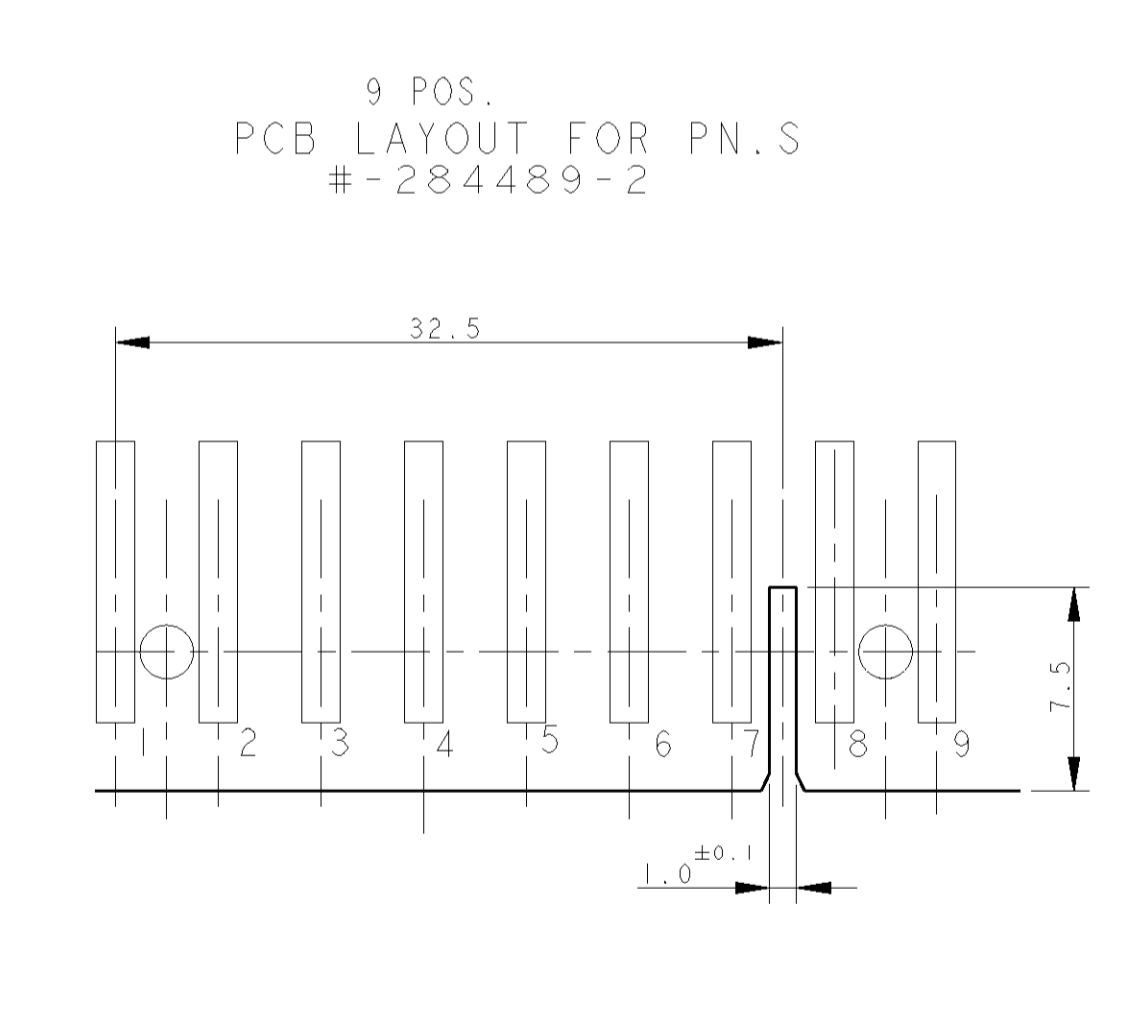
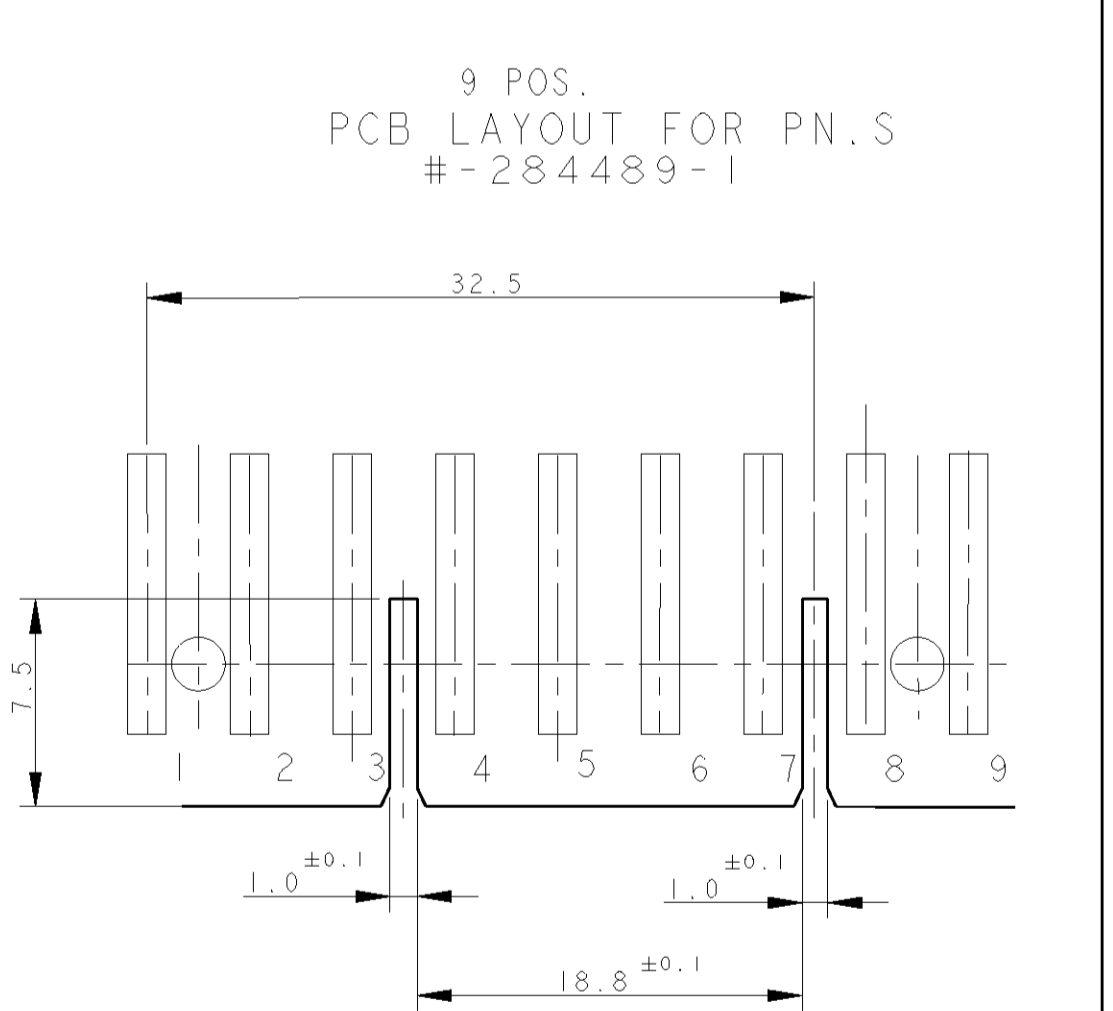
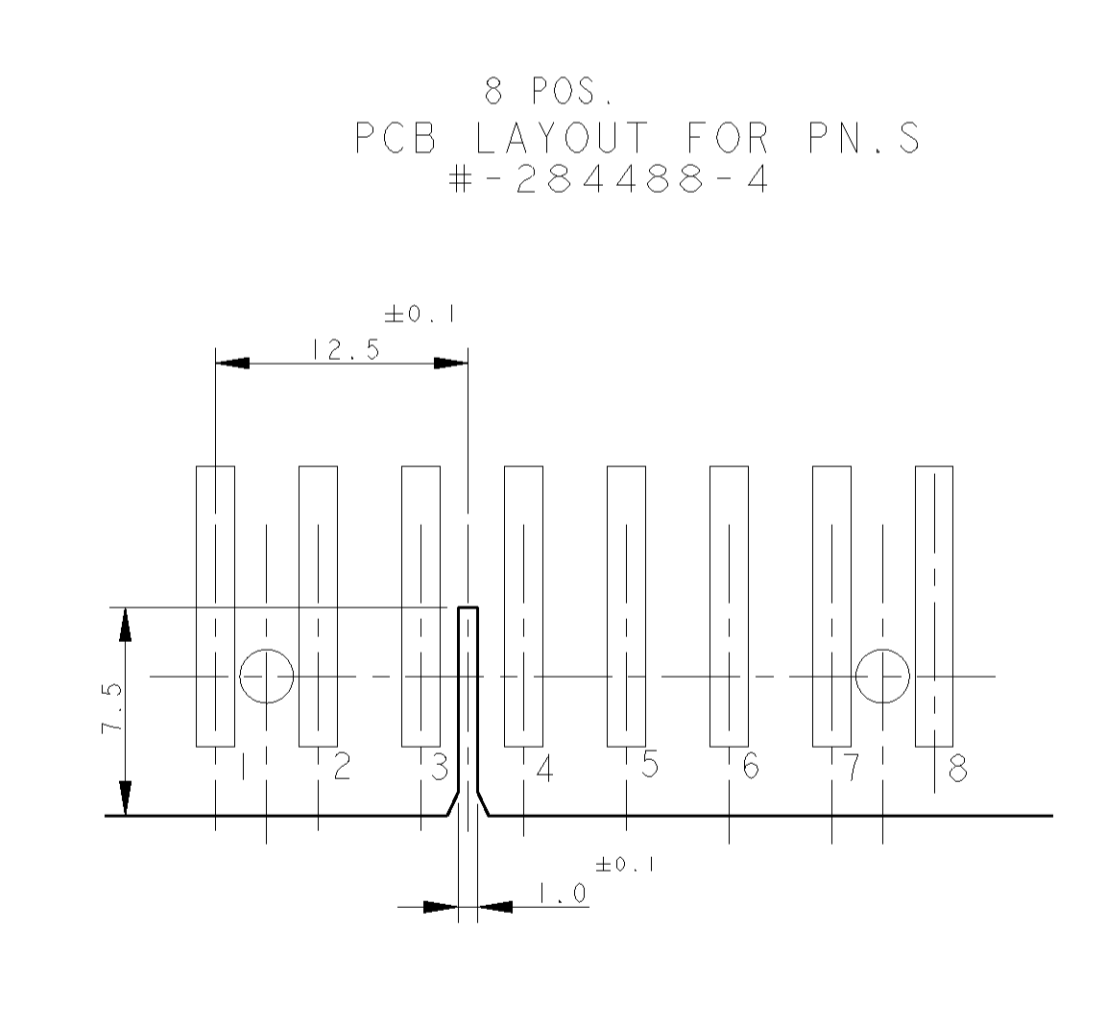
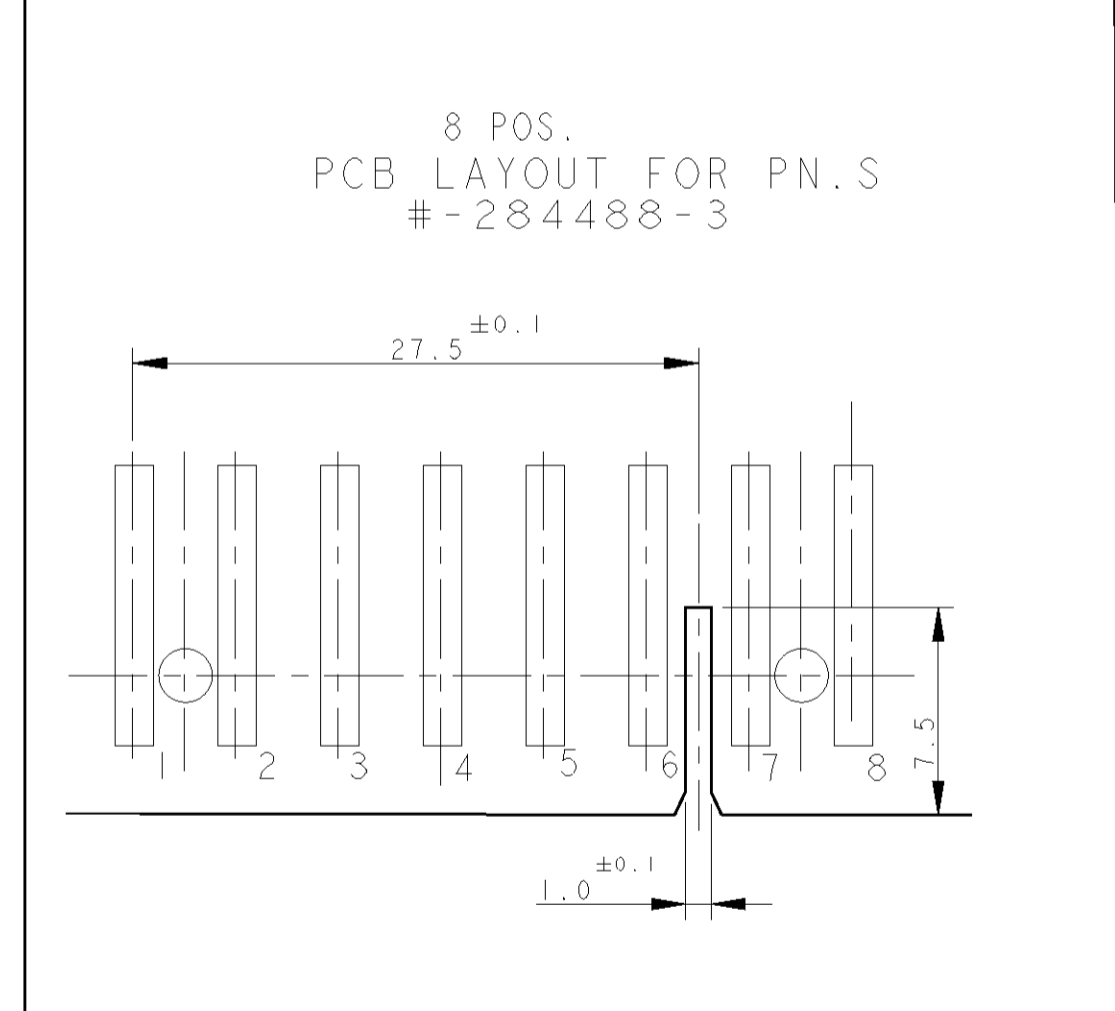
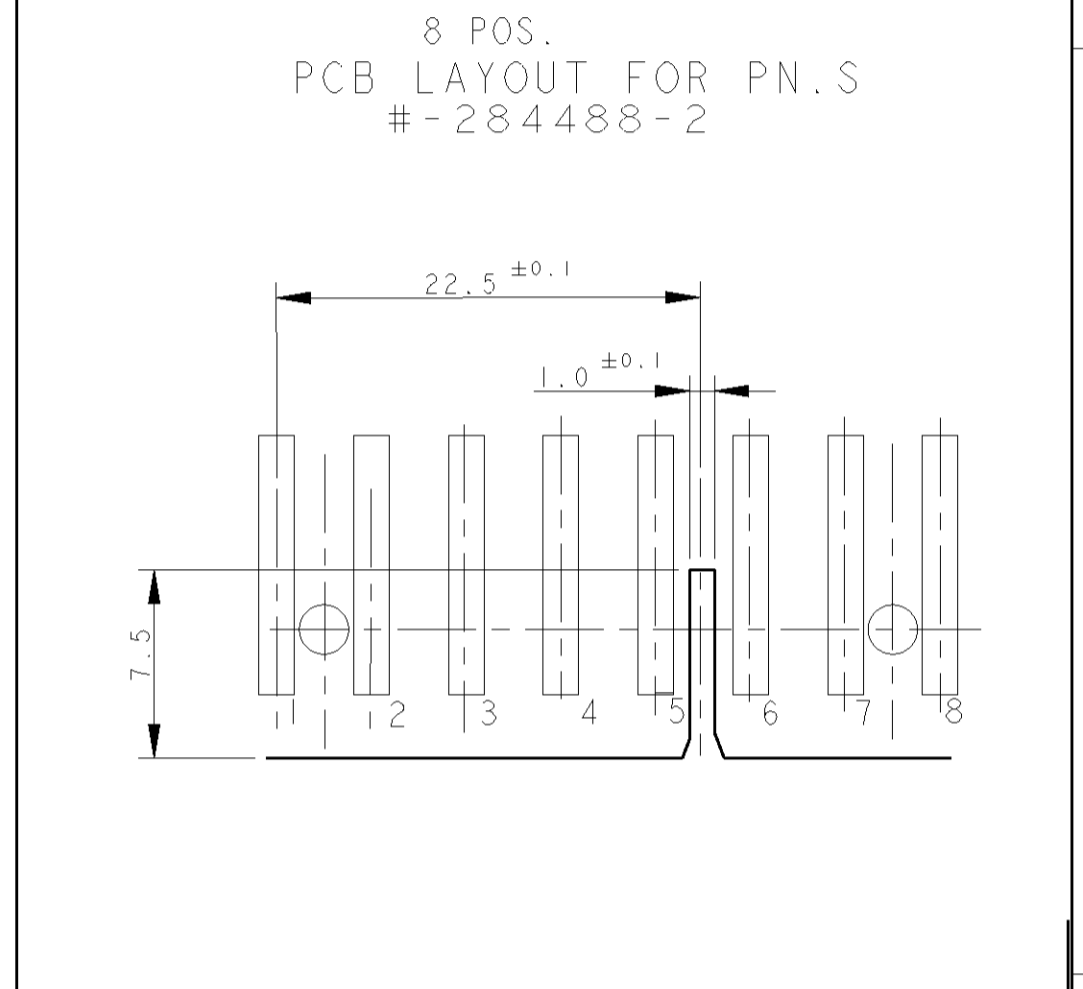
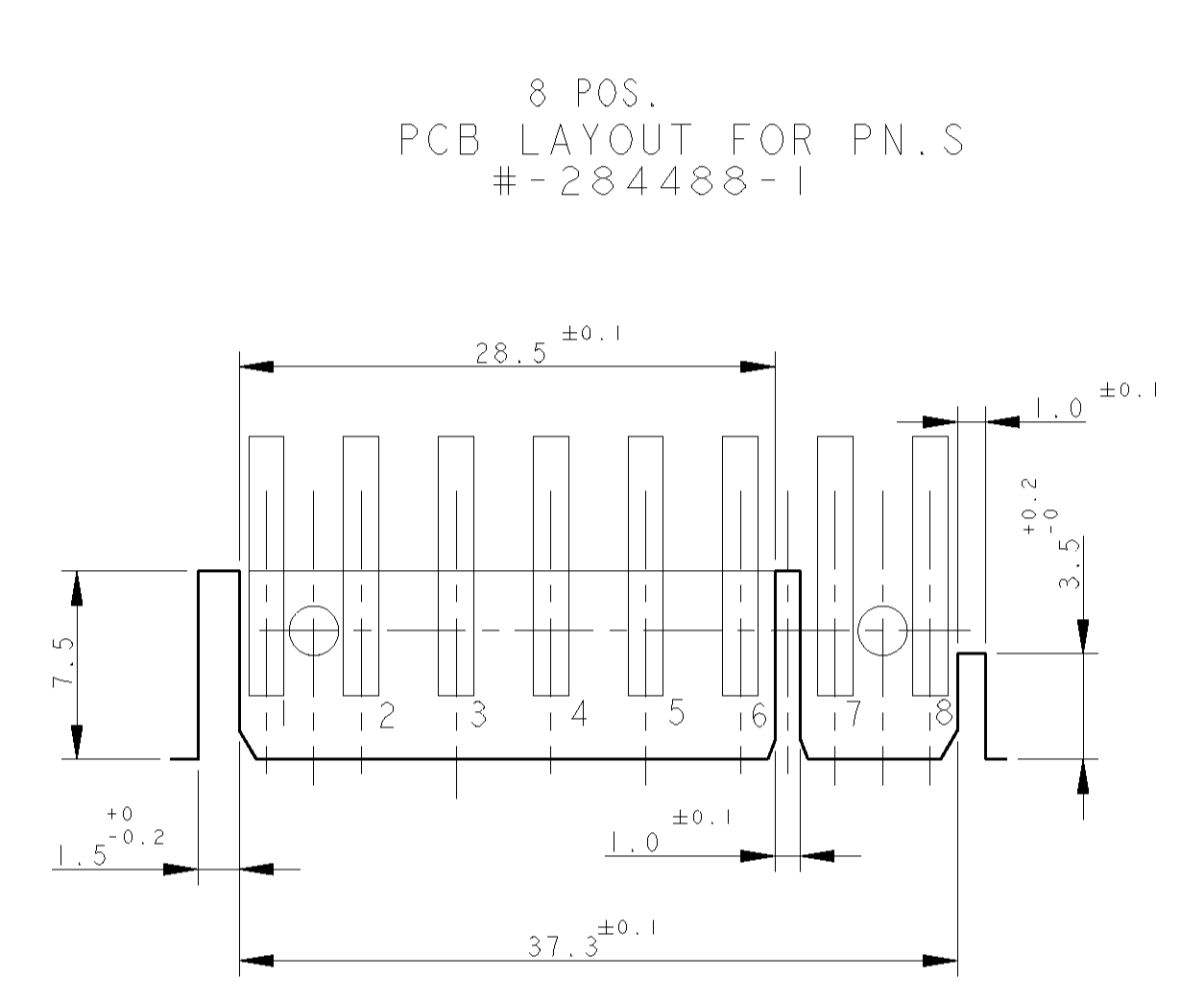
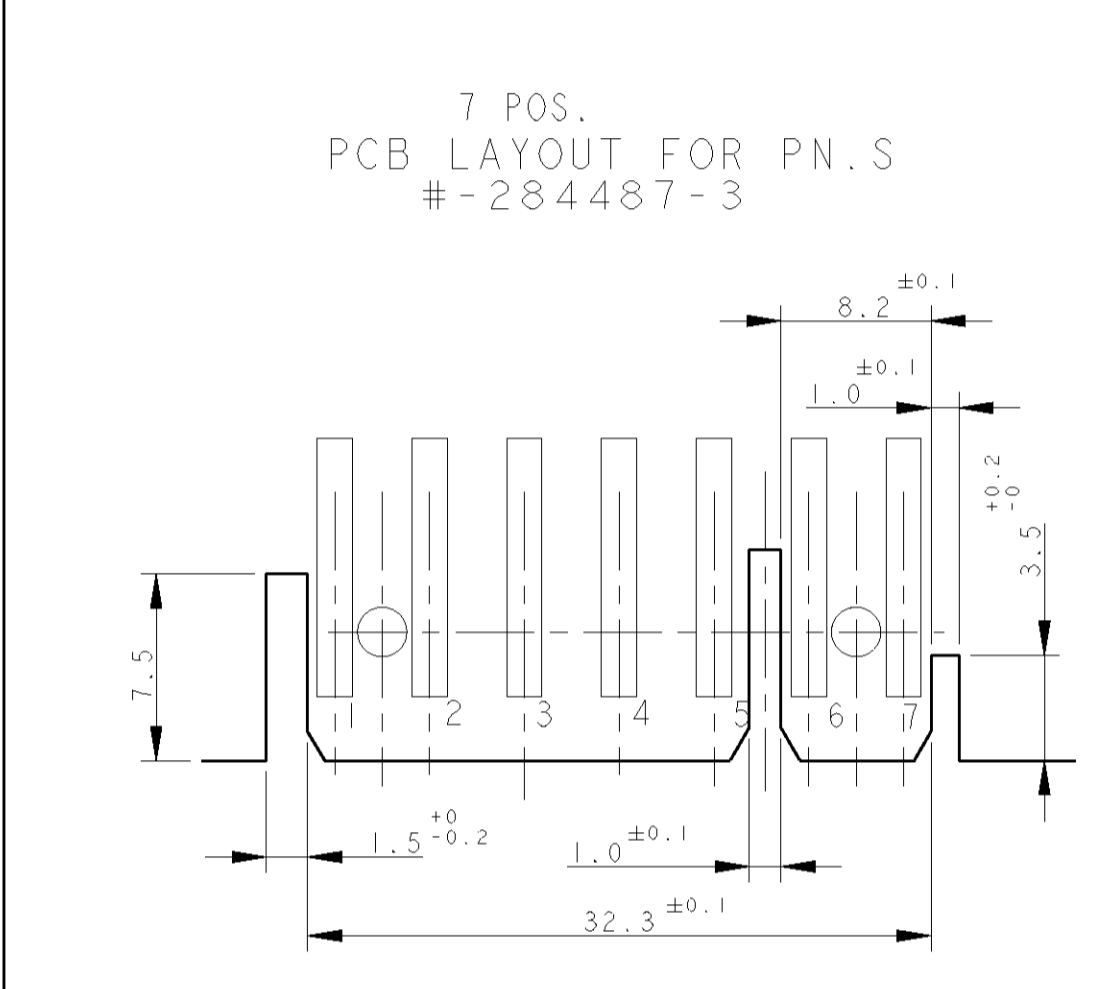
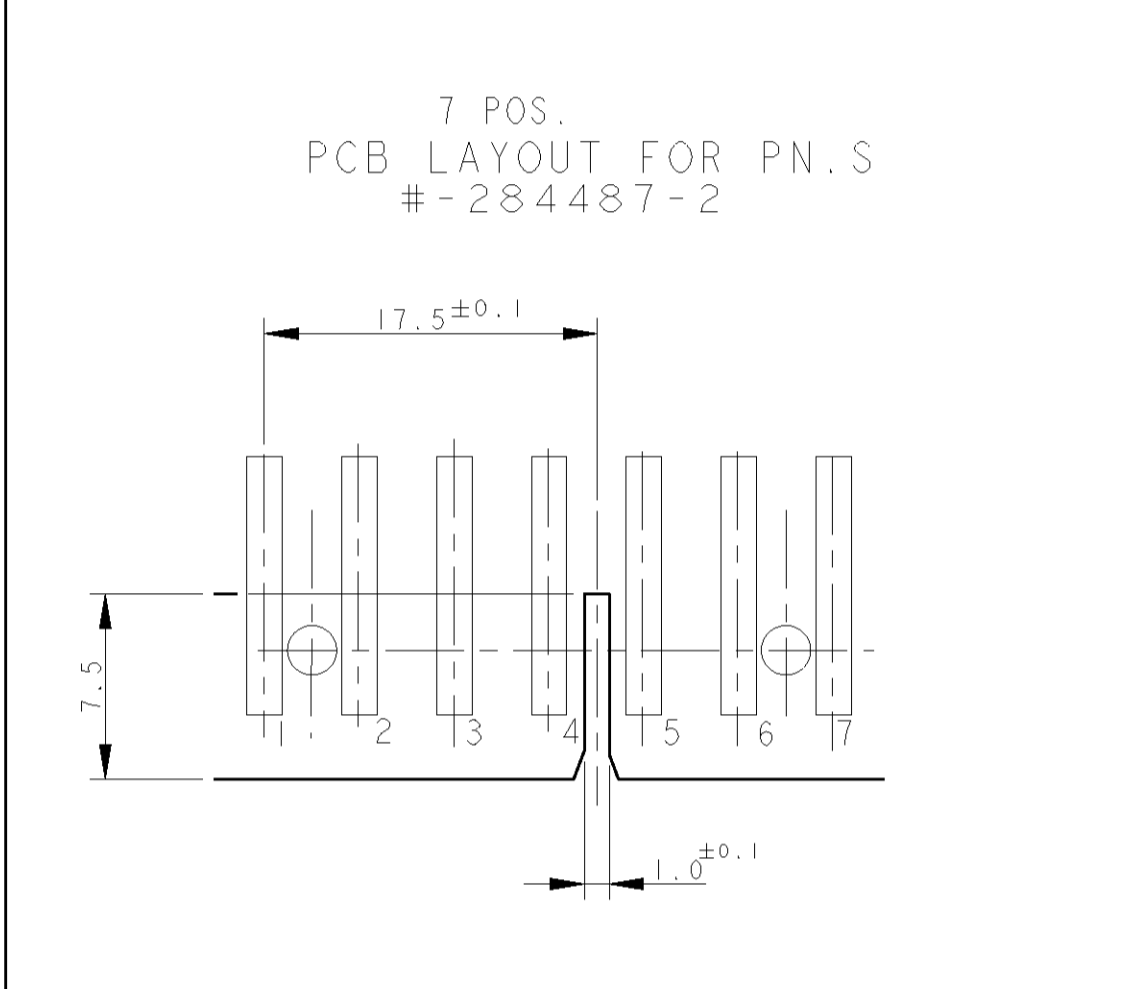
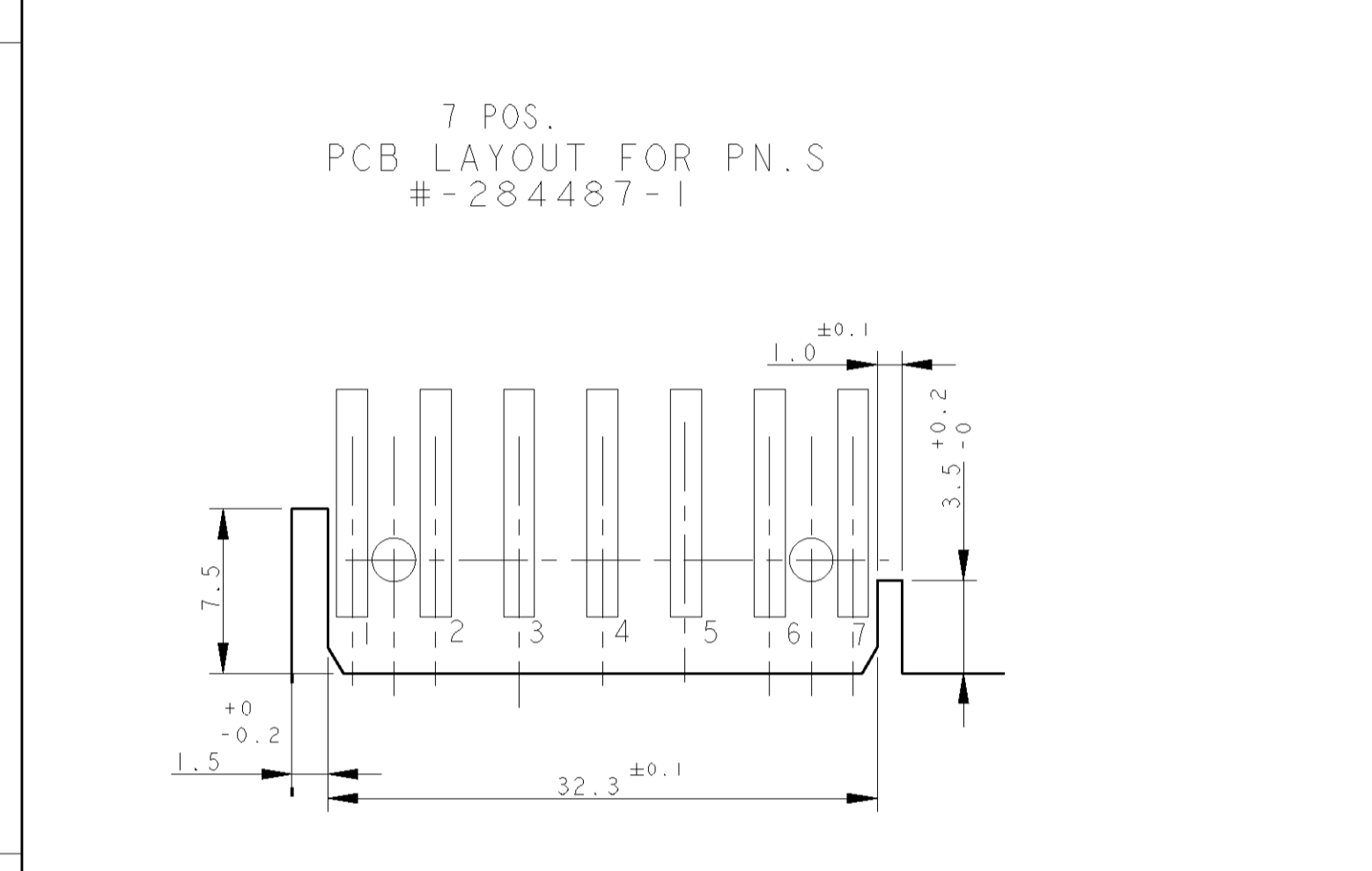
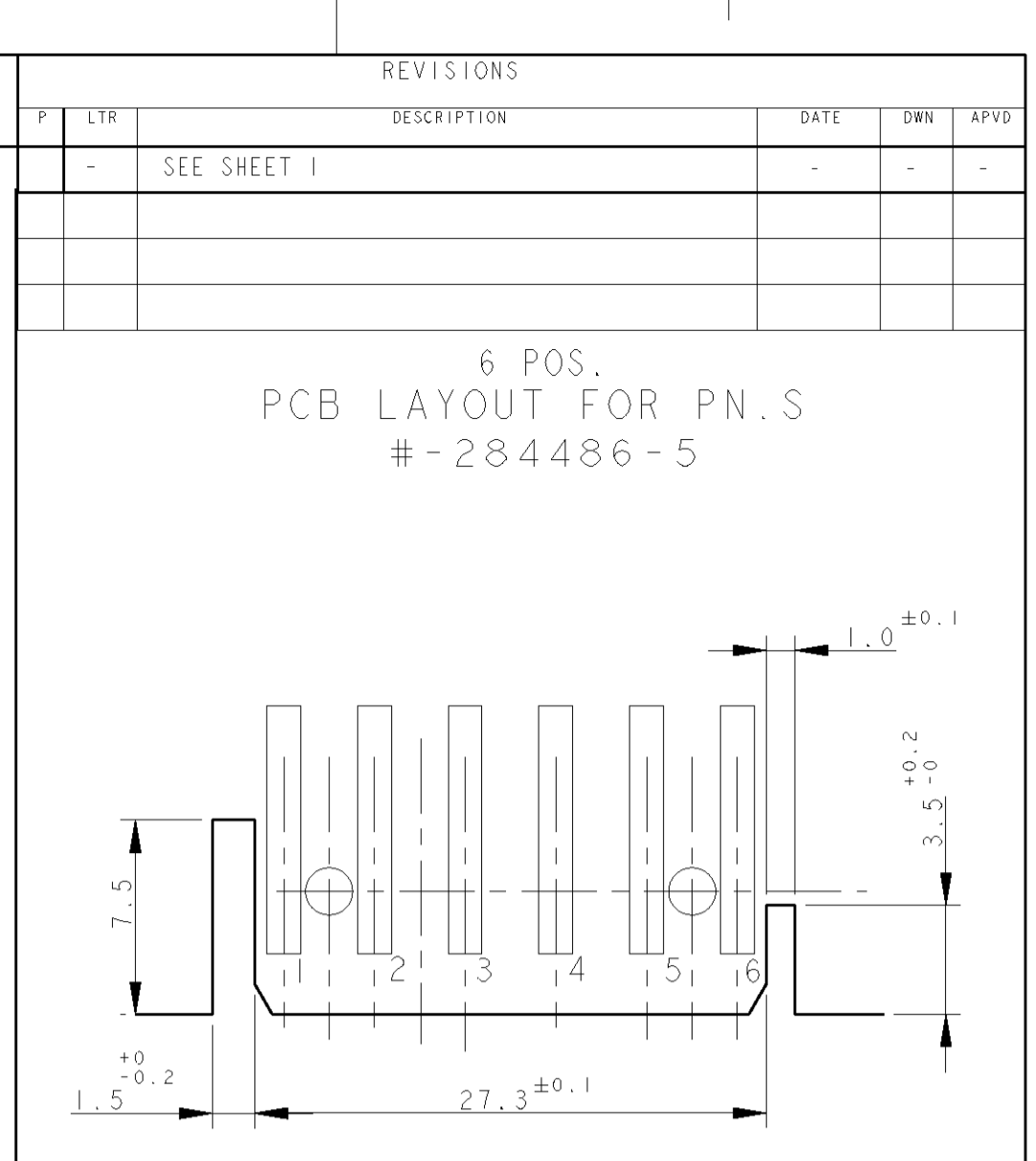
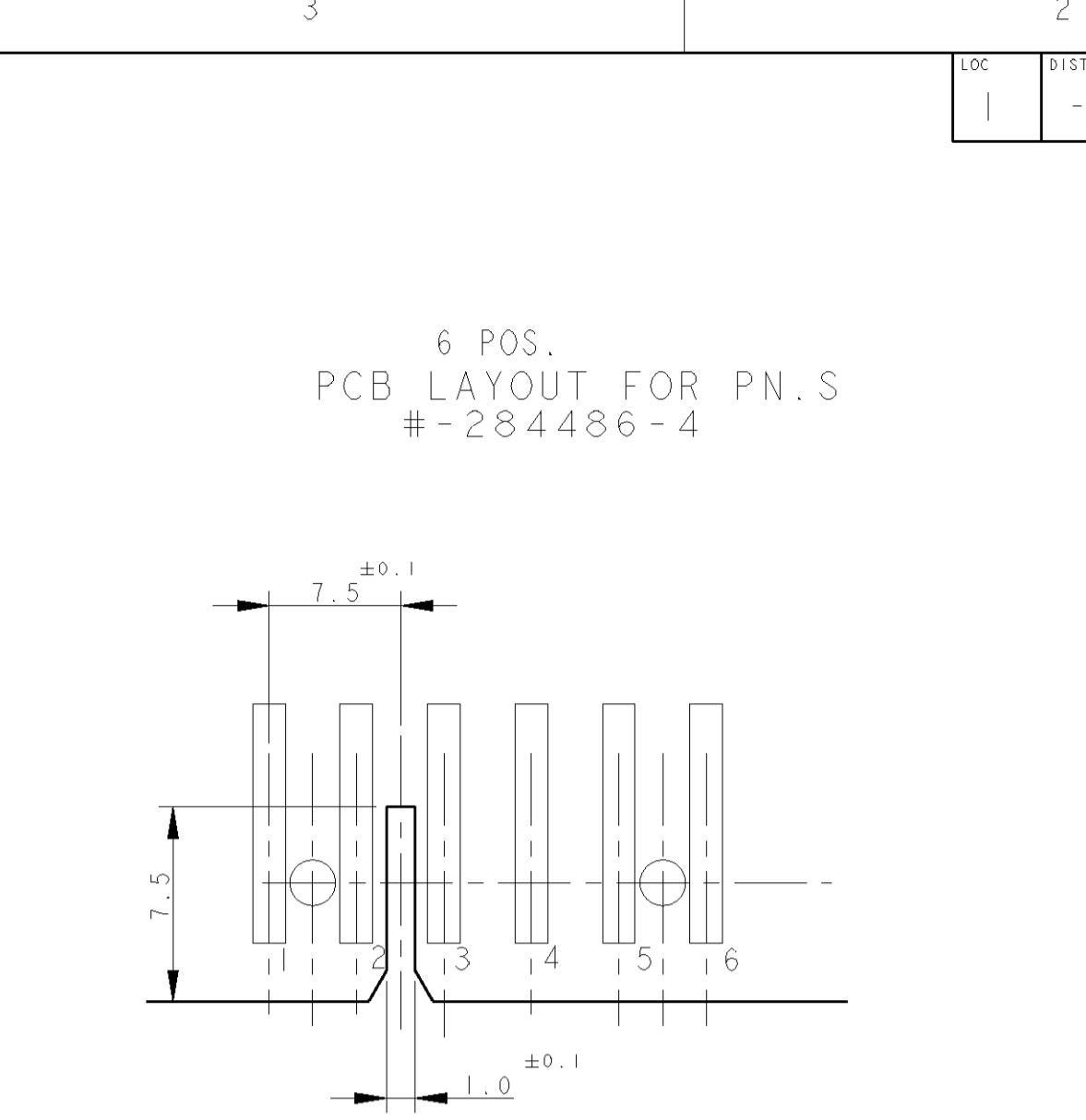
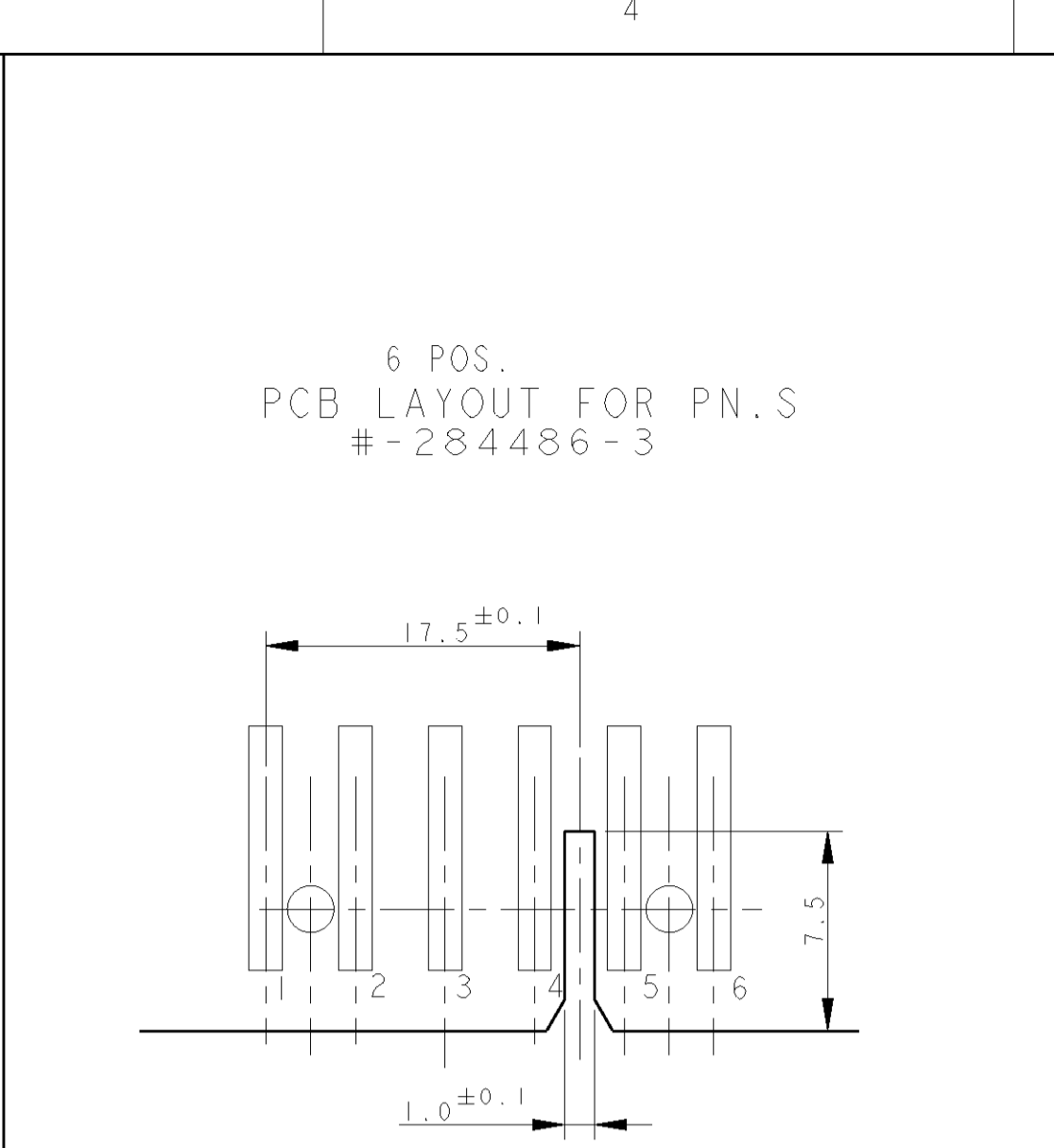
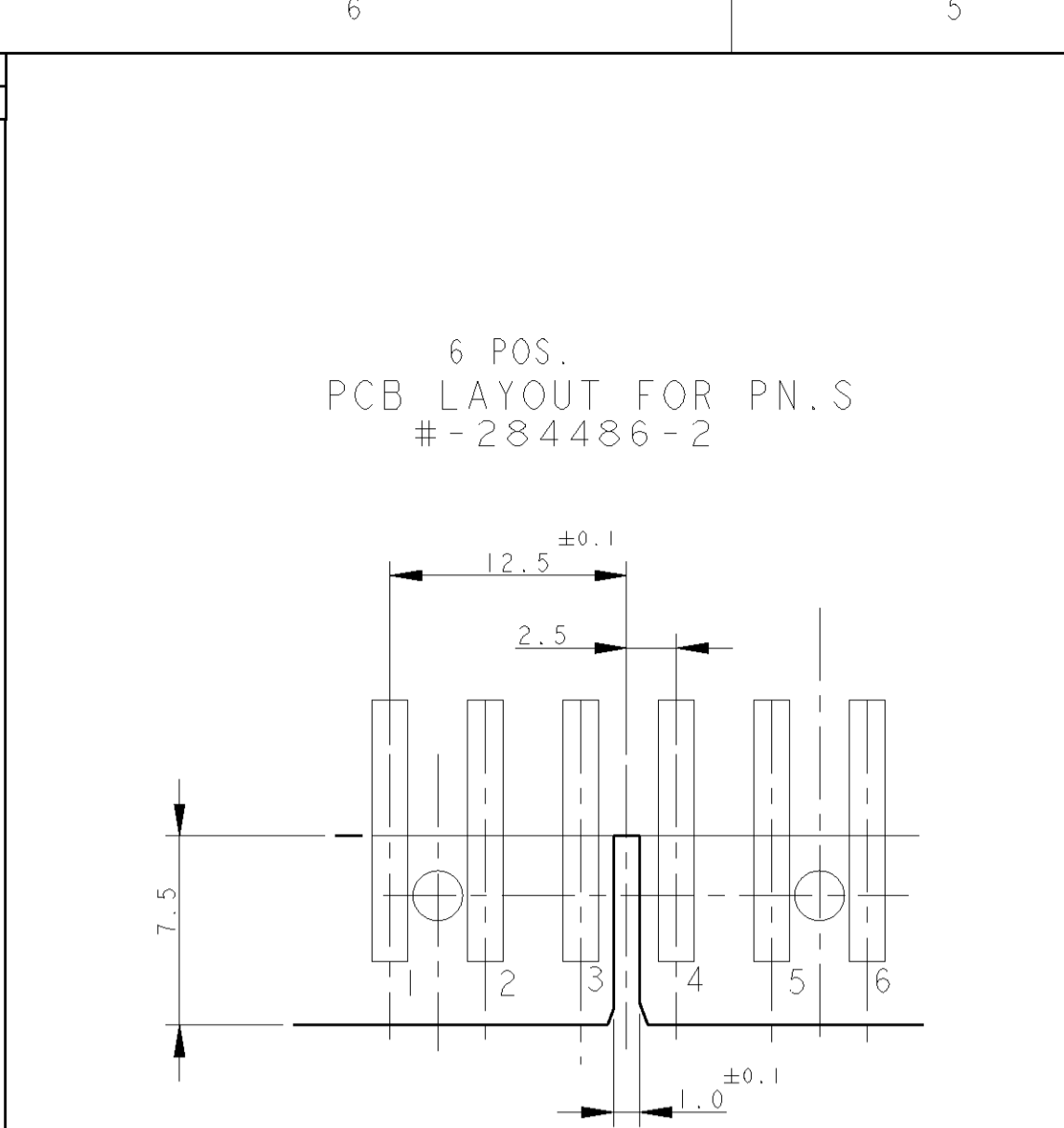
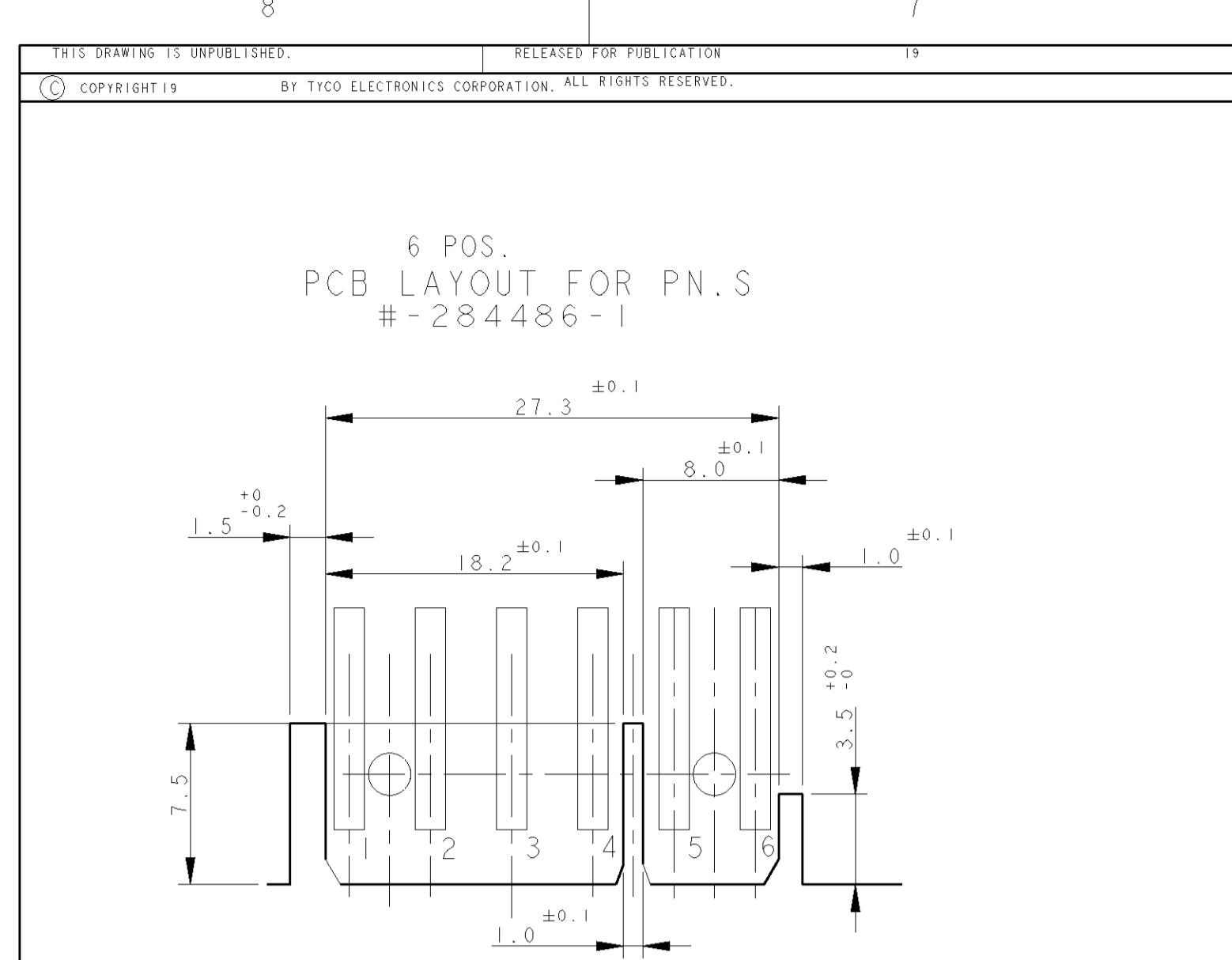
CONNECTOR LAYOUT

(REFER TO THE WAY NUMBER MARKED ON EACH CONNECTOR)



NOTE: ALL THE PCB LAYOUT ARE REFERRED TO RELEVANT CONNECTOR INSERTED WITH THE WAY NUMBERS UP (BACK SIDE OF THE CONNECTOR)

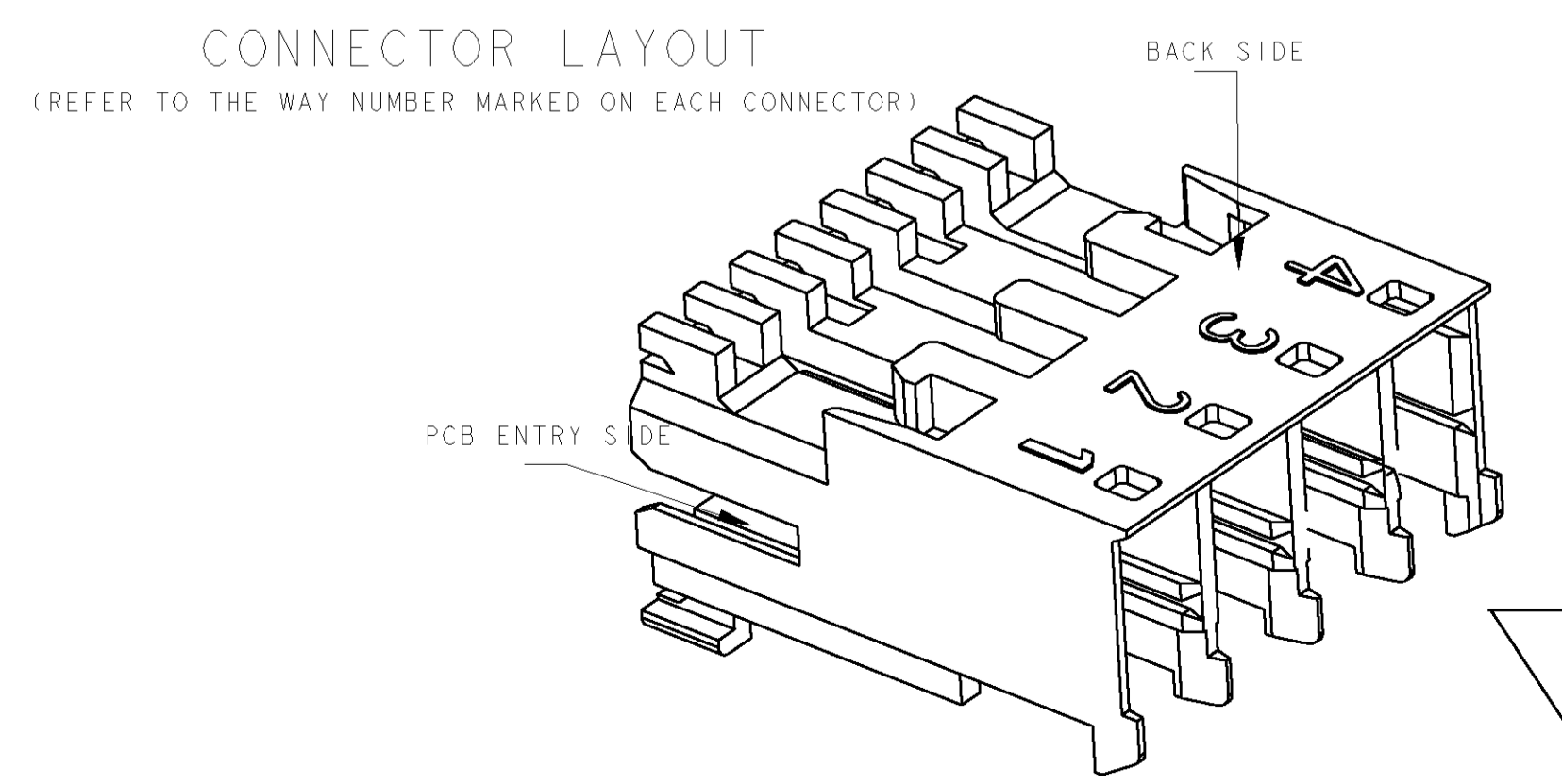
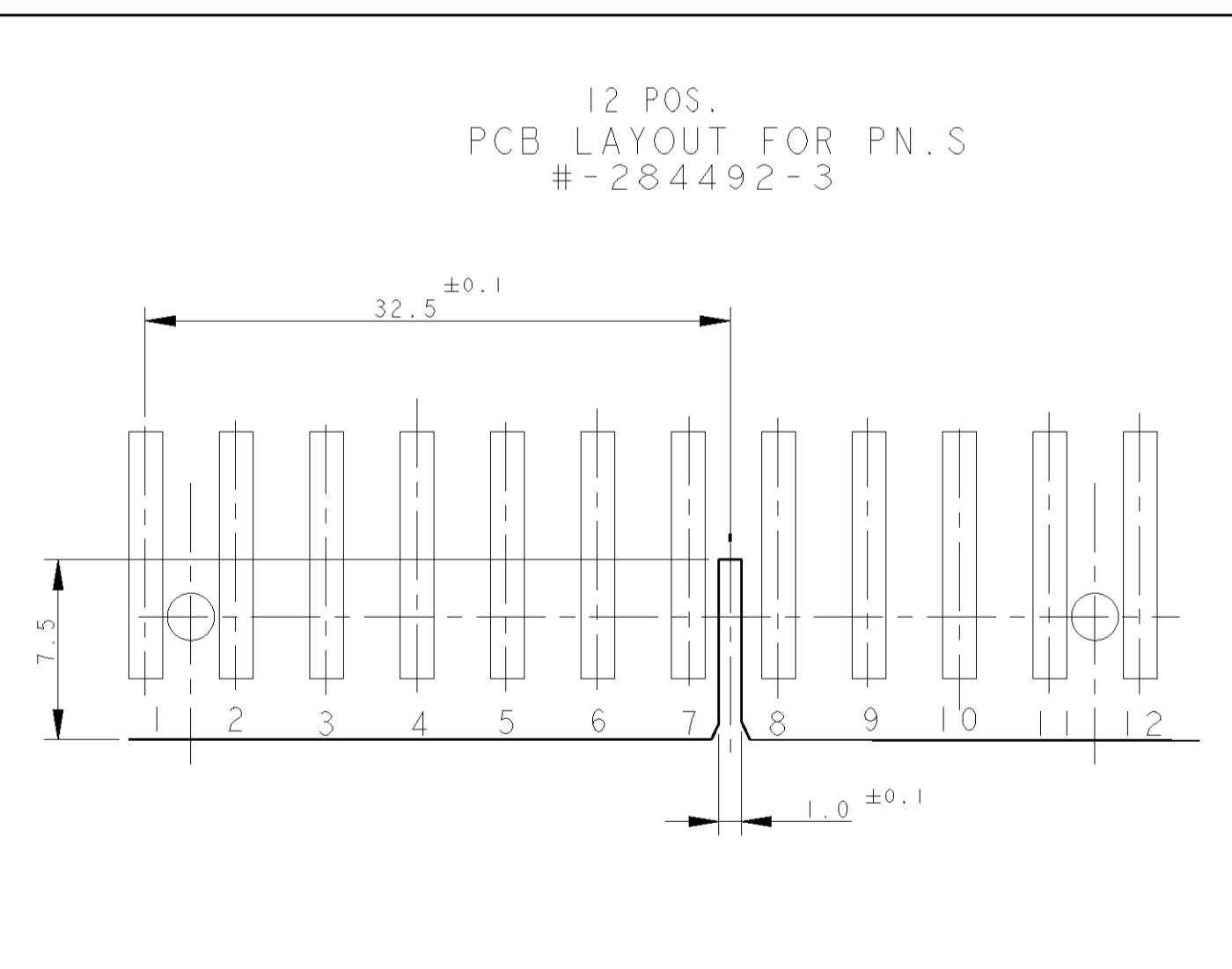
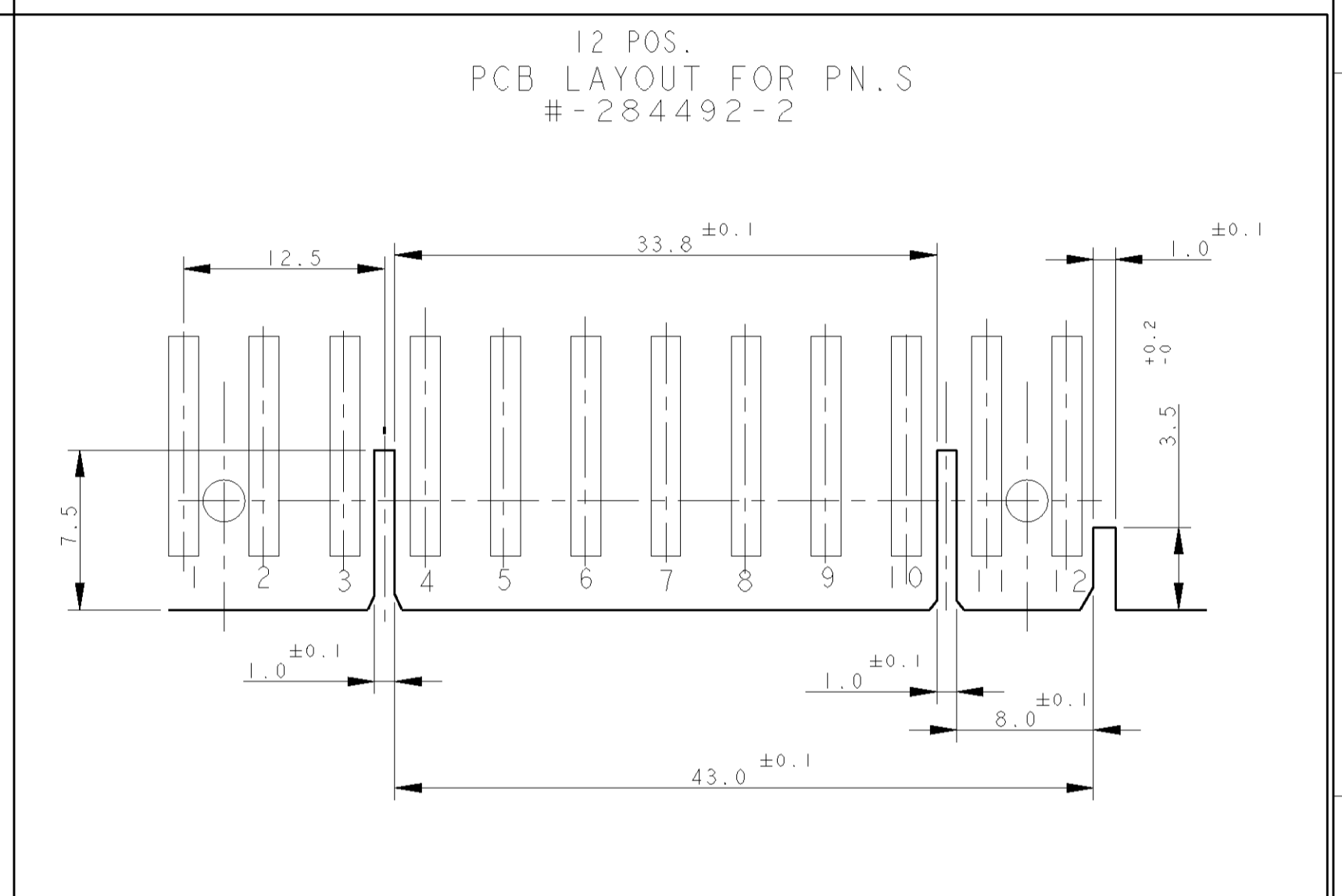
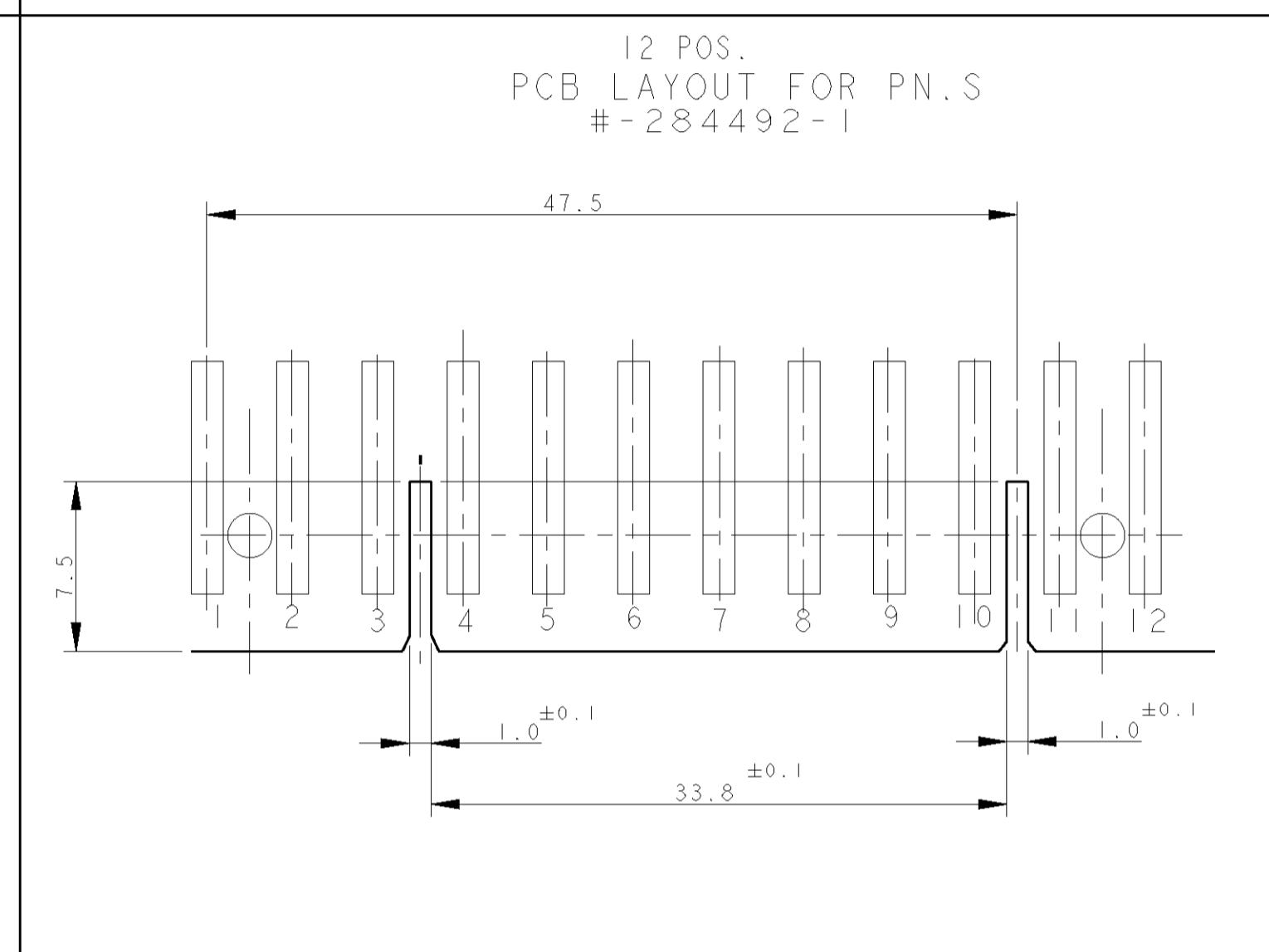
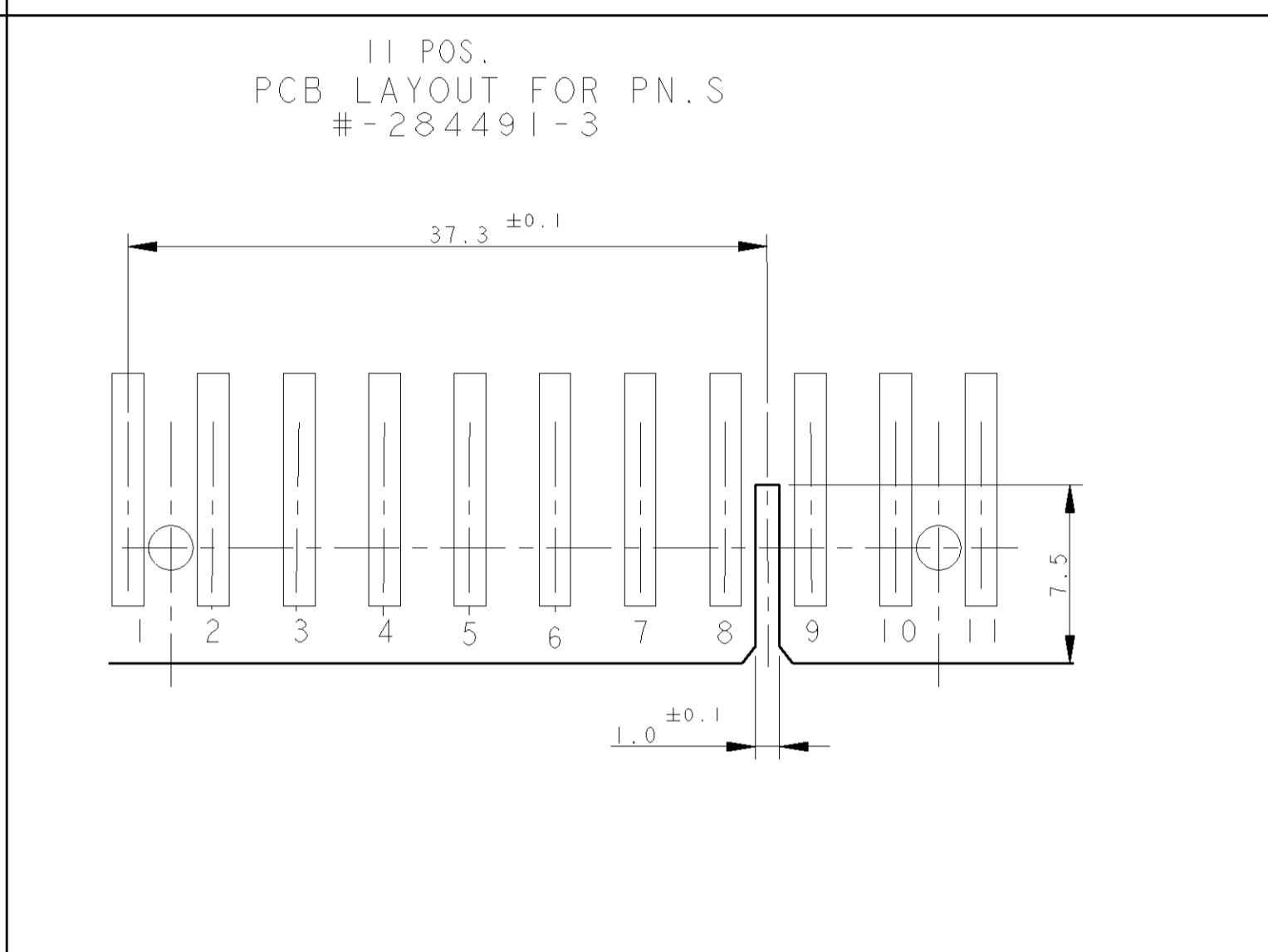
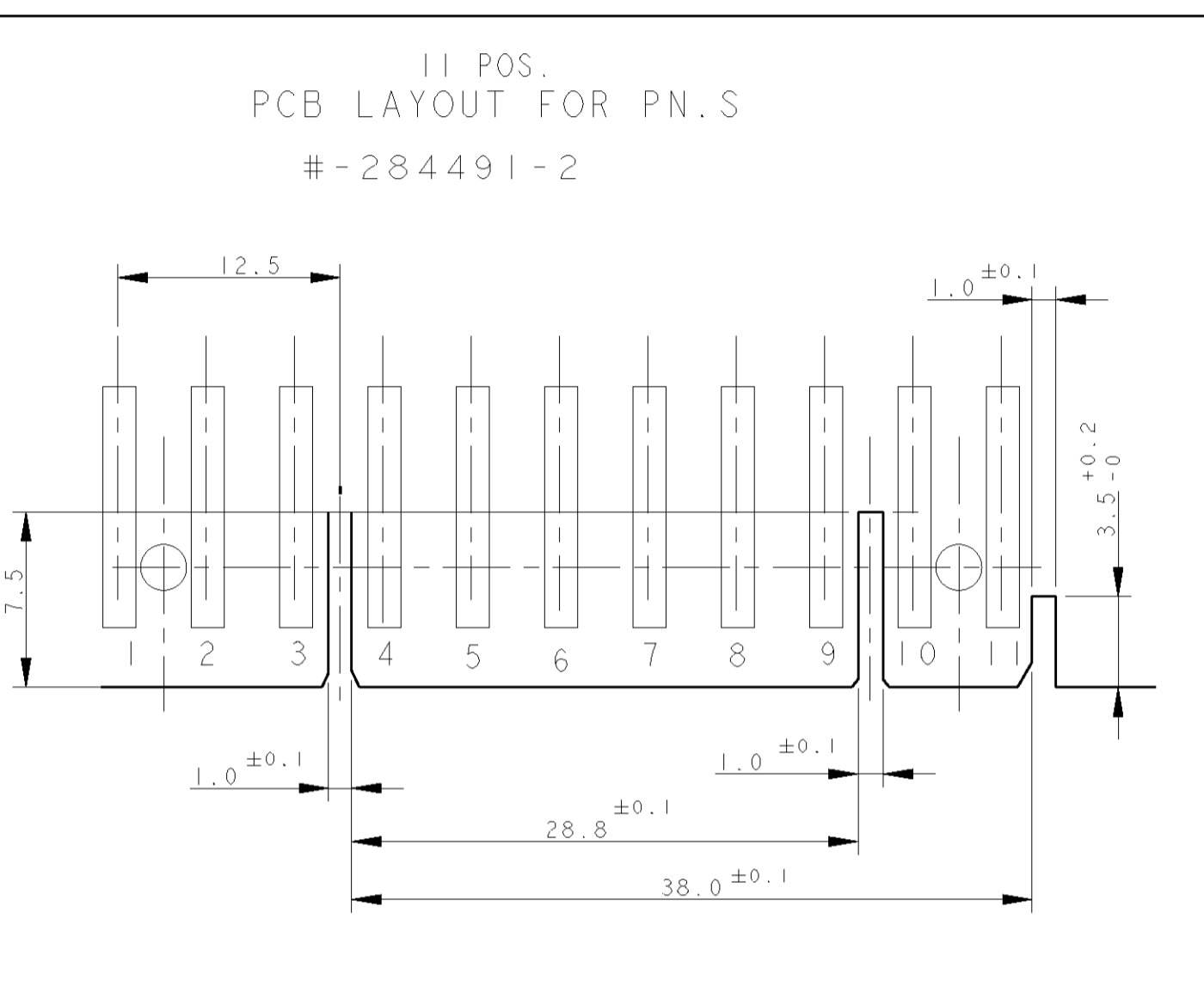
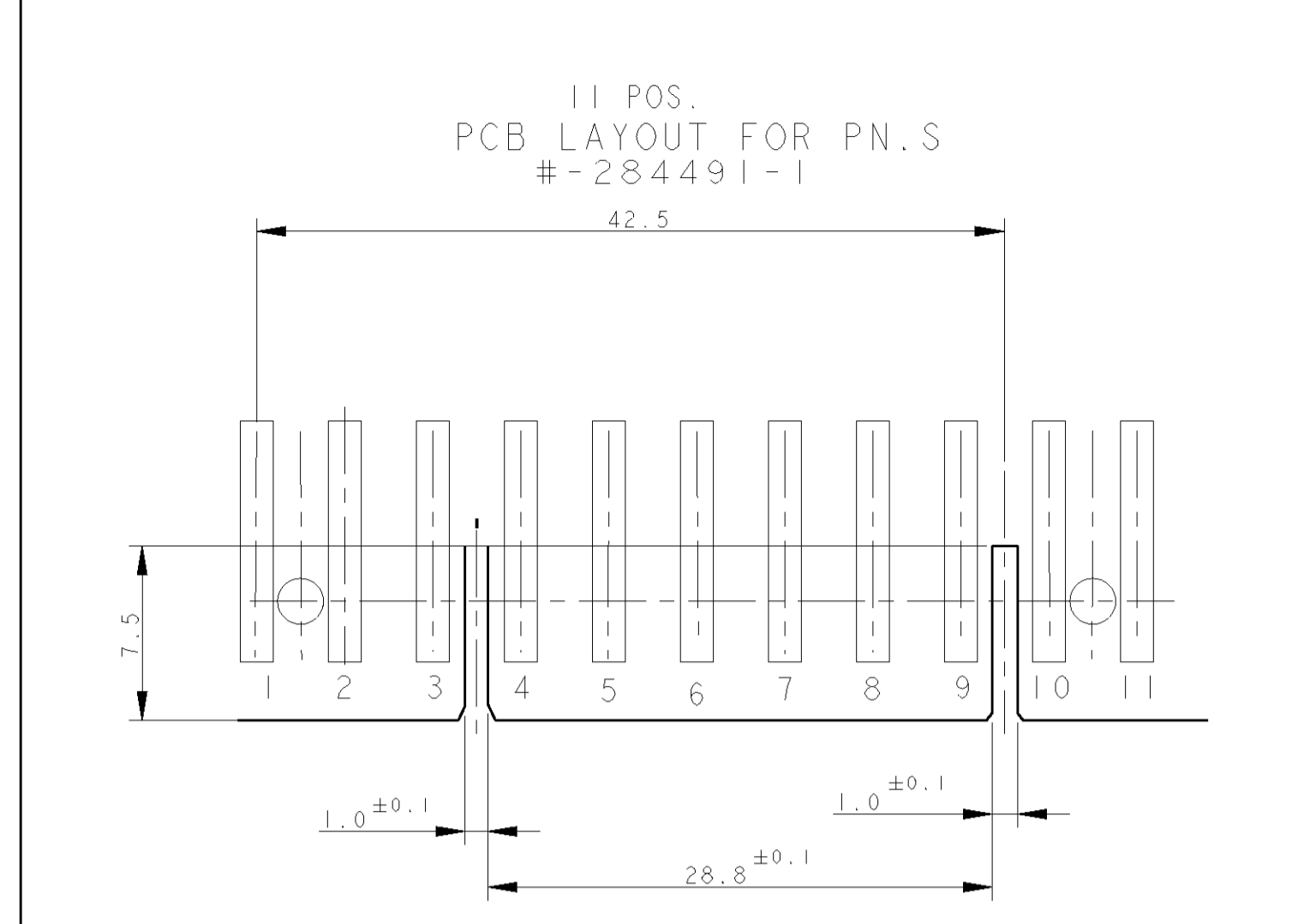
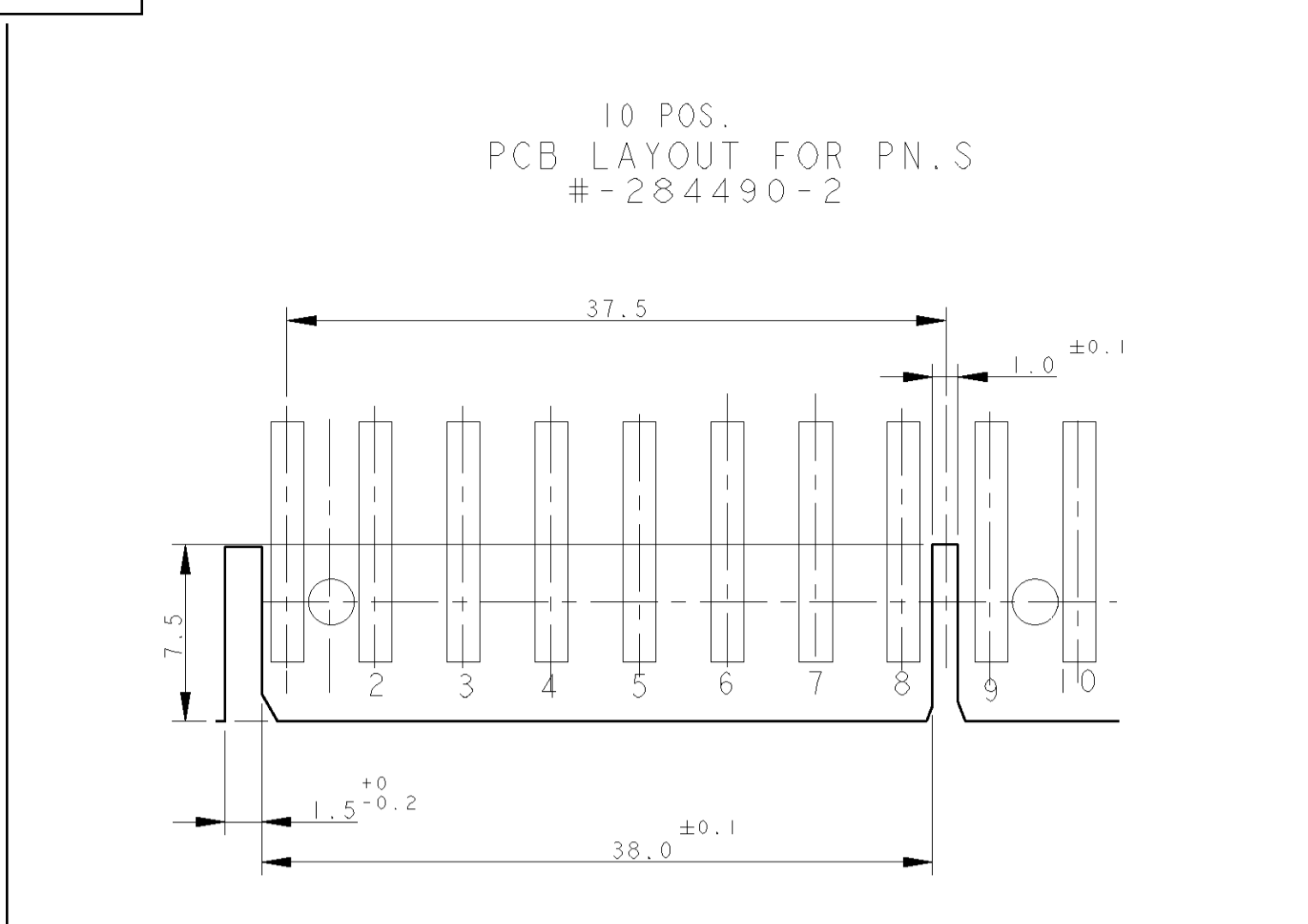
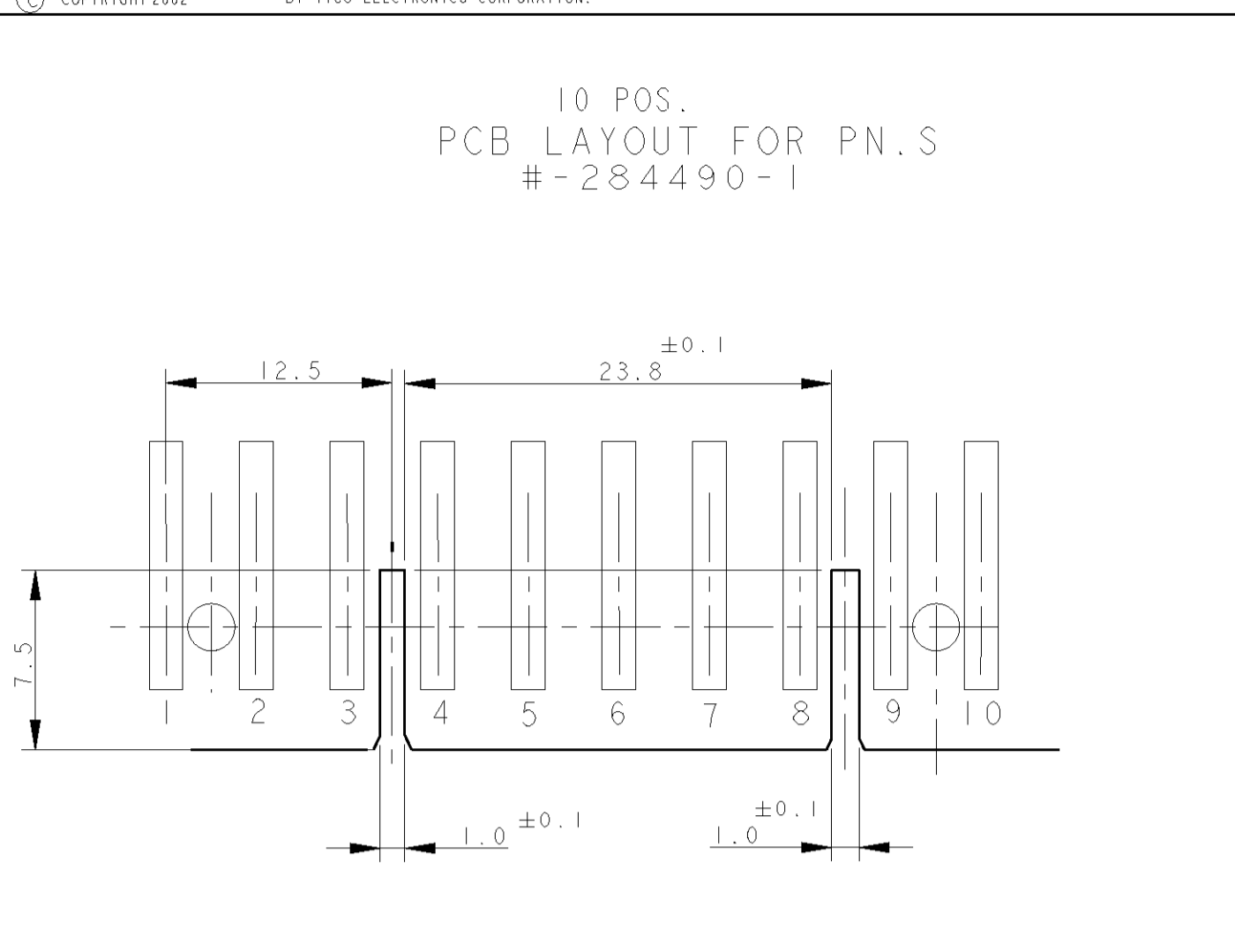
<small>THIS DRAWING IS UNPUBLISHED. RELEASED FOR PUBLICATION. COPYRIGHT 19 BY TYCO ELECTRONICS CORPORATION. ALL RIGHTS RESERVED.</small>		DWN: C. CORDOLA 12DEC2000 ERM: G. TURCO 12DEC2000 APVD: G. TURCO 12DEC2000	Tyco Electronics AMP Italia S.r.l. 10093 Collegno (TO)
DIMENSIONS: mm 	TOLERANCES UNLESS OTHERWISE SPECIFIED: 0 PLC ±0.5 1 PLC ±0.1 2 PLC ±0.1 3 PLC ±0.1 4 PLC ±0.1 ANGLES ±°	NAME: MONO-SHAPE MARK II 2-12 POS PCB CONNECTORS	SIZE: A1 CAGE CODE: 00779 DRAWING NO: C=284482
MATERIAL: -	FINISH: -	WEIGHT: -	RESTRICTED TO: -
CUSTOMER DRAWING		SCALE: NO	SHEET 3 OF 6 REV. E1



NOTE: ALL THE PCB LAYOUT ARE REFERRED TO RELEVANT CONNECTOR INSERTED WITH THE WAY NUMBERS UP (BACK SIDE OF THE CONNECTOR) AS SHOWN

DIMENSIONS:		TOLERANCES UNLESS OTHERWISE SPECIFIED:		DWN		REV	
mm				C. CORDOLA 12DEC2000		G. TURCO 12DEC2000	
9 PLC	±0.5	9 PLC	±0.5	NAME	Tyco Electronics AMP Italia S.r.l. 10093 Collegno (TO)		
1 PLC	±0.1	1 PLC	±0.1	PRODUCT SPEC	MONO-SHAPE MARK II 2-12 POS PCB CONNECTORS		
2 PLC	±	2 PLC	±	APPLICATION SPEC	-		
4 PLC	±	4 PLC	±	WEIGHT	-		
ANGLES	±	ANGLES	±	CUSTOMER DRAWING	-		
MATERIAL	-	FINISH	-	SCALE	NO SHEET 4 OF 6 REV E1		

REVISONS		DATE	DWN	APVD
LOC	DIST			
A1	-			
P. LTR	DESCRIPTION			
-	SEE SHEET 1			



NOTE: ALL THE PCB LAYOUT ARE REFERRED TO RELEVANT CONNECTOR INSERTED WITH THE WAY NUMBERS UP (BACK SIDE OF THE CONNECTOR).

DIMENSIONS: mm 		TOLERANCES UNLESS OTHERWISE SPECIFIED: 0 PLC ± 1 PLC ±0.1 2 PLC ± 3 PLC ± 4 PLC ± ANGLES ± FINISH ±1°		DWN C. CORDOLA DEC2002 ERM G. TURCO DEC.2002 APVD - NAME - PRODUCT SPEC - APPLICATION SPEC - WEIGHT - CUSTOMER DRAWING		Tyco Electronics Tyco Electronics AMP Italia S.r.l. C. F.lli Ceppi, 15 - Collegno (TO)	
MATERIAL - FINISH -		SIZE CAGE CODE DRAWING NO A1 00779 C=284482		RESTRICTED TO SCALE NO SHEET 5 OF 6 REV E1		MONO SHAPE MARK II 2-12 POS PCB CONNECTORS	

LOC	DIST	REVISIONS				
A1	-	P. LTR	DESCRIPTION	DATE	DWN	APVD
		-	SEE SHEET 1	-	-	-

**NATURAL PA 66 - UL94-V2 VERSION**

No. OF POS	"L"	ASS'Y P/N	ASS'Y REV.	COLOUR CODE
2	10.0	0-284482-1	D	GREEN
2	10.0	0-284482-2	D	BLACK
2	10.0	0-284482-3	D	VIOLET
2	10.0	0-284482-4	D	ORANGE
2	10.0	0-284482-5	D	GRAY
2	10.0	0-284482-6	D	RED
3	15.0	0-284483-1	D	GREEN
3	15.0	0-284483-2	D	BLACK
3	15.0	0-284483-3	D	VIOLET
3	15.0	0-284483-4	D	ORANGE
4	20.0	0-284484-1	D	GREEN
4	20.0	0-284484-2	D	BLACK
4	20.0	0-284484-3	D	VIOLET
4	20.0	0-284484-4	D	ORANGE
5	25.0	0-284485-1	D	GREEN
5	25.0	0-284485-2	D	BLACK
5	25.0	0-284485-3	D	VIOLET
5	25.0	0-284485-4	D	ORANGE
6	30.0	0-284486-1	D	GREEN
6	30.0	0-284486-2	D	BLACK
6	30.0	0-284486-3	D	VIOLET
6	30.0	0-284486-4	D	ORANGE
6	30.0	0-284486-5	D	GRAY
7	35.0	0-284487-1	D	GREEN
7	35.0	0-284487-2	D	BLACK
7	35.0	0-284487-3	D	VIOLET
8	40.0	0-284488-1	D	GREEN
8	40.0	0-284488-2	D	BLACK
8	40.0	0-284488-3	D	VIOLET
8	40.0	0-284488-4	D	ORANGE
9	45.0	0-284489-1	D	GREEN
9	45.0	0-284489-2	D	BLACK
9	45.0	0-284489-3	D	VIOLET
9	45.0	0-284489-4	D	ORANGE
10	50.0	0-284490-1	D	GREEN
10	50.0	0-284490-2	D	BLACK
11	55.5	0-284491-1	D	GREEN
11	55.5	0-284491-2	D	BLACK
11	55.5	0-284491-3	D	VIOLET
12	60.0	0-284492-1	D	GREEN
12	60.0	0-284492-2	D	BLACK
12	60.0	0-284492-3	D	VIOLET

**NATURAL PA 66 - UL94-V0 VERSION**

No. OF POS	"L"	ASS'Y P/N	ASS'Y REV.	COLOUR CODE
2	10.0	1-284482-1	D	GREEN
2	10.0	0-284482-2	D	BLACK
2	10.0	0-284482-3	D	VIOLET
2	10.0	0-284482-4	D	ORANGE
2	10.0	0-284482-5	D	GRAY
2	10.0	0-284482-6	D	RED
3	15.0	0-284483-1	D	GREEN
3	15.0	0-284483-2	D	BLACK
3	15.0	0-284483-3	D	VIOLET
3	15.0	0-284483-4	D	ORANGE
4	20.0	0-284484-1	D	GREEN
4	20.0	0-284484-2	D	BLACK
4	20.0	0-284484-3	D	VIOLET
4	20.0	0-284484-4	D	ORANGE
5	25.0	0-284485-1	D	GREEN
5	25.0	0-284485-2	D	BLACK
5	25.0	0-284485-3	D	VIOLET
5	25.0	0-284485-4	D	ORANGE
6	30.0	0-284486-1	D	GREEN
6	30.0	0-284486-2	D	BLACK
6	30.0	0-284486-3	D	VIOLET
6	30.0	0-284486-4	D	ORANGE
6	30.0	0-284486-5	D	GRAY
7	35.0	0-284487-1	D	GREEN
7	35.0	0-284487-2	D	BLACK
7	35.0	0-284487-3	D	VIOLET
8	40.0	0-284488-1	D	GREEN
8	40.0	0-284488-2	D	BLACK
8	40.0	0-284488-3	D	VIOLET
8	40.0	0-284488-4	D	ORANGE
9	45.0	0-284489-1	D	GREEN
9	45.0	0-284489-2	D	BLACK
9	45.0	0-284489-3	D	VIOLET
9	45.0	0-284489-4	D	ORANGE
10	50.0	0-284490-1	D	GREEN
10	50.0	0-284490-2	D	BLACK
11	55.5	0-284491-1	D	GREEN
11	55.5	0-284491-2	D	BLACK
11	55.5	0-284491-3	D	VIOLET
12	60.0	0-284492-1	D	GREEN
12	60.0	0-284492-2	D	BLACK
12	60.0	0-284492-3	D	VIOLET

**NATURAL PA 66  
G.W. 750 NO FLAME VERSION**

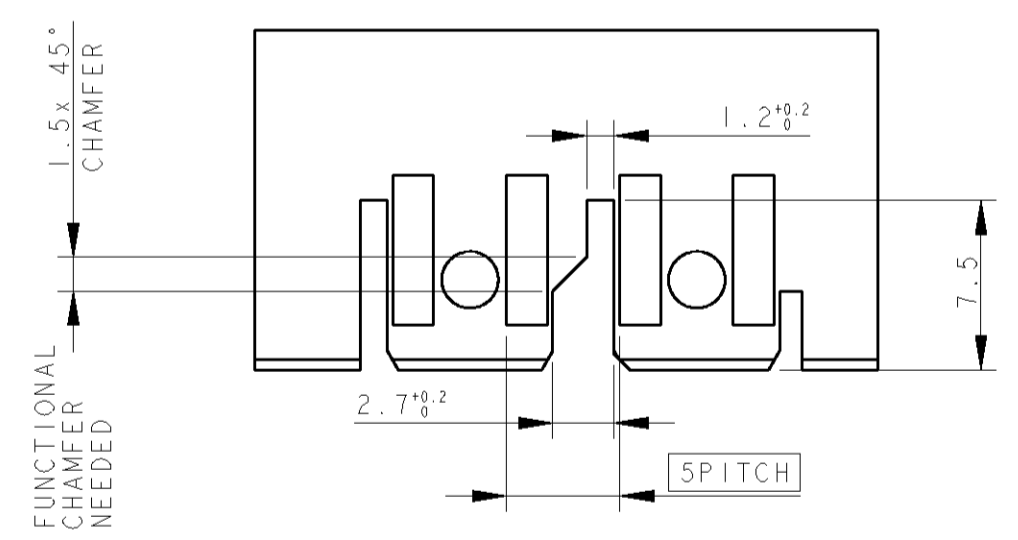
No. OF POS	"L"	ASS'Y P/N	ASS'Y REV.	COLOUR CODE
2	10.0	3-284482-1	B	GREEN
2	10.0	3-284482-2	B	BLACK
2	10.0	3-284482-3	B	VIOLET
2	10.0	3-284482-4	B	ORANGE
2	10.0	3-284482-5	B	GRAY
2	10.0	3-284482-6	B	RED
3	15.0	3-284483-1	B	GREEN
3	15.0	3-284483-2	B	BLACK
3	15.0	3-284483-3	B	VIOLET
3	15.0	3-284483-4	B	ORANGE
4	20.0	3-284484-1	B	GREEN
4	20.0	3-284484-2	B	BLACK
4	20.0	3-284484-3	B	VIOLET
4	20.0	3-284484-4	B	ORANGE
5	25.0	3-284485-1	B	GREEN
5	25.0	3-284485-2	B	BLACK
5	25.0	3-284485-3	B	VIOLET
5	25.0	3-284485-4	B	ORANGE
6	30.0	3-284486-1	B	GREEN
6	30.0	3-284486-2	B	BLACK
6	30.0	3-284486-3	B	VIOLET
6	30.0	3-284486-4	B	ORANGE
6	30.0	3-284486-5	B	GRAY
7	35.0	3-284487-1	A	GREEN
7	35.0	3-284487-2	B	BLACK
7	35.0	3-284487-3	B	VIOLET
8	40.0	3-284488-1	B	GREEN
8	40.0	3-284488-2	B	BLACK
8	40.0	3-284488-3	B	VIOLET
8	40.0	3-284488-4	B	ORANGE
9	45.0	3-284489-1	B	GREEN
9	45.0	3-284489-2	B	BLACK
9	45.0	3-284489-3	B	VIOLET
9	45.0	3-284489-4	B	ORANGE
10	50.0	3-284490-1	B	GREEN
10	50.0	3-284490-2	B	BLACK
11	55.5	3-284491-1	B	GREEN
11	55.5	3-284491-2	B	BLACK
11	55.5	3-284491-3	B	VIOLET
12	60.0	3-284492-1	B	GREEN
12	60.0	3-284492-2	B	BLACK
12	60.0	3-284492-3	B	VIOLET

**NATURAL PA 66 - UL94-V0  
and GWIT 750 NF VERSION  
(PRELIMINARY-NOT YET IN PRODUCTION)**

No. OF POS	"L"	ASS'Y P/N	ASS'Y REV.	COLOUR CODE
2	10.0	4-284482-1	A	GREEN
2	10.0	4-284482-2	A	BLACK
2	10.0	4-284482-3	A	VIOLET
2	10.0	4-284482-4	A	ORANGE
2	10.0	4-284482-5	A	GRAY
2	10.0	4-284482-6	A	RED
3	15.0	4-284483-1	A	GREEN
3	15.0	4-284483-2	A	BLACK
3	15.0	4-284483-3	A	VIOLET
3	15.0	4-284483-4	A	ORANGE
4	20.0	4-284484-1	A	GREEN
4	20.0	4-284484-2	A	BLACK
4	20.0	4-284484-3	A	VIOLET
4	20.0	4-284484-4	A	ORANGE
5	25.0	4-284485-1	A	GREEN
5	25.0	4-284485-2	A	BLACK
5	25.0	4-284485-3	A	VIOLET
5	25.0	4-284485-4	A	ORANGE
6	30.0	4-284486-1	A	GREEN
6	30.0	4-284486-2	A	BLACK
6	30.0	4-284486-3	A	VIOLET
6	30.0	4-284486-4	A	ORANGE
6	30.0	4-284486-5	A	GRAY
7	35.0	4-284487-1	A	GREEN
7	35.0	4-284487-2	A	BLACK
7	35.0	4-284487-3	A	VIOLET
8	40.0	4-284488-1	B	GREEN
8	40.0	4-284488-2	A	BLACK
8	40.0	4-284488-3	A	VIOLET
8	40.0	4-284488-4	A	ORANGE
9	45.0	4-284489-1	A	GREEN
9	45.0	4-284489-2	A	BLACK
9	45.0	4-284489-3	A	VIOLET
9	45.0	4-284489-4	A	ORANGE
10	50.0	4-284490-1	A	GREEN
10	50.0	4-284490-2	A	BLACK
11	55.5	4-284491-1	A	GREEN
11	55.5	4-284491-2	A	BLACK
11	55.5	4-284491-3	A	VIOLET
12	60.0	4-284492-1	A	GREEN
12	60.0	4-284492-2	A	BLACK
12	60.0	4-284492-3	A	VIOLET

- 1 CARD SLOT WALL CLOGGED TO OBTAIN POLARIZATION ON PRINTED CIRCUIT BOARD
- 2 KEYING RIB ON FIRST AND LAST CAVITY SEE NOTE 15
- 2a TYPICAL KEYING RIB SEE NOTE 15
- 3 POLARIZATION RIB (ALL) SEE NOTE 15
- 4 MATERIALS:  
- HOUSINGS: NYLON UNFILLED, BASED ON PRODUCT APPLICATION  
DIFFERENT TYPE OF MATERIAL ARE AVAILABLE.  
- UL94-V2 GRADE - PRE DASH 0  
- UL94-V0 GRADE - PRE DASH 1  
- UL94-V2 & GLOW WIRE 750\* NO FLAME GRADE- PRE DASH 3  
- UL94-V0 & GLOW WIRE 750\* NO FLAME GRADE- PRE DASH 4  
FOR DETAIL SEE RELEVANT TABLE.  
- CONTACTS: HIGH CONDUCTIVITY COPPER ALLOY
- 5 AMP LOGO FREE POSITION
- 6 CIRCUIT IDENTIFICATION
- 7 LOCKING TEETH IS ALWAYS PRESENT BETWEEN CAVITY 1 AND 2 AND BETWEEN LAST AND LAST CAVITY BUT ONE, EXCEPT WHERE SHOWN BY NOTE 11
- 8 PACKAGING ON CARTON BOX AS PER AMP SPEC. 107-20213
- 9 DUE TO MOISTURING ABSORPTION AFTER THE SEALED BAG PACKAGING REMOVAL, TOLERANCE FOR DIM "L" CAN BE +0.05 / -0.5 mm FOR ALL THE PART NUMBERS FROM 6 TO 12 POSITION
- 10 CONTACT POSITION IN HOUSING
- 11 COLOUR: SEE TABLE FOR P/N'S IDENTIFICATION BEFORE CRIMPING OPERATION, ONLY. DEFINITIVE COLOR MARKING TO BE MADE BY APPLICATION MACHINE.
- 12 STRIP-CLIPS TO BE CUT-OFF BY APPLICATION MACHINE
- 13 CONNECTOR SUITABLE FOR PRINTED CIRCUIT BOARD (PCB) THK. 1.5±0.14
- 14 FOR INTERNAL POLARIZATION RIBS DETAIL AND POSITION CHECK ALSO THE PCB LAYOUT ON PREVIOUS SHEETS
- 15 INDIVIDUAL CUT-OFF TO BE MADE BY APPLICATION MACHINE
- 16 CONNECTOR SUITABLE FOR SINGE AND DOUBLE WIRE APPLICATION (SEE PRODUCT SPEC. 108-20214 AND APPLICATION SPEC. 114-20104 & 114-20111)
- 17 OBSOLETE PARTS: OBSOLETE CIS STREAMLINING PER D.RENAUD/D.SINISI

**SUGGESTED LAYOUT FOR CONNECTOR STACKED SIDE BY SIDE**  
 EXAMPLE OF LAYOUT FOR 2 POS. PN #-284482-4 (LEFT) AND N #-284482-5 (RIGHT).



DIMENSIONS: mm 		TOLERANCES UNLESS OTHERWISE SPECIFIED: 0 PLC ± 1 PLC ± 2 PLC ± 3 PLC ± 4 PLC ± ANGLES ±1°		DWN: C. CORDOLA DEC. 2002 CHK: G. TURCO DEC. 2002 APVD: -	Tyco Electronics Tyco Electronics AMP Italia S.r.l. C.so F.lli Cervi 15 Collegno (TO)
MATERIAL: - FINISH: -		WEIGHT: - CUSTOMER DRAWING		NAME: MONO SHAPE MARK 11 2-12 POS. PCB CONNECTORS SIZE: A1 CABE CODE: 00779 DRAWING NO: C=284482 RESTRICTED TO: - SCALE: NO SHEET 6 OF 6 REV: E1	