

5

4

3

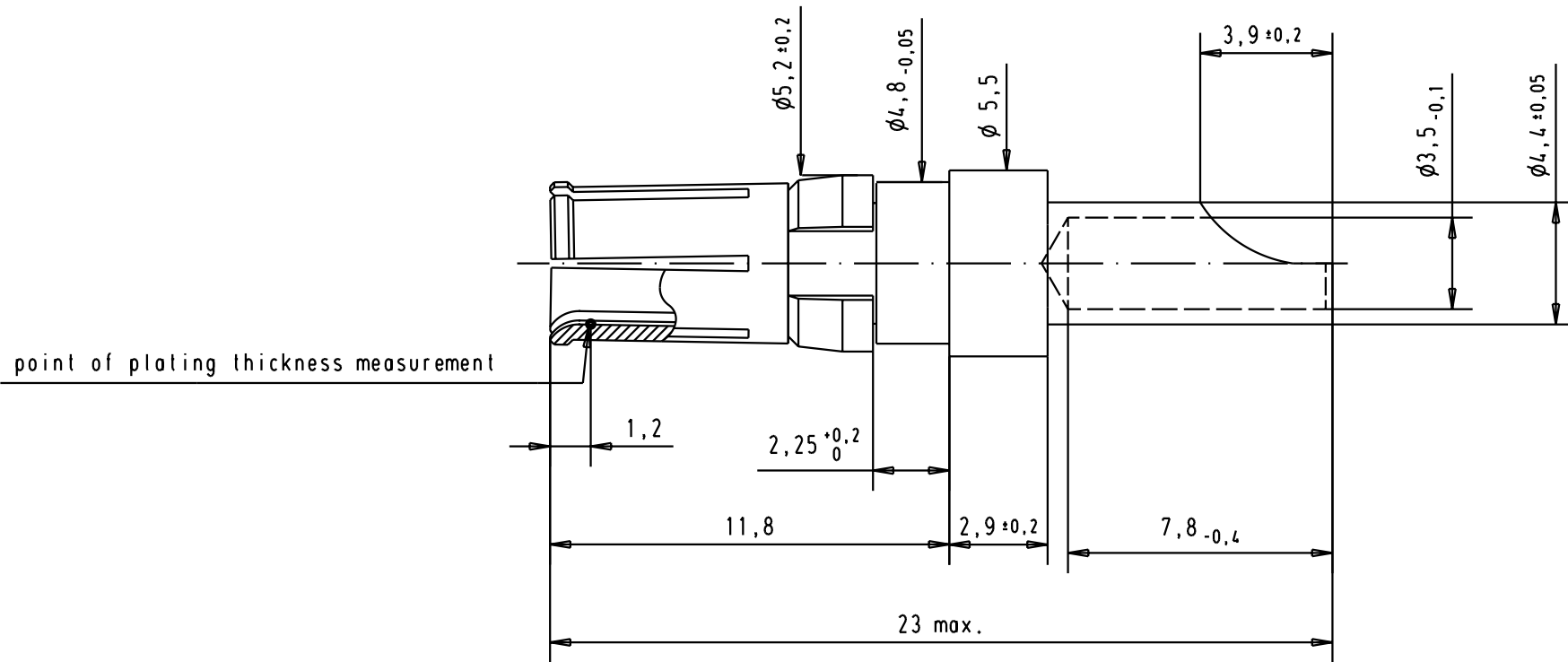
2



1

D

C

B



								Dat.	Name	 All Dim. in mm Orig. Size DIN A 4	Female High power contact, 30A, straight cable terminaison, solder	Maßstab/ Scale 5:1					
09691817422	Mating area	0,2 μm Au					Detail.	21-JUN-02	CV								
	Termination area	5 μm Sn					Insp.										
							Stand.										
09691815422	Mating area	0,8 μm Au								 HARTING EURL F-95972 Paris	TB 09 69 181 x422	Blatt/ Page 1 / 1					
	Termination area	0,2 μm Au															
Part number	Plating		Mod.	Dat.	Name						Sub.						