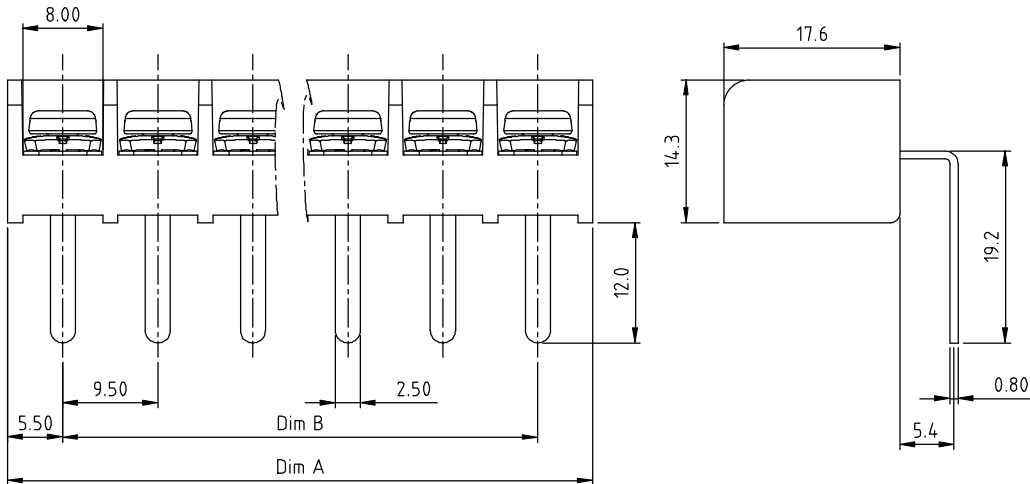
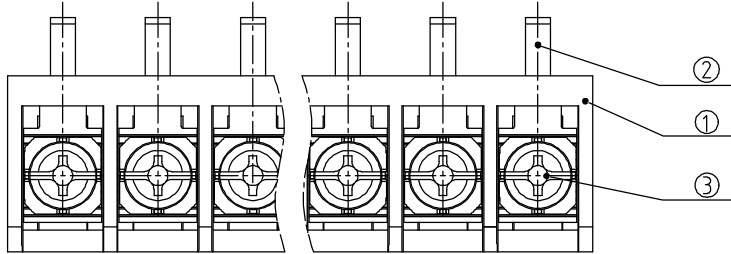


PRODUCT NUMBER	PITCH
YK445xx0x0JOG	9.50 mm



MATERIALS ELECTRICAL	cULus	CQC
RATED VOLTAGE & CURRENT:	300 V, 30A	/ 300V 24A
WITHSTAND VOLTAGE:	AC2500V/min	
INSULATION RESISTANCE:	1000 MΩ OR MORE AT DC 500 V	
OPERATING TEMPERATURE RANG:	-40 °C ~ +115 °C	
SCREW TORQUE VALUE:	10.54 Lb-In.	/ 0.8Nm
WIRE RANGE:	22 - 10 AWG / 22-14 AWG	
1) MOLDED PARTS:	Thermoplastic, UL 94 V-0 BLACK	
2) TERMINAL:	BRASS, 0.8t	
3) TERMINAL SCREWS:	STEEL, M3.5	
APPROVAL:		

DIMENSION

Dim A	N×9.5+1.5
Dim B	(N-1)×9.5

N=Number of poles

Poles	Tolerance
2p-4p	±0.20
5p-8p	±0.25
9p-16p	±0.35
17p-23p	±0.40
24p-30p	±0.50

PART NO.: YK 445xx 0 x 0 JOG

No. of poles	Plated			RoHS compliant (lead<4%) In copper Alloy	
	02 2 poles	Code	Terminal		Screw
	03 3 poles	0	G/F		G/F
	...	1	G/F		Zinc
	30 30 poles	2	Tin		G/F
	3	Tin	Zinc		

mat'l. code				surface ASME Y14.5 ✓		tolerance ASME Y14.5		projection 		product family TERMINAL BLOCK	
ltr	ecn no	dr	date	tolerances unless otherwise specified				MM		title	
				angles	X.±0.5		scale		TERMINAL BLOCK		
				flat	X.X±0.3				BARRIER TYPE		
				X'±1"	X.XX±0.1				dwg no		
				dr	EVAN LU	061614			sheet 1 of 1		
				enr	EVAN LU	061614			size		
				chr	HANKE FENG	061614			A4		
				appd	SHI JUN	061614			YK445xx0x0JOG		
sheet index		revision sheet		A				type		CUSTOMER Drawing	
		1									