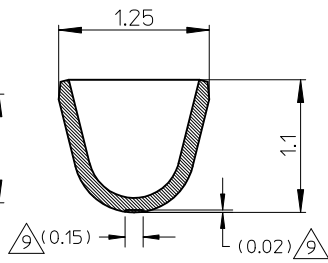
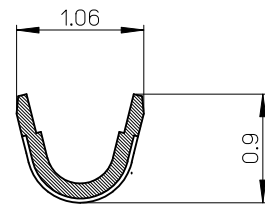
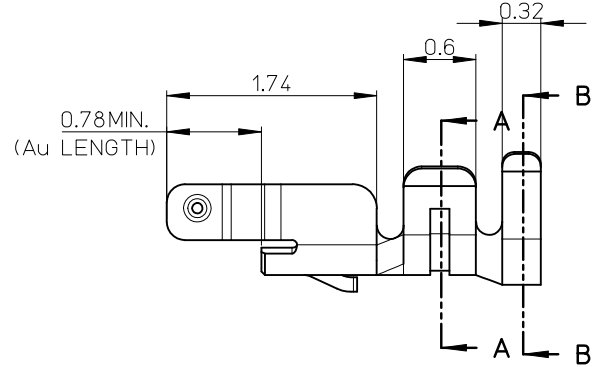
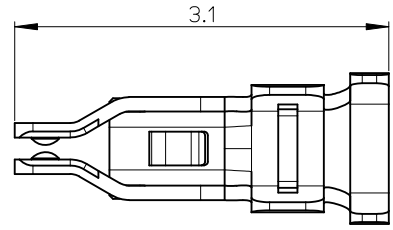
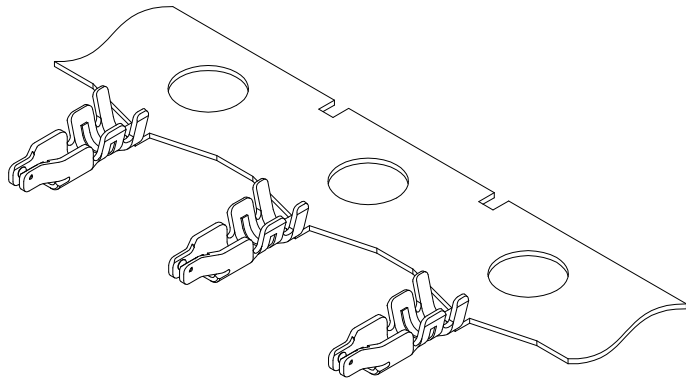


CONFIDENTIAL



SECTION A-A
(CONDUCTOR BARREL)

SECTION B-B
(INSULATION BARREL)

NOTES:

- 材質: コルソン銅
MATERIAL: COPPER-NICKEL-SILICON ALLOY
- メッキ: 全面Ni下地 1.0μm MIN. 部分Au 0.1μm以上
PLATING: GOLD 0.1μm MIN. OVER 1.0μm MIN. NICKEL OVERALL
- 適用ハウジング: 78172-00**,503214-0*01
APPLICABLE HOUSING: 78172-00**,503214-0*01
- 適用圧着工具: アプリケーター: 578059-3000
: 圧着機: 57275-4000
APPLICABLE CRIMP TOOL (SEMI-AUTOMATIC): 578059-3000 (APPLY TO 57275-4000)
- 圧着仕様書 CS-78172-013 を参照のこと。
REFER TO CRIMPING SPECIFICATION CS-78172-013
- 製品の取り扱いについては、コネクタ取り扱い説明書(AS-78172-007)を参照のこと。
PLEASE REFER TO INSTRUCTION MANUAL(AS-78172-007)
- 参考として本製品評価時に使用の電線使用を以下に示します。
THE ELECTRIC WIRE SPECIFICATION USED AS REFERENCE AT THE TIME OF THIS PRODUCT EVALUATION IS SHOWN BELOW.

※製品評価時使用電線

住友電工(株)製 UL3302電線
SUMITOMO ELECTRIC INDUSTRIES,LTD.:UL STYLE 3302

電線サイズ WIRE SIZE	導体仕様 CONDUCTOR SPEC.	導体構成 STRANDING (No./mm)	導体外径 CONDUCTOR DIA. (mm)	絶縁体外径 INSULATION DIA. (mm)
AWG# 30	錫メッキ軟銅線 TINNED ANNEALED COPPER	7/0.10	0.30	0.70

古河電気工業(株)製 UL3302 エコソフレックス電線
FURUKAWA ELECTRIC CO.LTD.:UL STYLE 3302 ECOSOFLEX WIRE.

電線サイズ WIRE SIZE	導体仕様 CONDUCTOR SPEC.	導体構成 STRANDING (No./mm)	導体外径 CONDUCTOR DIA. (mm)	絶縁体外径 INSULATION DIA. (mm)
AWG# 28	錫メッキ軟銅線 TINNED ANNEALED COPPER	7/0.127	0.38	0.6

- ELV及RoHS適合品
ELV AND RoHS COMPLIANT
- OPTIONAL TOOL MARK FOR TOOL RECOGNITION PURPOSE
- APPLICABLE WIRE INSULATION DIAMETER AS REFERENCE

WIRE	INSULATION DIA. (mm)
AWG# 28	0.50~0.70
AWG# 30	

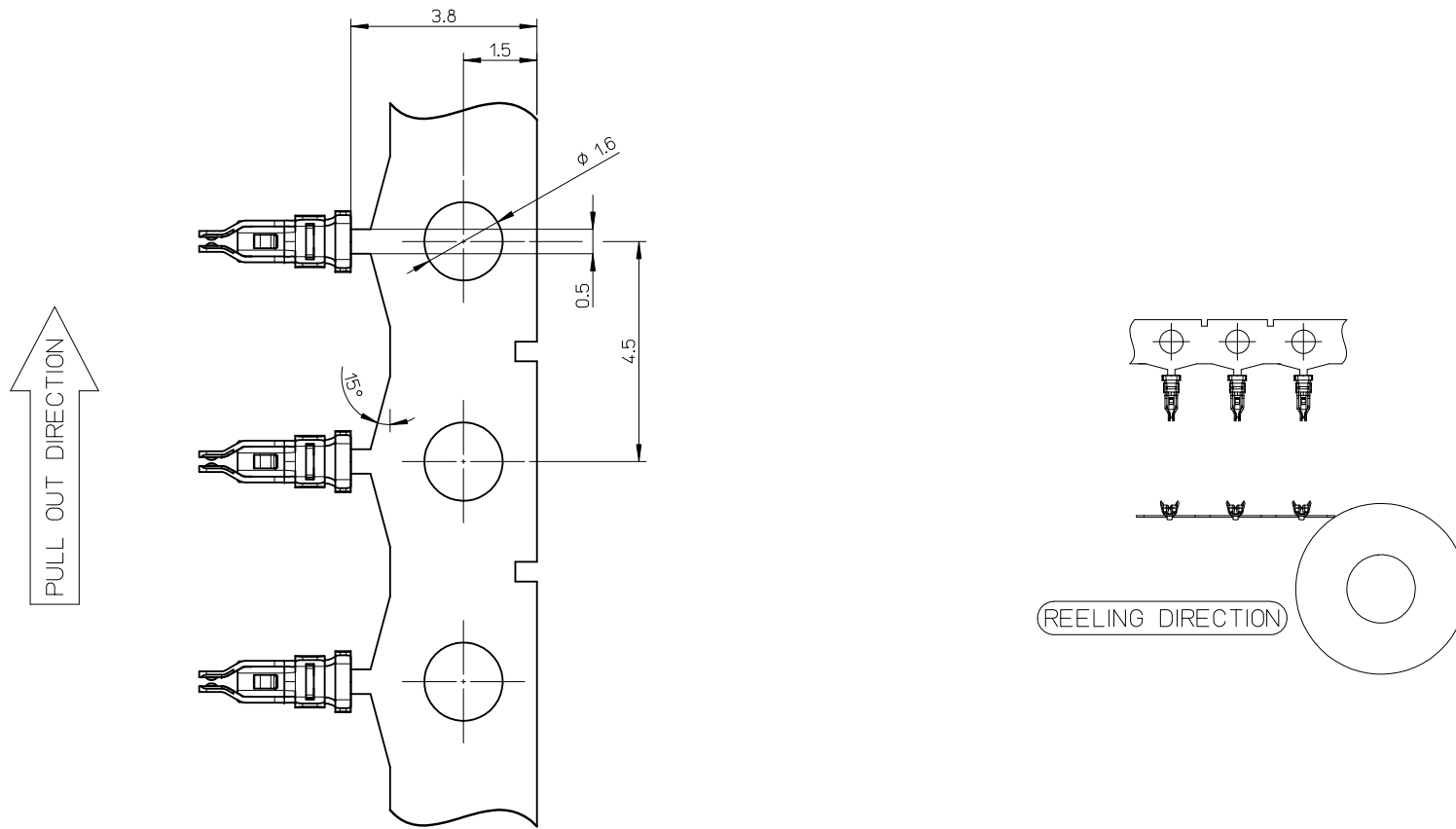
REVISED
EC NO: J2011-0660
DRAWN: CLAM 2010/11/08
CHKD:
APPR: NUKITA 2011/04/05

GENERAL TOLERANCES (UNLESS SPECIFIED)	
10 UNDER	± 0.30
10 OVER 30 UNDER	± ---
30 OVER	± ---
ANGULAR	± 1 °
DRAFT WHERE APPLICABLE MUST REMAIN WITHIN DIMENSIONS	

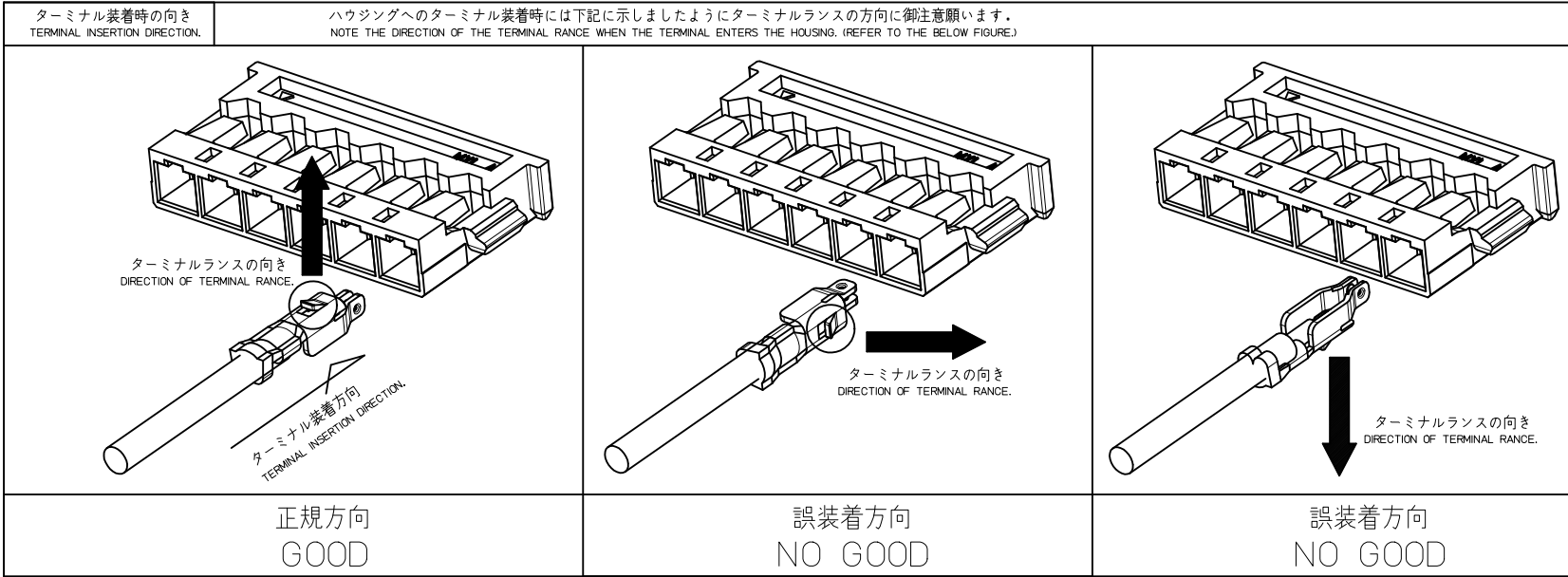
DIMENSION STYLE MM ONLY	
DRAWN BY	DATE
SSHIMONISHI	2008/04/07
CHECKED BY	DATE
HTAKASE	2008/04/07
APPROVED BY	DATE
NUKITA	2008/04/07
MATERIAL NO.	
SEE CHART	
SIZE	A3

CHAIN	78172-0411	78172-****
FORM	MATERIAL NO.	MODEL NO.

SCALE	DESIGN UNITS	THIRD ANGLE PROJECTION
20:1	METRIC	⊙ □
TITLE		
1.20MM PITCH, W-T-B RECEPTACLE CONNECTOR TERMINAL		
MOLEX INCORPORATED		
DOCUMENT NO.	SHEET NO.	
SD-78172-009	1 OF 3	
THIS DRAWING CONTAINS INFORMATION THAT IS PROPRIETARY TO MOLEX INCORPORATED AND SHOULD NOT BE USED WITHOUT WRITTEN PERMISSION		



REVISED EC NO: J2011-0660 DRWN: CILAM 2010/11/08 CHKD: APPR: NUKITA 2011/04/05	GENERAL TOLERANCES (UNLESS SPECIFIED)		DIMENSION STYLE MM ONLY	SCALE 1:1	DESIGN UNITS METRIC	THIRD ANGLE PROJECTION
	10 UNDER	± 0.30	DRAWN BY SSHIMONISHI	DATE 2008/04/07	TITLE 1.20MM PITCH, W-T-B RECEPTACLE CONNECTOR TERMINAL	
	10 OVER 30 UNDER	± ---	CHECKED BY HTAKASE	DATE 2008/04/07	MOLEX INCORPORATED	
	30 OVER	± ---	APPROVED BY NUKITA	DATE 2008/04/07	MATERIAL NO. SEE SHEET 1	DOCUMENT NO. SD-78172-009
ANGULAR ± 1 °		DRAFT WHERE APPLICABLE MUST REMAIN WITHIN DIMENSIONS		THIS DRAWING CONTAINS INFORMATION THAT IS PROPRIETARY TO MOLEX INCORPORATED AND SHOULD NOT BE USED WITHOUT WRITTEN PERMISSION		



REVISED EC NO: J2011-0660 DRWN: C/LAM CHKD: APPR: NUKITA 2010/11/08 2011/04/05	GENERAL TOLERANCES (UNLESS SPECIFIED)		DIMENSION STYLE MM ONLY	SCALE 1:1	DESIGN UNITS METRIC	THIRD ANGLE PROJECTION	
	10 UNDER	± 0.30	DRAWN BY SSHIMONISHI	DATE 2008/04/07	TITLE 1.20MM PITCH, W-T-B RECEPTACLE CONNECTOR TERMINAL		
	10 OVER 30 UNDER	± ---	CHECKED BY HTAKASE	DATE 2008/04/07	MOLEX INCORPORATED		
	30 OVER	± ---	APPROVED BY NUKITA	DATE 2008/04/07	MATERIAL NO. SEE SHEET 1	DOCUMENT NO. SD-78172-009	SHEET NO. 3 OF 3
ANGULAR ±1 °		DRAFT WHERE APPLICABLE MUST REMAIN WITHIN DIMENSIONS		THIS DRAWING CONTAINS INFORMATION THAT IS PROPRIETARY TO MOLEX INCORPORATED AND SHOULD NOT BE USED WITHOUT WRITTEN PERMISSION			