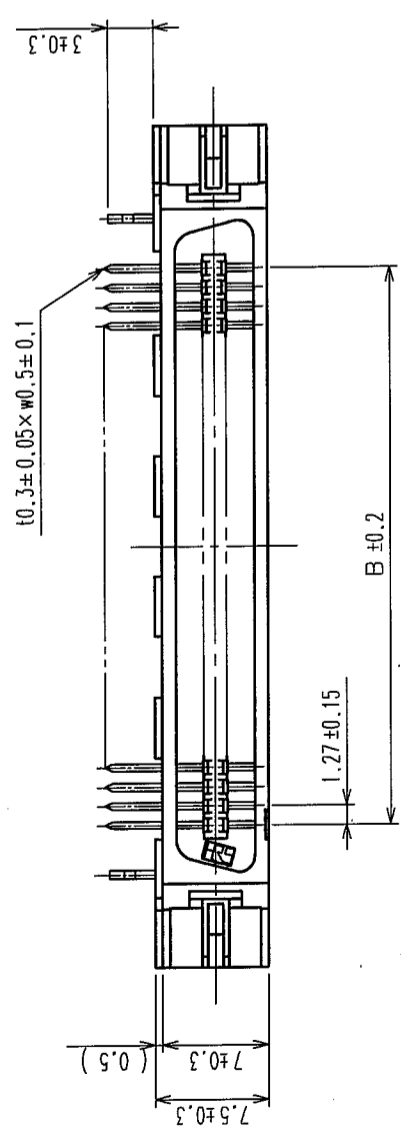
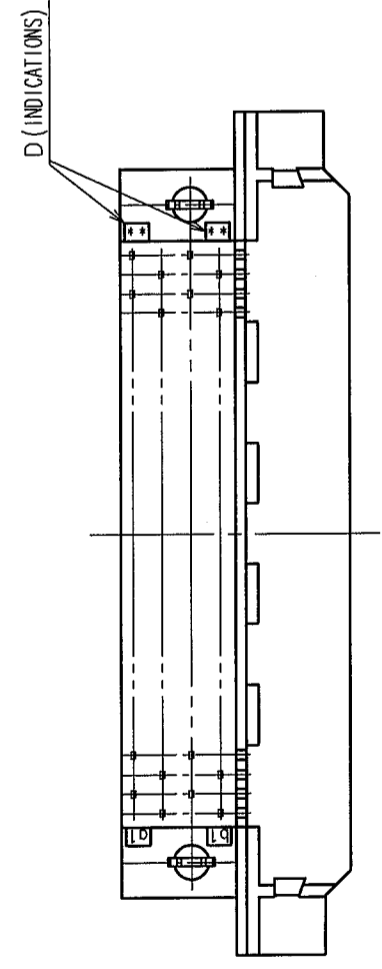
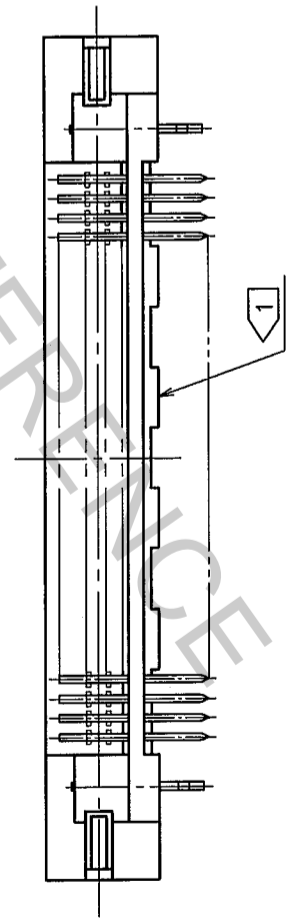
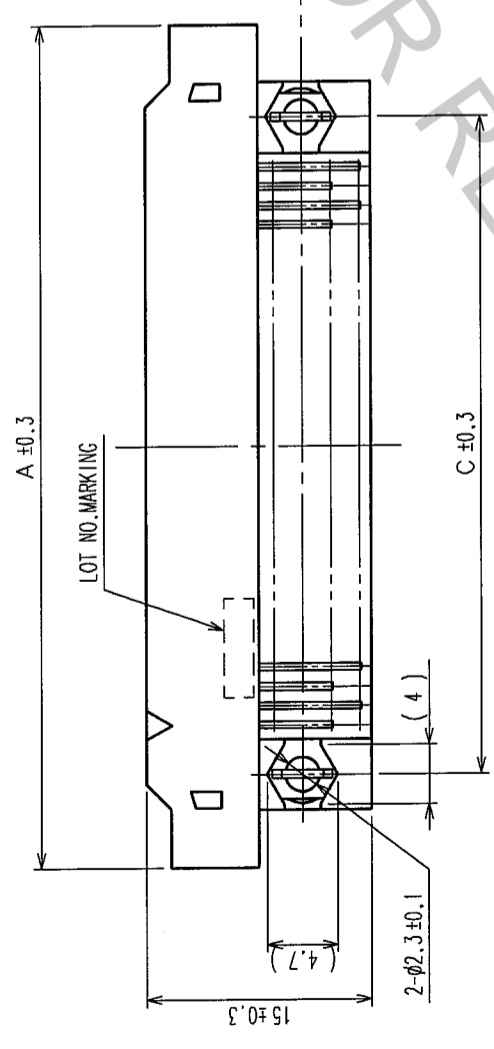
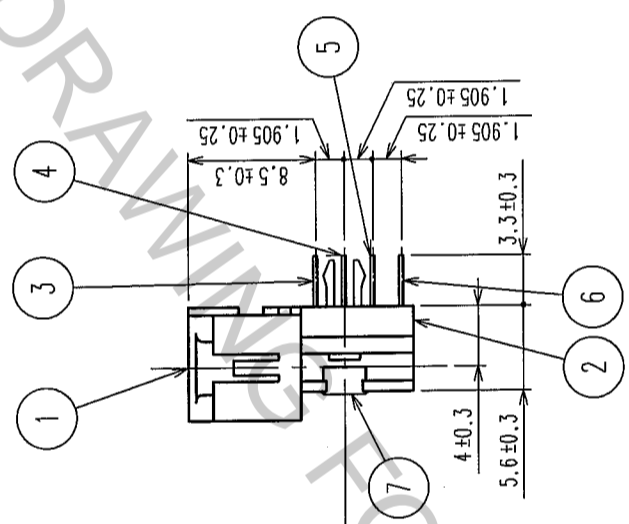
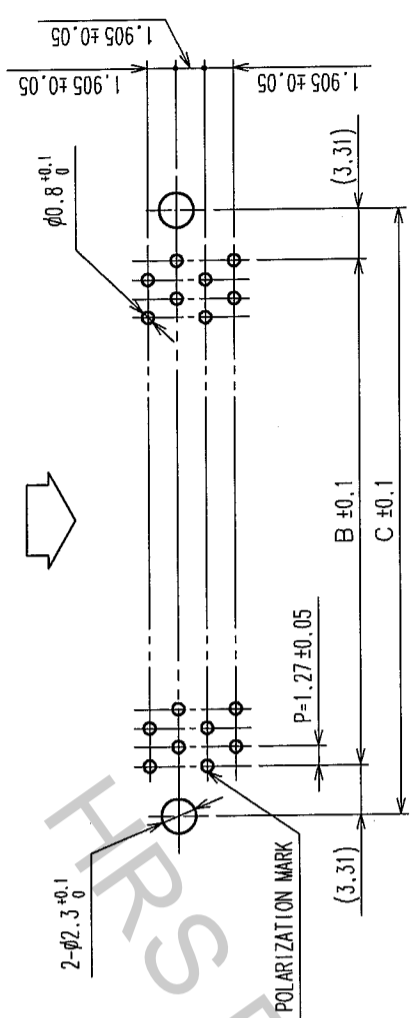


COUNT		DESCRIPTION OF REVISIONS		BY	CHKD	DATE	COUNT		DESCRIPTION OF REVISIONS		BY	CHKD	DATE
△	△						△	△					
△	△						△	△					
△	△						△	△					



RECOMMEND PC BOARD HOLE PATTERN (MOUNTING SIDE)

MATING SIDE



PART No.	CODE No.	A	B	C	D
FX2B-20PA-1.27DSL(71)	CL572-0771-5-71	20	30.33	11.43	18.05
FX2B-32PA-1.27DSL(71)	CL572-0772-8-71	32	37.95	19.05	25.67
FX2B-40PA-1.27DSL(71)	CL572-0773-0-71	40	43.03	24.13	30.75
FX2B-52PA-1.27DSL(71)	CL572-0774-3-71	52	50.65	31.75	38.37
FX2B-60PA-1.27DSL(71)	CL572-0775-6-71	60	55.73	36.83	43.45
FX2B-68PA-1.27DSL(71)	CL572-0776-9-71	68	60.81	41.91	48.53
FX2B-80PA-1.27DSL(71)	CL572-0777-1-71	80	68.43	49.53	56.15
FX2B-100PA-1.27DSL(71)	CL572-0778-4-71	100	81.13	62.23	68.85

NOTES
 1 STANDOFF DIFFERS ACCORDING TO PRODUCTS.
 2 NUMBER OF PIN.
 3. THE DIMENSIONS IN PARENTHESES ARE FOR REFERENCE.

7		3~6		BRASS		CONTACT AREA: GOLD FLASH	
PHOSPHOR BRONZE		TIN-PLATING		DIP AREA: TIN-PLATING 2μm min		UNDER PLATING: NICKEL 1μm min	
1,2 POLYAMIDE		BLACK		UL94V-0			
NO.	MATERIAL	FINISH,	REMARKS	NO.	MATERIAL	FINISH,	REMARKS
CODE NO. (COLD)				DRAWN			
CL				I. OKAYAMA			
				04.06.02			
				04.06.02			
				04.06.14			
				04.06.14			
DRAWING NO.				PART NO.			
EDC3-151041-21				FX2B-※PA-1.27DSL(71)			
SCALE				CODE NO.			
FREE				CL572			
UNITS							
mm							

TO
PCK