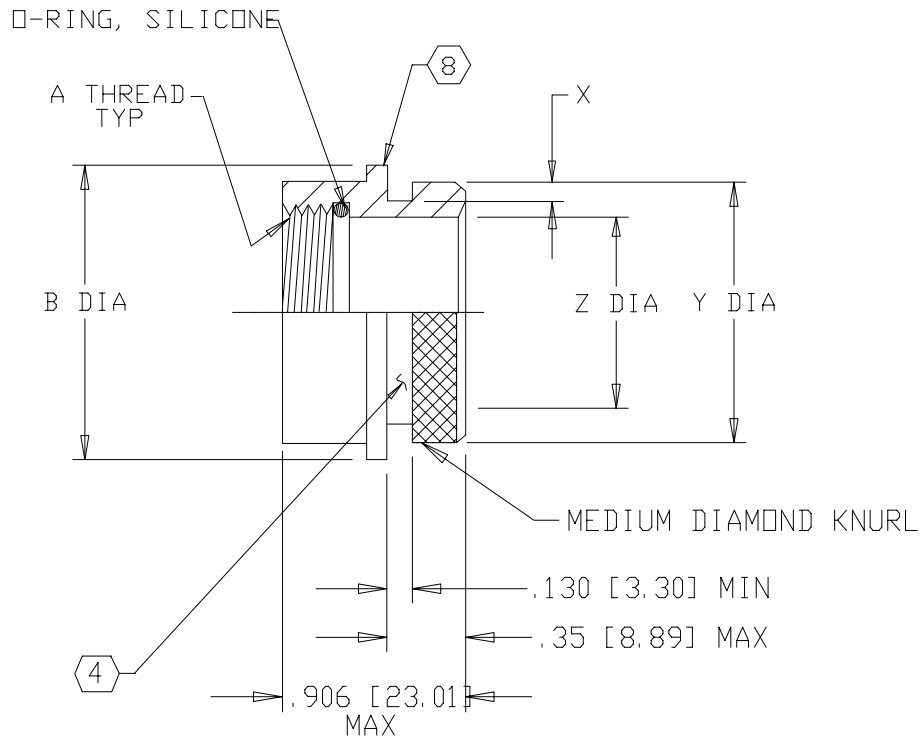


REVISIONS			
LTR	DESCRIPTION	DATE	APPROVED
G	REVISED PER ECN AD93042		



- NOTES:
- THIS PRODUCT IS DESIGNED TO TERMINATE A HEAT SHRINKABLE LIPPED BOOT TO A CONNECTOR.
 - FOR ADDITIONAL DIMENSIONS, ORDERING INFORMATION AND MODIFICATIONS, SEE CH00-0250-004.
 - ADAPTER TO BE PERMANENTLY MARKED WITH CODE IDENT. NO. AND PART NO. (E.G.: 06090-218M512-19B).
 - KNURL INSIDE BOOT GROOVE MAY BE SUPPLIED AT MANUFACTURER'S OPTION.
 - ALL THREAD SIZES FOR ORDER APPLY.
 - ADDITIONAL PIECE(S) SUPPLIED WHEN CONNECTOR MFR IS UNKNOWN (D IN TABLE II).
 - ADAPTER MATES TO MIL-C-5015D, MS3100 SERIES, CLASS A, E & R, MS3100, MS3101 AND MS3107.
 - OPTIONAL DESIGN FEATURE WHEN REQUIRED TO ALLOW SUFFICIENT SHOULDER FORWARD OF BOOT GROOVE.

If this document is printed it becomes uncontrolled.
Check for the latest revision.

SPECIFICATION CONTROL DRAWING

UNLESS OTHERWISE SPECIFIED DIMENSIONS ARE IN INCHES. METRIC DIMENSIONS ARE IN BRACKETS. DECIMALS .XXX ± — [mm] .XX ± — [mm] .X ± — [mm] ANGLES .X ± —	DRAWN E. GOLDY	DATE 05-10-93		Tyco Electronics Corporation 300 Constitution Drive Menlo Park, CA. 94025 U.S.A.		
	CHECKED	DATE				
	APPROVED	DATE	TITLE ADAPTER, SPIN COUPLING CODE 18			
	APPROVED	DATE				
	CAD NAME \ACAD12\218M5XX		SIZE A	CODE IDENT. NO. 06090	DWG. NO. 218M5XX	REV G
	THIRD ANGLE PROJECTION		DO NOT SCALE THIS DWG		SHEET 1 OF 3	

TABLE I

BASE PART NO.	SHELL SIZE ⑦	MFR CODE TABLE III	A THREAD CLASS 2B	B DIA MAX	Z DIA MIN	X MIN	Y DIA		
							+ .000 [+0.00]	- .030 [- 0.76]	
218M508	8S	B	.375-32 UNEF	.79 [20.1]	.245 [6.22]	.044 [1.11]	.518 [13.16]		
		C	.438-28 UNEF		.307 [7.80]				
		A,R	.438-27 UNS		.307 [7.80]				
		D ⑥	⑤		.307 [7.80]				
218M510	10S	—	.500-28 UNEF	.79 [20.1]	.370 [9.40]		.590 [14.99]		
218M511	10SL	C	.562-24 UNEF	.91 [23.1]	.433 [11.00]		.590 [14.99]		
		A,B,R	.625-24 UNEF		.495 [12.57]		.759 [19.28]		
		D ⑥	⑤		.433 [11.00]		.759 [19.28]		
218M512	12&12S	B,C	.625-24 UNEF	.91 [23.1]	.495 [12.57]		.759 [19.28]		
		A,R	.688-24 UNEF		.97 [24.6]				.557 [14.15]
		D ⑥	⑤		.97 [24.6]				.495 [12.57]
218M514	14&14S	—	.750-20 UNEF	1.04 [26.4]	.620 [15.75]		.823 [20.91]		
218M516	16&16S	—	.875-20 UNEF	1.16 [29.5]	.745 [18.92]		.948 [24.08]		
218M518	18	—	1.000-20 UNEF	1.29 [32.8]	.807 [20.50]	.044 [1.11]	1.026 [26.07]		
218M520	20	A,B,C	1.125-18 UNEF	1.41 [35.8]	.995 [25.27]	.069 [1.75]	1.340 [34.04]		
		R	1.125-24 UNS						
		D ⑥	⑤						
218M522	22	—	1.250-18 UNEF	1.54 [39.1]	1.120 [28.45]	.069 [1.75]	1.428 [36.28]		
218M524	24	—	1.375-18 UNEF	1.66 [42.2]	1.245 [31.62]	.069 [1.75]	1.594 [40.49]		
218M528	28	—	1.625-18 UNEF	1.91 [48.5]	1.370 [34.80]	.086 [2.18]	1.694 [43.03]		
218M532	32	B,C	1.875-16 UN	2.16 [54.9]	1.620 [41.15]		1.904 [48.37]		
		A,R	1.906-18 UN						
		D ⑥	⑤						
218M536	36	B	2.062-16 UNS	2.41 [61.2]	1.870 [47.50]		2.154 [54.72]		
		R	2.062-20 UNS						
		C	2.125-16 UN						
		A	2.125-18 UNS						
		D ⑥	⑤						
218M540	40	B	2.312-16 UNS	2.66 [67.6]	2.120 [53.85]		2.387 [60.63]		
		A,C,R	2.375-16 UN						
		D ⑥	⑤						
218M544	44	—	2.625-16 UN	2.94 [74.68]	2.370 [60.20]		2.642 [67.11]		
218M548	48	C	2.812-18 UNS	3.19 [81.03]	2.620 [66.55]	.086 [2.18]	2.892 [73.46]		
		A,R	2.875-16 UN						
		D ⑥	⑤						

If this document is printed it becomes uncontrolled.
Check for the latest revision.

SIZE	CODE IDENT. NO.	DWG. NO.	REV
A	06090	218M5XX	G
DO NOT SCALE THIS DWG		CAD NAME \ACAD12\218M5X-2	SHEET 2 OF 3

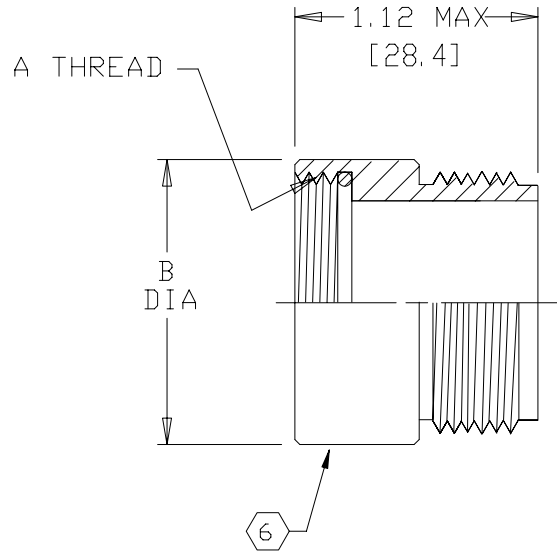


FIGURE A

TABLE II

MFR CODE	CONNECTOR MANUFACTURER (MS3100, MS3101, MS3106 & MS3107)
A	AMPHENOL-CLASS A
B	BENDIX-CLASS A, E & R
C	CANNON-CLASS A, E & R
D	MFR UNKNOWN, CLASS A, E & R
R	AMPHENOL-CLASS R
-	MFR CODE NOT REQUIRED

If this document is printed it becomes uncontrolled.
Check for the latest revision.

SIZE	CODE IDENT. NO.	DWG. NO.	REV
A	06090	218M5XX	G
DO NOT SCALE THIS DWG		CAD NAME \ACAD12\218M5X-2	SHEET 3 OF 3