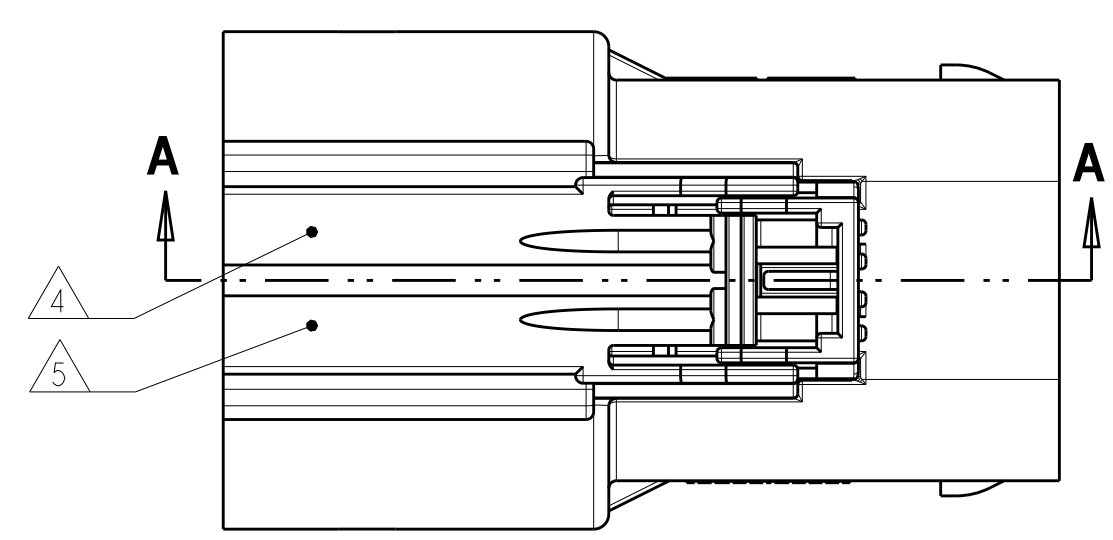
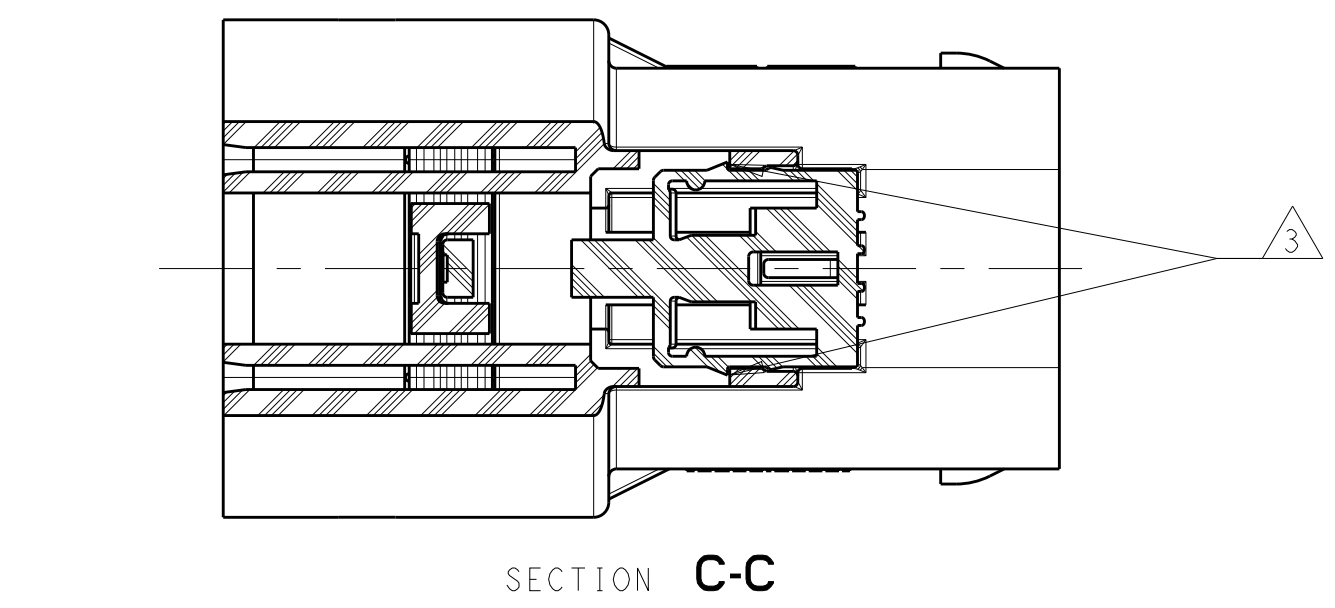
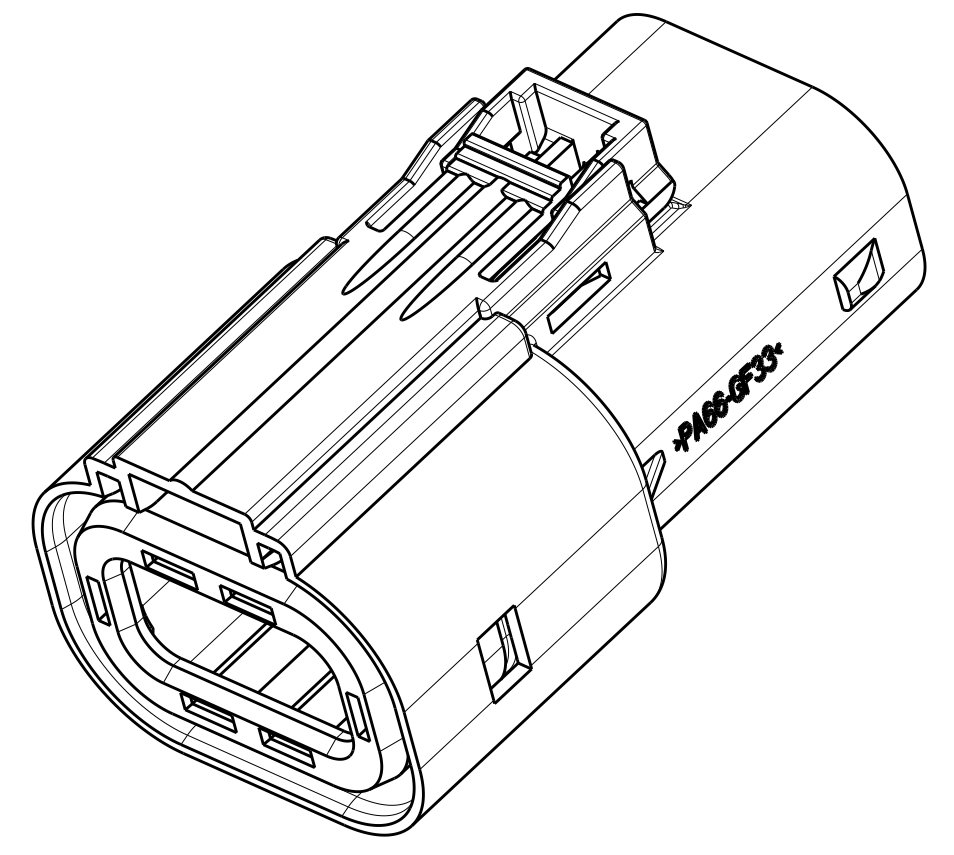
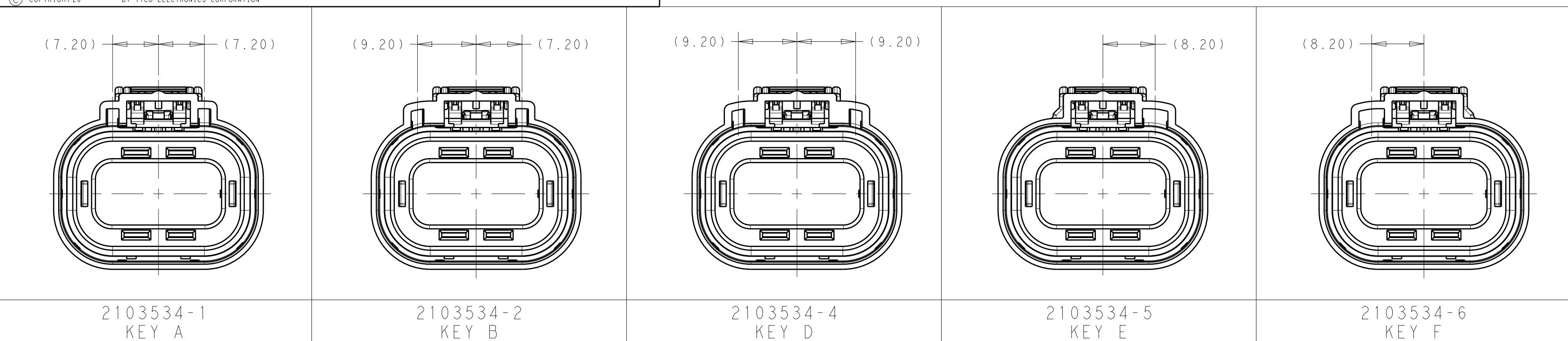
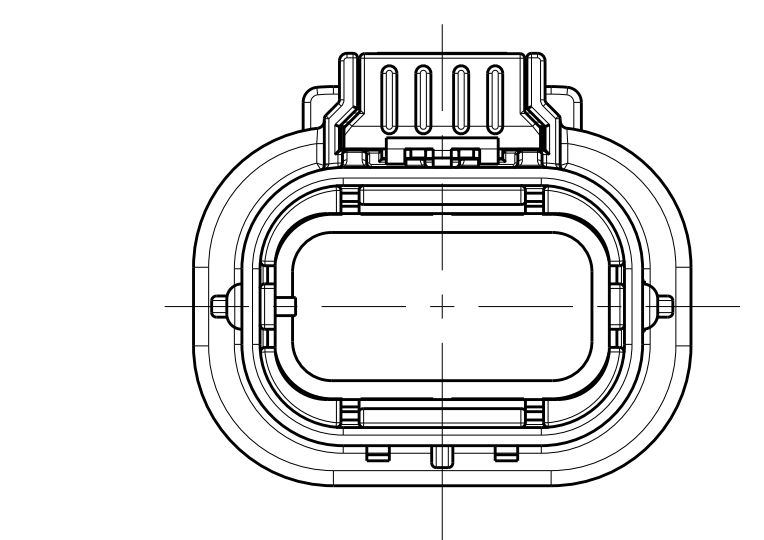
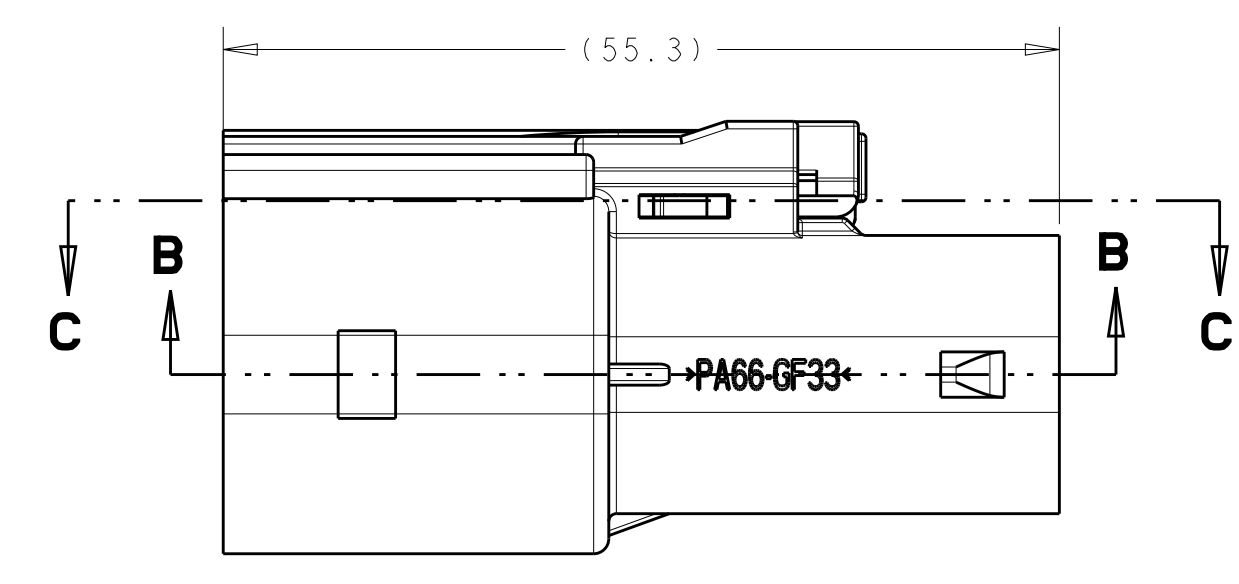
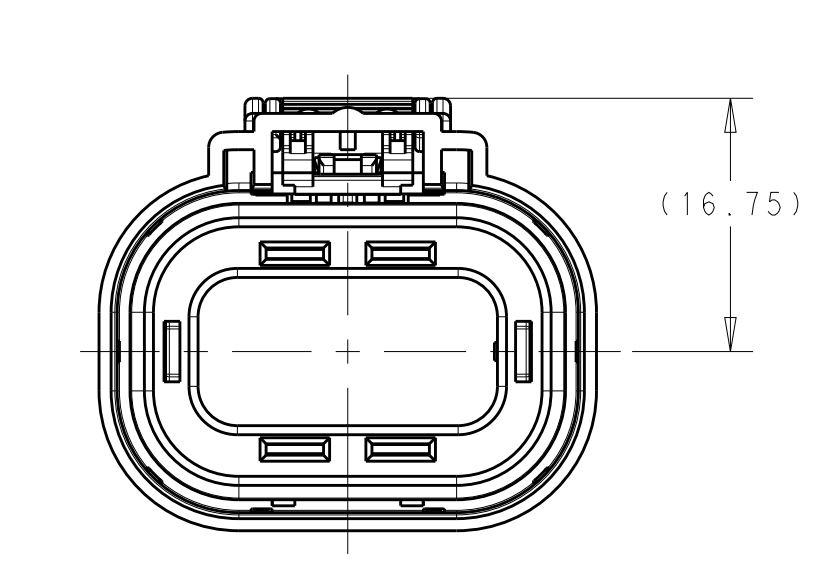


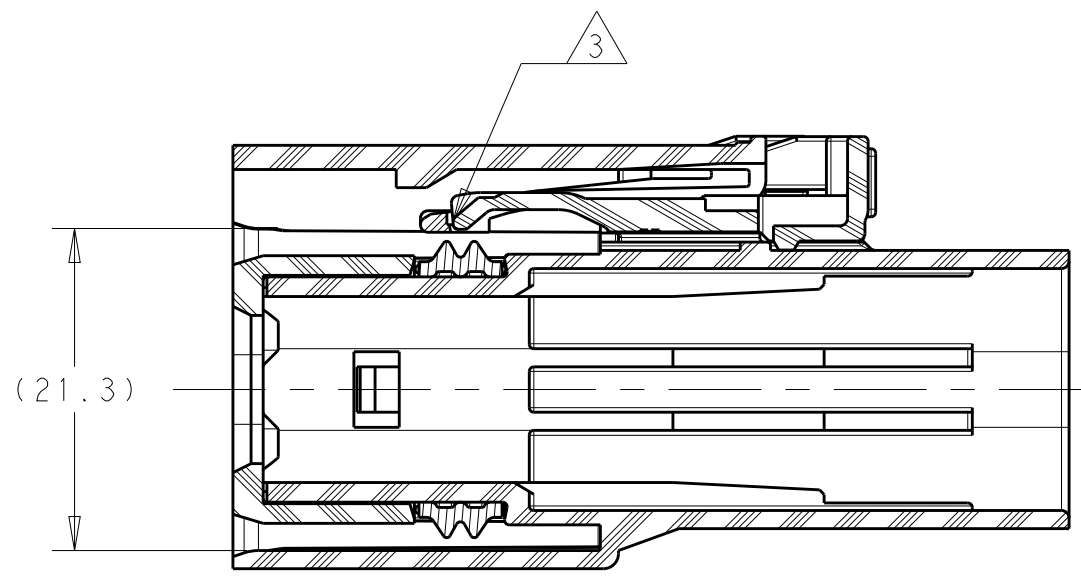
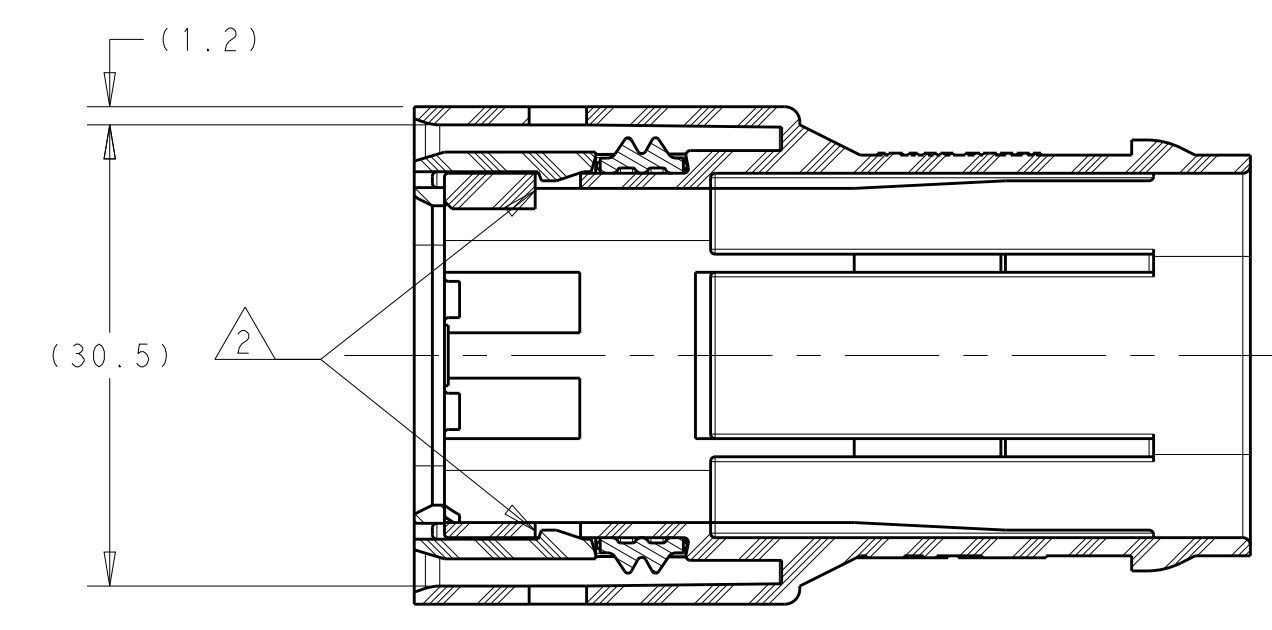
LOC	DIST	REVISIONS			
P	LTN	DESCRIPTION	DATE	DWN	APVD
A		ECO-14-001314	27JAN2014	DR	DR



- 1. CONNECTOR MUST BE FREE OF ANY MECHANICAL DEFECTS WHICH COULD NEGATIVELY AFFECT FIT, FUNCTION, OR PERFORMANCE
- 2 PERIPHERAL SEAL RETAINER MUST BE FULLY LOCKED IN TWO LOCATIONS INTO OUTER HOUSING
- 3 CPA MUST BE INSTALLED IN PRE-STAGE POSITION AS SHOWN
- 4 JULIAN DATE CODE IN THIS LOCATION AT ASSEMBLY
- 5 TE PART NUMBER IN THIS LOCATION AT ASSEMBLY (VARIABLE)



2103534-1 SHOWN



INDEX CODE	WEIGHT	PART NO
F	14.39 g	2103534-6
E	14.30 g	2103534-5
D	14.64 g	2103534-4
B	14.62 g	2103534-2
A	14.48 g	2103534-1

THIS DRAWING IS A CONTROLLED DOCUMENT.

DWN: D. RHEIN 04SEP2013
 CHK: D. RHEIN 04SEP2013
 APVD: A. GUANCO 04SEP2013

TE Connectivity

NAME: PLUG SUB-ASSEMBLY HVA280

SIZE: A1 CAGE CODE: 100779 DRAWING NO: 2103534

RESTRICTED TO: Customer Drawing

SCALE: 2:1 SHEET 1 OF 1 REV A