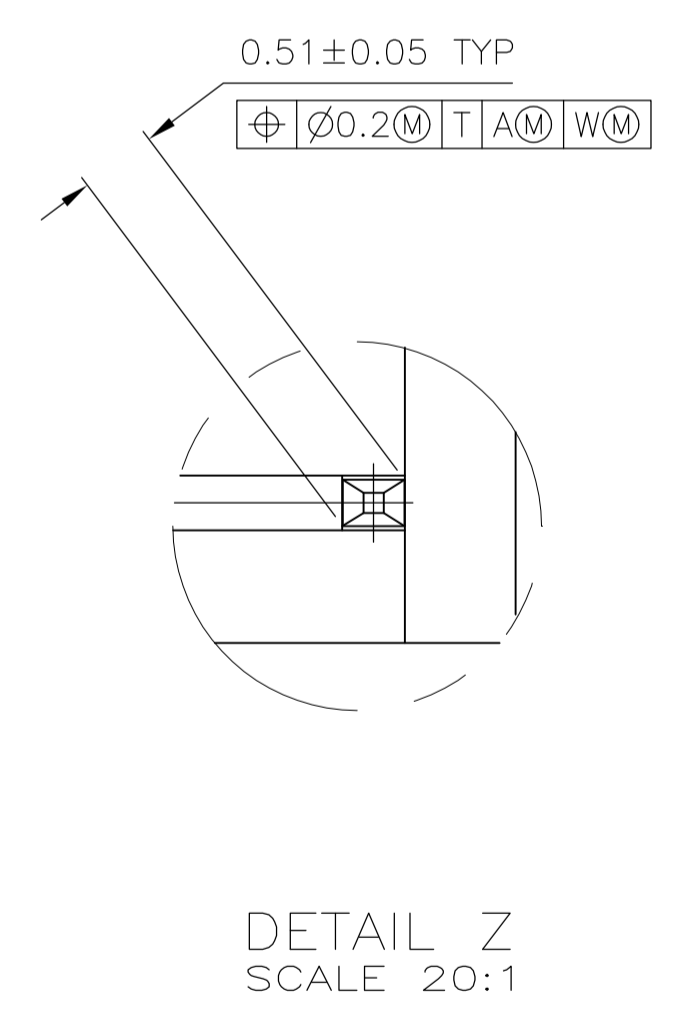


RECOMMENDED CIRCUIT PATTERN
PER IPC-D300 TYPE II, CLASS C
(COMPONENT SIDE)

- 1 HOUSING MATERIAL: LIQUID CRYSTAL POLYMER.
- 2 CONTACT MATERIAL: PHOSPHOR-BRONZE.
- 3 CONTACT FINISH:(D)
UNDERPLATE (ENTIRE CONTACT):
0.00127 MIN NICKEL PER SAE-AMS-QQ-N-290
ON MATING SURFACES:
FLASH GOLD PER ASTM B 488, OVER
0.00076 MIN PALLADIUM-NICKEL OVER UNDERPLATE, OR
0.00076 MIN GOLD [ER ASTM B 488 OVER UNDERPLATE.
ON LEADS:
0.00381 MIN MATTE TIN PER ASTM B 545 OVER UNDERPLATE.
LUBRICATION (MIN MATING SURFACES):
SURFACE CONDITIONER AFTER PLATING.



10	5	6	1	11.88	3	8	5536607-1
E	D	C	B	A	FINISH	NO OF POSN	PART NUMBER
THIS DRAWING IS A CONTROLLED DOCUMENT.		DIN D.R.BENDER 08/10/92		STE TE Connectivity			
DIMENSIONS: mm		TOLERANCES UNLESS OTHERWISE SPECIFIED:		NAME: Z-PACK 2mm FB, POWER MODULE, RCPT. ASS'Y. 4 ROW, 2.73 mm LEAD LENGTH			
0 PLC ± -		1 PLC ± -		PRODUCT SPEC			
1 PLC ± -		2 PLC ± .13		APPLICATION SPEC			
2 PLC ± -		3 PLC ± -		SIZE CASE CODE DRAWING NO			
3 PLC ± -		4 PLC ± -		WEIGHT			
ANGLES ± -		FINISH		A1 00779 C=5536607			
MATERIAL		FINISH		CUSTOMER DRAWING			
1		2		3		SCALE 4:1 SHEET 1 OF 1 REV A3	