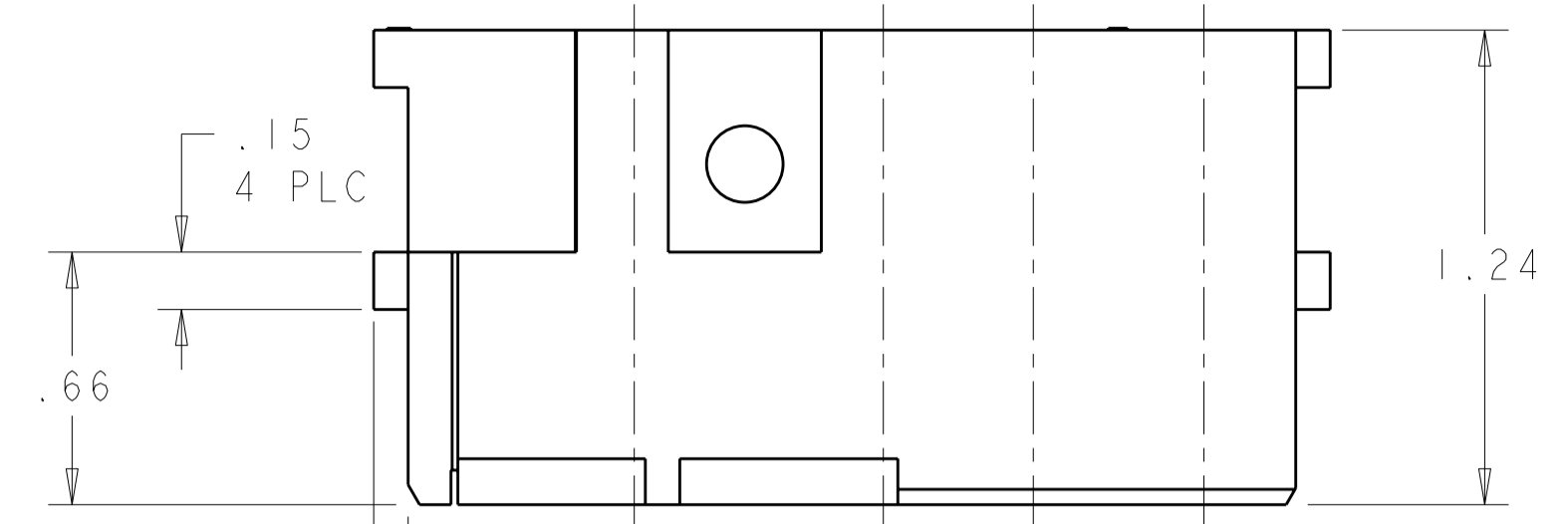
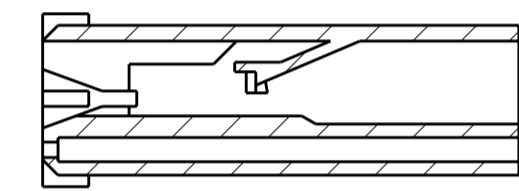
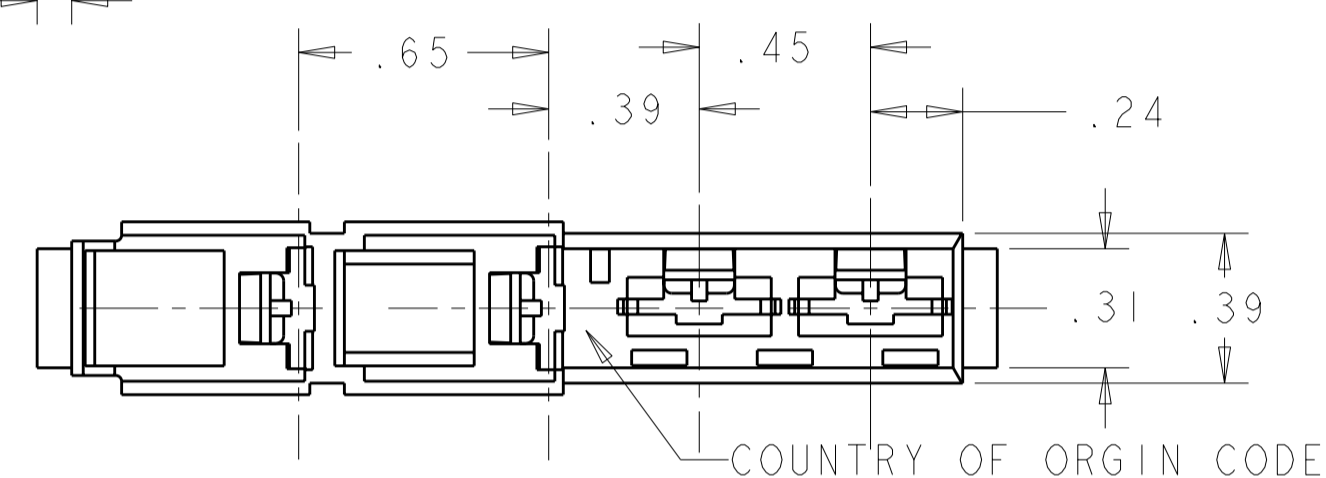
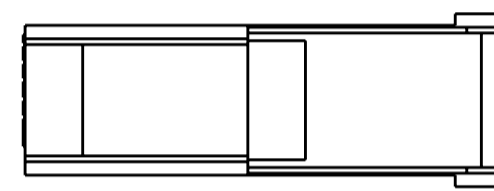


THIS DRAWING IS UNPUBLISHED. RELEASED FOR PUBLICATION 20  
 © COPYRIGHT 20 BY TYCO ELECTRONICS CORPORATION. ALL RIGHTS RESERVED.

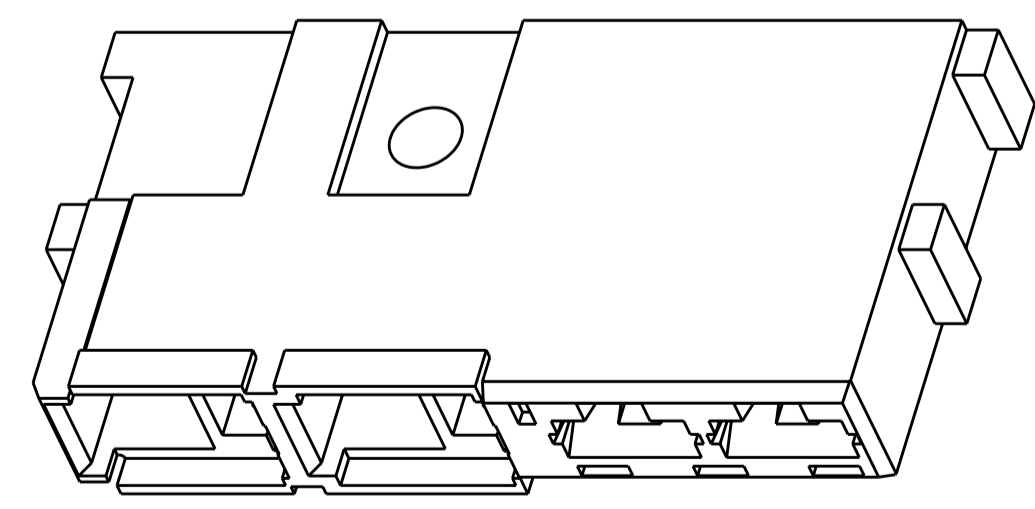
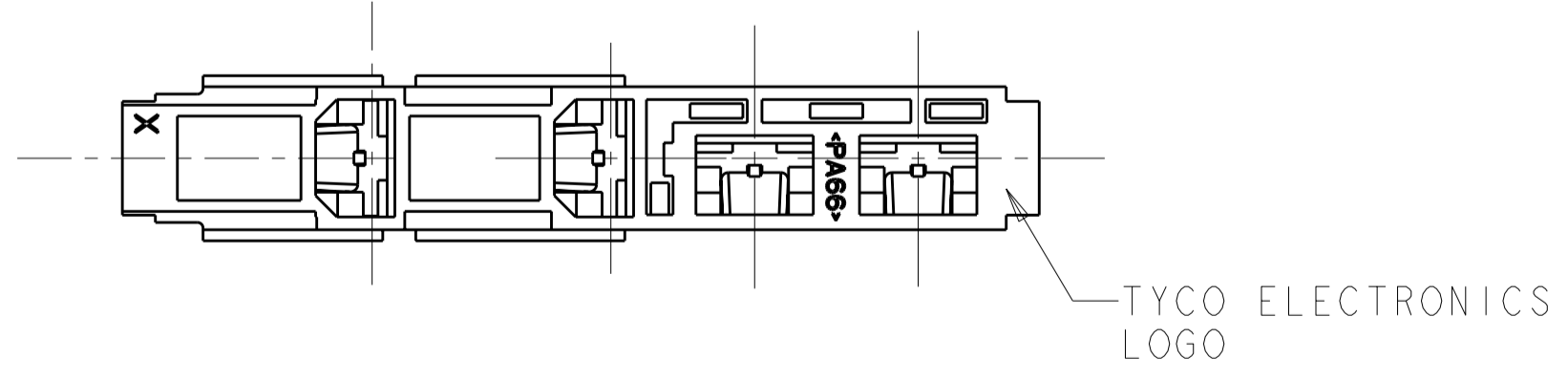
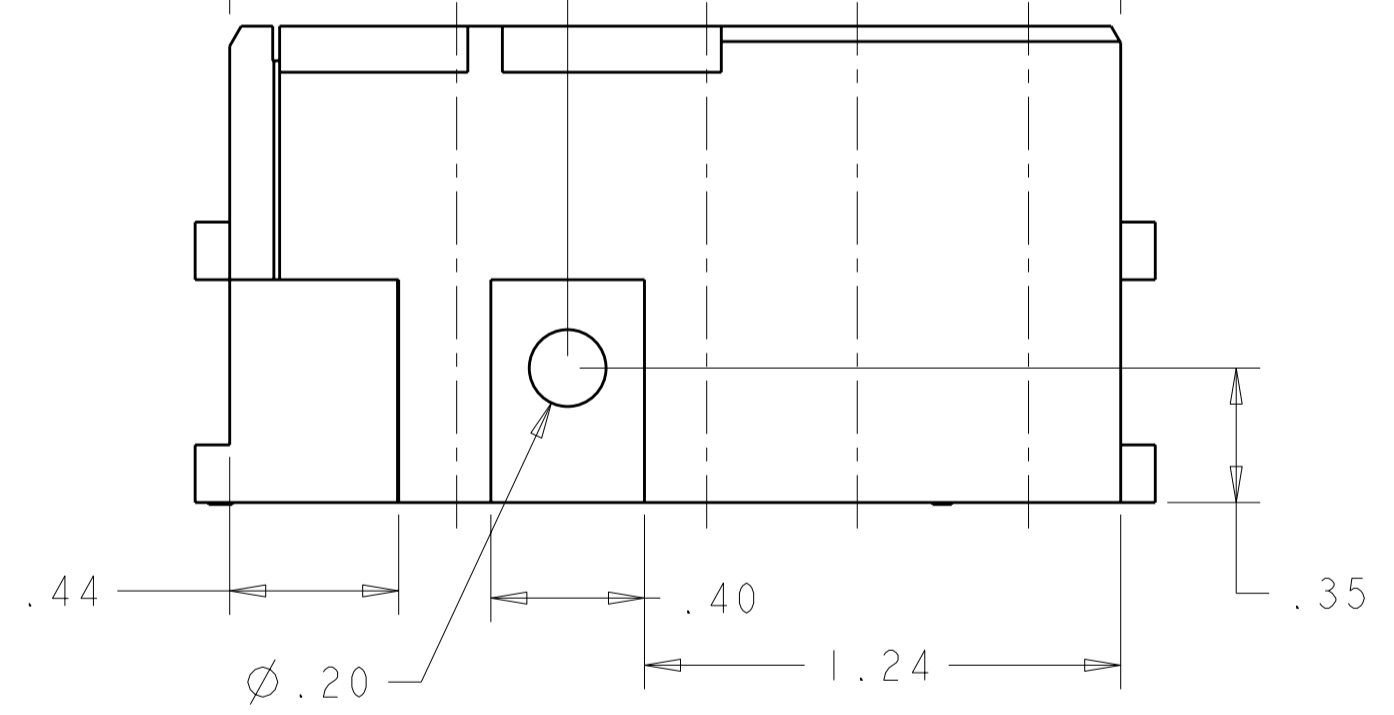
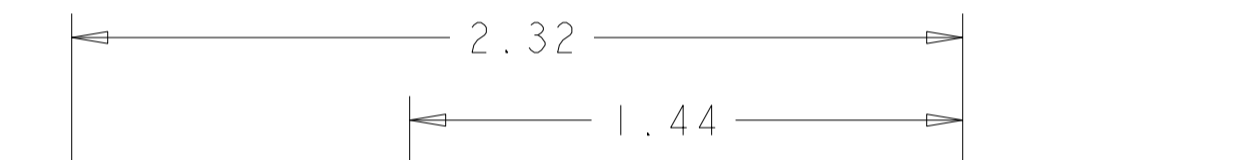
LOC	DIST	REVISIONS			
P	LTR	DESCRIPTION	DATE	DWN	APVD
AF	50	A3	REVISED PER ECR-09-010794	20AUG2009	HMR PD



- 1 THIS PART MATES WITH TABS 216843-1 & 167892-2
- 2 THE RECOMMENDED TAB ALIGNMENT IS +/- .003 IN THE X-AXIS (TAB THICKNESS) AND +/- .005 IN TH Y-AXIS ( TAB WIDTH ) IN ORDER TO MAINTAIN THE MATING FORCES AT A MINIMUM.



SECTION X-X



1969119-1  
PART NUMBER

<small>THIS DRAWING IS A CONTROLLED DOCUMENT FOR TYCO ELECTRONICS CORPORATION IT IS SUBJECT TO CHANGE AND THE CONTROLLING ENGINEERING ORGANIZATION SHOULD BE CONTACTED FOR THE LATEST REVISION.</small>		DWN	JR RUTH	29MAR07	Tyco Electronics Harrisburg, PA 17105-3608
DIMENSIONS: INCHES		CHK	T SMITH	29MAR07	
		APVD	M TRAN	29MAR07	
TOLERANCES UNLESS OTHERWISE SPECIFIED: 0 PLC ± 1 PLC ±0.1 2 PLC ±0.02 3 PLC ±0.005 4 PLC ±0.0005 ANGLES ±		PRODUCT SPEC	NAME		
MATERIAL		APPLICATION SPEC	4 POSITION FASTON RECEPTACLE HOUSING		
66 NYLON, V0		FINISH	WEIGHT	SIZE	
COLOR-NATURAL		66 NYLON, V0	-	A200779	
CUSTOMER DRAWING		SCALE	2:1	DRAWING NO	1969119
		SHEET	1	RESTRICTED TO	-
		OF	1	REV	A3