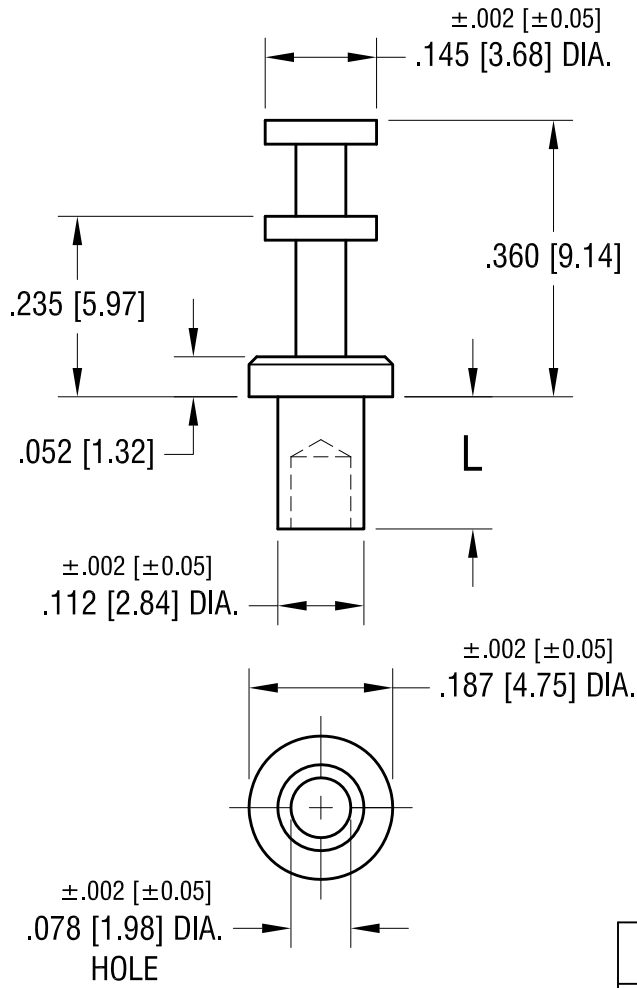


THIS DOCUMENT IS THE PROPERTY OF
KEYSTONE ELECTRONICS CORP. AND
SHALL NOT BE REPRODUCED, DISTRIBUTED
OR USED AS A BASIS FOR MANUFACTURE
WITHOUT PRIOR WRITTEN PERMISSION
FROM KEYSTONE ELECTRONICS CORP.



PART NO.	'L' DIM.
1503-1	.078 [1.98]
1503-2	.109 [2.77]
1503-3	.141 [3.58]
1503-4	.172 [4.37]

9.14.12	CHANGE AS PER ECN 12-142	C
8.30.12	CHANGE AS PER ECN 12-120	B
2.8.08	CHANGE AS PER ECN 08-076	A
DATE	DESCRIPTION	REV.

KEYSTONE ELECTRONICS CORP.
www.keyelco.com • ASTORIA, N.Y. 11105-2017 • Tel (718) 956-8900

PART NAME
SOLDER TERMINAL, DOUBLE TURRET

MATERIAL
BRASS

FINISH
TIN PLATE

DRN BY **BOONE** DATE **3.6.02**

APP'D **LN** SCALE **4X**

TOLERANCES INCH [MM]
DECIMAL **± .005 [± 0.15]**

ANGULAR **± 1°**
UNLESS OTHERWISE SPECIFIED

CODE **C** DWG NO. **1503-**